



US00D964280S

(12) **United States Design Patent** (10) **Patent No.:** **US D964,280 S**
Almeland (45) **Date of Patent:** **** Sep. 20, 2022**

(54) **FLOATING SUPPORT FOR OFFSHORE WIND TURBINE**

(71) Applicant: **AKER SOLUTIONS AS**, Lysaker (NO)

(72) Inventor: **Inge-Bertin Almeland**, Oslo (NO)

(73) Assignee: **AKER SOLUTIONS AS**, Lysaker (NO)

(**) Term: **15 Years**

(21) Appl. No.: **29/772,259**

(22) Filed: **Mar. 1, 2021**

(30) **Foreign Application Priority Data**

Sep. 2, 2020 (NO) 20200857

(51) **LOC (13) Cl.** **13-01**

(52) **U.S. Cl.**
USPC **D13/115; D15/141; D13/118**

(58) **Field of Classification Search**
USPC D13/101, 115, 118, 122, 184, 199;
D15/122, 138, 141
CPC ... B63B 35/44; B63B 2035/446; F03D 13/22;
F03D 13/25; F03D 1/06; F03D 1/0608;
Y02E 10/72; Y02E 10/727
See application file for complete search history.

(56) **References Cited**

U.S. PATENT DOCUMENTS

- 3,924,966 A * 12/1975 Taminini F03D 1/0608
416/177
- 4,025,824 A * 5/1977 Cheatham H02B 5/02
174/45 R
- 5,184,107 A * 2/1993 Maurer G01L 19/147
D13/101

- 8,662,793 B2 * 3/2014 Wong B63B 1/125
114/264
- D748,576 S * 2/2016 Guinard D13/115
- 9,415,842 B2 * 8/2016 Thieffry B63B 3/06
- D782,416 S * 3/2017 Paulin D13/115
- 9,964,097 B2 * 5/2018 Dagher E02B 17/027
- D838,243 S * 1/2019 Rits D13/115
- 10,683,065 B2 * 6/2020 Lepreux F16F 7/1034
- 10,766,578 B2 * 9/2020 Li B63B 35/4413
- 2006/0165493 A1 * 7/2006 Nim F03D 13/22
405/223.1
- 2020/0216148 A1 * 7/2020 Li B63B 35/4413
- 2022/0145573 A1 * 5/2022 Schuldt E02D 27/016

* cited by examiner

Primary Examiner — Derrick E Holland

(74) *Attorney, Agent, or Firm* — Norman B. Thot

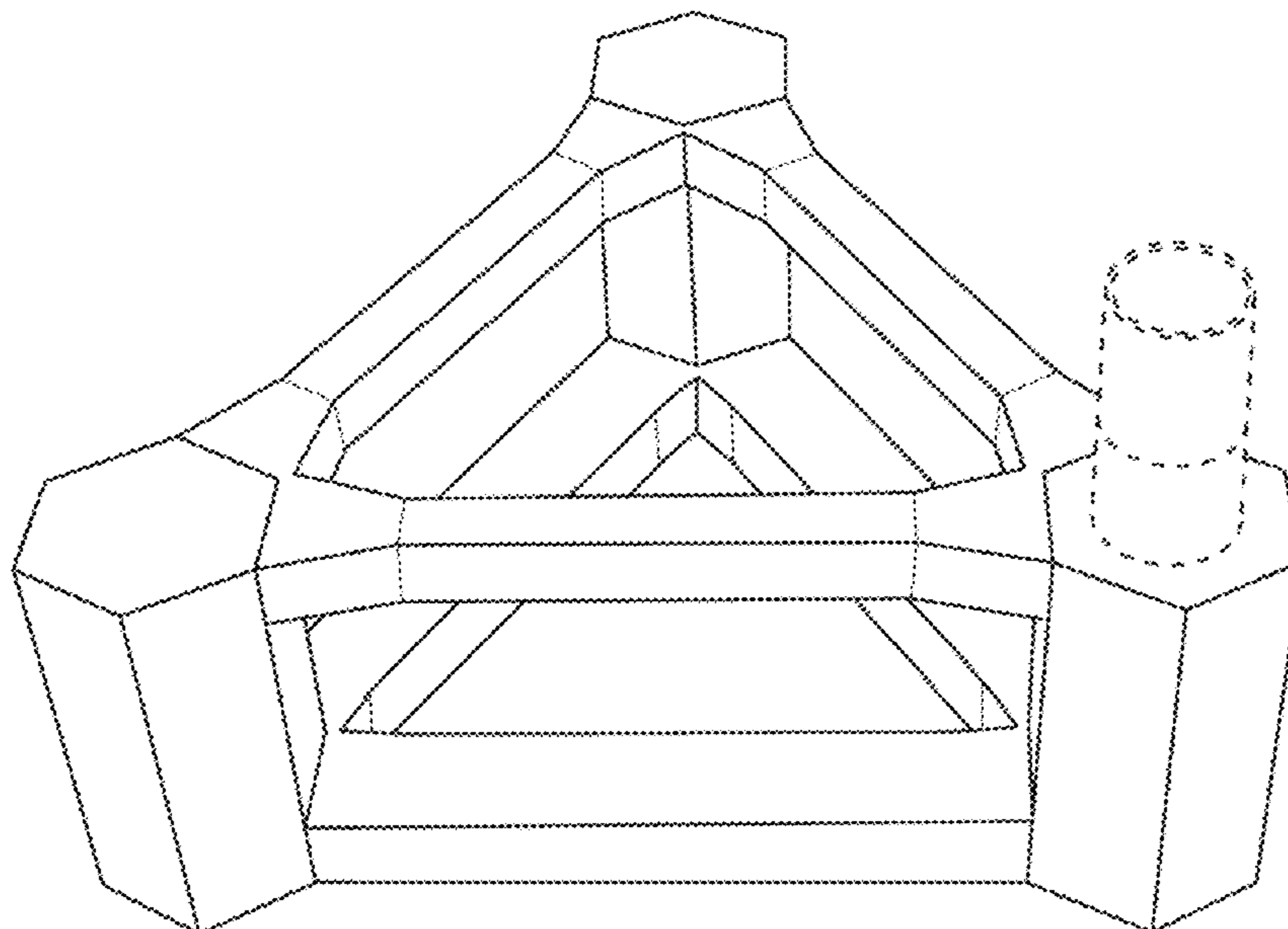
(57) **CLAIM**

The ornamental design for a floating support for offshore wind turbine, as shown and described.

DESCRIPTION

FIG. 1 is a first perspective view of a floating support for offshore wind turbine showing my new design;
 FIG. 2 is a second perspective view thereof;
 FIG. 3 is a third perspective view thereof, shown in environmental use;
 FIG. 4 is an enlarged perspective view of that shown in FIG. 3;
 FIG. 5 is an enlarged elevational view thereof;
 FIG. 6 is a top plan view thereof;
 FIG. 7 is a bottom plan view thereof;
 FIG. 8 is a bottom perspective view thereof, shown in environmental use; and,
 FIG. 9 is an enlarged perspective view of that shown in FIG. 8.
 The broken lines shown represent environmental subject matter and form no part of the claimed design.

1 Claim, 9 Drawing Sheets



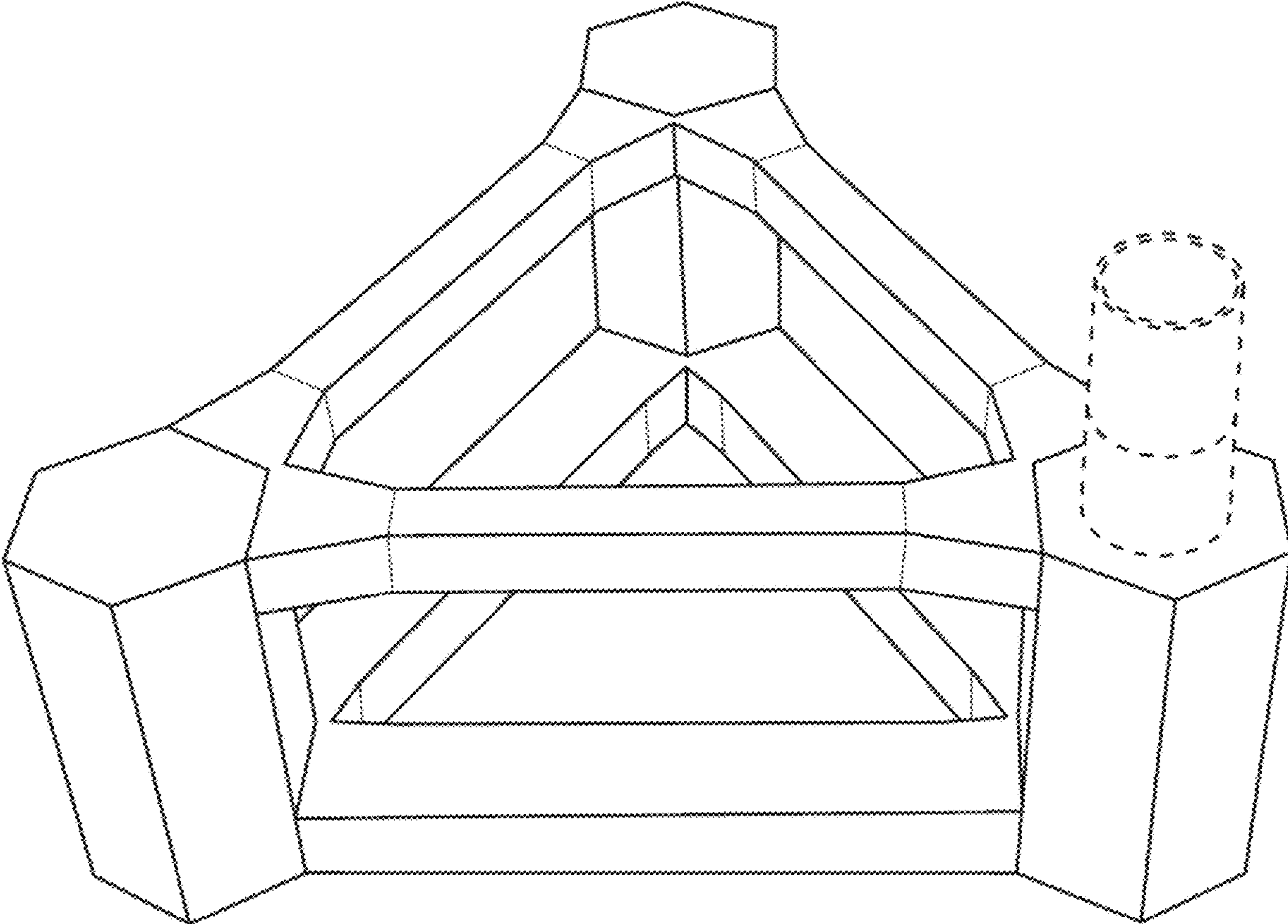


Fig. 1

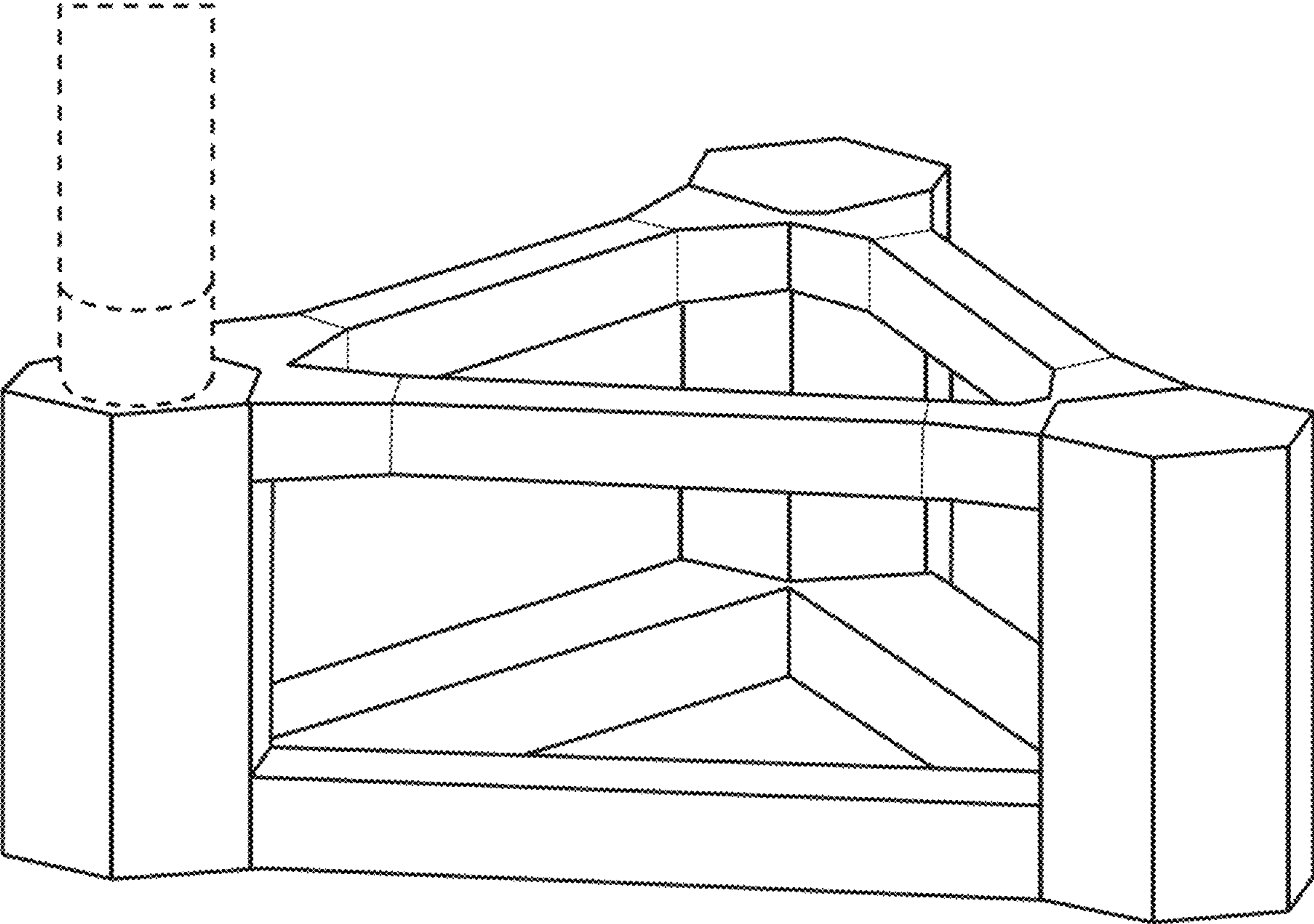


Fig. 2

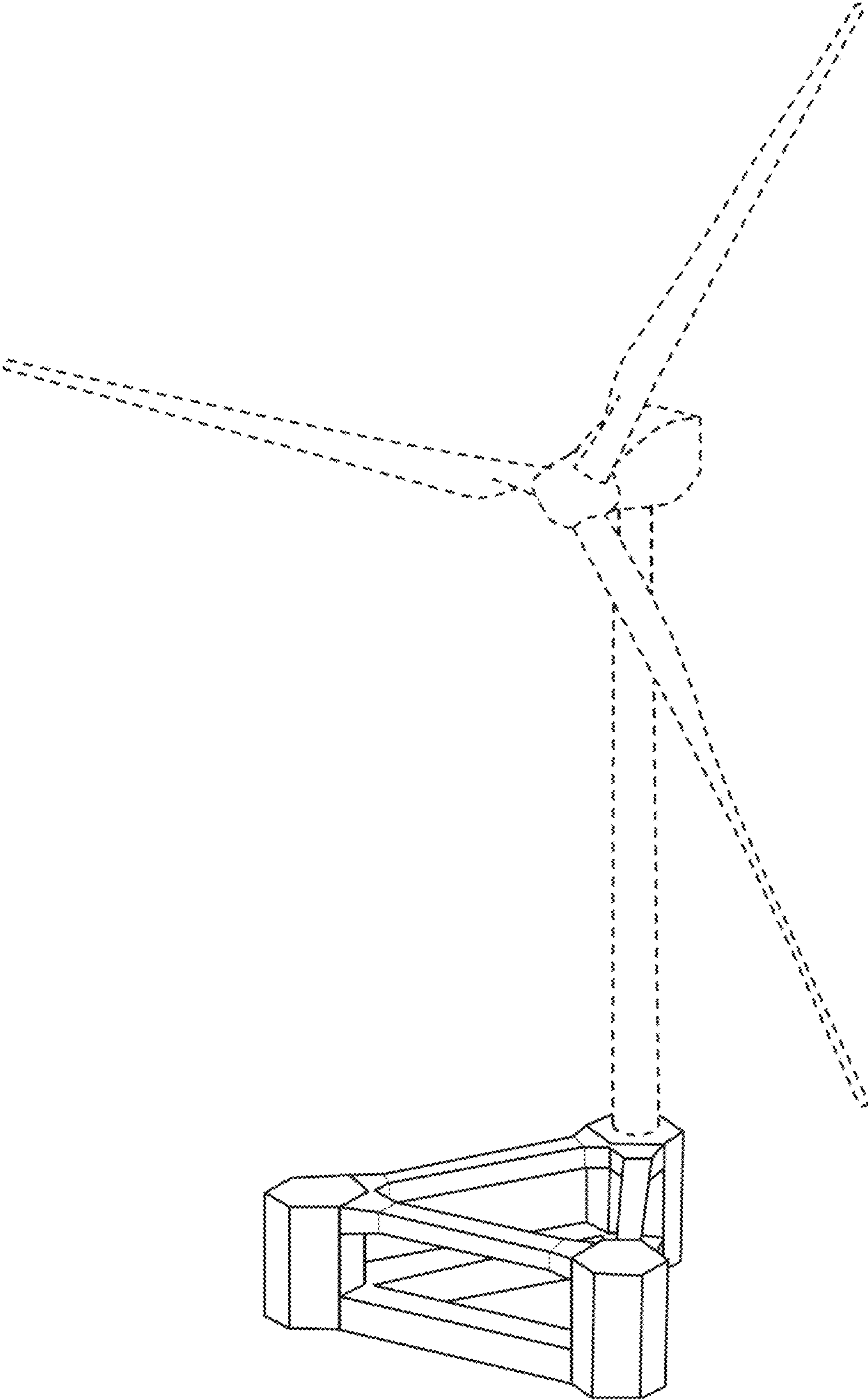


Fig. 3

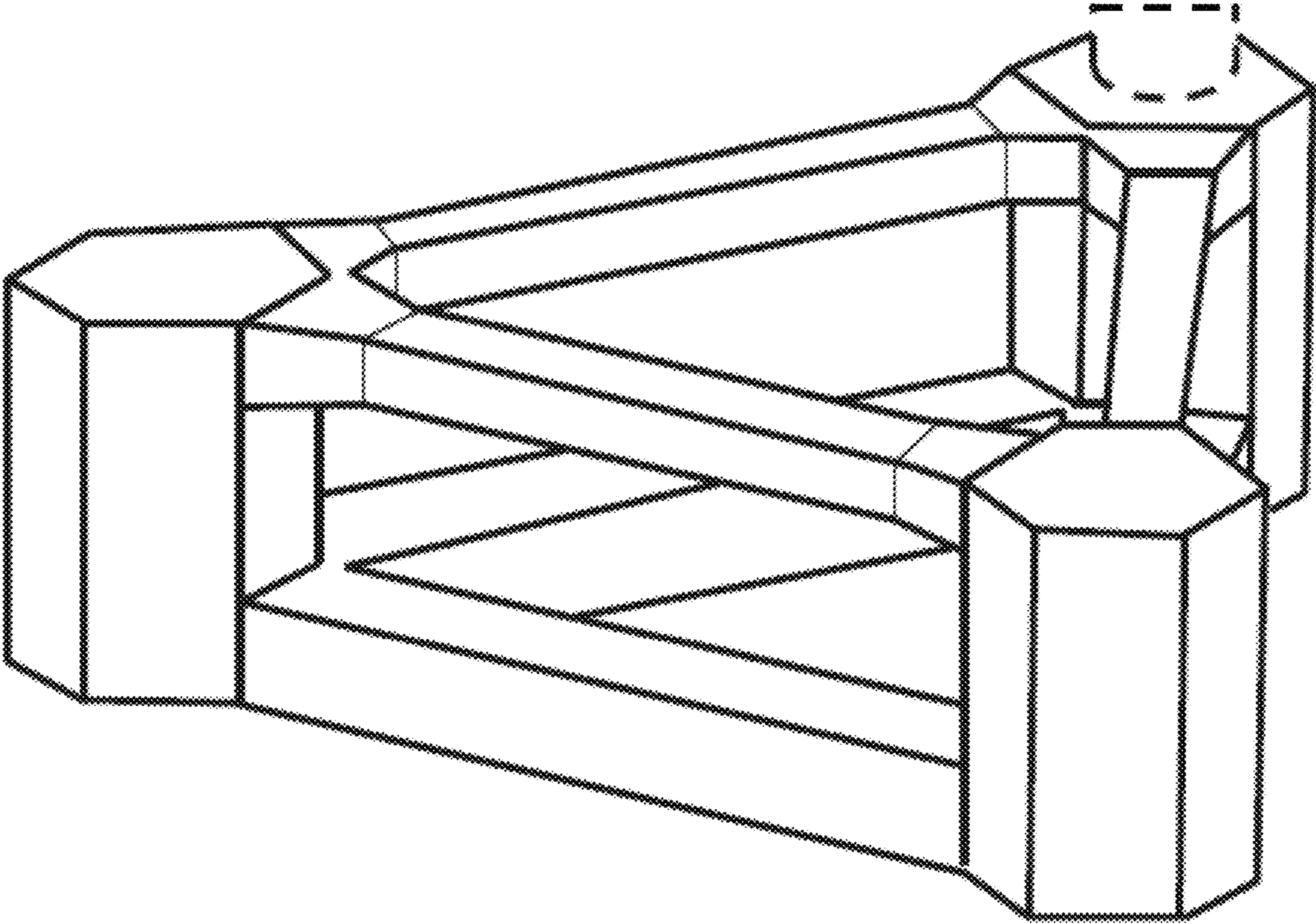


Fig. 4

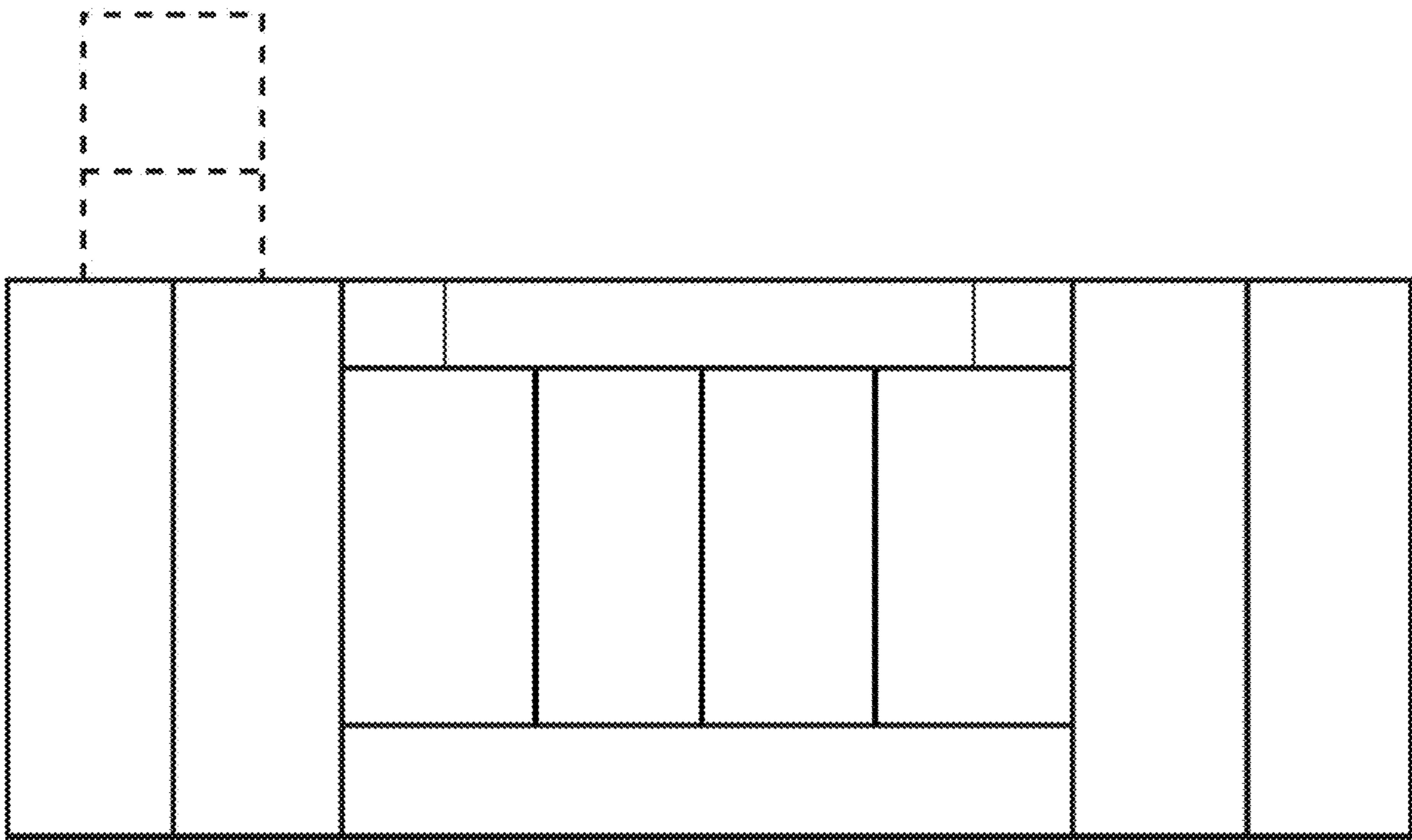


Fig. 5

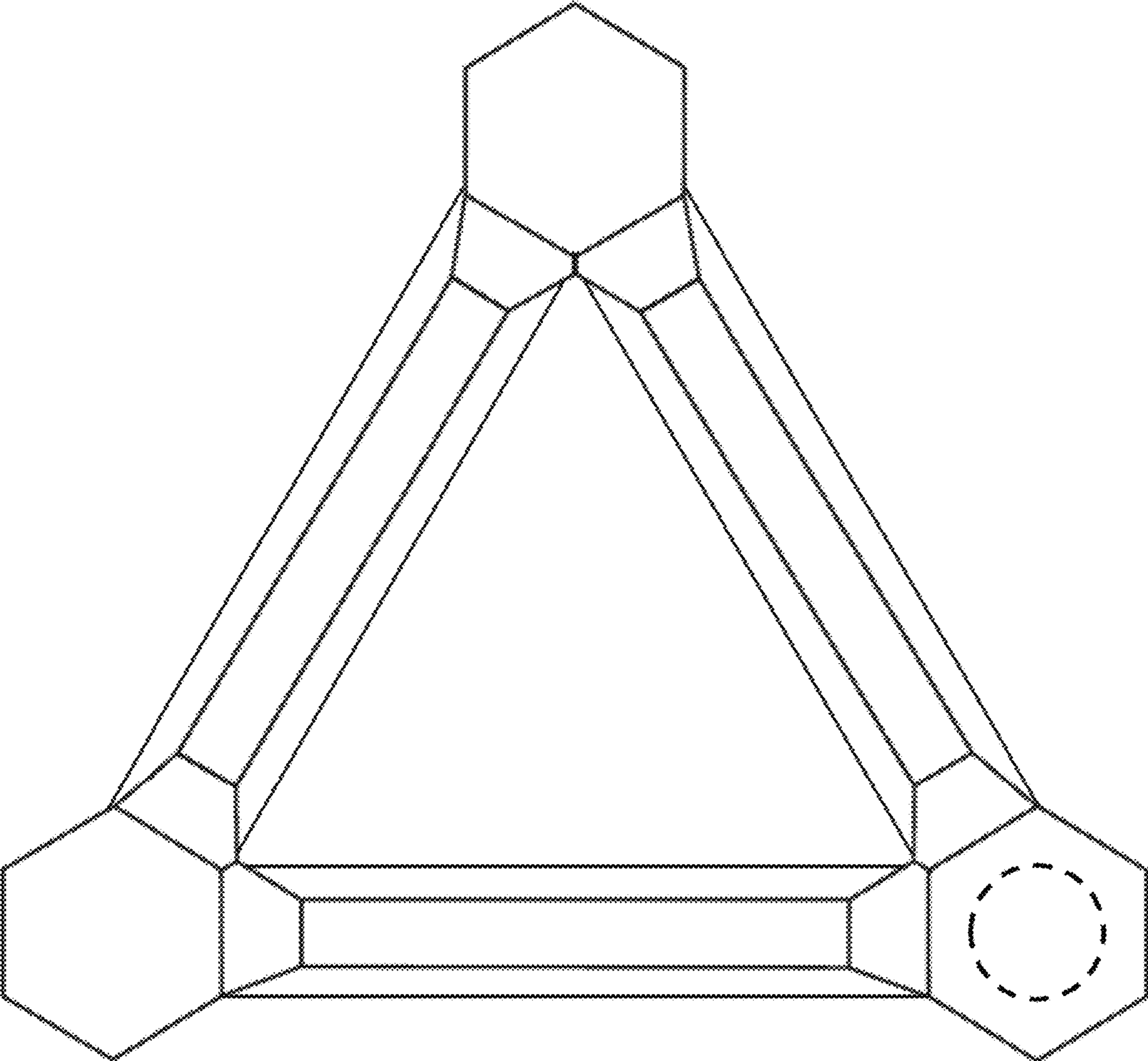


Fig. 6

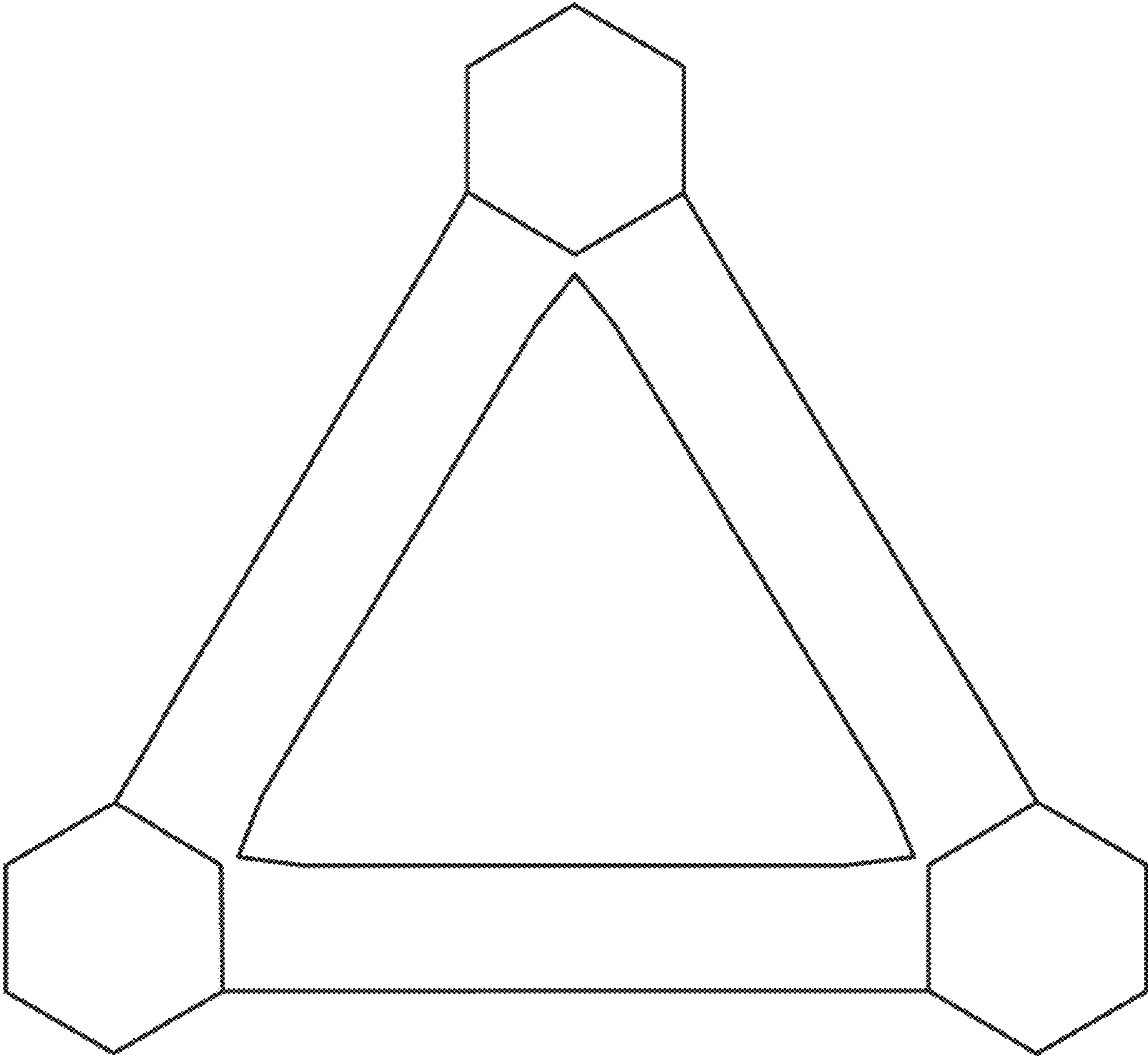


Fig. 7

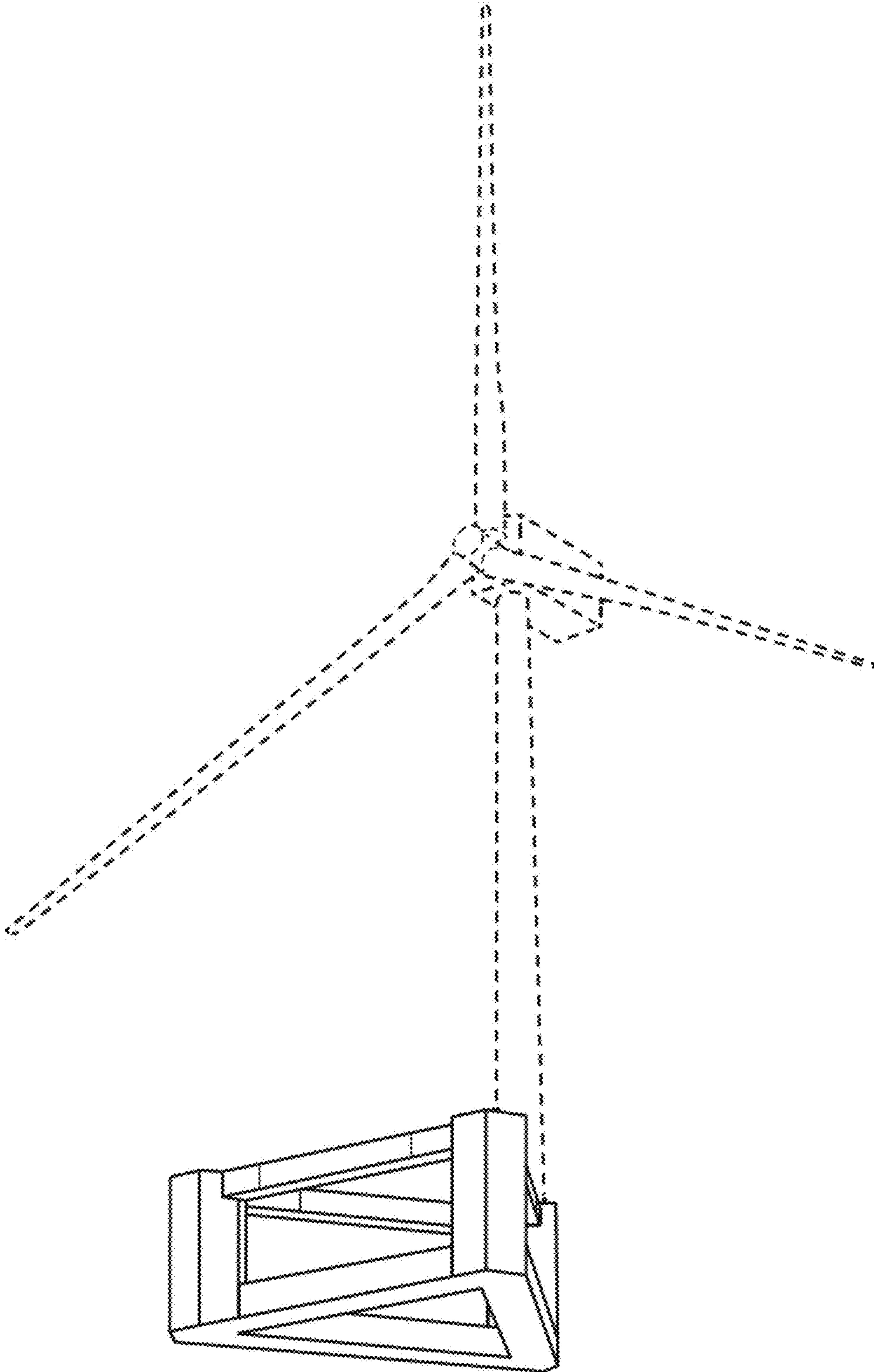


Fig. 8

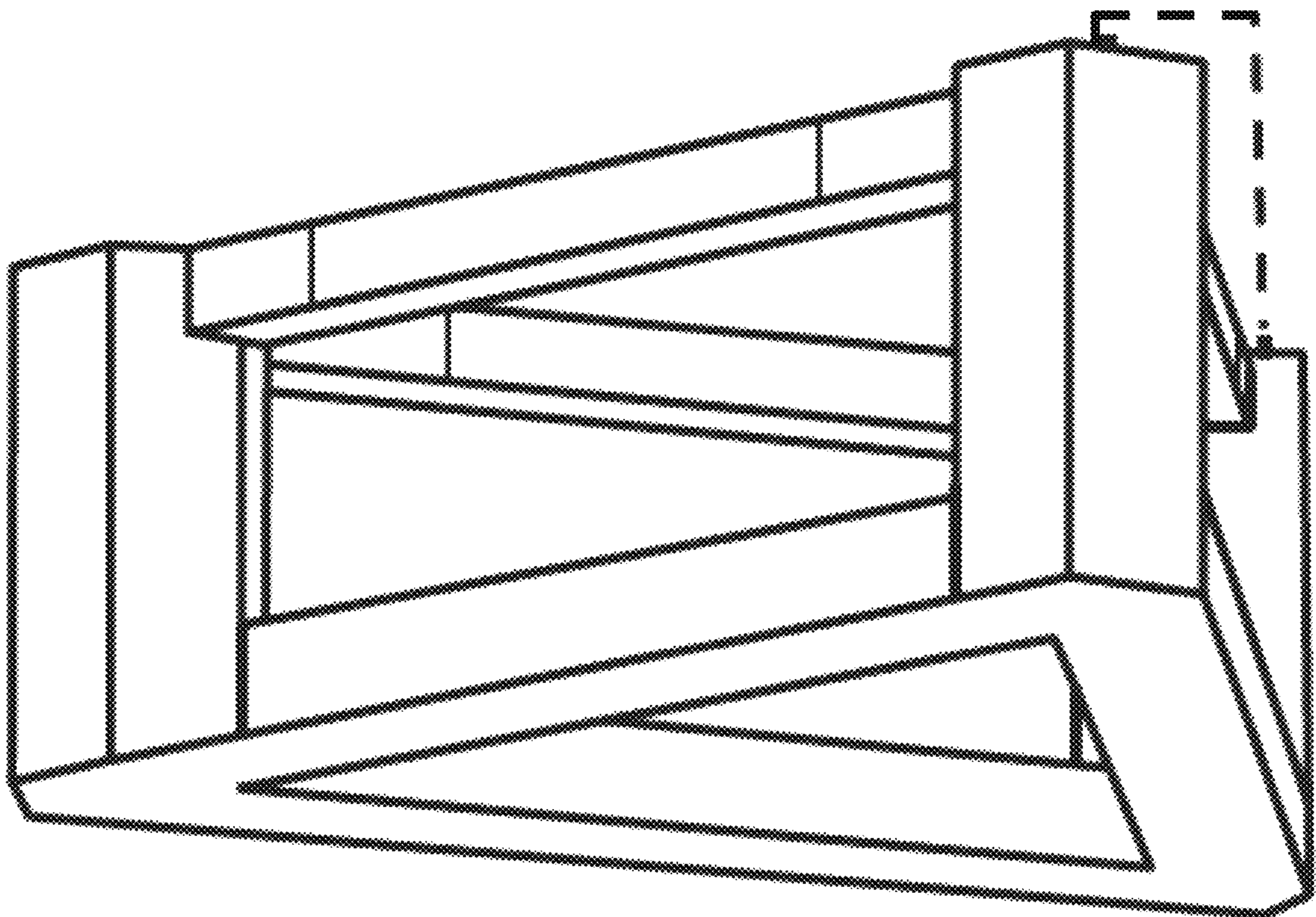


Fig. 9