



US00D964279S

(12) **United States Design Patent**  
**Robinson**

(10) **Patent No.:** **US D964,279 S**

(45) **Date of Patent:** **\*\* Sep. 20, 2022**

(54) **VEHICLE ALTERNATOR**

(71) Applicant: **CT INDUSTRIES, LLC**, Granger, IN  
(US)

(72) Inventor: **David B. Robinson**, Norfolk (GB)

(73) Assignee: **CT INDUSTRIES, LLC**, Granger, IN  
(US)

(\*\*) Term: **15 Years**

(21) Appl. No.: **29/760,135**

(22) Filed: **Nov. 30, 2020**

(51) **LOC (13) Cl.** ..... **13-01**

(52) **U.S. Cl.**  
USPC ..... **D13/114**

(58) **Field of Classification Search**  
USPC ..... D13/112, 101, 113, 114, 118, 122, 173,  
D13/199; D15/5, 148, 149  
CPC ..... H03M 1/22; H03M 1/28; H03M 1/287;  
H01H 25/008; H01H 19/005; H01H  
19/11; G01D 5/34; G01D 5/252; G01D  
5/34707; G01D 11/24  
See application file for complete search history.

(56) **References Cited**

**U.S. PATENT DOCUMENTS**

D238,177 S	12/1975	Ohishi	
D330,154 S	* 10/1992	Wagner	D13/122
D360,615 S	* 7/1995	Sakashita	D13/112
D382,573 S	8/1997	Avitan et al.	

D409,564 S	5/1999	Koshida	
D453,143 S	* 1/2002	Jones	D13/122
D540,254 S	4/2007	Wolf	
D567,177 S	* 4/2008	Chan	D13/122
D610,088 S	* 2/2010	Becker	D13/114
D682,902 S	5/2013	Tanaka et al.	
D737,766 S	* 9/2015	Faskin	D13/112
D740,867 S	10/2015	Barta	
D853,445 S	* 7/2019	Kuratani	D15/1
2013/0269305 A1	10/2013	Wang et al.	

\* cited by examiner

*Primary Examiner* — Derrick E Holland

(74) *Attorney, Agent, or Firm* — Price Heneveld LLP

(57) **CLAIM**

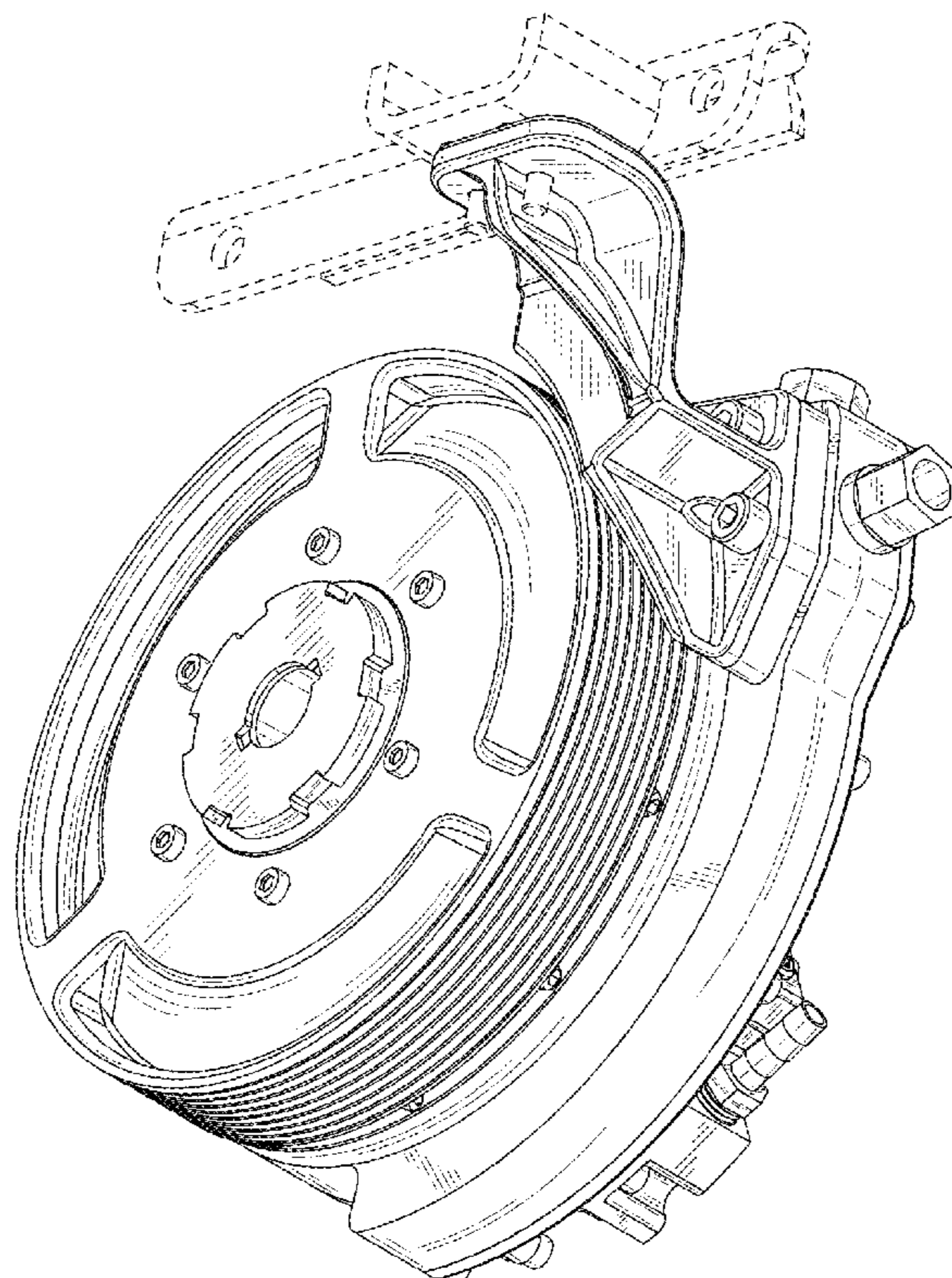
The ornamental design for a vehicle alternator, as shown and described.

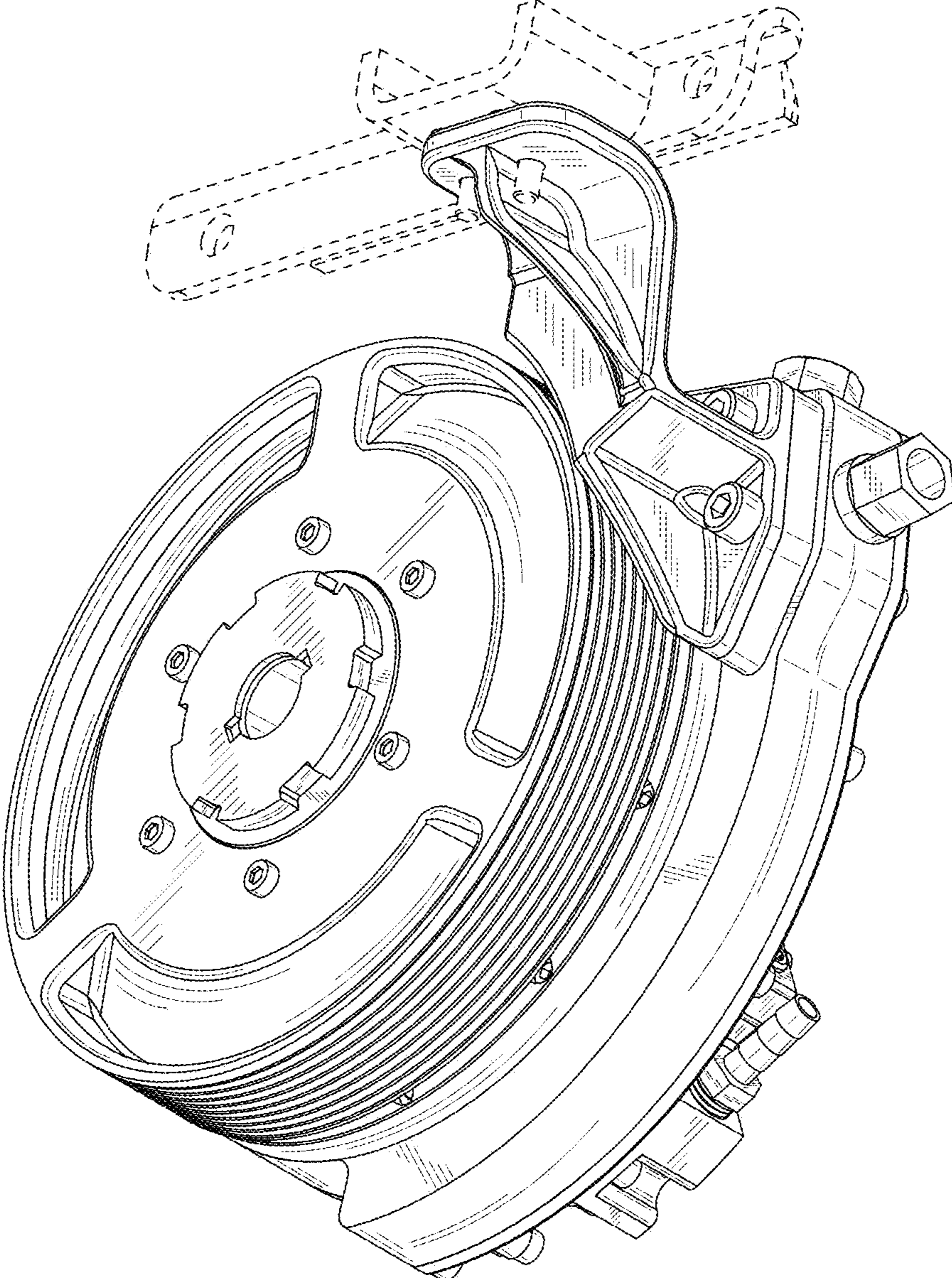
**DESCRIPTION**

FIG. 1 is a front perspective view of a vehicle alternator according to my design;  
FIG. 2 is a back perspective view thereof;  
FIG. 3 is a top front perspective view thereof;  
FIG. 4 is a top back perspective view thereof;  
FIG. 5 is a front elevational view thereof;  
FIG. 6 is a back elevational view thereof;  
FIG. 7 is a right elevational view thereof;  
FIG. 8 is a left elevational view thereof;  
FIG. 9 is a bottom view thereof; and,  
FIG. 10 is a top view thereof.

The broken lines shown represent the portions of the vehicle alternator that form no part of the claimed design.

**1 Claim, 10 Drawing Sheets**





**FIG. 1**



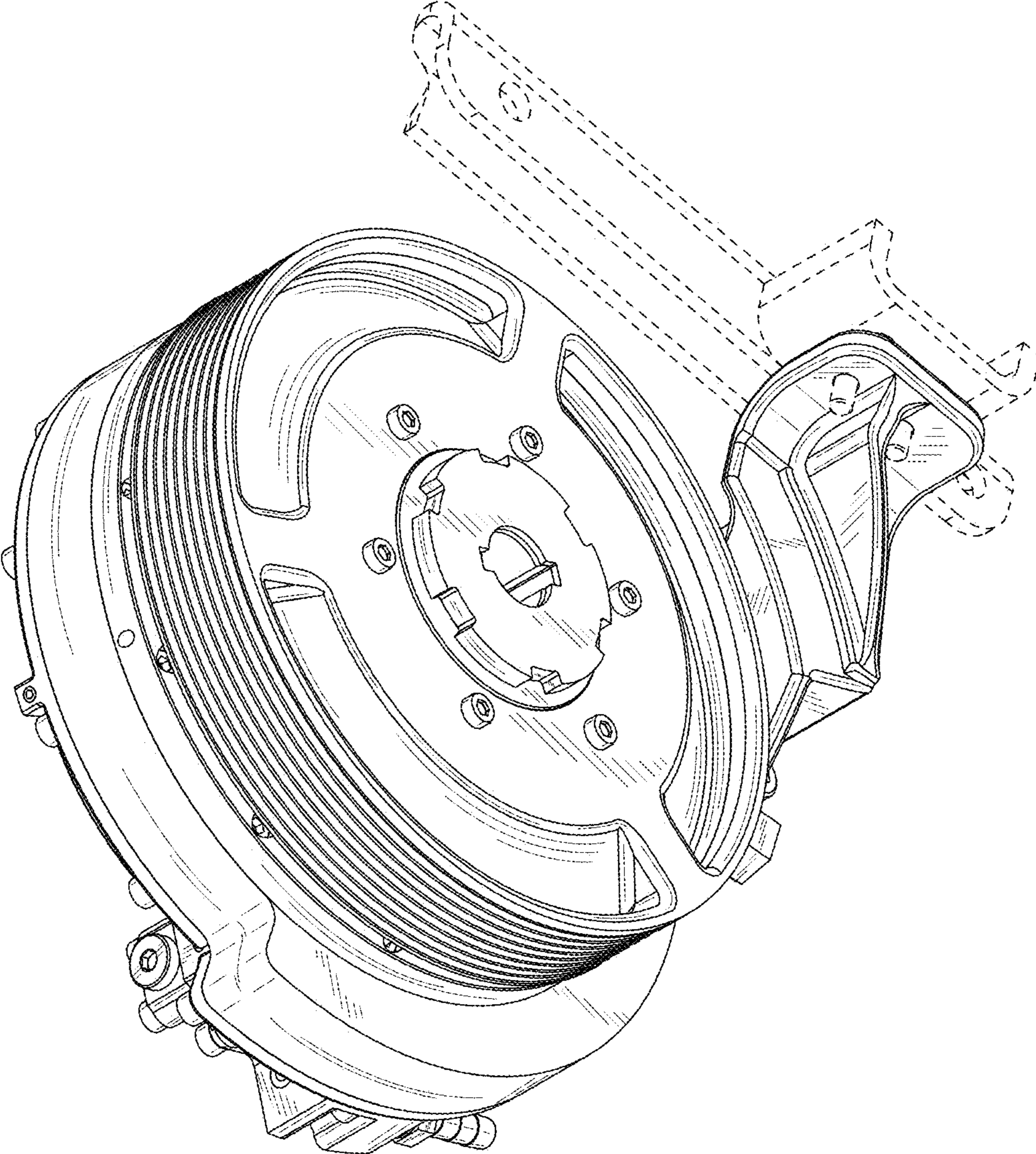


FIG. 2

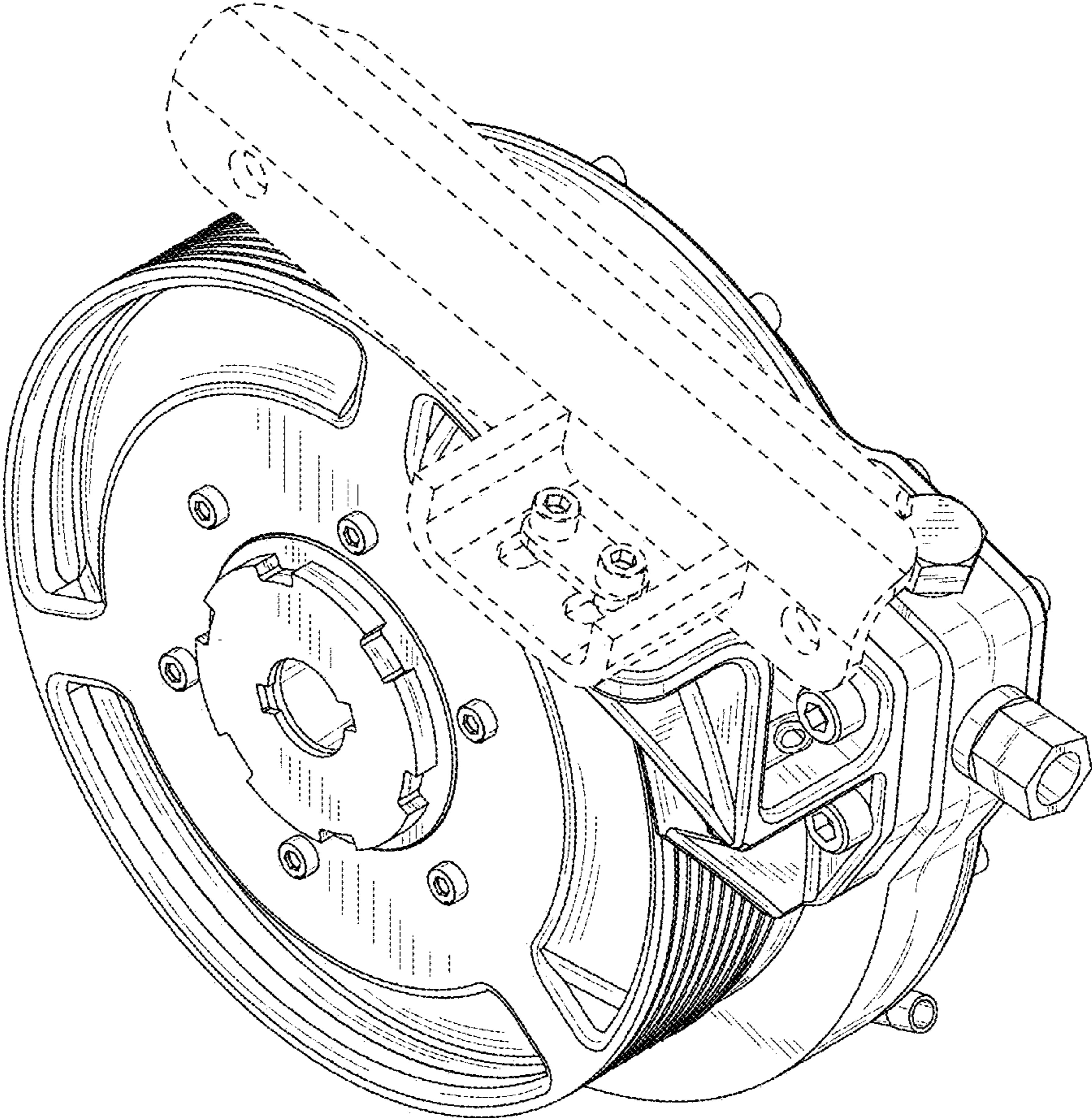


FIG. 3



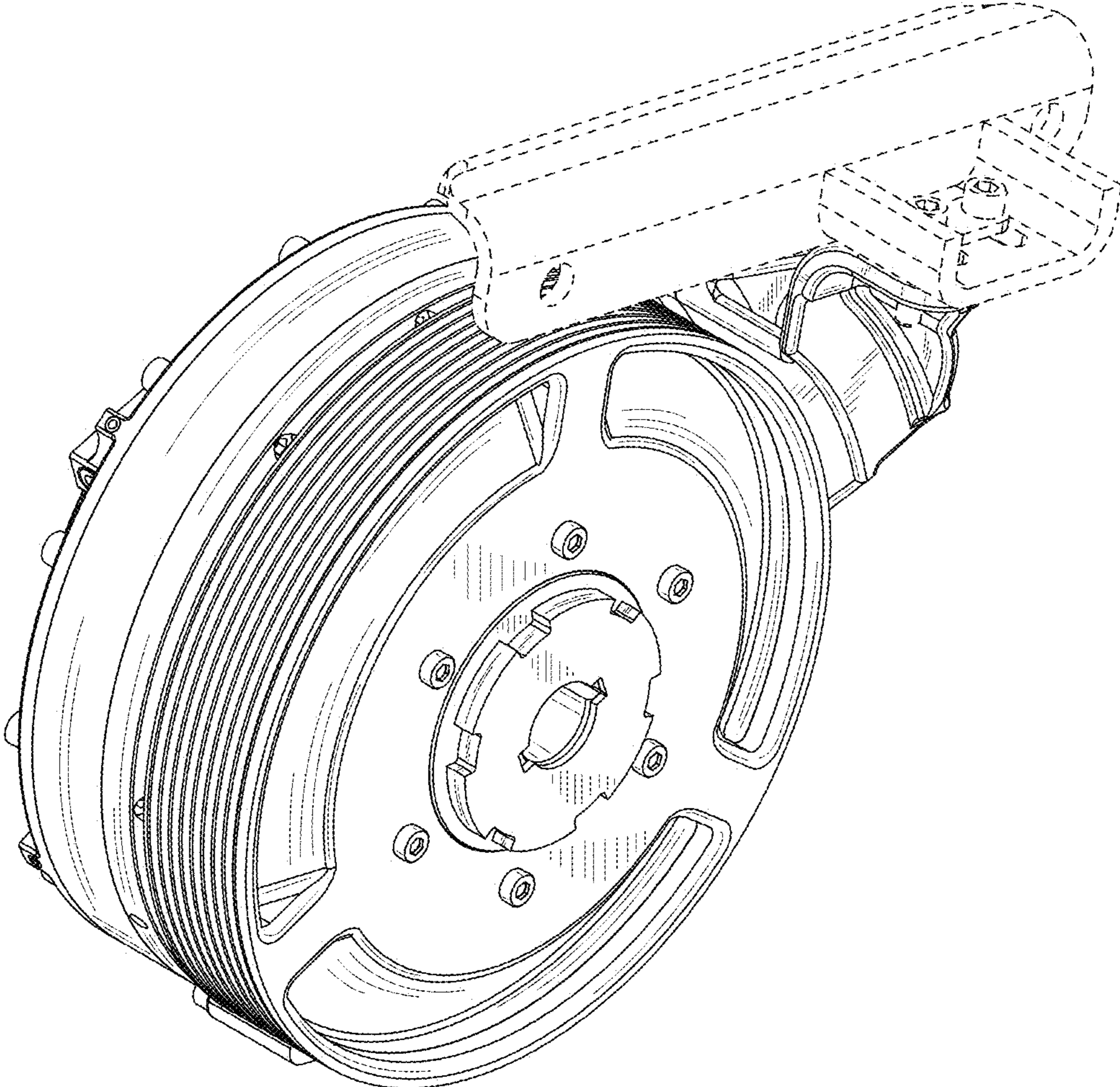


FIG. 4

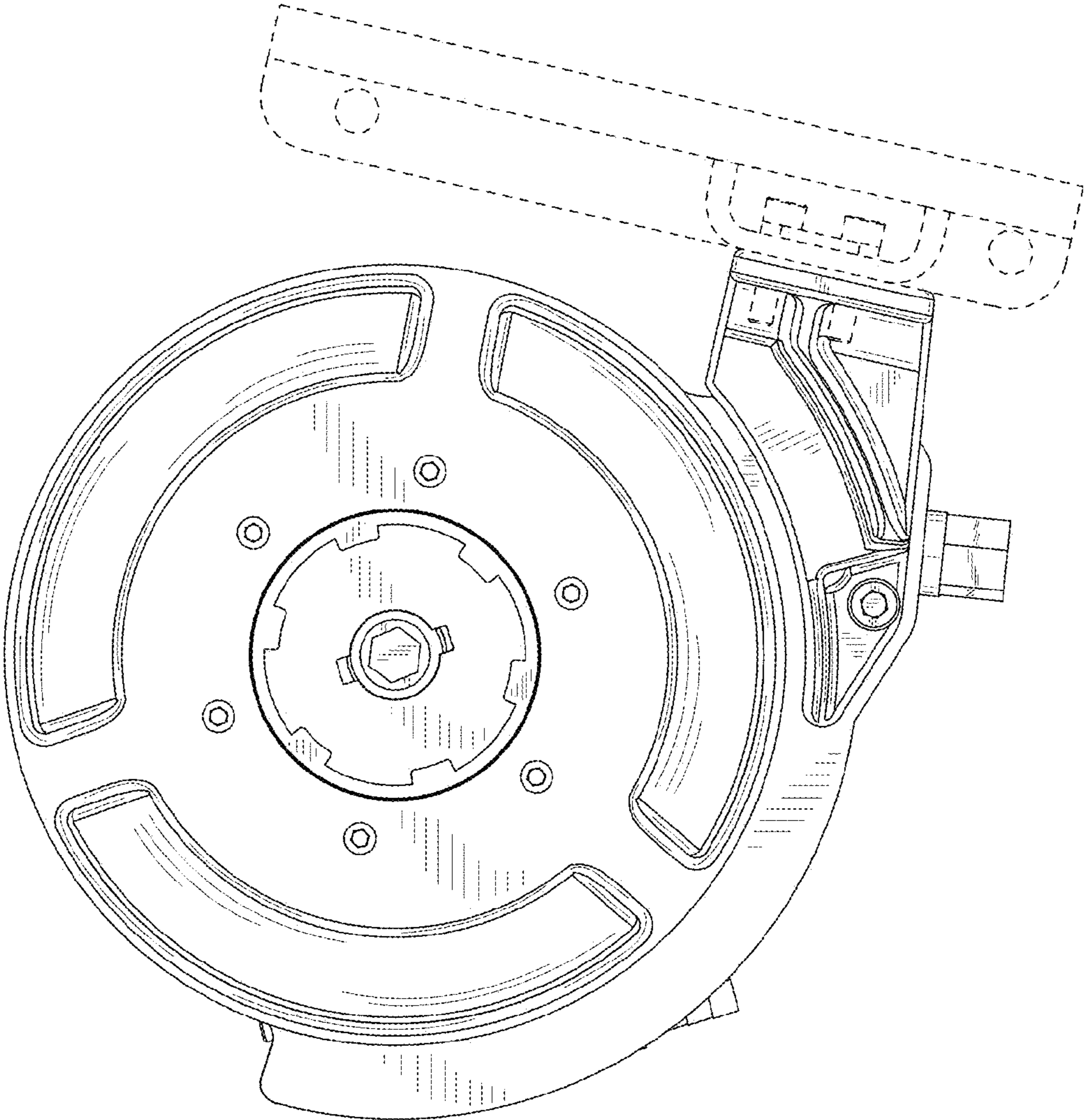


FIG. 5

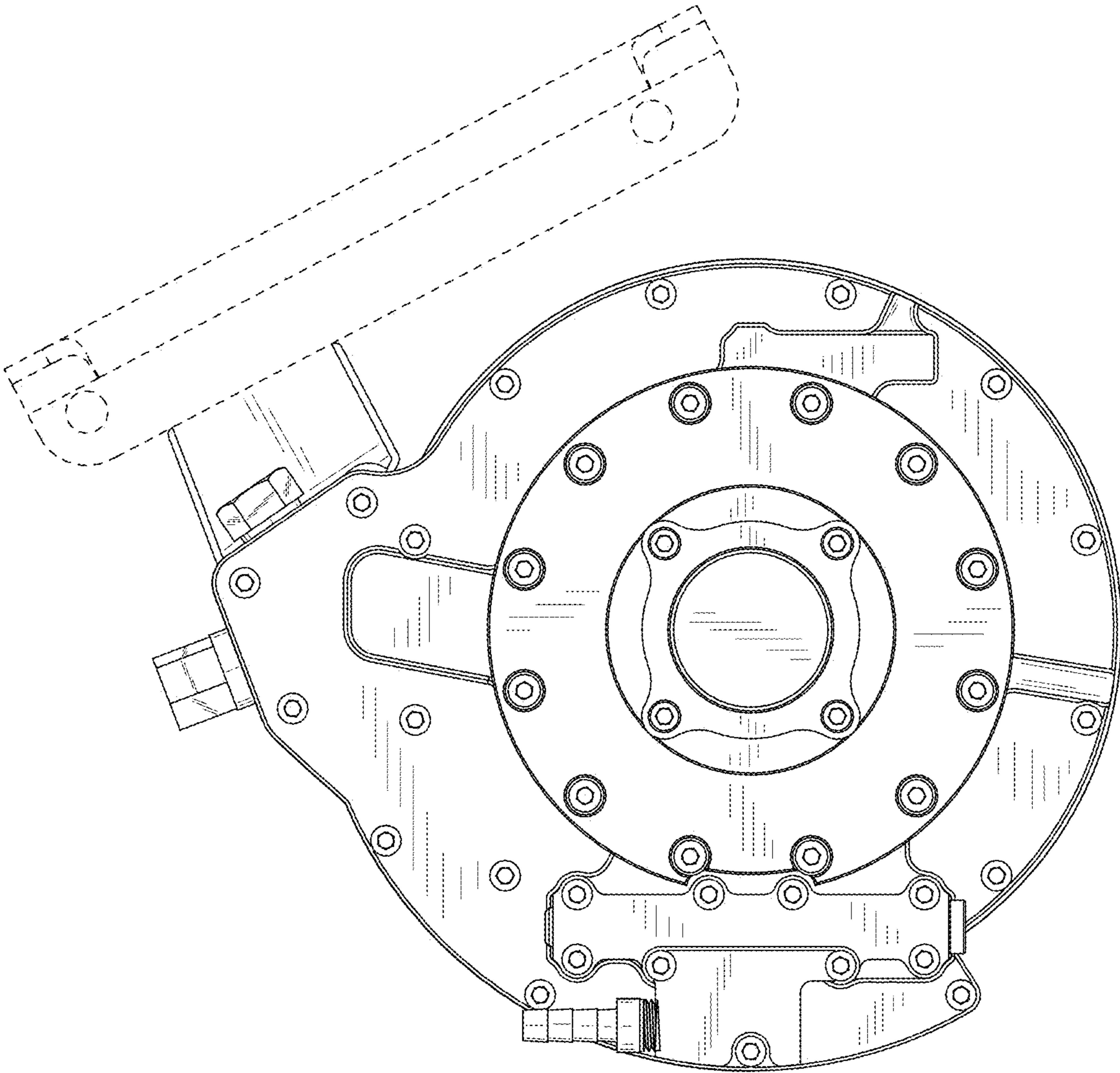
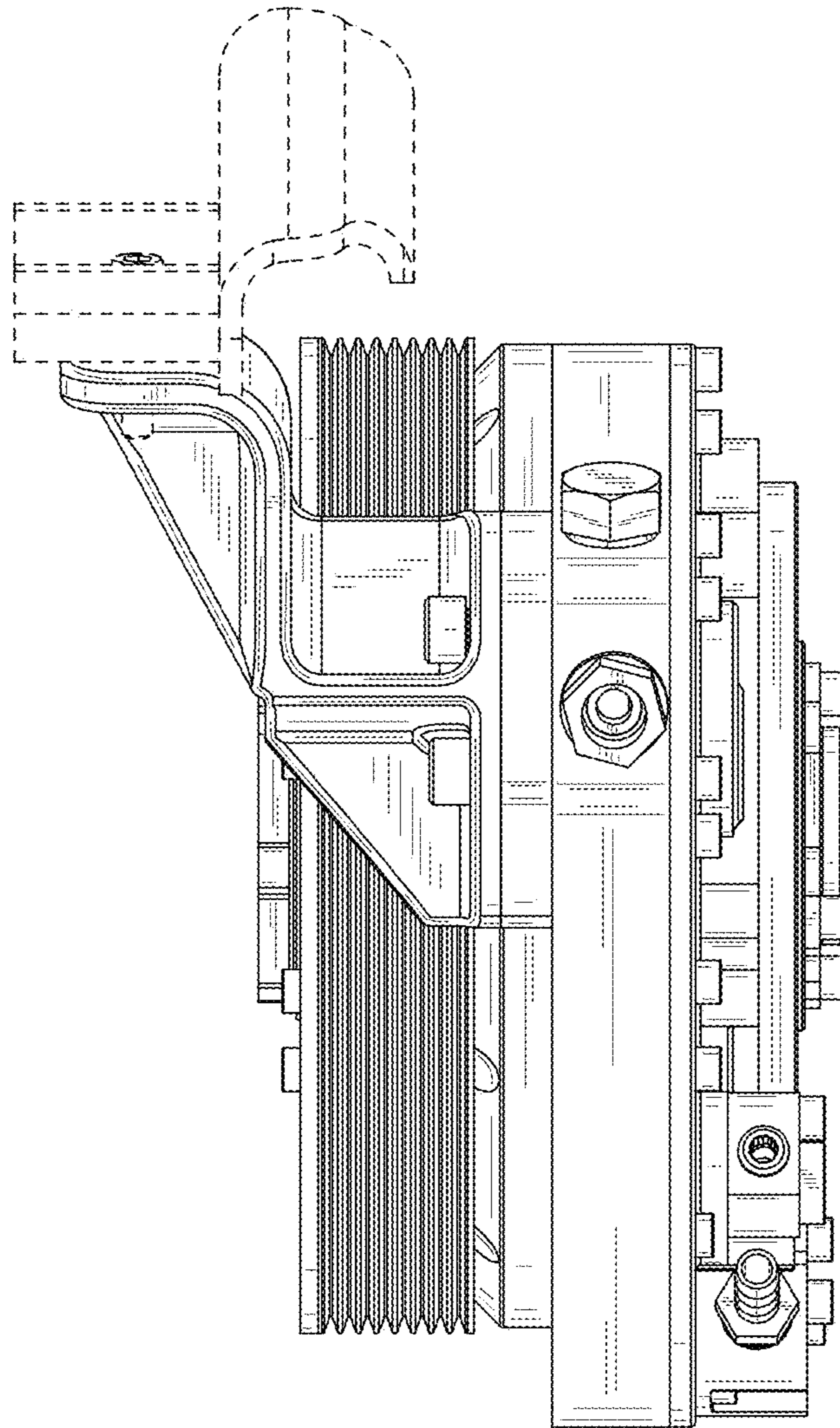


FIG. 6





**FIG. 7**



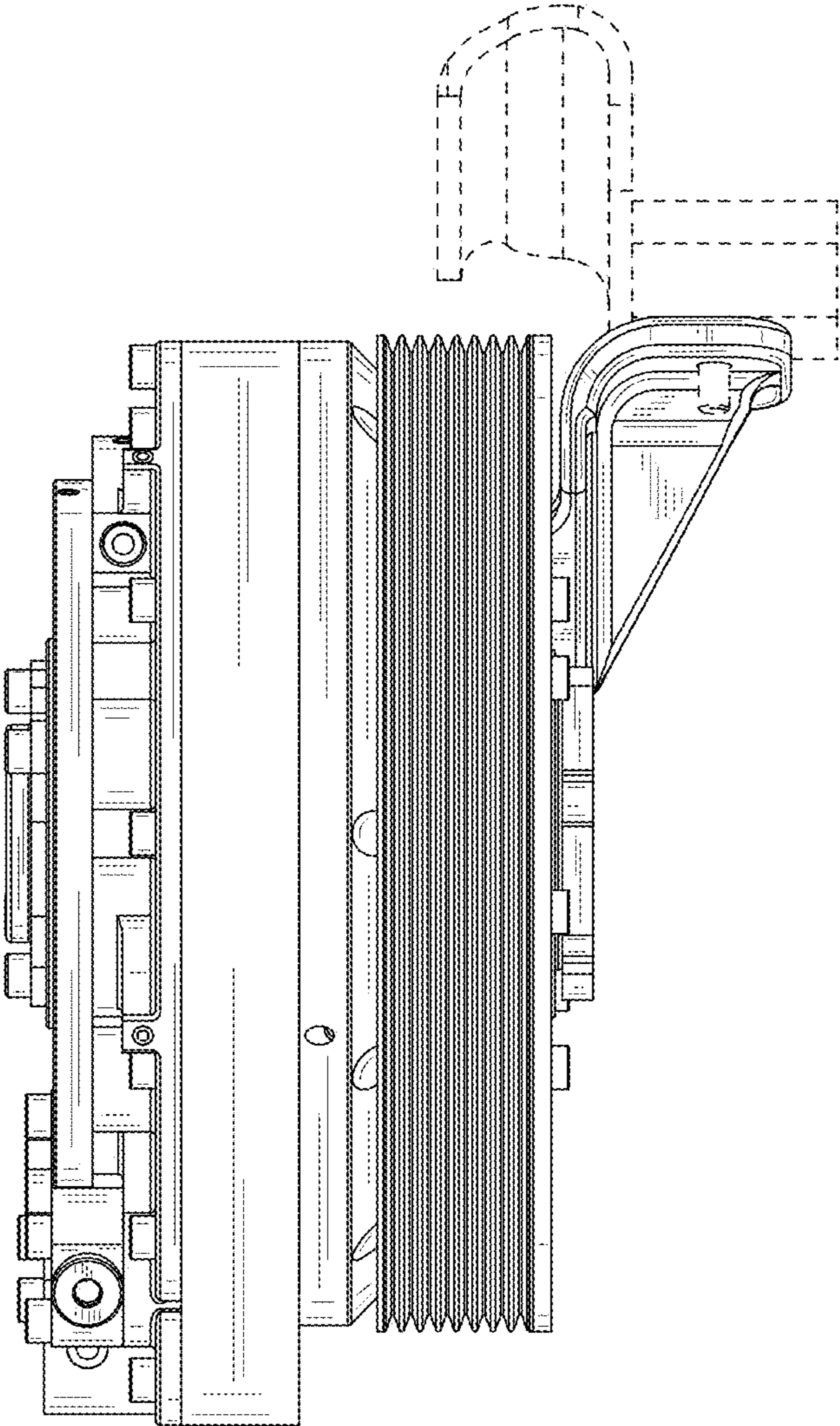
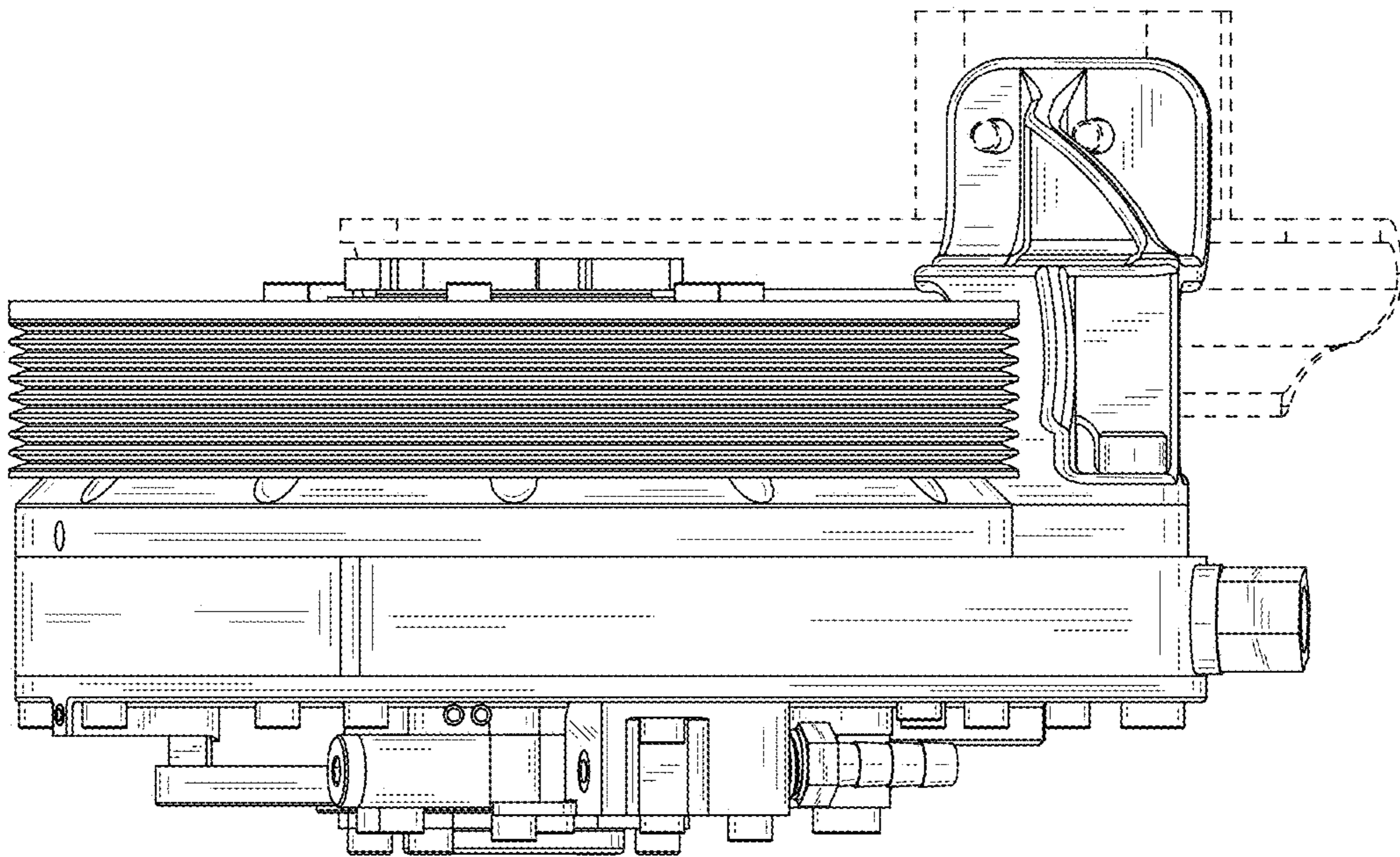
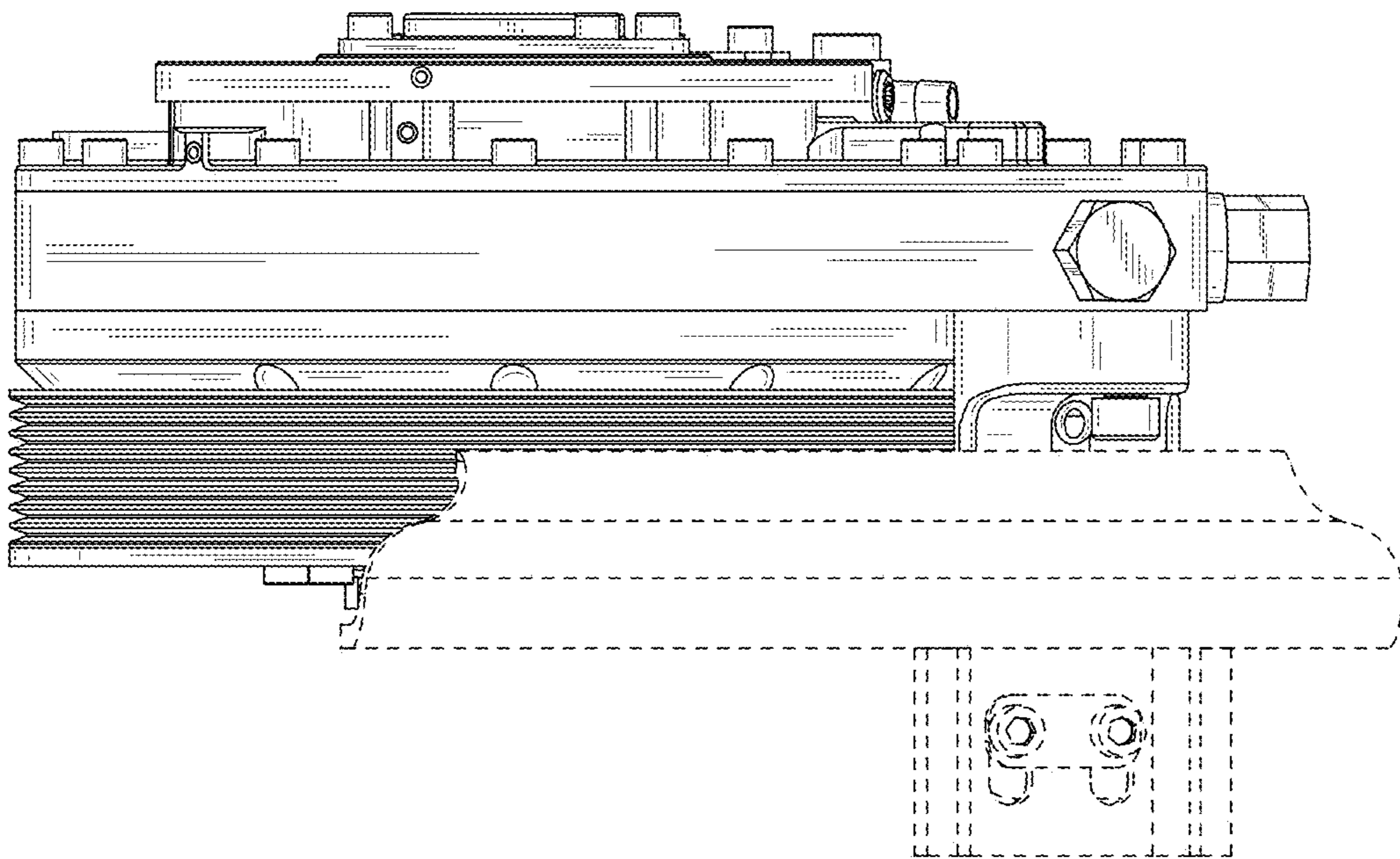


FIG. 8



**FIG. 9**



**FIG. 10**