



US00D964278S

(12) **United States Design Patent** (10) **Patent No.:** **US D964,278 S**
Largent et al. (45) **Date of Patent:** **** Sep. 20, 2022**

(54) **MOTOR CONTROLLER HOUSING**

(56) **References Cited**

(71) Applicant: **Nidec Motor Corporation**, St. Louis, MO (US)

(72) Inventors: **Michael L. Largent**, O'Fallon, IL (US); **Steven R. Palmer**, Highland, IL (US); **Jeffrey Scott Sherman**, Creve Coeur, MO (US)

(73) Assignee: **Nidec Motor Corporation**, St. Louis, MO (US)

(**) Term: **15 Years**

(21) Appl. No.: **29/816,756**

(22) Filed: **Nov. 24, 2021**

U.S. PATENT DOCUMENTS

D336,890	S	*	6/1993	Hirose	D13/112
D573,534	S	*	7/2008	Andersson	D13/113
D593,943	S	*	6/2009	Lannoch	D13/112
D609,181	S	*	2/2010	Lannoch	D13/112
7,965,005	B2	*	6/2011	Schmidt	H02K 9/14 310/71
D712,354	S	*	9/2014	Veeh	D13/112
D797,671	S	*	9/2017	Andersson	D13/122
D833,972	S	*	11/2018	Pflueger	D13/112
2015/0076942	A1	*	3/2015	Madsen Obel	H02K 9/06 310/59
2016/0013628	A1	*	1/2016	Tanaka	H02G 3/18 174/541

* cited by examiner

Primary Examiner — Derrick E Holland

(74) *Attorney, Agent, or Firm* — Hovey Williams LLP

Related U.S. Application Data

(62) Division of application No. 29/696,824, filed on Jul. 1, 2019, now Pat. No. Des. 944,204.

(51) **LOC (13) Cl.** **13-01**

(52) **U.S. Cl.**
USPC **D13/112**

(58) **Field of Classification Search**
USPC D13/112, 101, 113, 114, 117, 118, 120, D13/122, 184, 199; D15/1, 3, 5, 199
CPC .. H02K 5/02; H02K 5/04; H02K 5/06; H02K 5/08; H02K 5/22; H02K 5/225; H02K 11/33; H02K 11/0094; H02K 9/06; H02K 9/12; H02K 9/14; H02K 9/18; H02K 9/20; H02K 7/1025; H02K 7/20918; H02K 3/24; H02K 3/47; F02B 63/04; F28D 15/0266; F28D 15/02; F28F 1/20

See application file for complete search history.

(57) **CLAIM**

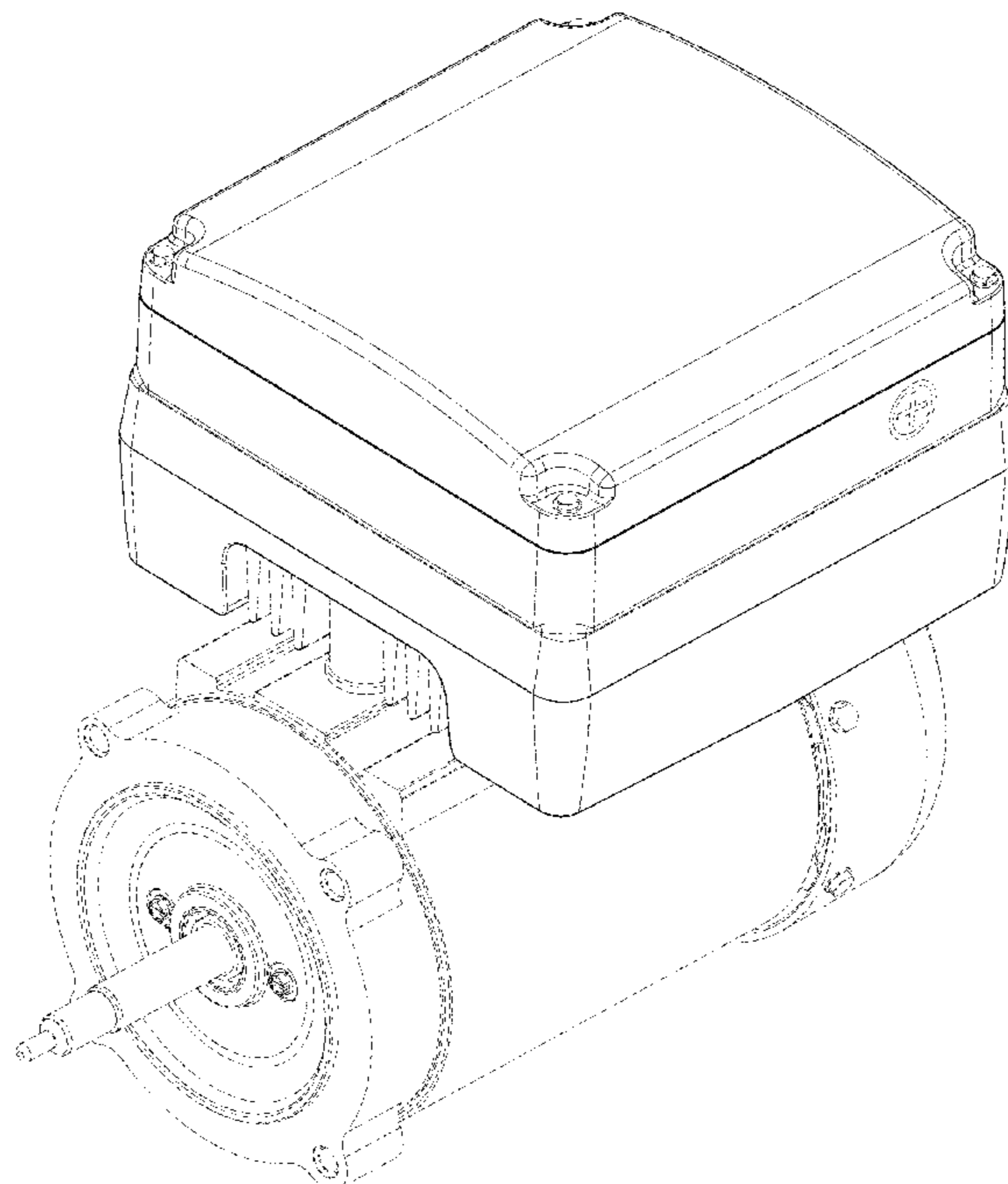
The ornamental design for a motor controller housing, as shown and described.

DESCRIPTION

FIG. 1 is a front perspective view of a motor controller housing showing the new design; FIG. 2 is a rear perspective view thereof; FIG. 3 is a front elevation view thereof; FIG. 4 is a right side elevation view thereof; FIG. 5 is a left side elevation view thereof; FIG. 6 is a top plan view thereof; and, FIG. 7 is a rear elevation view thereof.

The broken lines shown depict environmental subject matter and form no part of the claimed design.

1 Claim, 7 Drawing Sheets



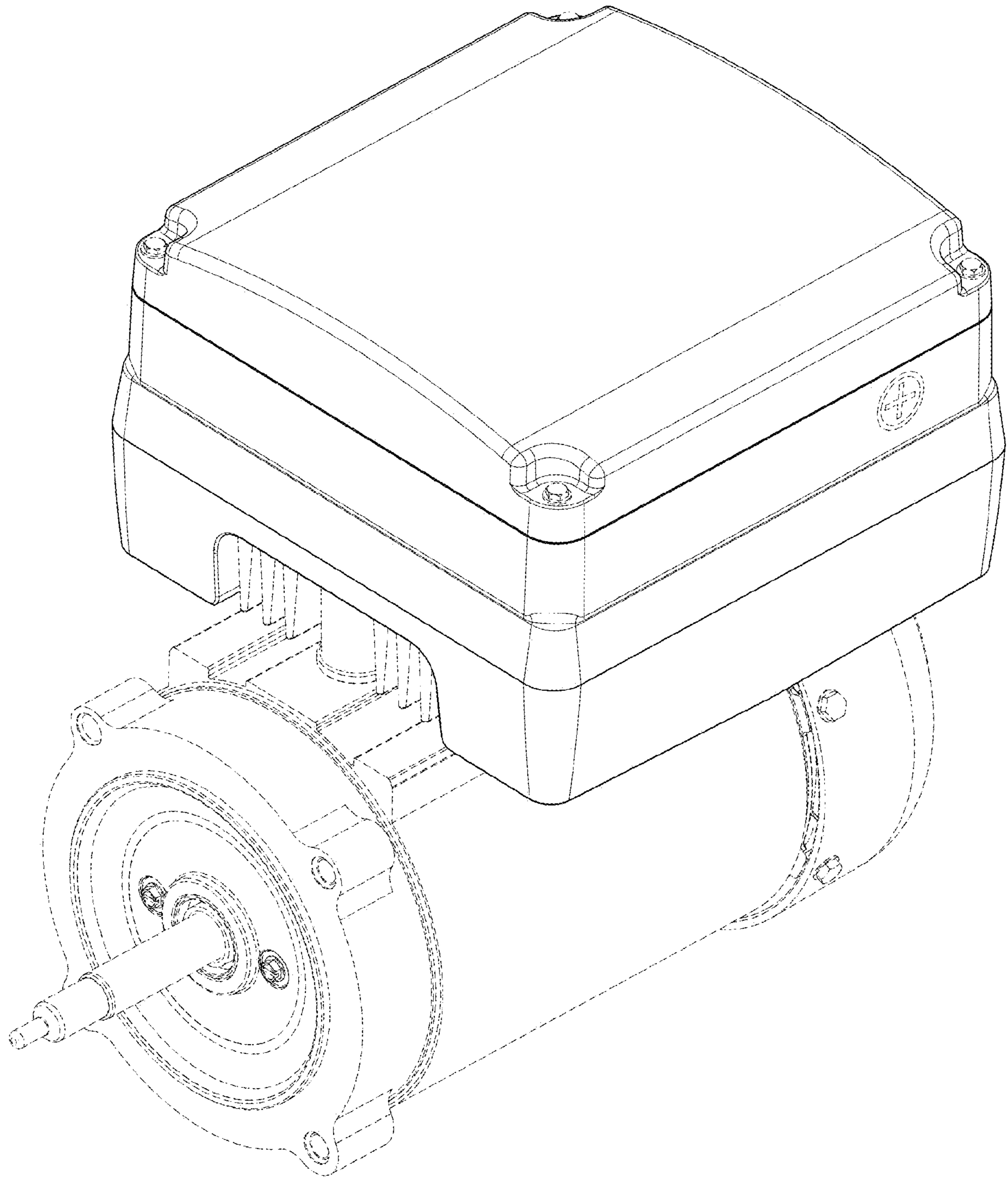


Fig. 1.

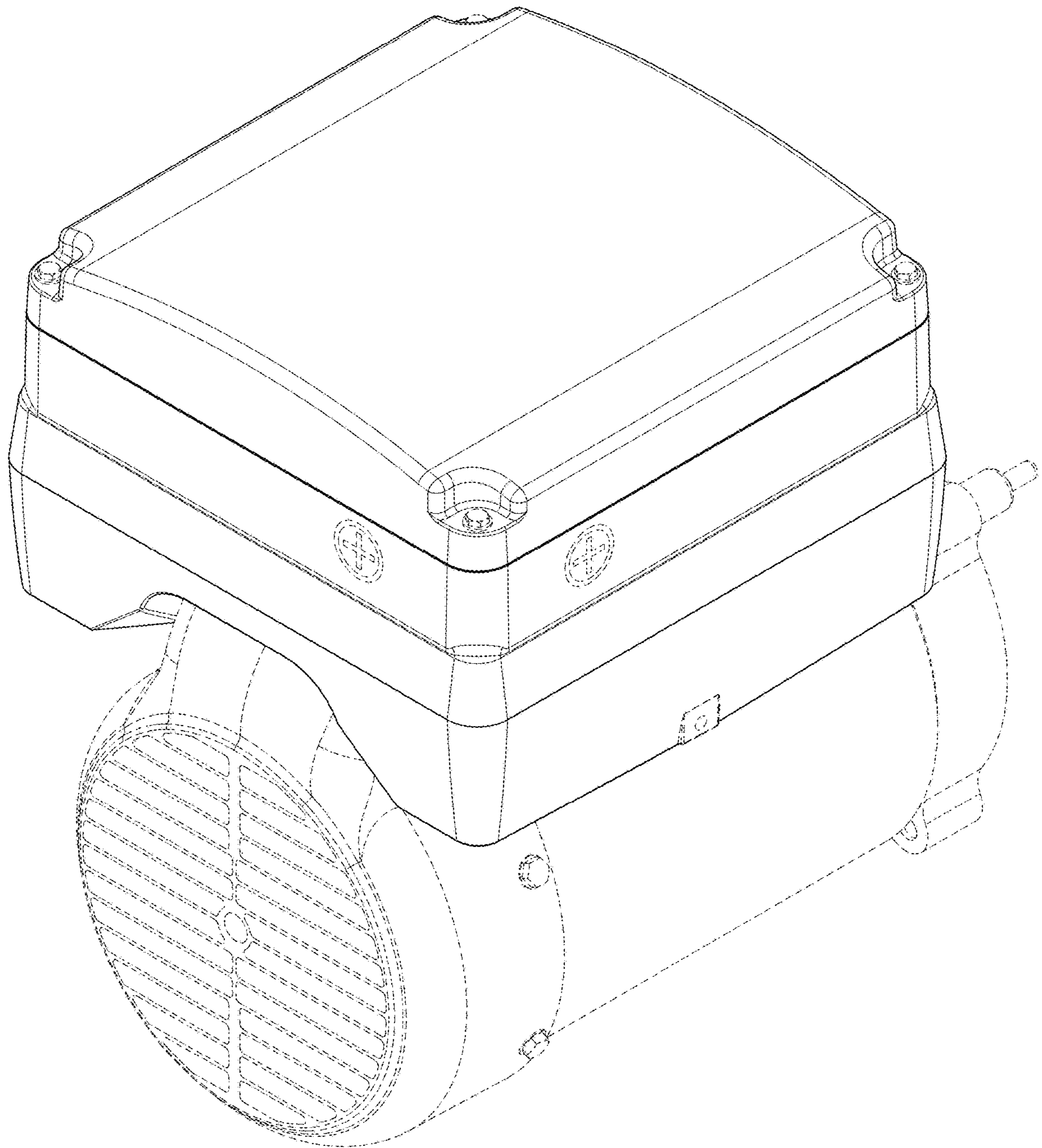


Fig. 2.

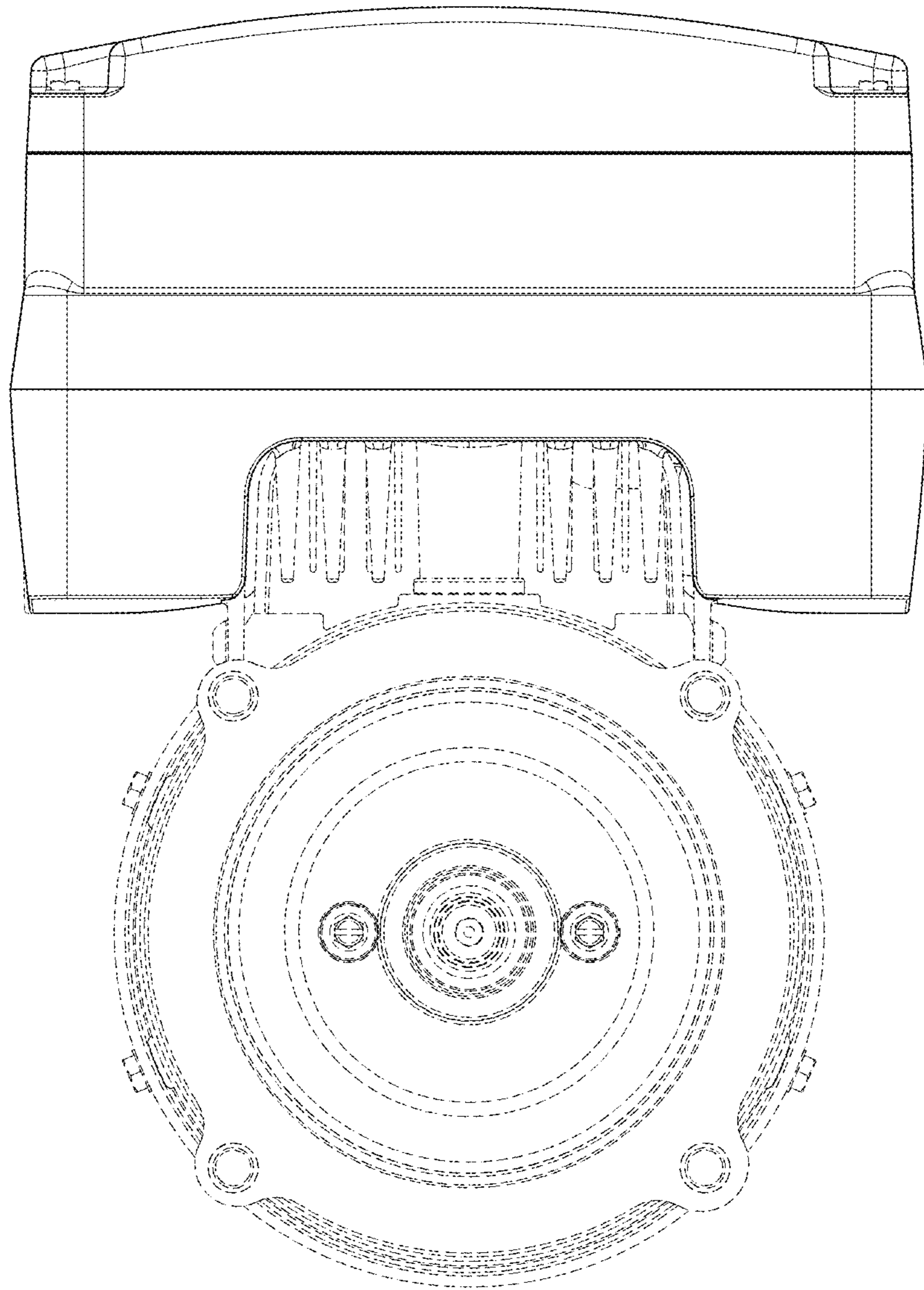


Fig. 3.

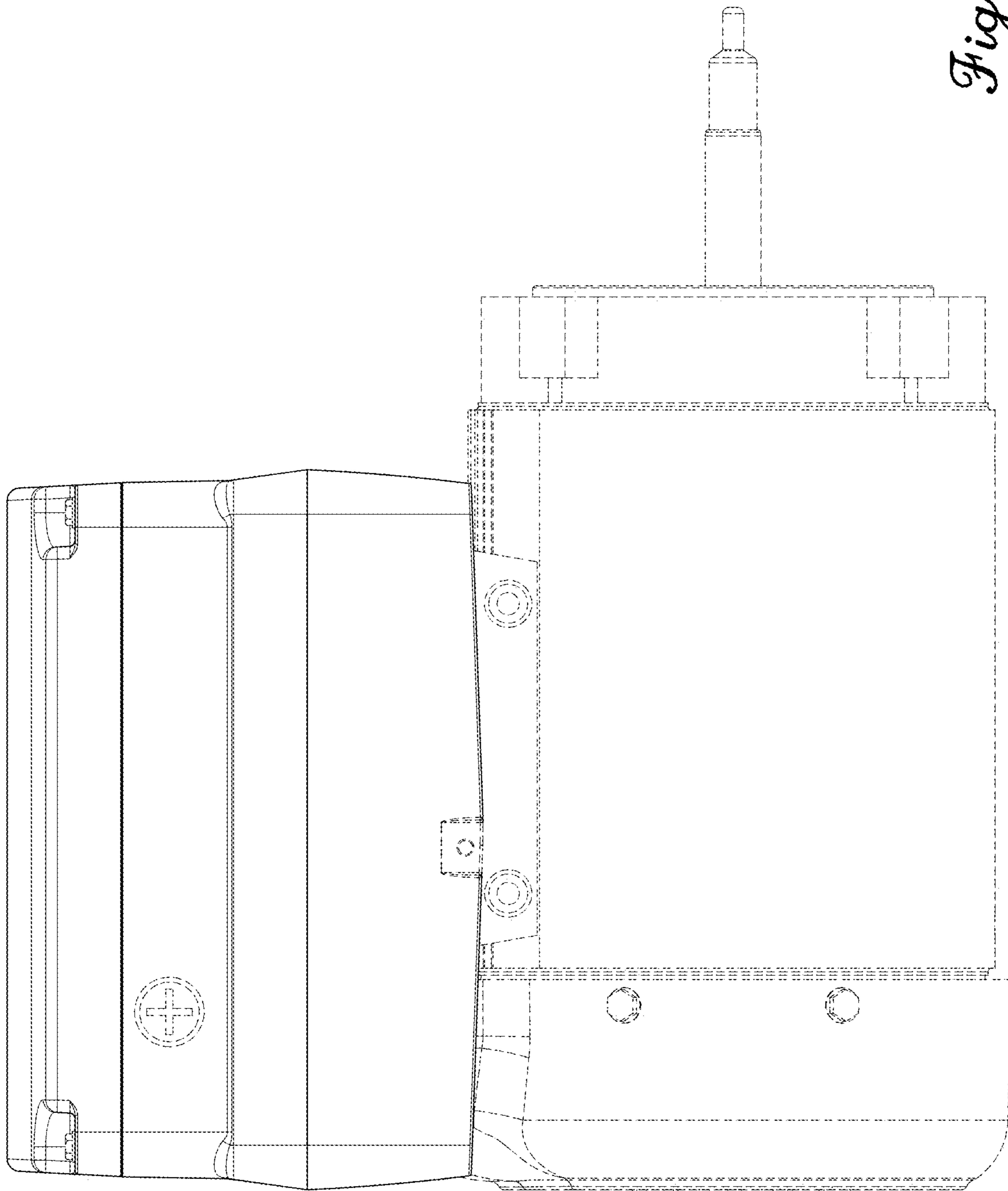
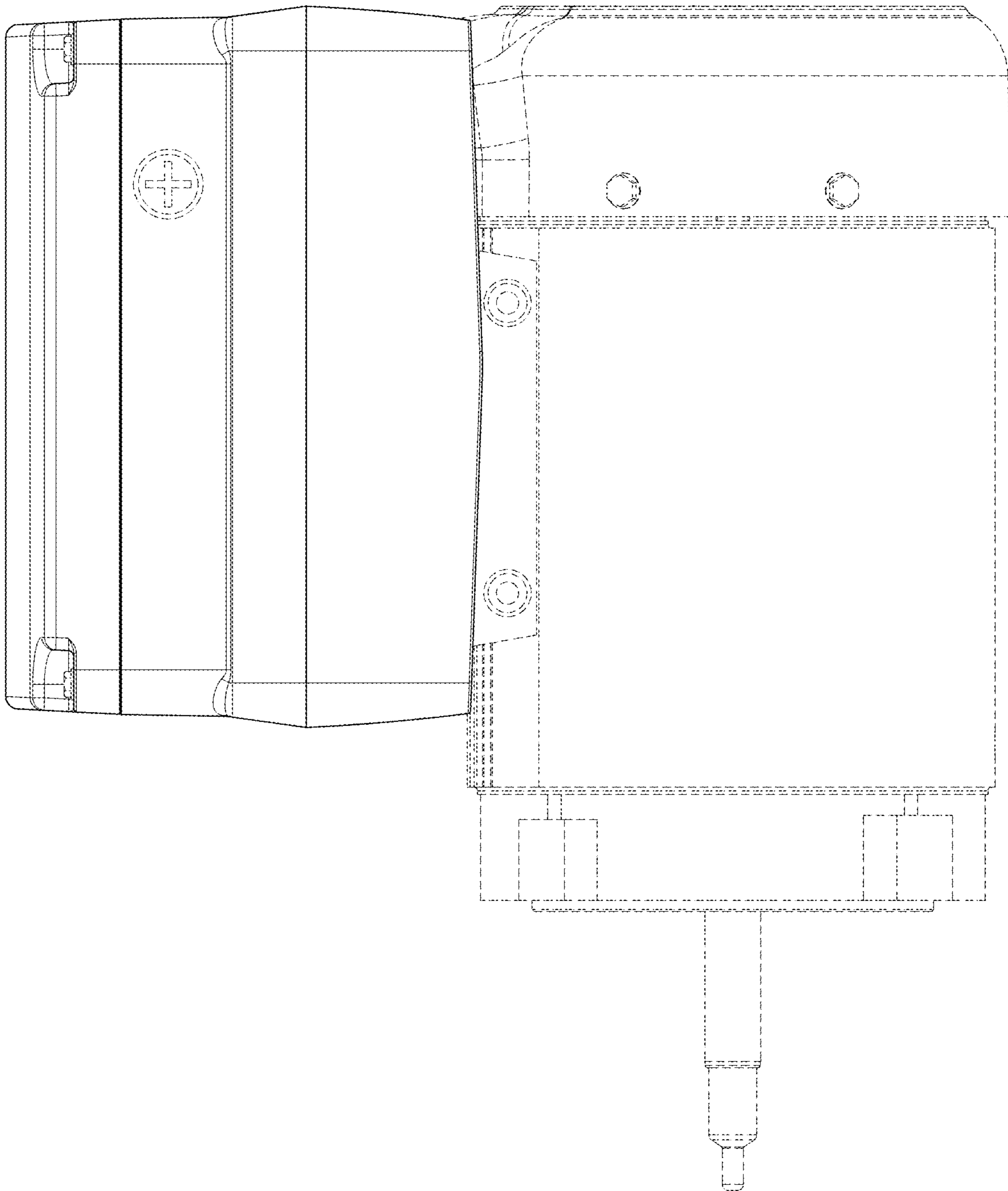


Fig. 4.

Fig. 5.



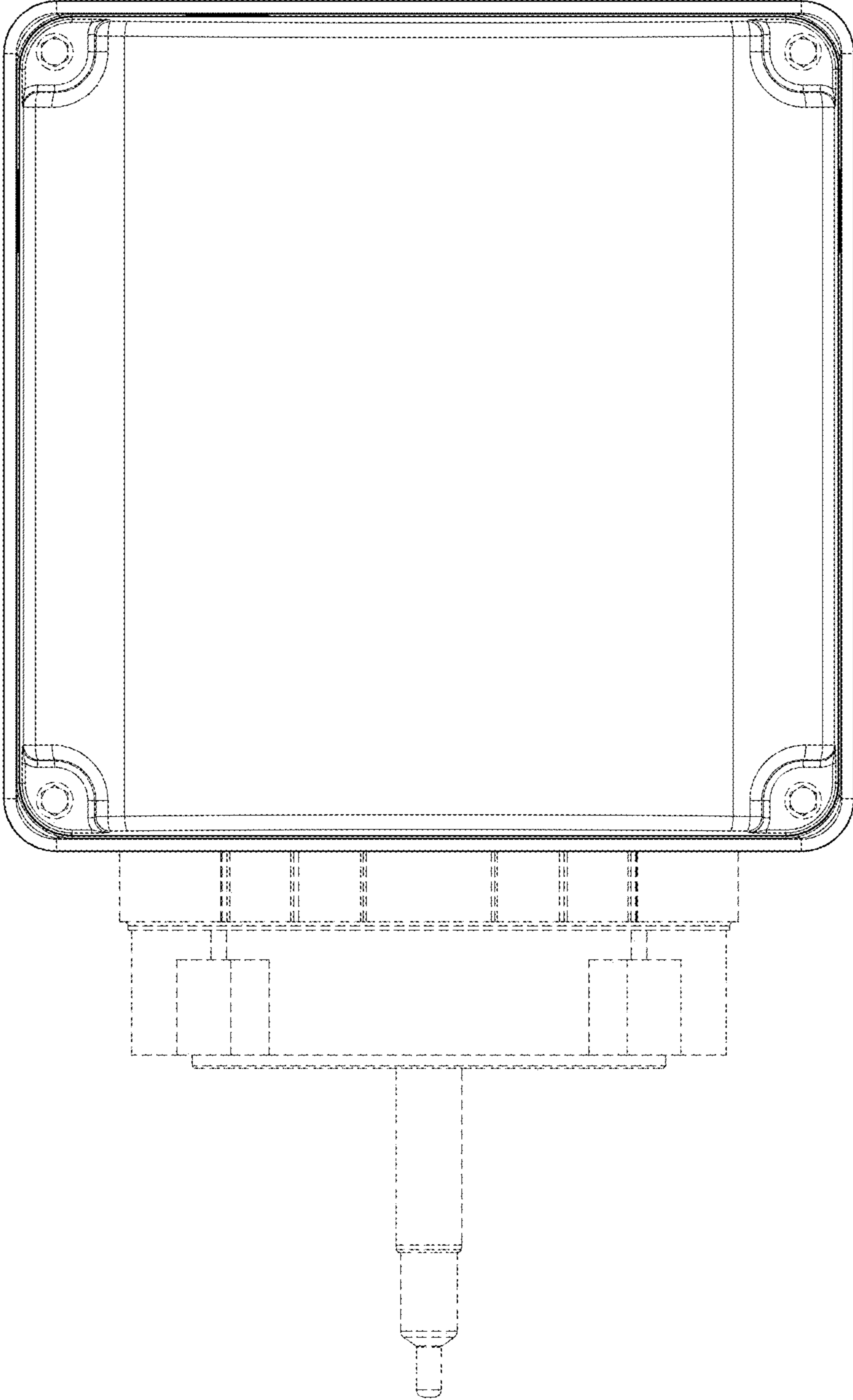


Fig. 6.

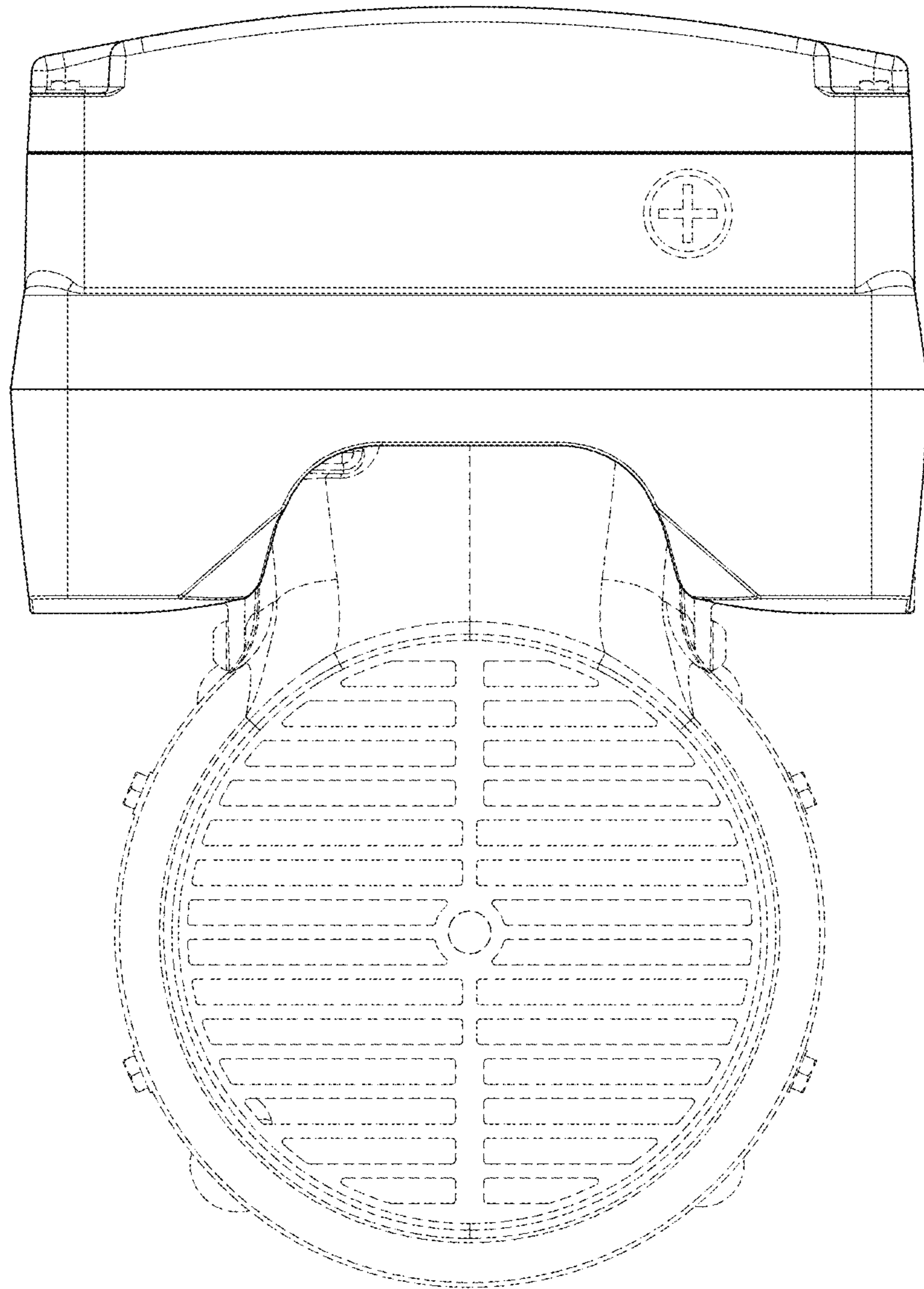


Fig. 7.