



US00D964277S

(12) **United States Design Patent**
Goto et al.

(10) **Patent No.:** **US D964,277 S**
(45) **Date of Patent:** **** Sep. 20, 2022**

(54) **BOX FOR CONVERTER**
(71) Applicant: **Mitsubishi Electric Corporation,**
Tokyo (JP)

D736,715 S * 8/2015 Gretz D13/152
D841,432 S * 2/2019 Nikayin D8/354
D871,347 S * 12/2019 Fioriello D13/152
D925,463 S * 7/2021 Loor Canizares D13/152
(Continued)

(72) Inventors: **Daisuke Goto,** Tokyo (JP); **Masahiro Katsumura,** Tokyo (JP); **Takeshi Obara,** Tokyo (JP)

OTHER PUBLICATIONS

Converter Boxes. (Design—© Questel) orbit.com. [Online PDF compilation of references] 50 pgs. Print Dates Range Oct. 19, 2020-Jun. 4, 2013 [Retrieved Feb. 17, 2022].*
(Continued)

(73) Assignee: **Mitsubishi Electric Corporation,**
Tokyo (JP)

(**) Term: **15 Years**

Primary Examiner — Manpreet S Matharu
Assistant Examiner — Suzanne E Tisdell
(74) *Attorney, Agent, or Firm* — Studebaker & Brackett PC

(21) Appl. No.: **29/750,176**

(22) Filed: **Sep. 11, 2020**

(30) **Foreign Application Priority Data**

(57) **CLAIM**

The ornamental design for a box for converter, as shown and described.

Apr. 21, 2020 (JP) 2020-008184 D
Apr. 21, 2020 (JP) 2020-008185 D

(51) **LOC (13) Cl.** **13-01**

DESCRIPTION

(52) **U.S. Cl.**
USPC **D13/112**

(58) **Field of Classification Search**
USPC D13/103, 106, 107, 108, 109, 110, 112,
D13/116, 118, 119, 152, 184, 199;
D14/432, 433, 434; D15/9.1, 9.2
CPC H02J 7/0027; F02N 11/12; H05K 5/00;
H02G 3/10
See application file for complete search history.

FIG. 1. is a front perspective view of the front, right, and top sides of a box for converter showing our new design;
FIG. 2. is a rear perspective view of the rear, left, and bottom sides thereof;
FIG. 3. is a front view thereof;
FIG. 4. is a rear view thereof;
FIG. 5. is a top plan view thereof;
FIG. 6. is a bottom plan view thereof;
FIG. 7. is a right side view thereof;
FIG. 8. is a left side view thereof;
FIG. 9. is a first reference view showing usage state thereof; and,
FIG. 10. is a second reference view showing usage state thereof.

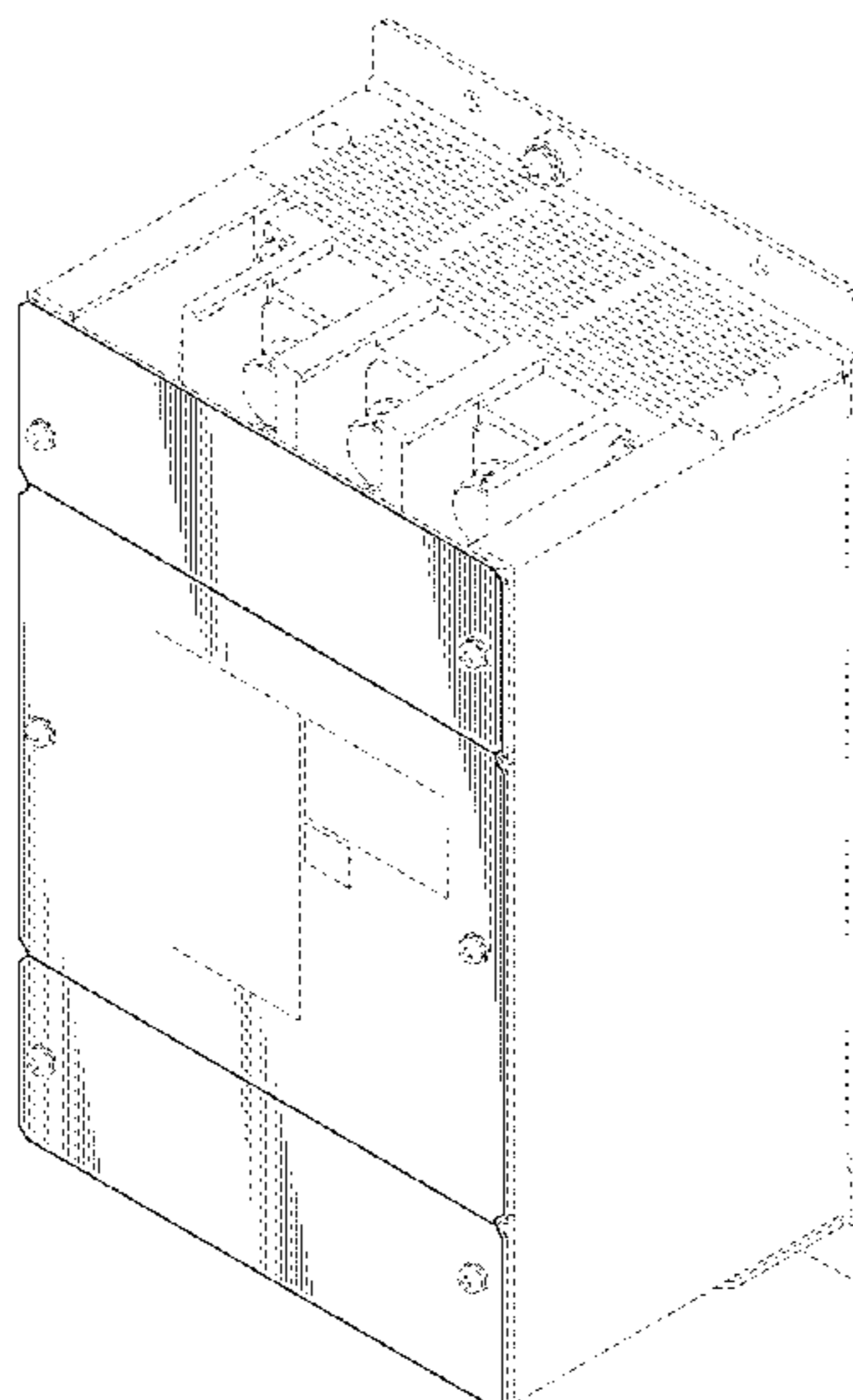
(56) **References Cited**

U.S. PATENT DOCUMENTS

D348,870 S * 7/1994 Warrington D13/152
D364,849 S * 12/1995 De Waal D13/177
D443,592 S * 6/2001 Frattini D13/152
D502,927 S * 3/2005 Zimmerman D13/156
D595,659 S * 7/2009 Maurer D13/152
D722,569 S * 2/2015 Osborne D13/152
D722,975 S * 2/2015 Debone D13/152

The broken lines shown represent portions of the box for converter and form no part of the claimed design.
The box for converter is a fuse box for converter.

1 Claim, 10 Drawing Sheets



(56)

References Cited

U.S. PATENT DOCUMENTS

D933,018 S * 10/2021 Jackson D13/152
D942,377 S * 2/2022 Szewczyk D13/107

OTHER PUBLICATIONS

Sigma Electric 1 Gang Weatherproof Box. Before Feb. 12, 2014. Lowe's. <https://www.lowes.com/pd/Sigma-Electric-1-Gang-Weatherproof-Box-1-Gang-Gray-Metal-Weatherproof-New-Work-Standard-Rectangular-Exterior-Electrical-Box/1098639#preview-review>.*

Weatherproof Rectangular Exterior Electrical Outlet Box. Aug. 28, 2017. Amazon, <https://www.amazon.com/Sealproof-Weatherproof-Rectangular-Exterior-Electrical/dp/B0756N8PVR?th=1>.*

Weatherproof Electrical Outlet Box Bronze. Jun. 19, 2014. Amazon, https://www.amazon.com/Made-Weatherproof-Electrical-Outlet-Holes/dp/B00L4E4HQE/ref=sr_1_36?keywords=Electrical+Box&qid=1645125607&sr=8-36.*

* cited by examiner

FIG. 1

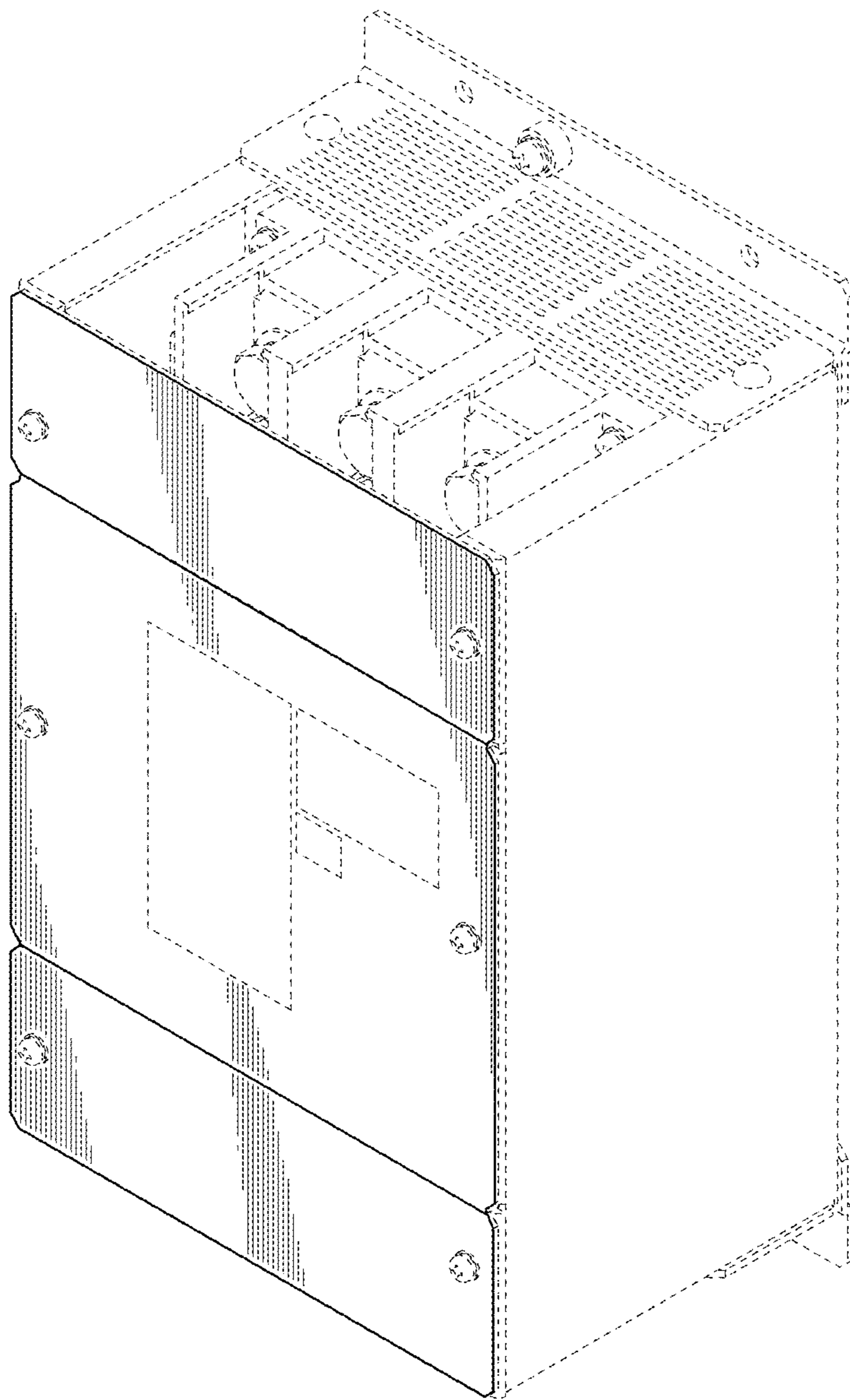


FIG. 2

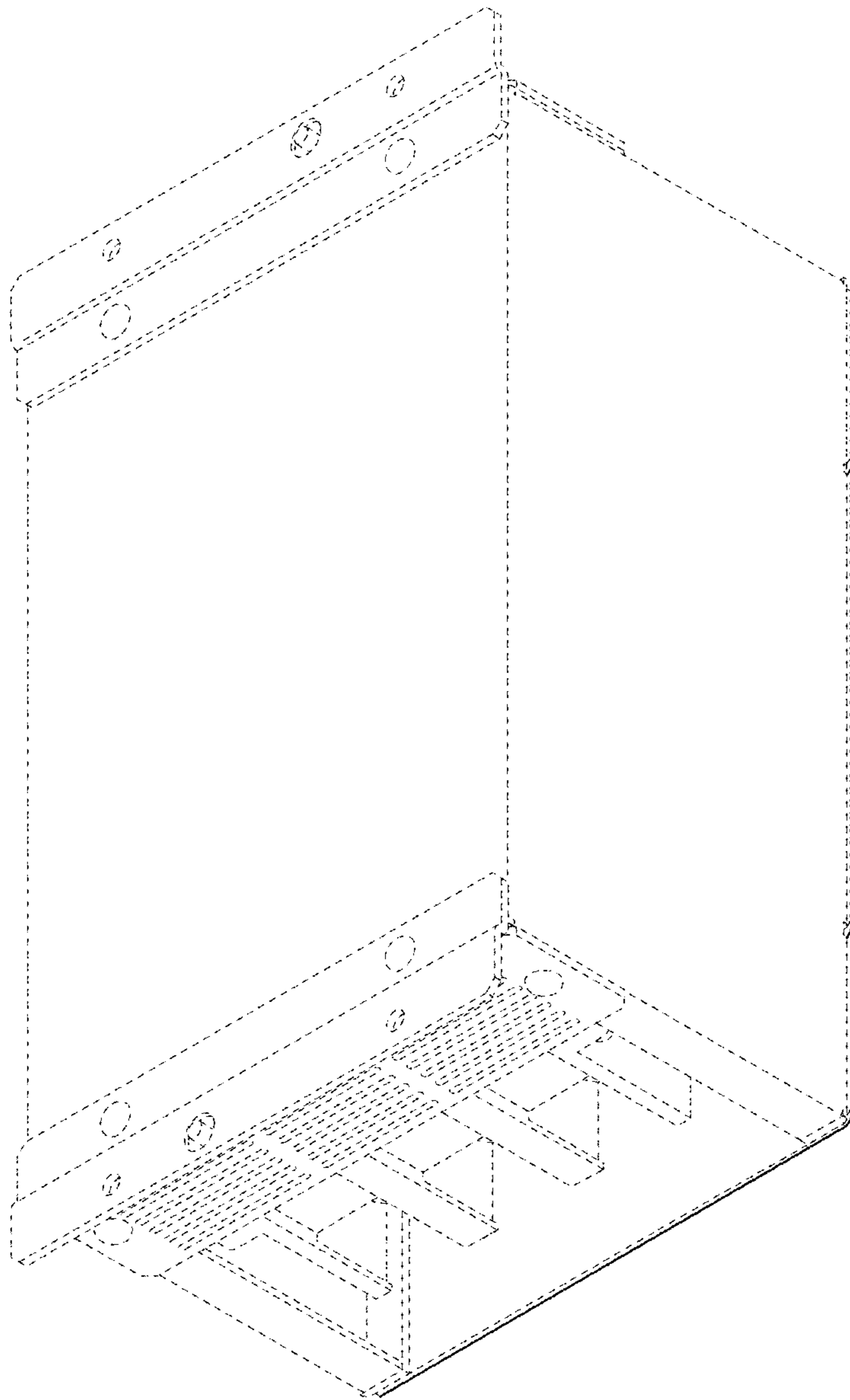


FIG. 3

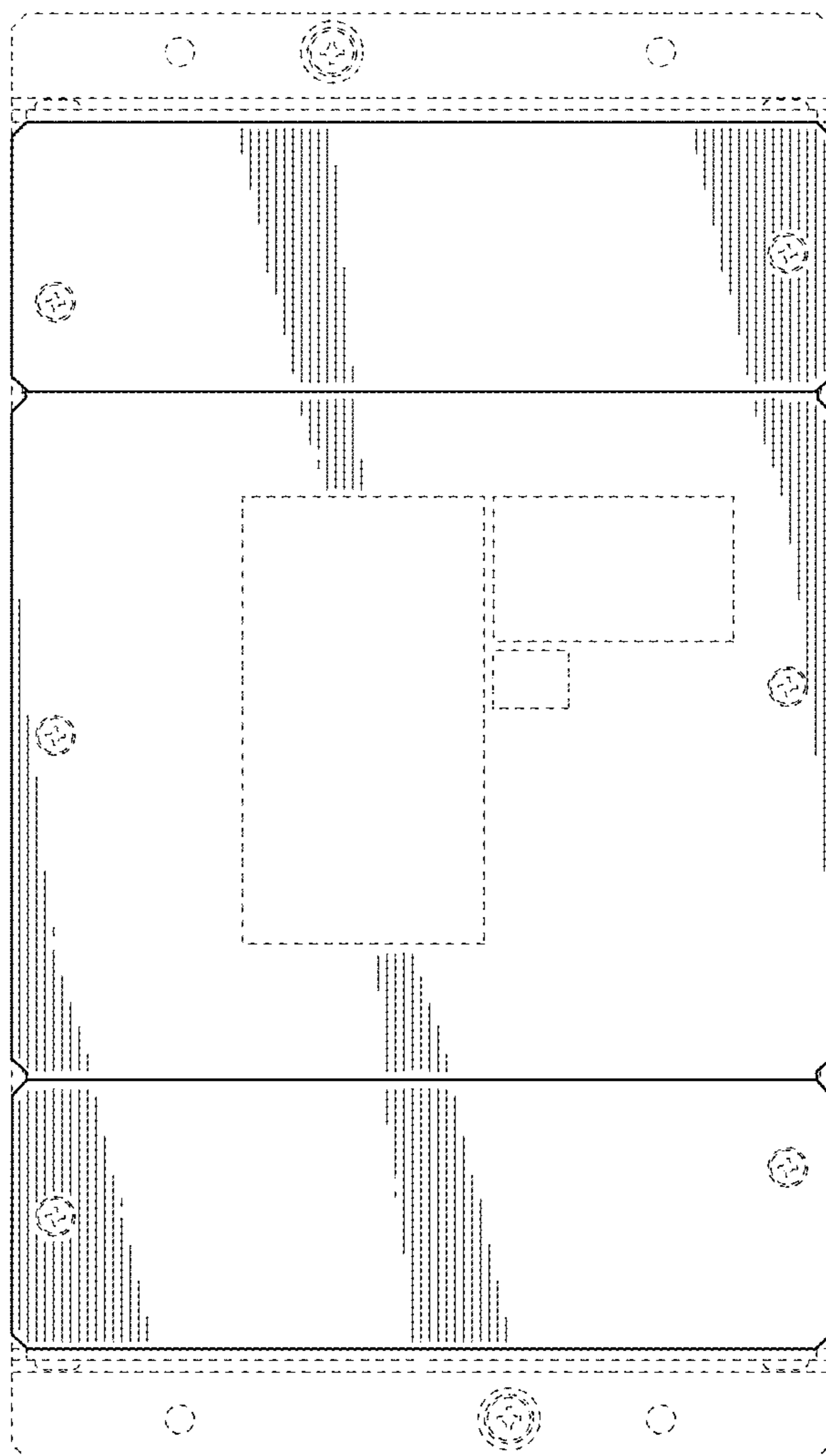


FIG. 4

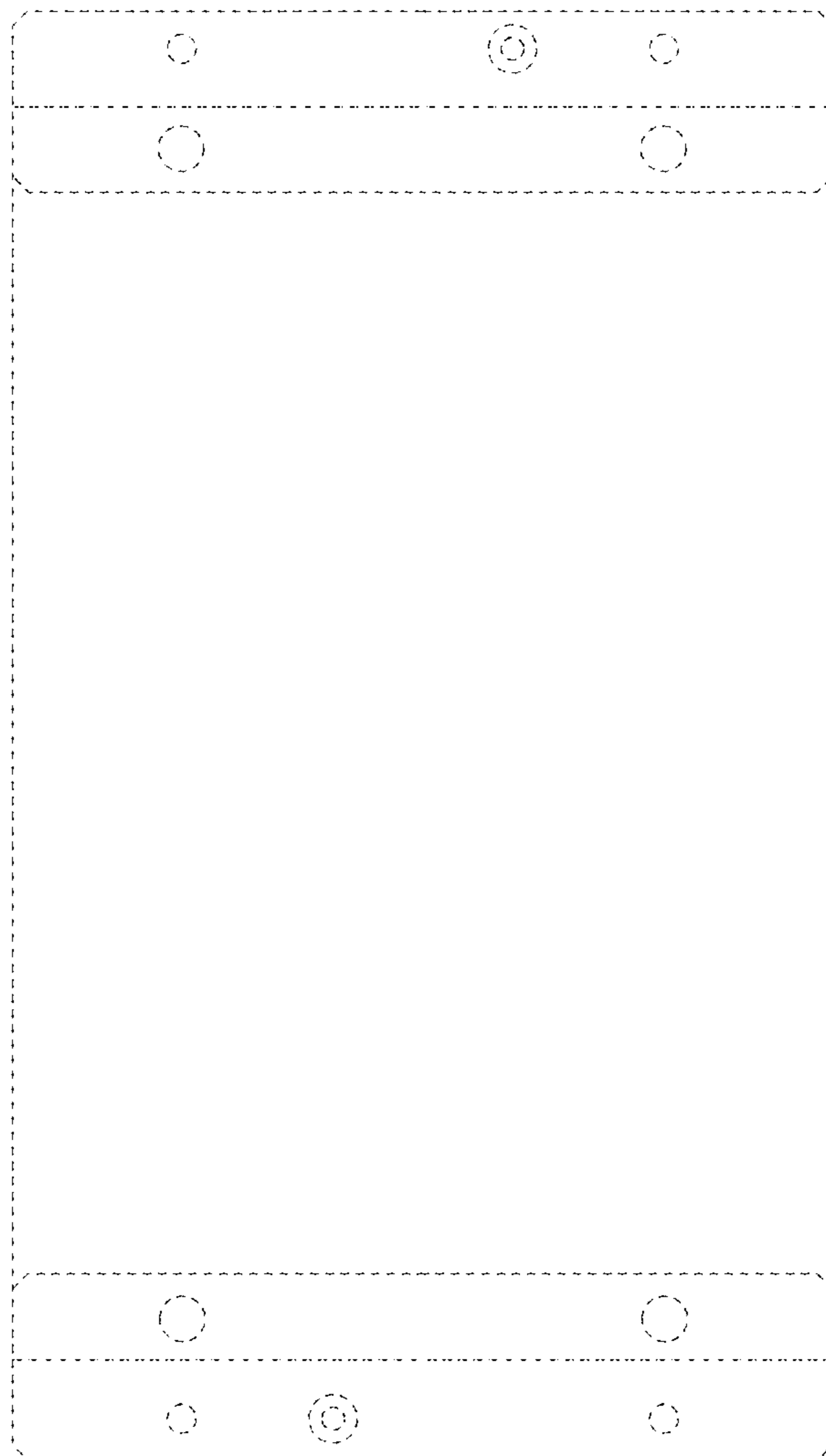


FIG. 5

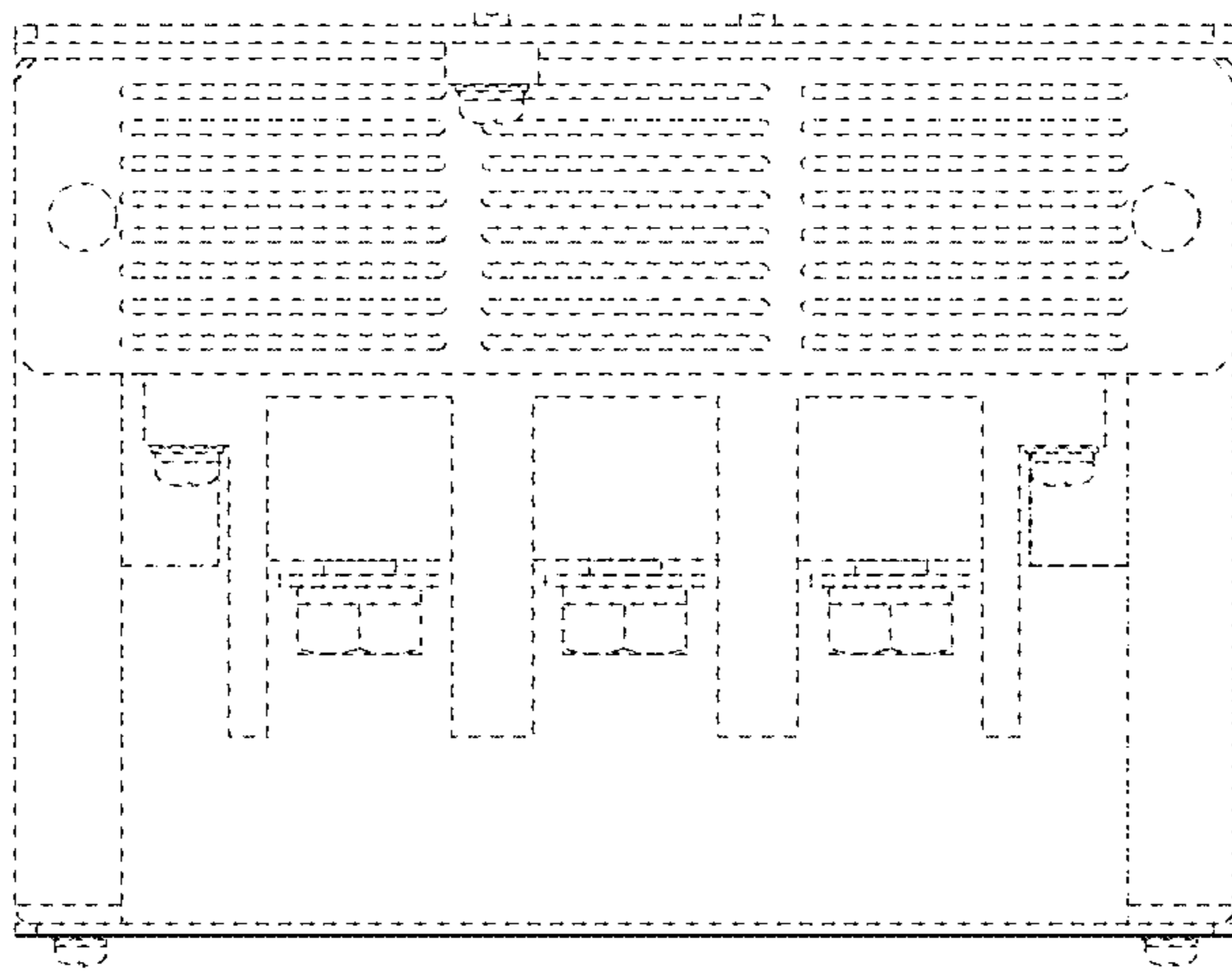


FIG. 6

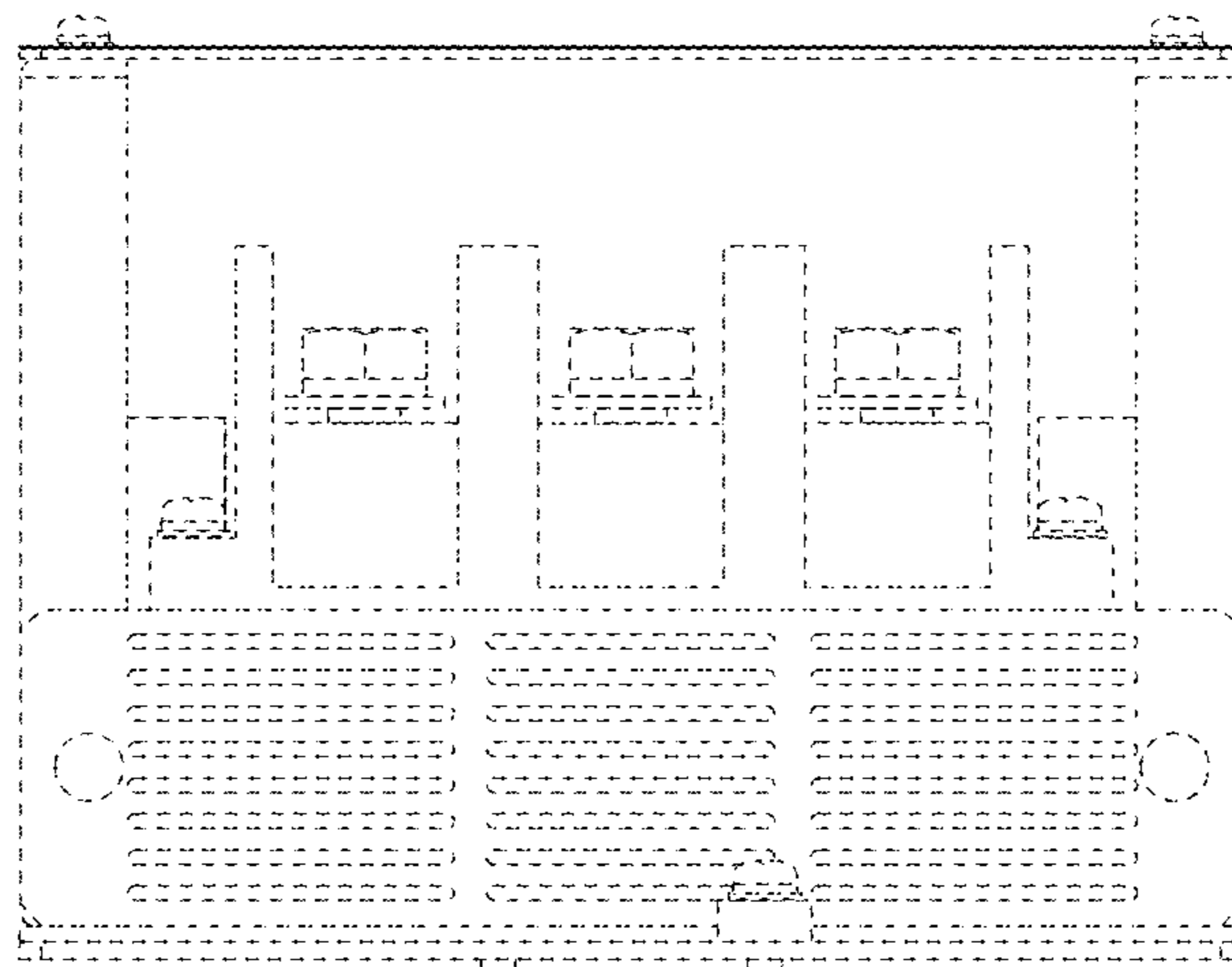


FIG. 7

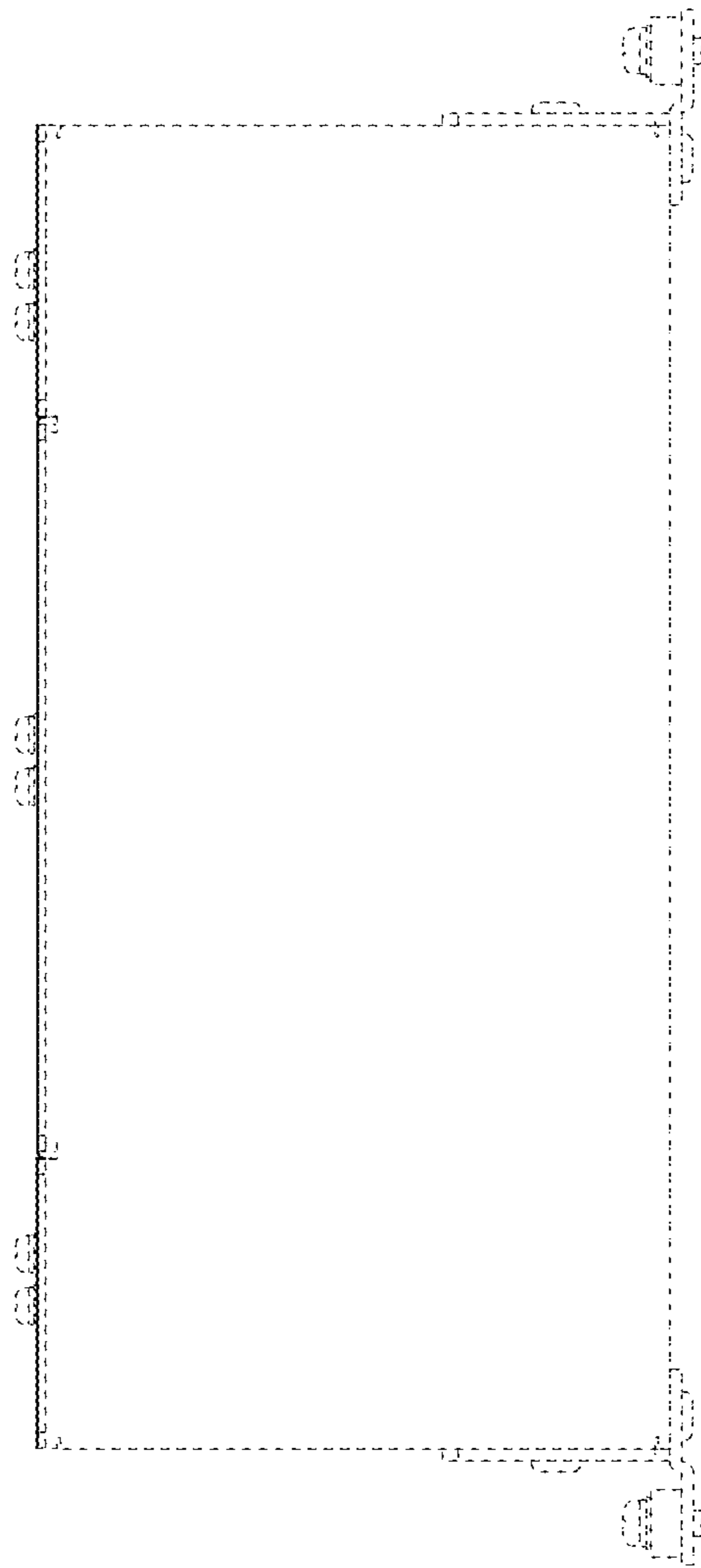


FIG. 8

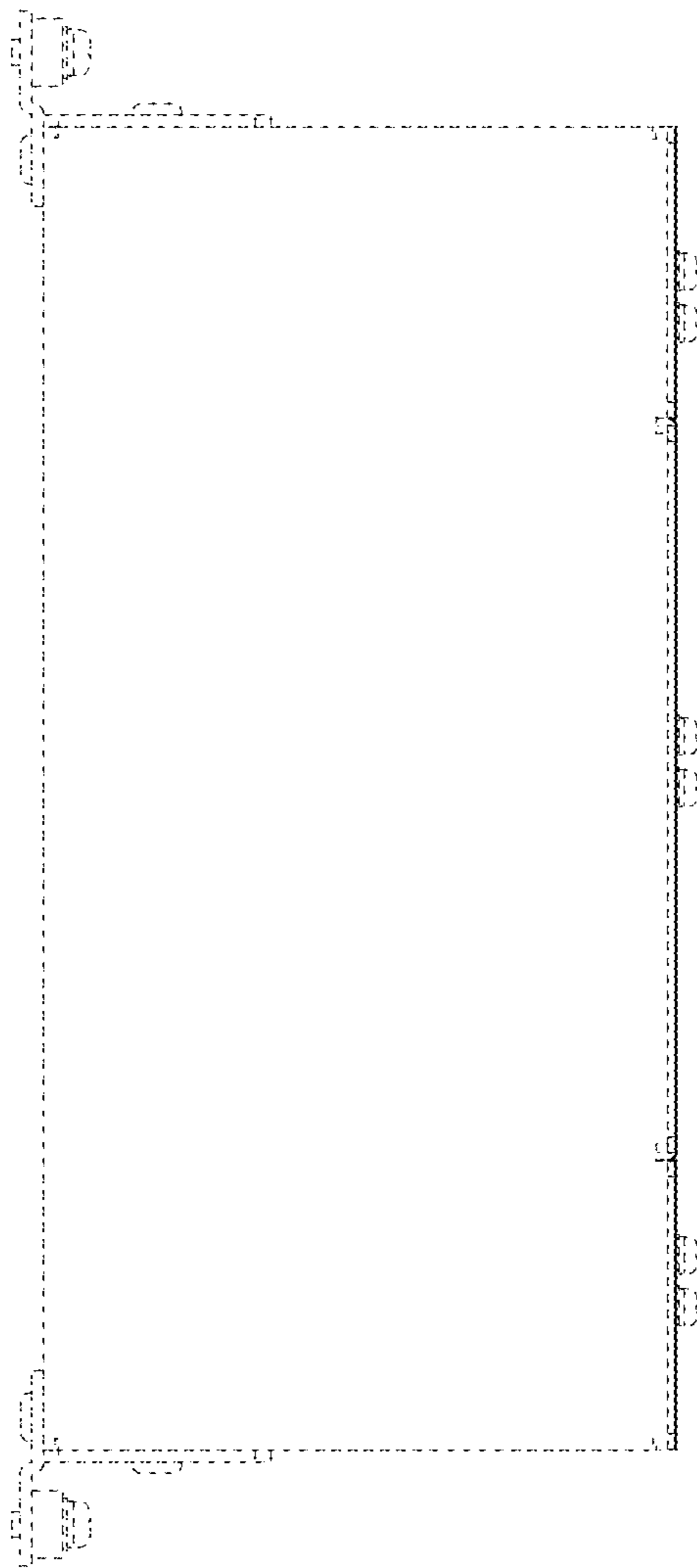


FIG. 9

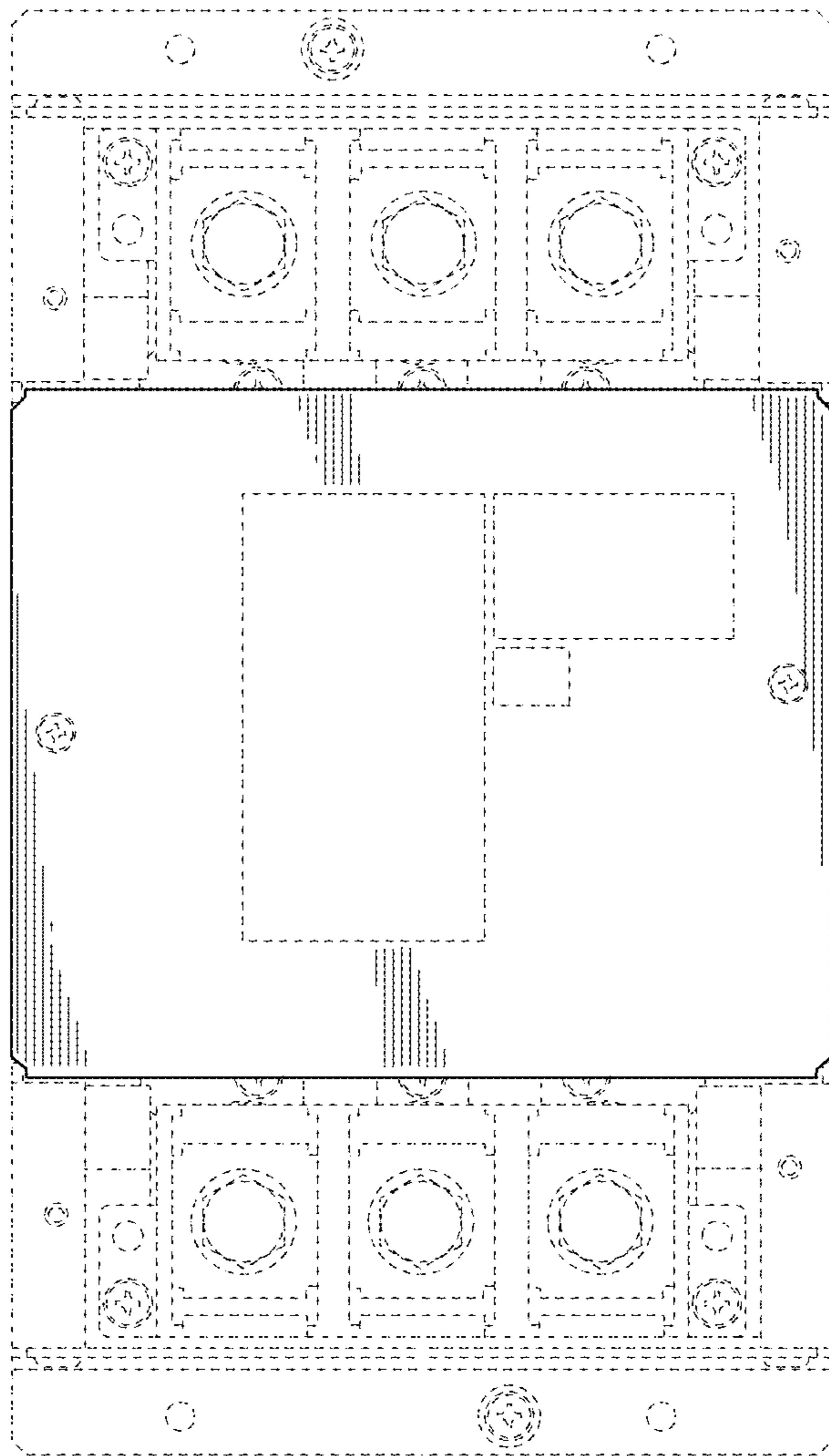


FIG. 10

