

US00D964275S

(12) **United States Design Patent**
Parcon

(10) **Patent No.:** **US D964,275 S**

(45) **Date of Patent:** **** Sep. 20, 2022**

(54) **BATTERY DOCK**

(71) Applicant: **Critical Tattoo Supply, LLC**, Orange, CA (US)

(72) Inventor: **Jadeanne Parcon**, Corona, CA (US)

(73) Assignee: **Critical Tattoo Supply, LLC**, Orange, CA (US)

(**) Term: **15 Years**

(21) Appl. No.: **29/827,939**

(22) Filed: **Feb. 23, 2022**

Related U.S. Application Data

(63) Continuation-in-part of application No. 29/757,579, filed on Nov. 6, 2020.

(51) **LOC (13) Cl.** **13-02**

(52) **U.S. Cl.**
USPC **D13/108**

(58) **Field of Classification Search**
USPC D13/103, 107, 108, 118, 119; D14/217, D14/432, 433, 434, 439, 447; D24/127, D24/128, 231
CPC H02J 7/00047; H02J 7/0049; H02J 50/05
See application file for complete search history.

(56) **References Cited**

U.S. PATENT DOCUMENTS

D278,703 S *	5/1985	Chiodo	D13/107
D476,659 S *	7/2003	Ying	D14/434
D520,447 S *	5/2006	Liu	D13/108
D530,667 S *	10/2006	Viduya	D13/107
D710,798 S *	8/2014	Awiszus	D13/107
D868,074 S *	11/2019	Paolizzi	D13/108
D902,212 S *	11/2020	Sjögren	D13/108
D908,616 S *	1/2021	Bonilla	D13/108

D929,323 S *	8/2021	Oba	D13/108
2004/0080298 A1 *	4/2004	Maggert	H02J 7/0013 320/107
2007/0244471 A1 *	10/2007	Malackowski	H02J 7/00036 606/1
2011/0121783 A1 *	5/2011	Boyles	H02J 7/0013 320/113
2013/0328523 A1 *	12/2013	Ota	H02J 7/0045 320/107

OTHER PUBLICATIONS

“Shure Microflex Wireless System”. Found online May 3, 2022 at youtube.com. Reference dated Oct. 23, 2019. Retrieved from https://www.youtube.com/watch?v=Kci59sQ1-Zo. (Year: 2019).*

(Continued)

Primary Examiner — Kendra Leslie Hamilton

Assistant Examiner — Amanda Christensen

(74) *Attorney, Agent, or Firm* — Kevin Schraven; Anooj Patel; Hankin Patent Law, APC

(57) **CLAIM**

The ornamental design for a battery dock, as shown and described.

DESCRIPTION

FIG. 1 is a top perspective view of a battery dock, showing my new design.

FIG. 2 is a bottom perspective view thereof.

FIG. 3 is a front elevational view thereof.

FIG. 4 is a rear elevational view thereof.

FIG. 5 is right-side elevational view thereof.

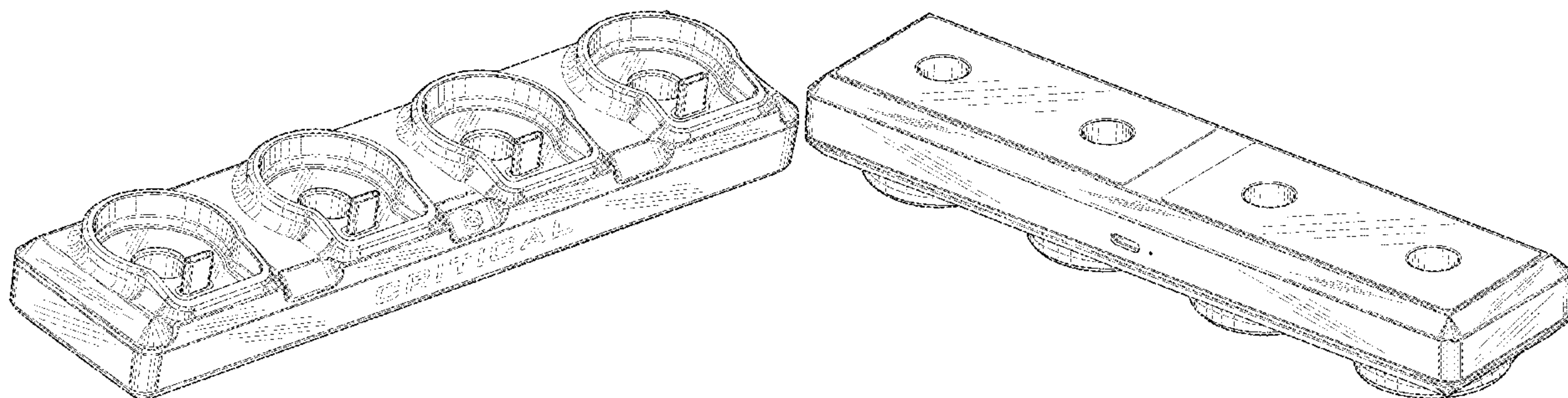
FIG. 6 is a left-side elevational view thereof.

FIG. 7 is a top plan view thereof; and,

FIG. 8 is a bottom plan view thereof.

The broken lines showing trademarks form no part of the claimed design.

1 Claim, 8 Drawing Sheets



(56)

References Cited

OTHER PUBLICATIONS

“Charger for Motorola”. Found online Apr. 7, 2021 at walmart.com. Reference dated Jul. 8, 2017. Retrieved from https://tineye.com/search/f5cfa7d76767123c6f1430550c3865f198de3ad5?sort=crawl_date&order=asc&page=1. (Year: 2017).*

“Impres Multi-Unit Charger”. Found online Apr. 6, 2021 at radiotwoway.com. Reference dated Mar. 7, 2014. Retrieved from https://tineye.com/search/a0483b62257489c4d720d75ee2423ebb0e386a78?sort=crawl_date&order=asc&page=1. (Year: 2014).*

* cited by examiner

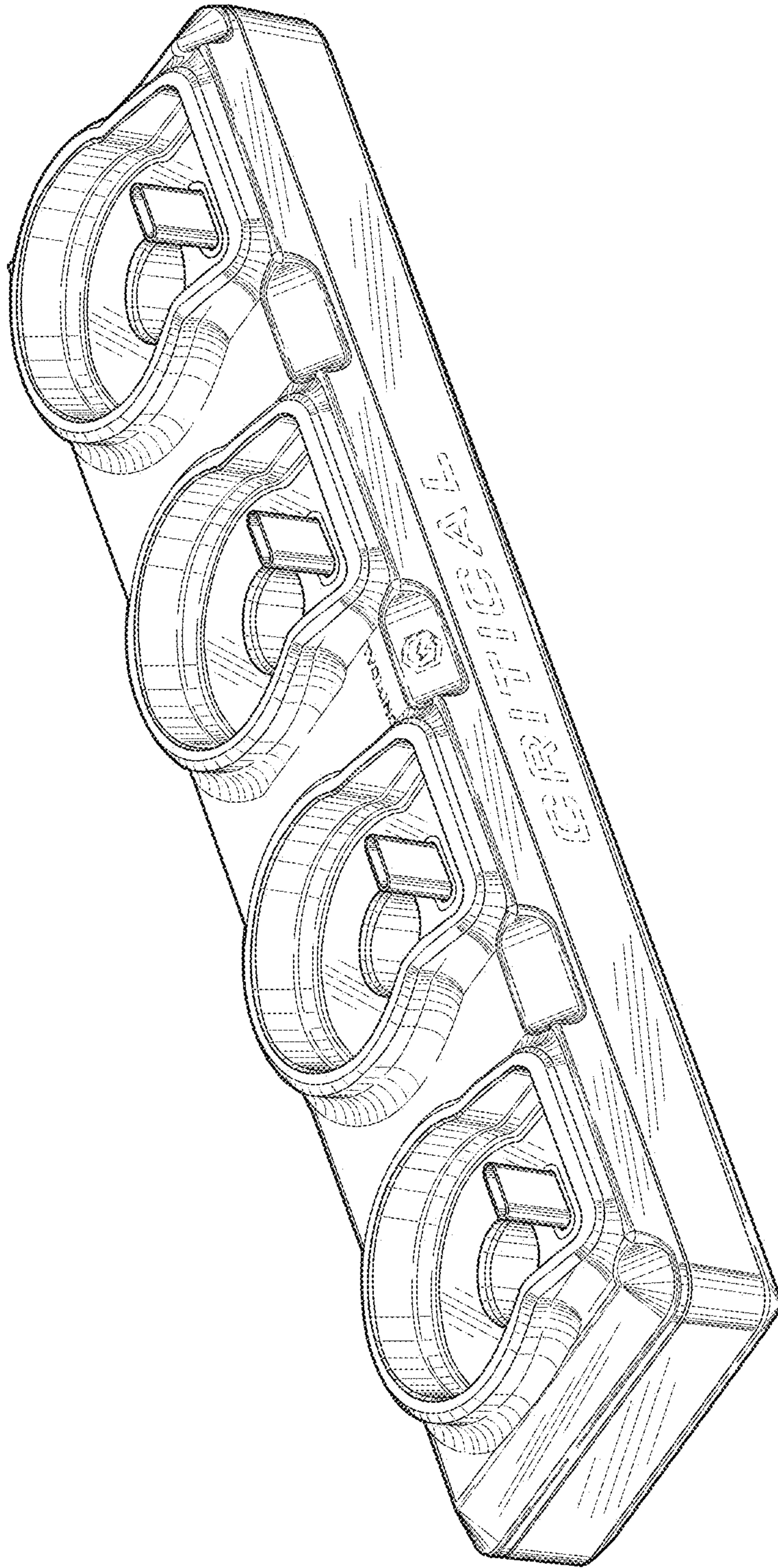


Fig.1

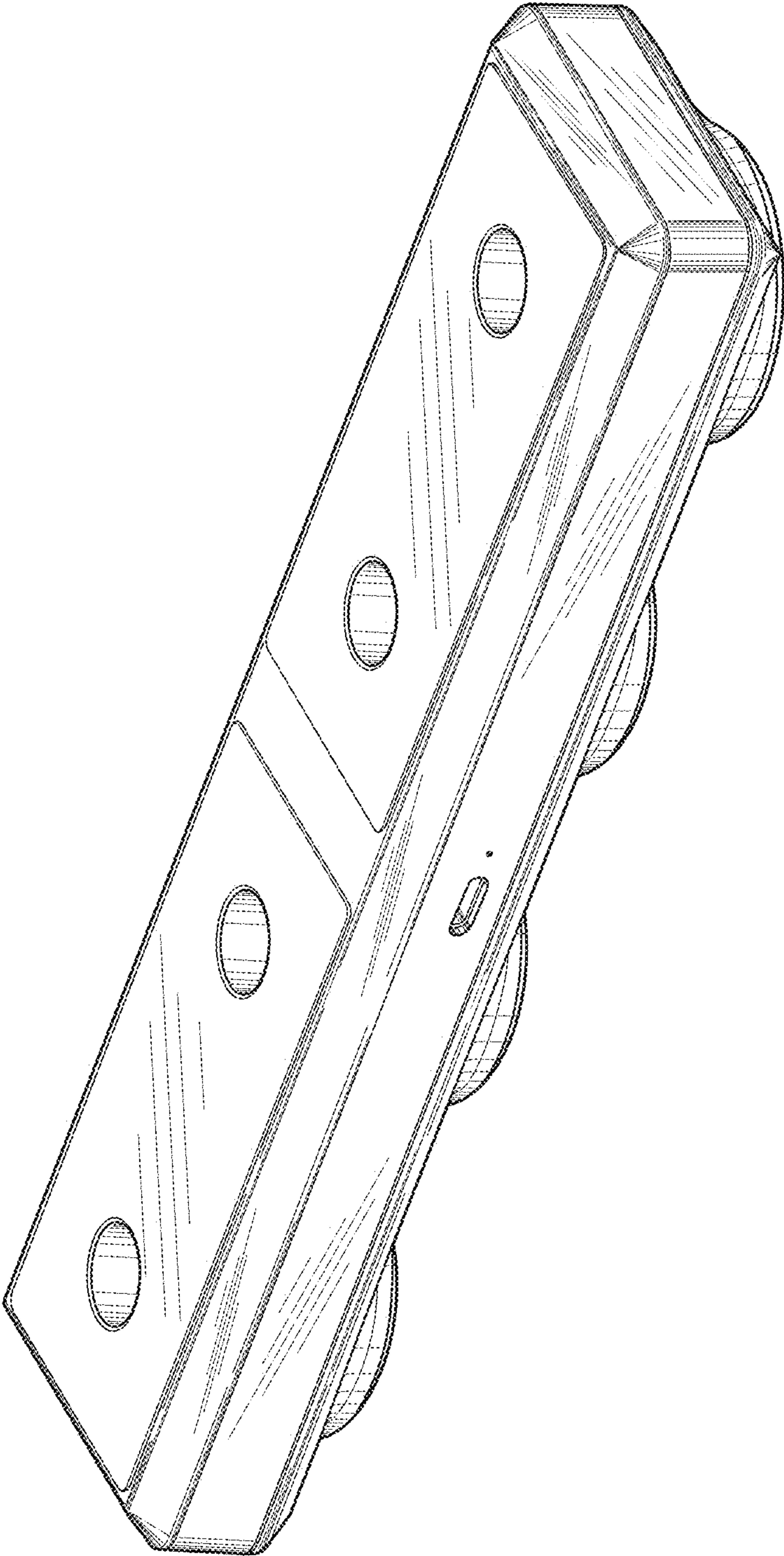


Fig. 2

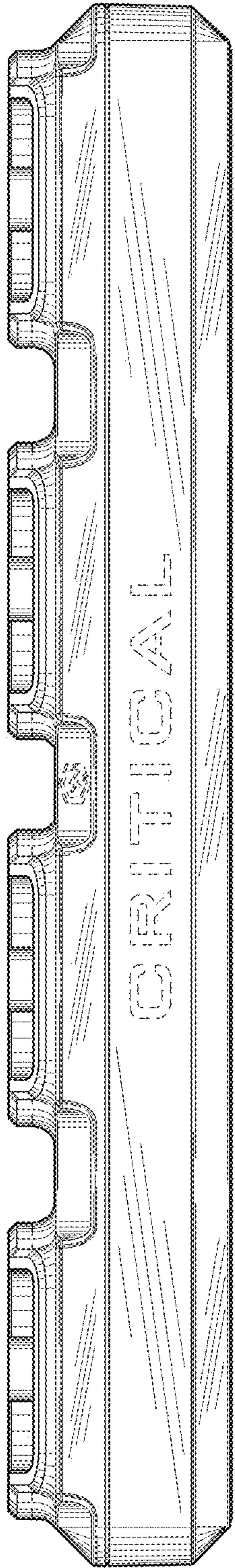


Fig. 3

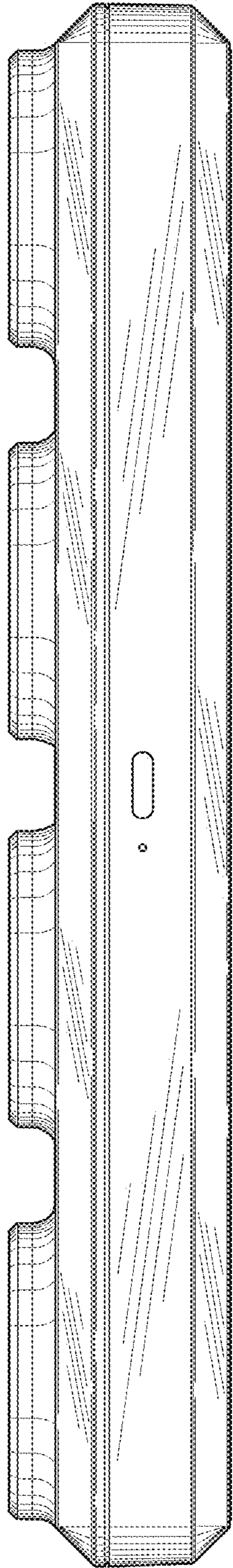


Fig.4

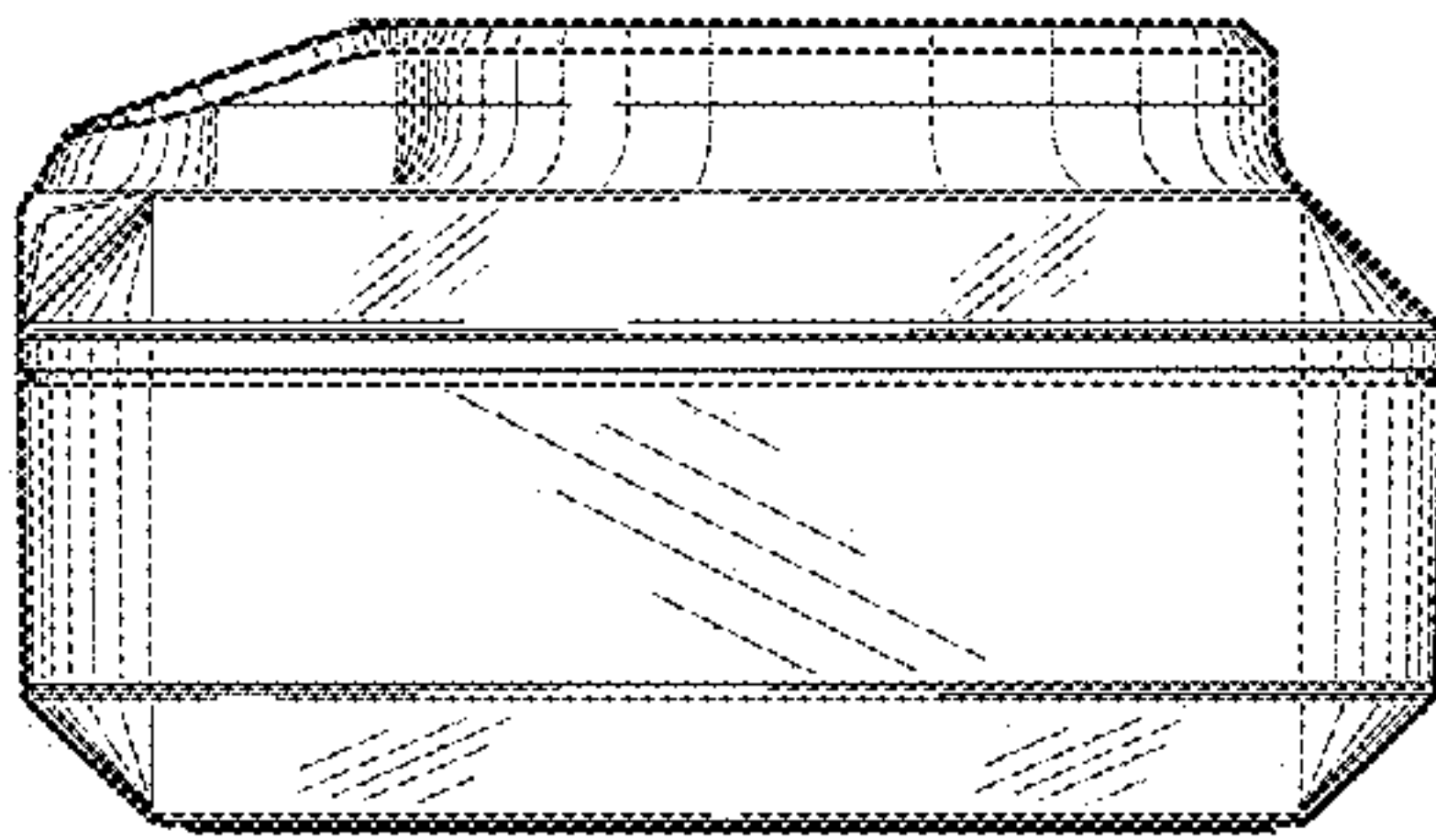


Fig.5

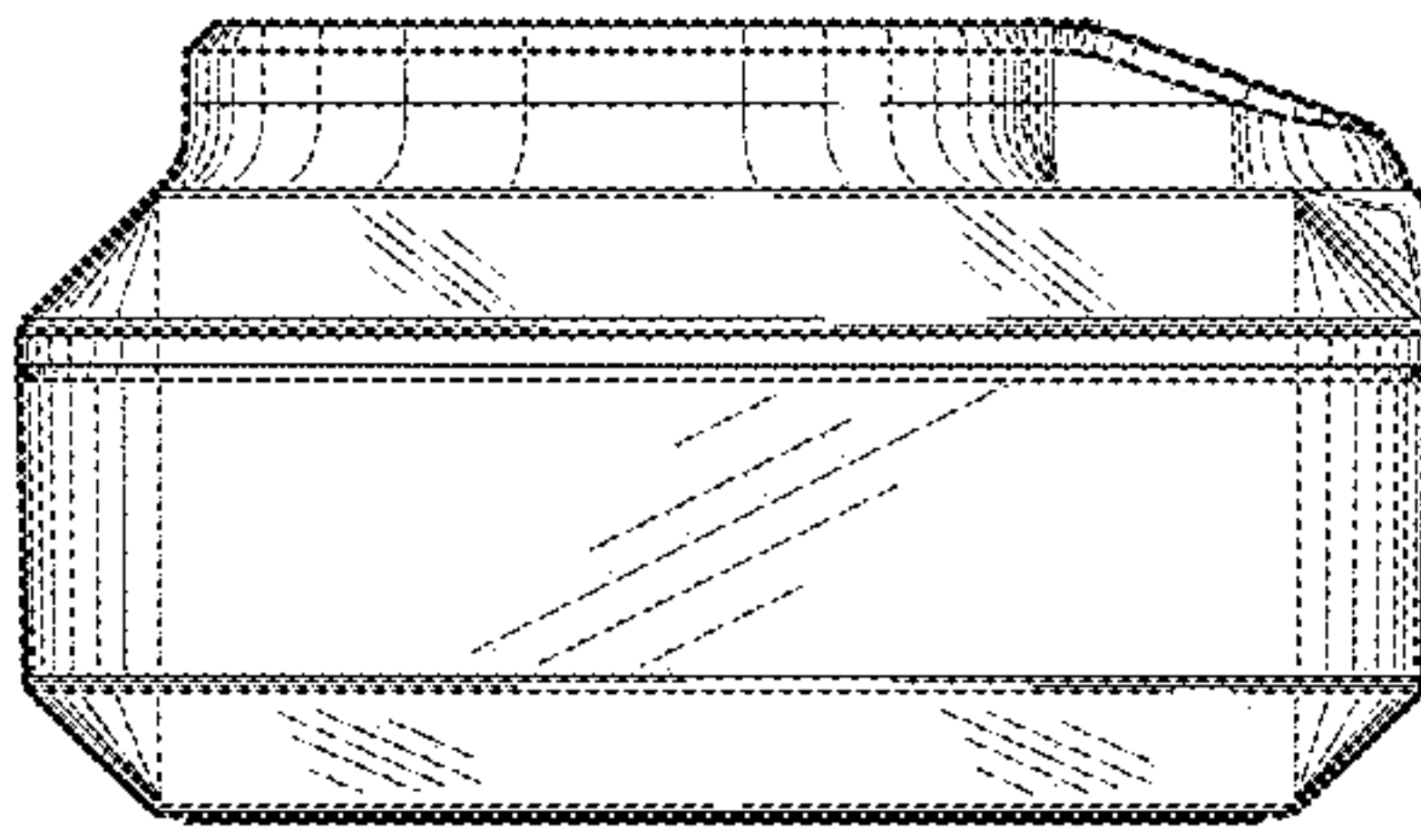


Fig.6

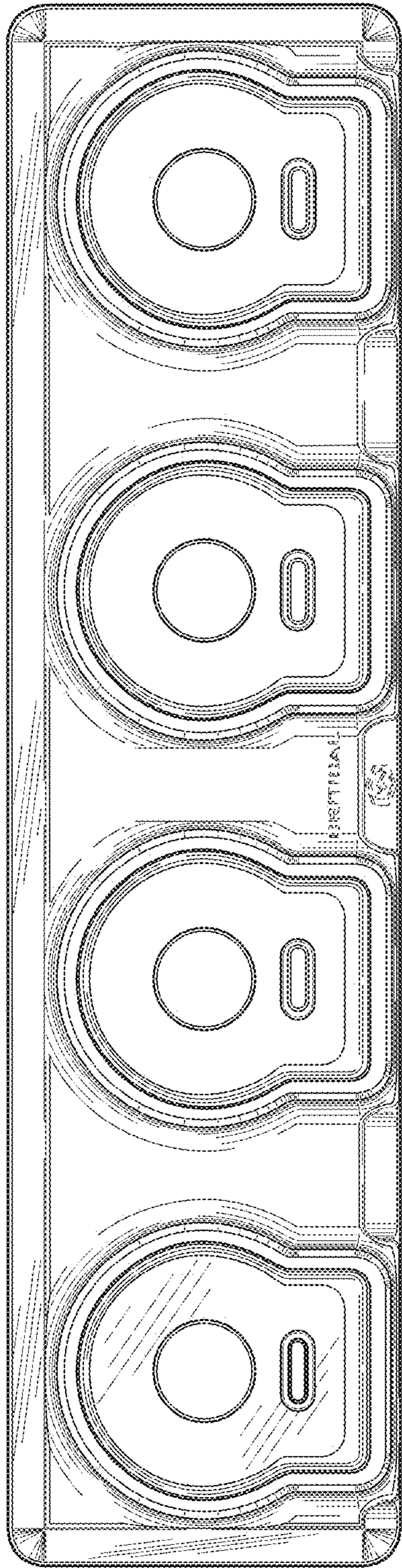


Fig. 7

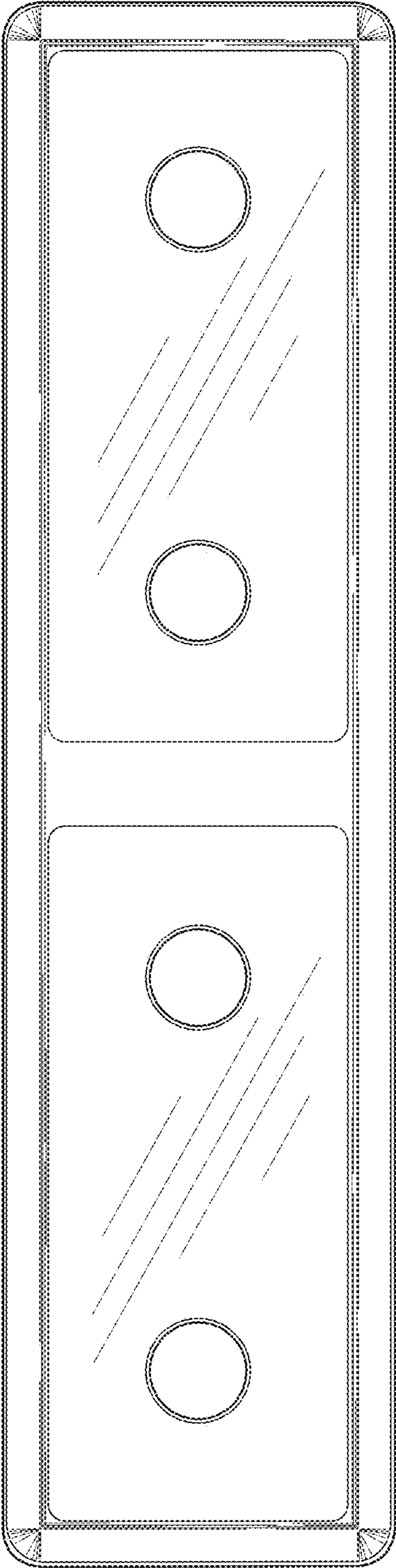


Fig. 8