



US00D964274S

(12) **United States Design Patent**
Liao

(10) **Patent No.:** **US D964,274 S**

(45) **Date of Patent:** **** Sep. 20, 2022**

(54) **WIRELESS CHARGER**

(71) Applicant: **GUANGDONG GOPOD GROUP HOLDING CO., LTD**, Shenzhen (CN)

(72) Inventor: **Zhuowen Liao**, Shenzhen (CN)

(73) Assignee: **Guangdong Gopod Group Holding Co., Ltd.**, Shenzhen (CN)

(**) Term: **15 Years**

(21) Appl. No.: **29/764,492**

(22) Filed: **Dec. 30, 2020**

(30) **Foreign Application Priority Data**

Nov. 13, 2020 (CN) 202030689125.6

(51) **LOC (13) Cl.** **13-02**

(52) **U.S. Cl.**
USPC **D13/108**

(58) **Field of Classification Search**

USPC D13/103, 107, 108, 118, 119; D14/224, D14/240, 251, 253, 432, 433, 434, 447

CPC H04B 1/3877; H02J 7/0049; H02J 15/00
See application file for complete search history.

(56) **References Cited**

U.S. PATENT DOCUMENTS

D733,156	S	*	6/2015	Choi	D14/447
D762,650	S	*	8/2016	Dang	D14/434
9,843,214	B2	*	12/2017	Peek	H02J 50/90
D851,587	S	*	6/2019	Schmidt	D13/108
D857,626	S	*	8/2019	Zhang	D13/108
D884,622	S	*	5/2020	Huang	D13/108
D904,387	S	*	12/2020	Zhang	D14/447
D904,978	S	*	12/2020	Liao	D13/108
D911,941	S	*	3/2021	Lee	D13/108

D942,389	S	*	2/2022	Sun	D14/447
D944,788	S	*	3/2022	Huang	D14/253
2014/0263884	A1	*	9/2014	Grziwok	F16M 11/08 248/176.3
2020/0185952	A1	*	6/2020	Morrow	H02J 50/005

OTHER PUBLICATIONS

“Magsafe Wireless Charger”. Found online Apr. 5, 2022 at facebook.com. Reference dated Nov. 23, 2020. Retrieved from <https://www.facebook.com/Future.Charger.Official/photos/pcb.116646993593354/116642846927102/>. (Year: 2020).*

(Continued)

Primary Examiner — Kendra Leslie Hamilton

Assistant Examiner — Amanda Christensen

(74) *Attorney, Agent, or Firm* — Wolf, Greenfield & Sacks, P.C.

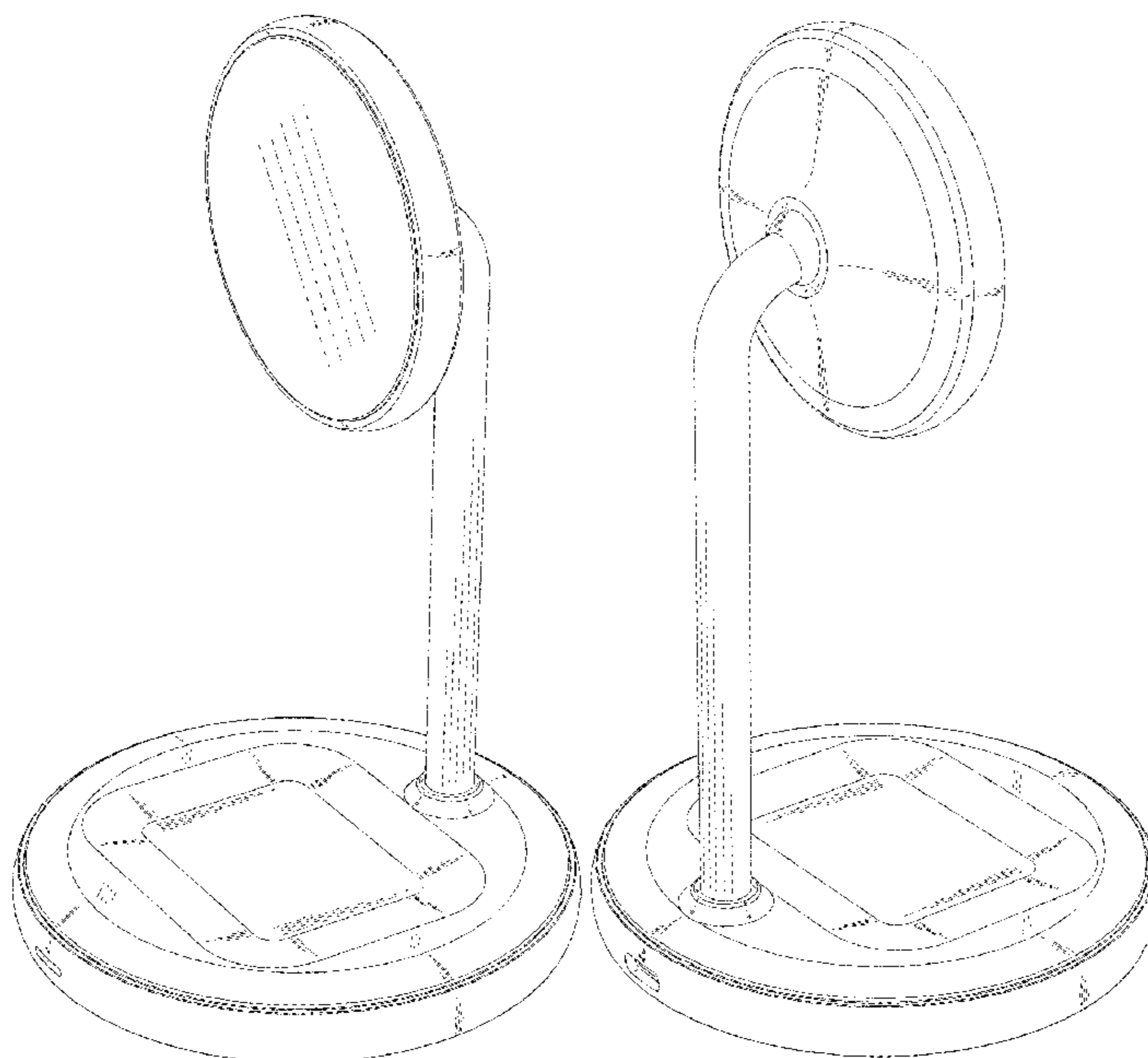
(57) **CLAIM**

The ornamental design for a wireless charger, as shown and described.

DESCRIPTION

FIG. 1 is a top, front, right side perspective view of a wireless charger, shown in a first configuration;
 FIG. 2 is a top, rear, left side perspective view thereof;
 FIG. 3 is a front view thereof;
 FIG. 4 is a rear view thereof;
 FIG. 5 is a left side view thereof;
 FIG. 6 is a right side view thereof;
 FIG. 7 is a top view thereof;
 FIG. 8 is a bottom view thereof;
 FIG. 9 is a bottom, rear, right side perspective view thereof;
 FIG. 10 is a top, front, right side perspective view of the wireless charger, shown in a second configuration with the upper plate inclined; and,
 FIG. 11 is a top, rear, left side perspective view thereof.

1 Claim, 11 Drawing Sheets



(56)

References Cited

OTHER PUBLICATIONS

“Mangotek Apple Watch Charging Stand”. Found online Feb. 10, 2021 at amazon.com. Reference dated Aug. 18, 2017. Retrieved from <https://www.amazon.com/Mangotek-Charging-Magnetic-Nightstand-Certified/dp/B074XG56YV/>. (Year: 2017).*

“Black Fin Charging Stand”. Found online Feb. 10, 2021 at amazon.sg. Reference dated Jul. 12, 2018. Retrieved from <https://www.amazon.sg/Black-Fin-Charging-Stand-Sliver/dp/B07FK2SGS4>. (Year: 2018).*

* cited by examiner

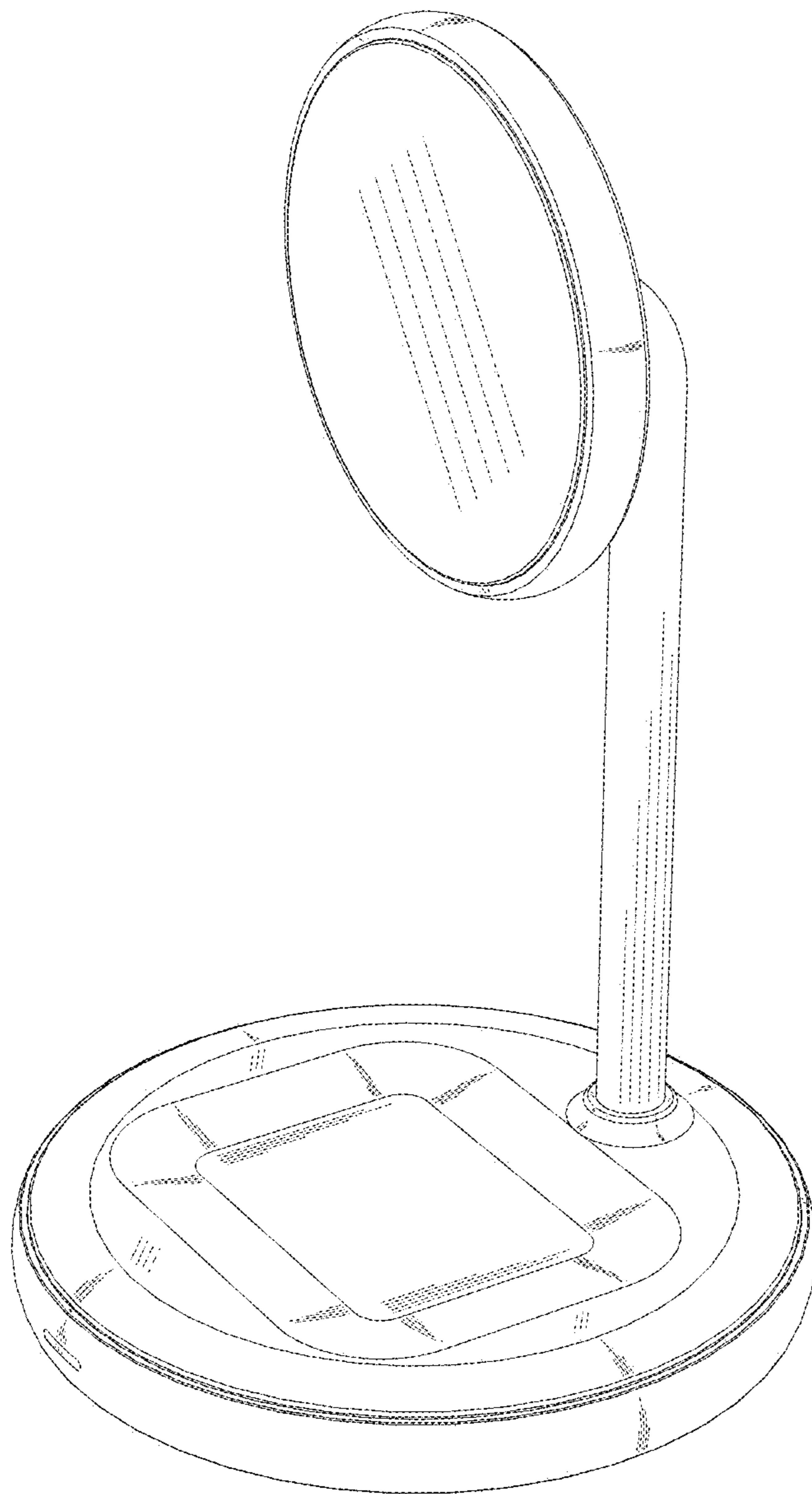


FIG. 1

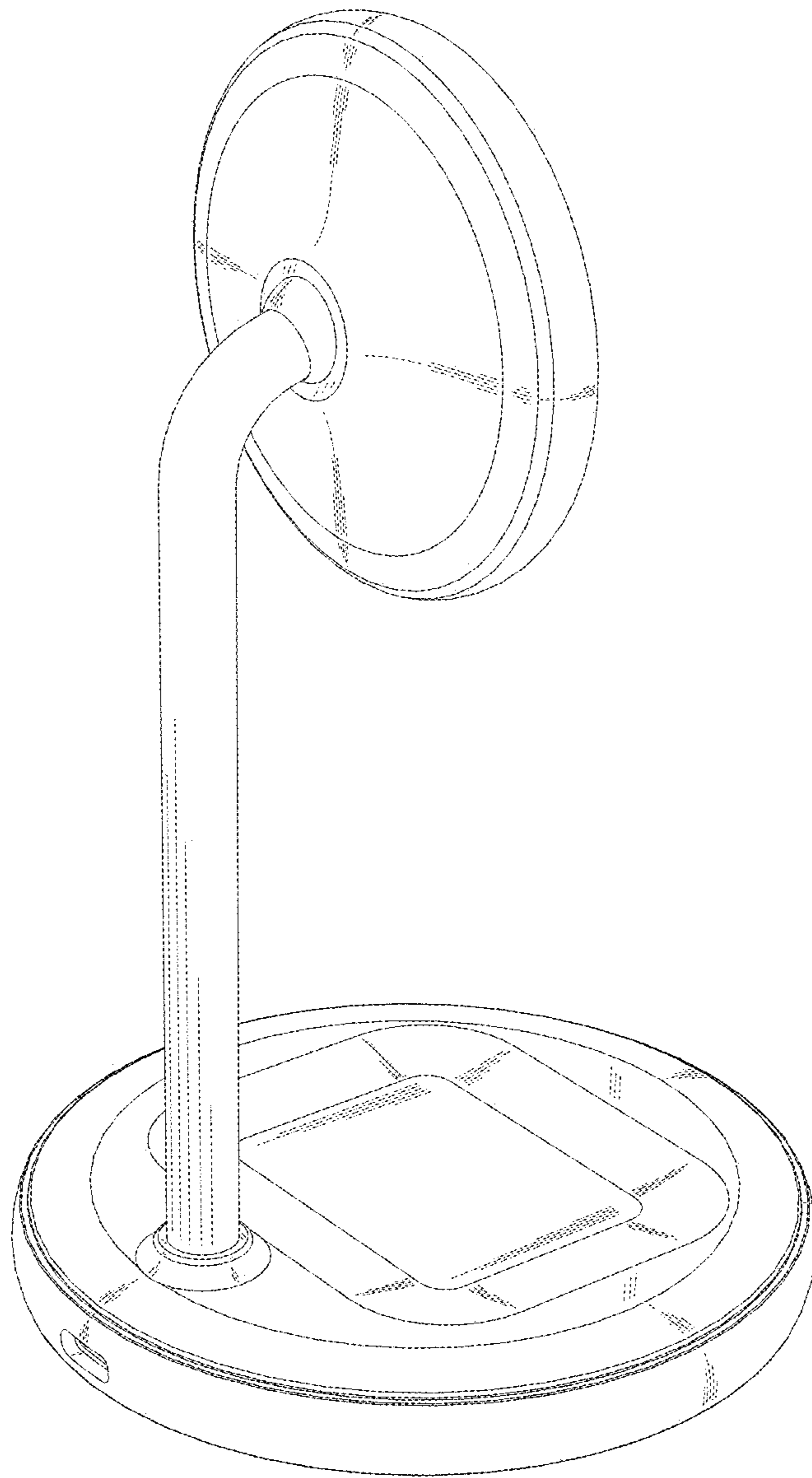


FIG. 2

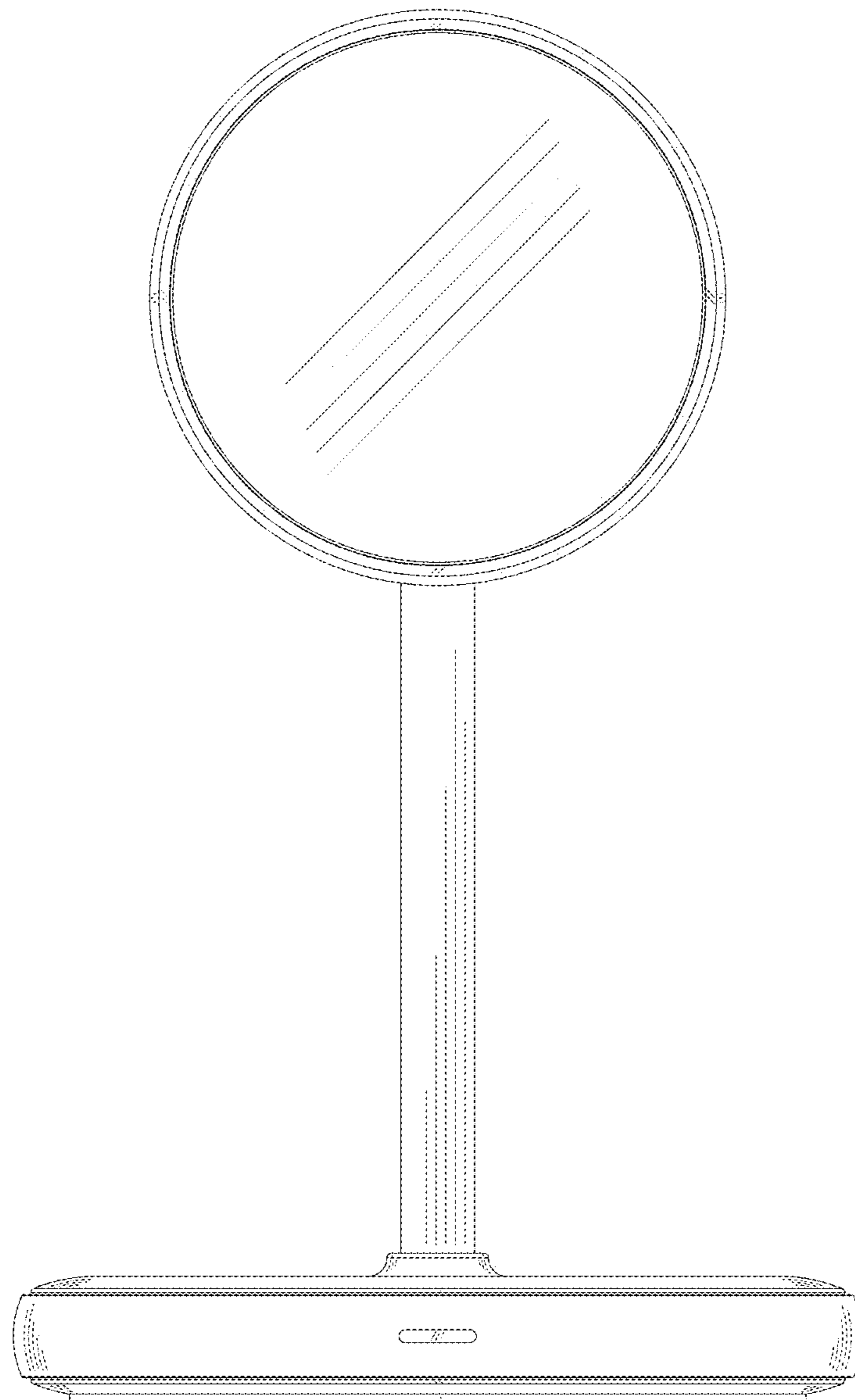


FIG. 3

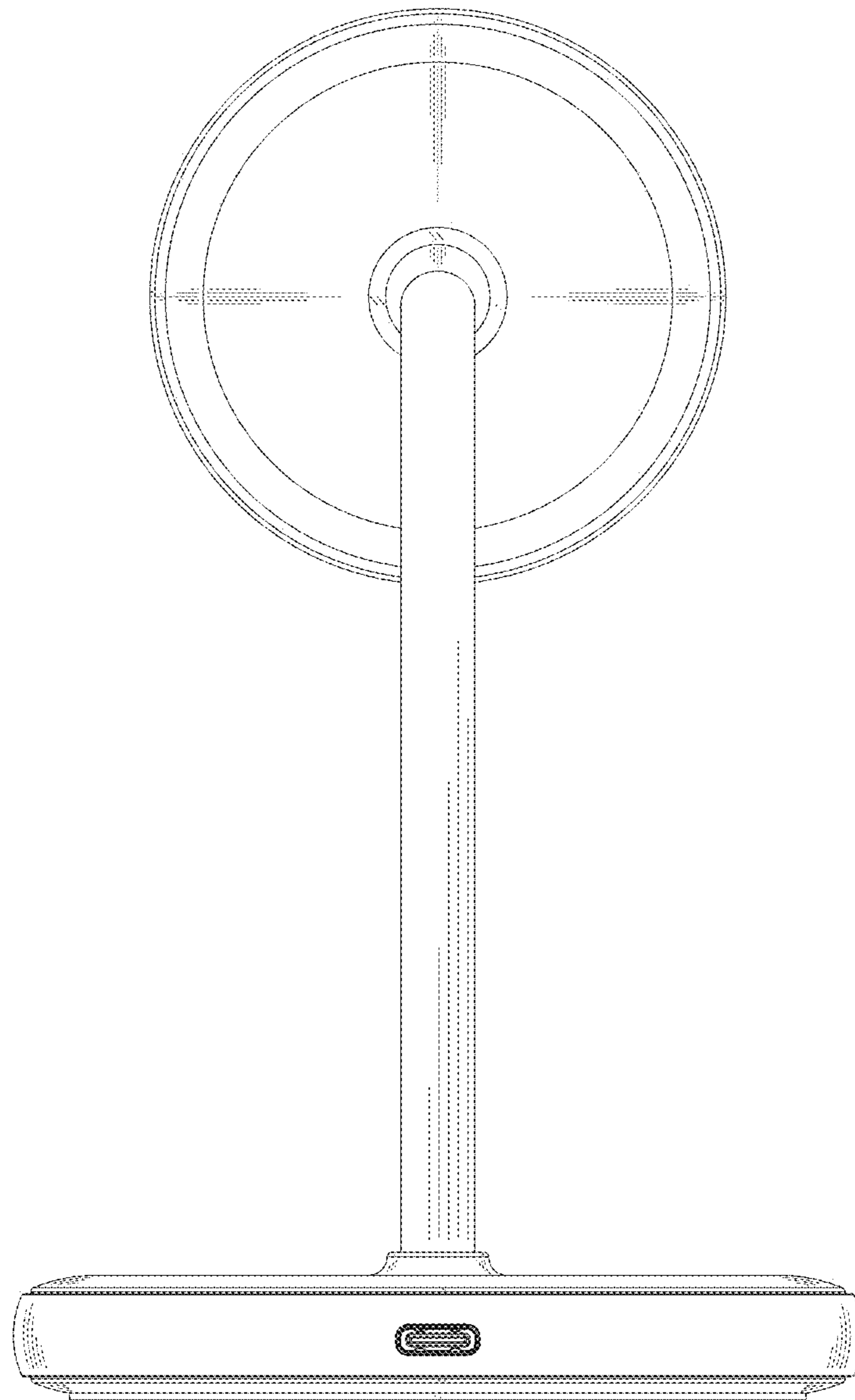


FIG.4

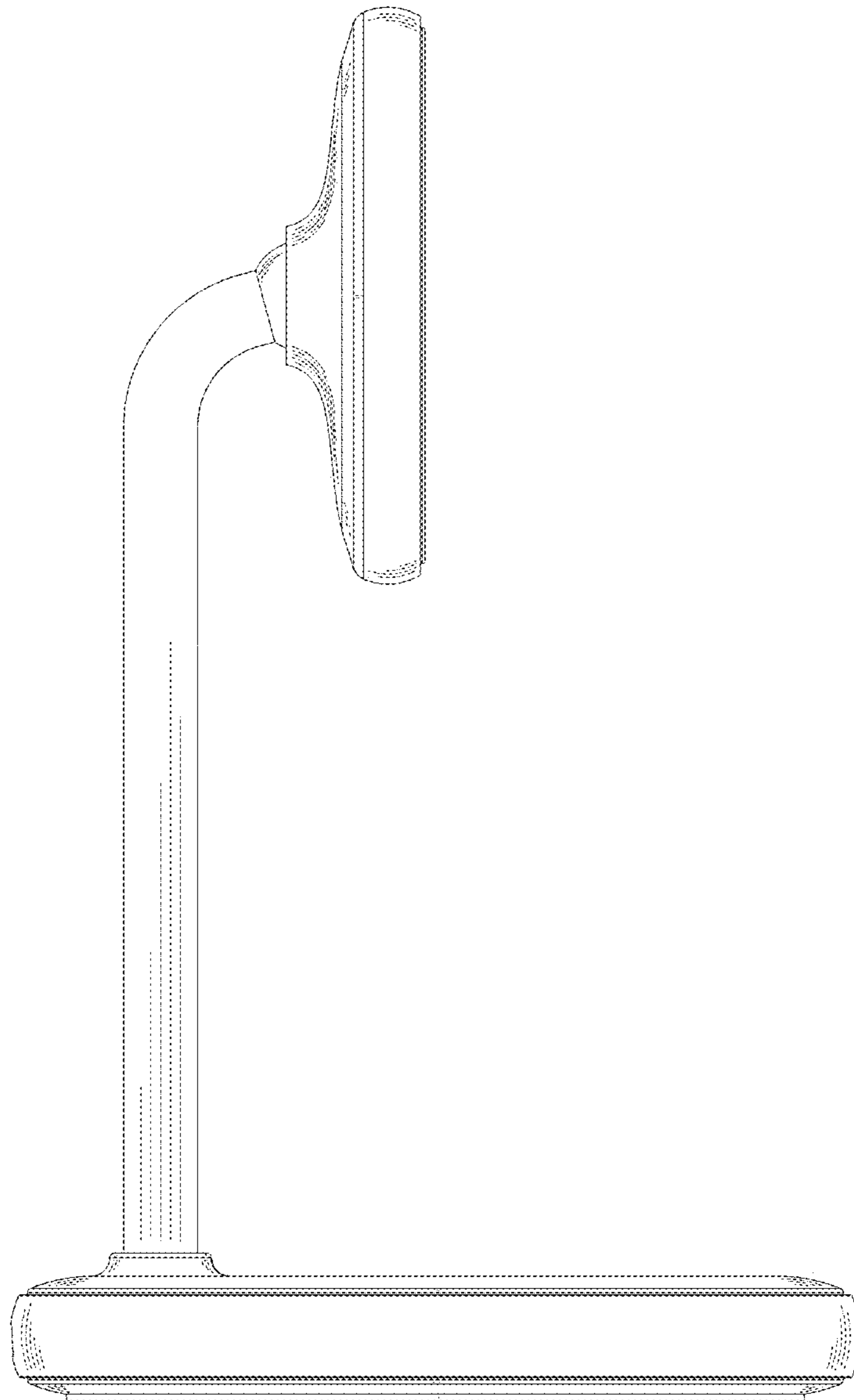


FIG. 5

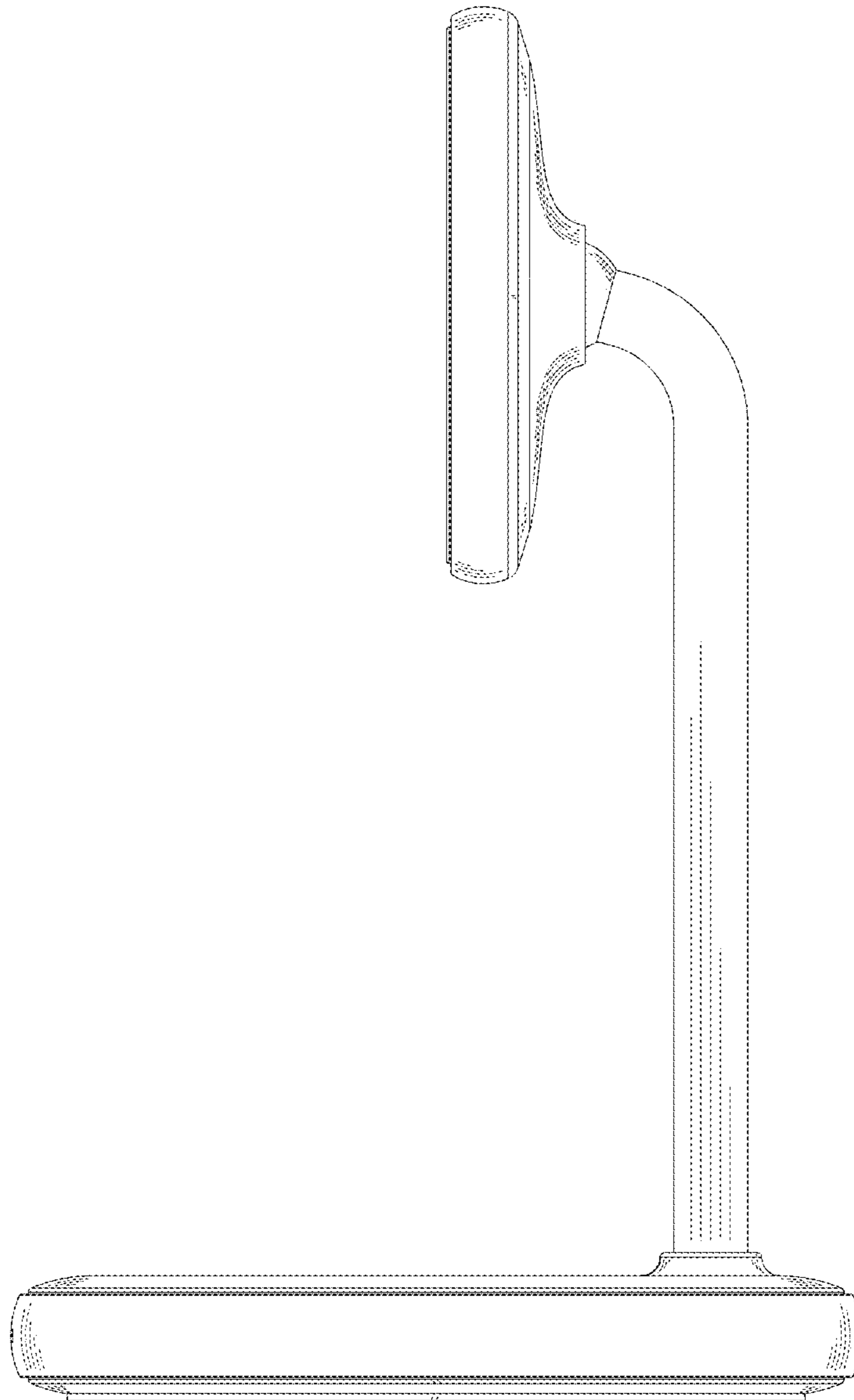


FIG. 6

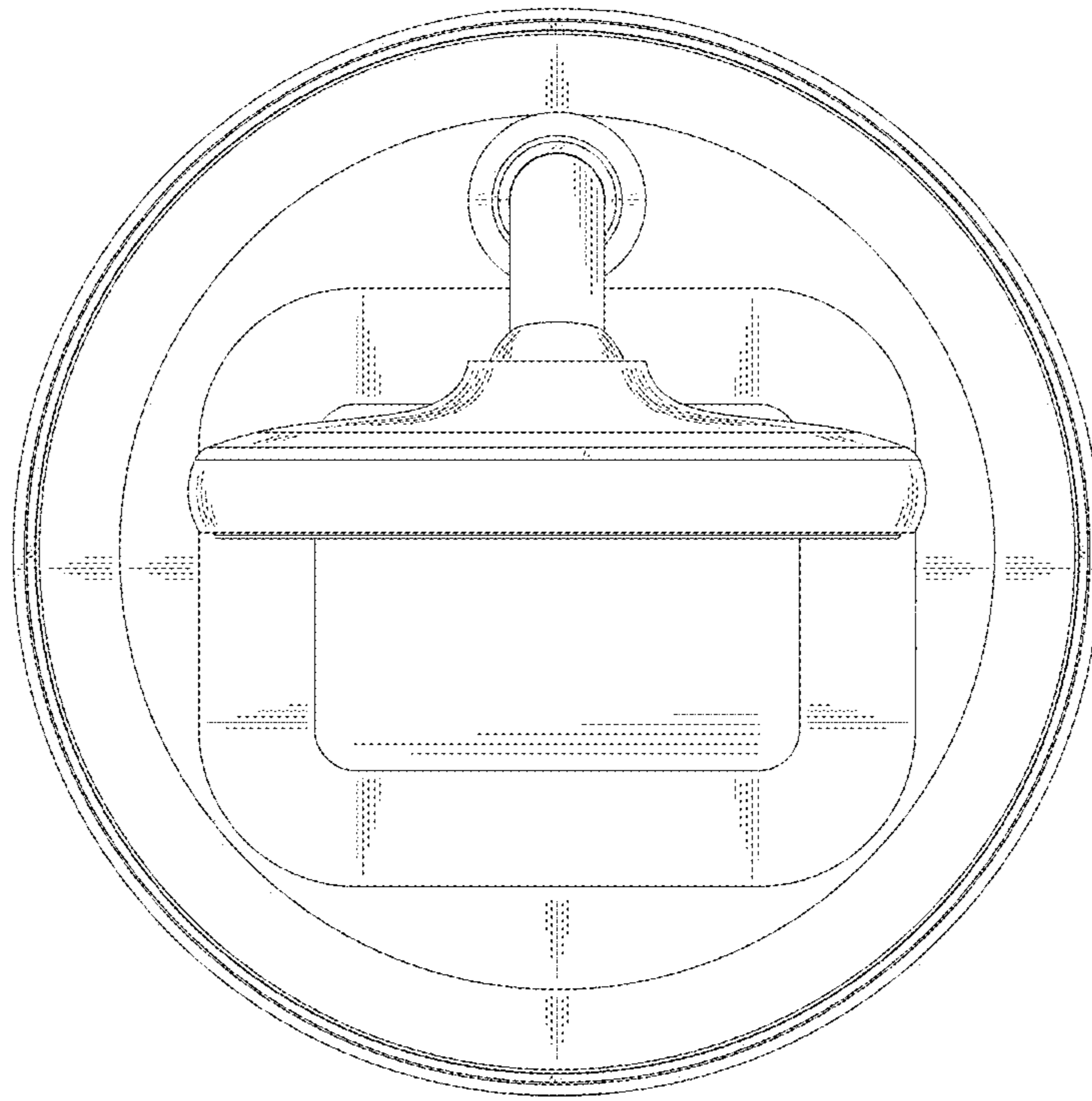


FIG. 7

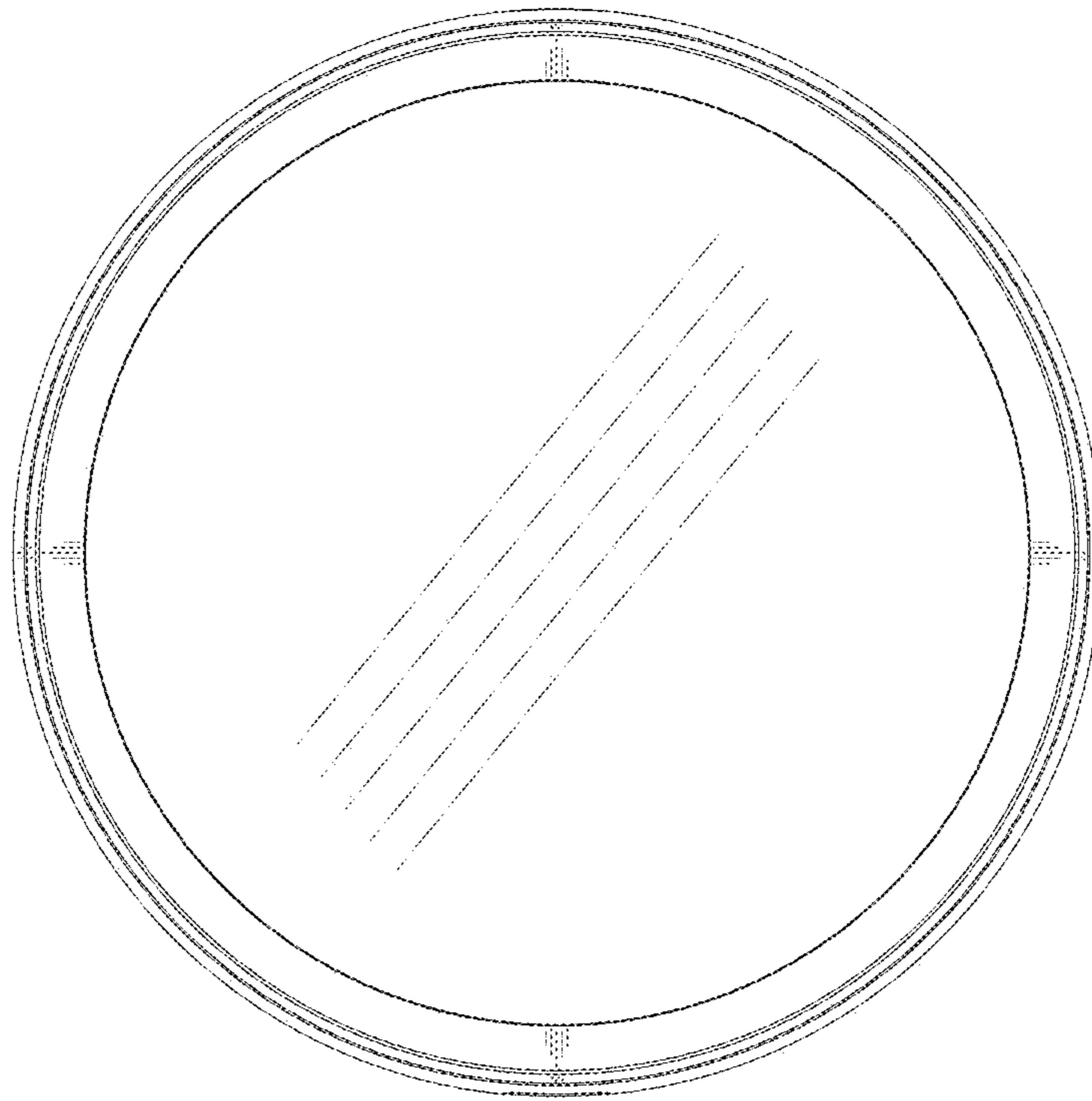


FIG. 8

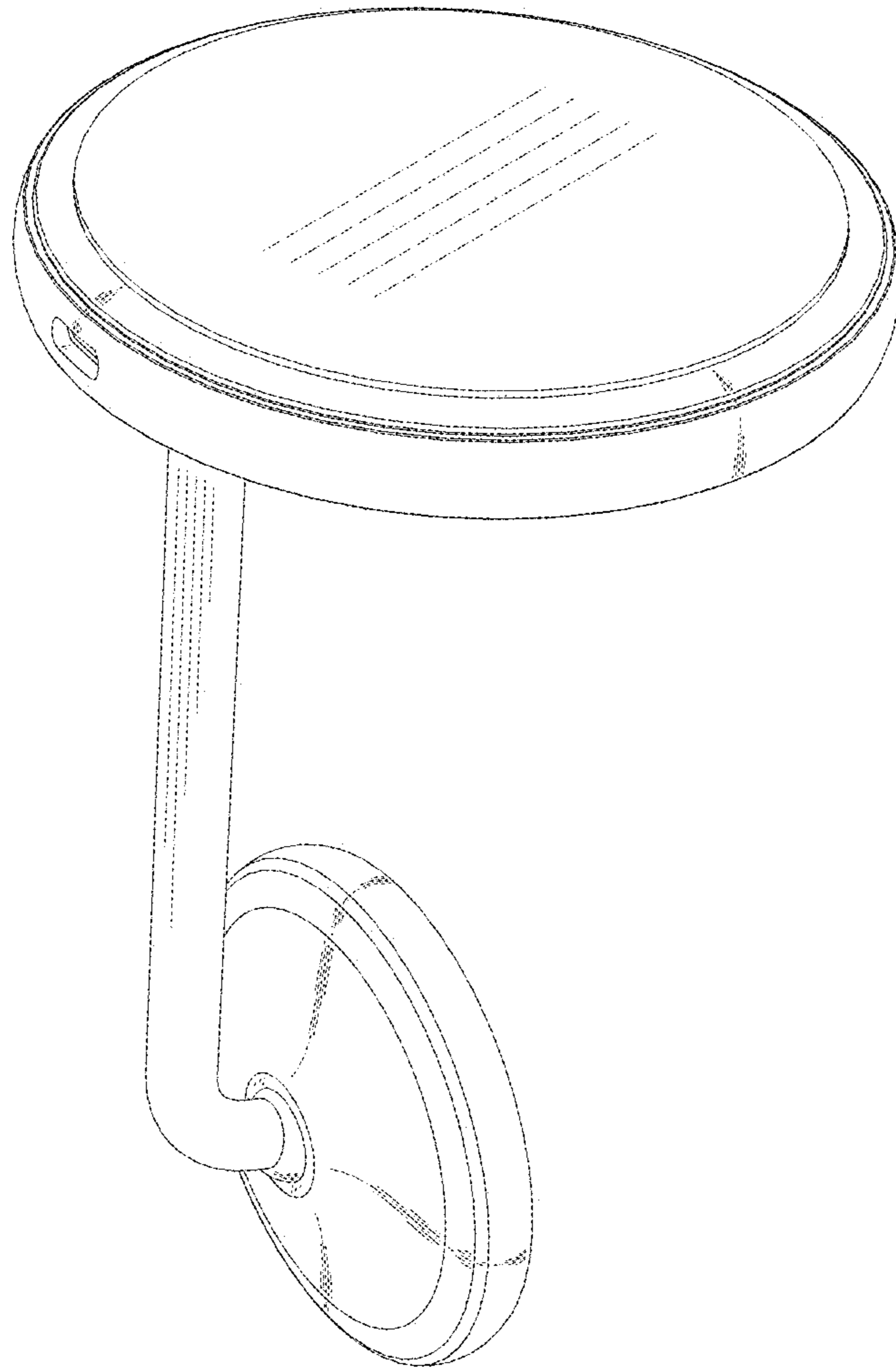


FIG. 9

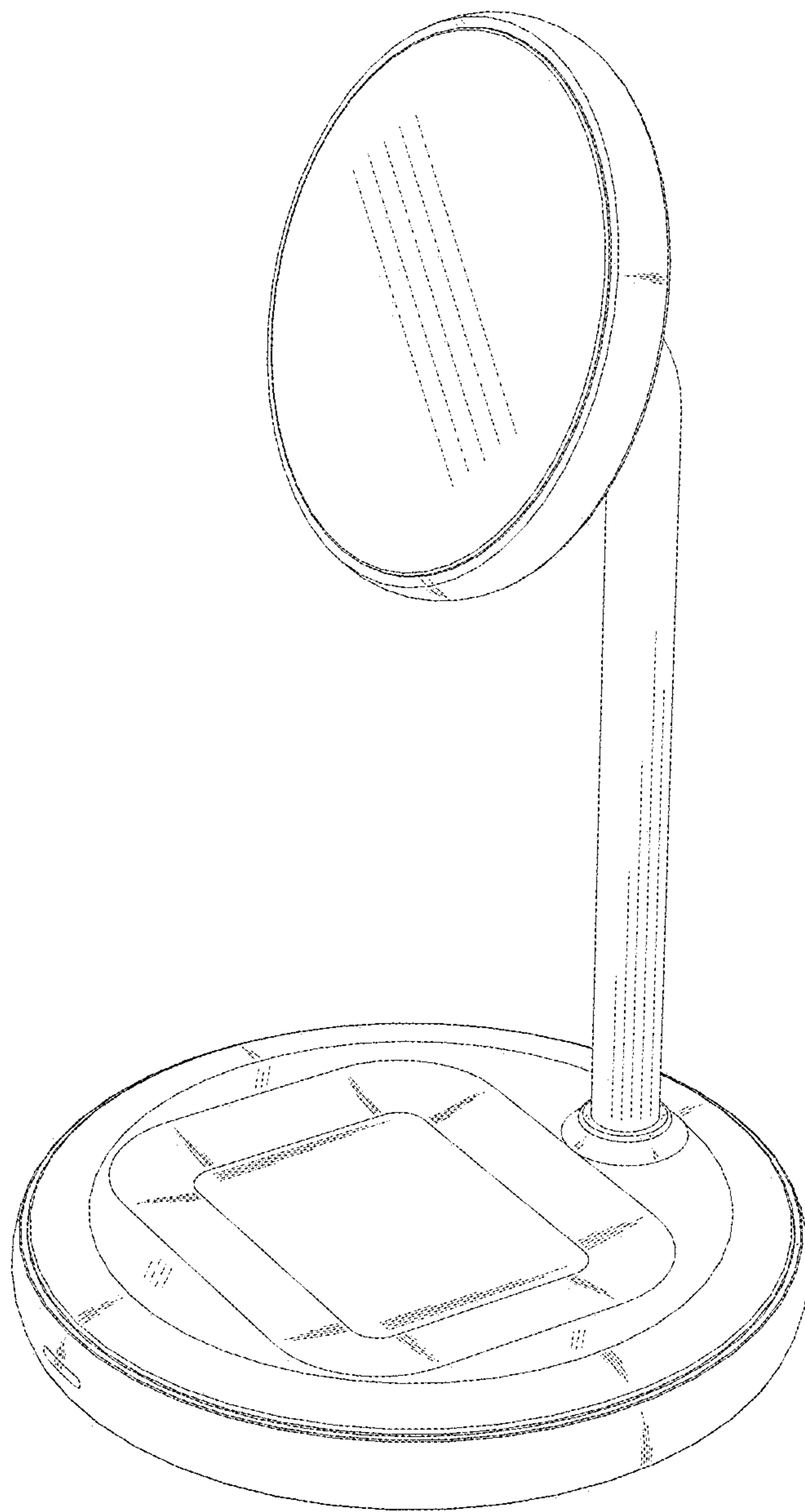


FIG. 10

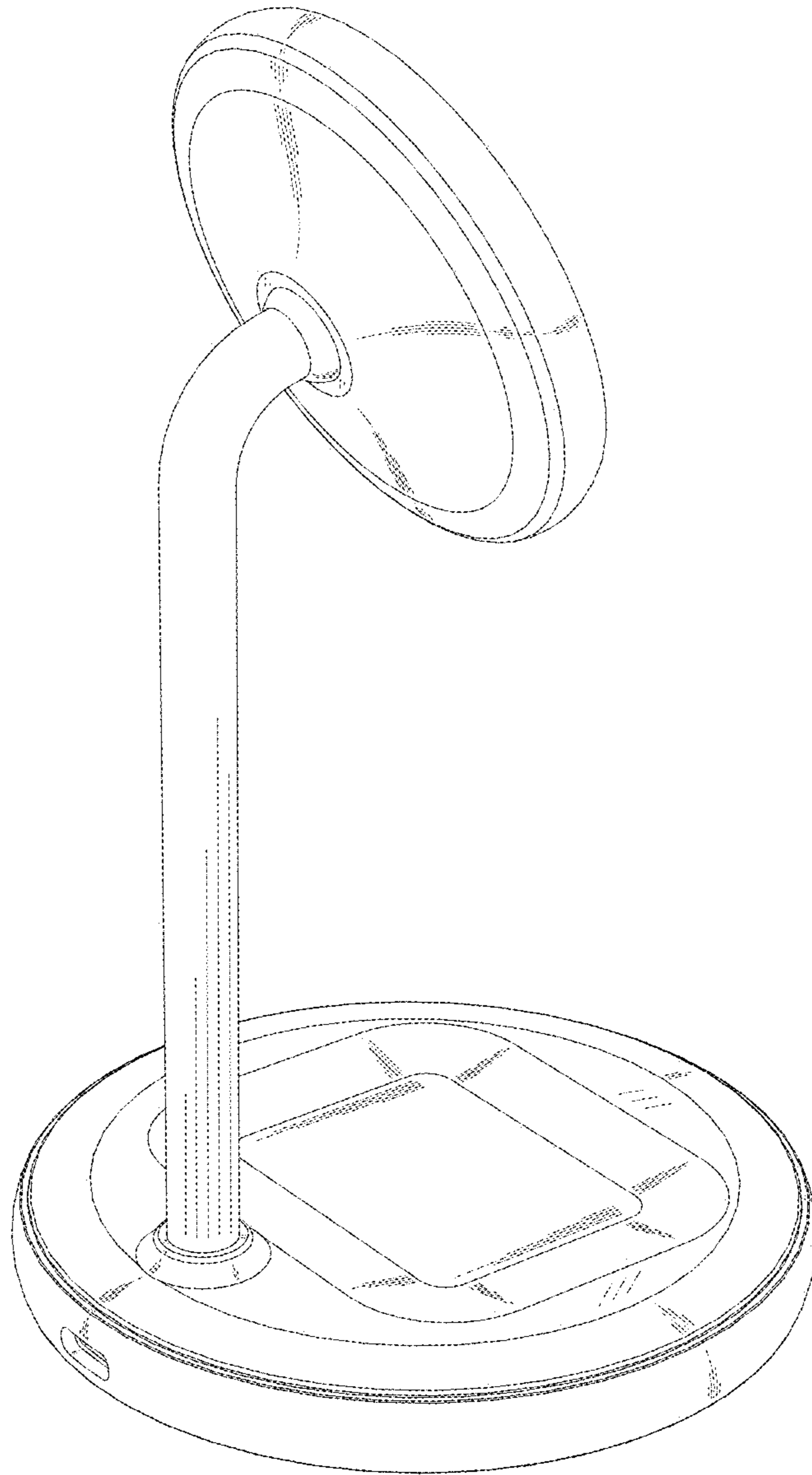


FIG. 11