



US00D964273S

(12) **United States Design Patent**
Uchida et al.

(10) **Patent No.:** **US D964,273 S**

(45) **Date of Patent:** **** Sep. 20, 2022**

(54) **MICROPHONE CHARGER**

(71) Applicant: **Audio-Technica Corporation**, Tokyo (JP)

(72) Inventors: **Junya Uchida**, Tokyo (JP); **Sean Bryson**, Tokyo (JP)

(73) Assignee: **AUDIO-TECHNICA CORPORATION**, Tokyo (JP)

(**) Term: **15 Years**

(21) Appl. No.: **29/754,744**

(22) Filed: **Oct. 14, 2020**

(30) **Foreign Application Priority Data**

Apr. 21, 2020 (JP) 2020-008177

(51) **LOC (13) Cl.** **13-02**

(52) **U.S. Cl.**
USPC **D13/108; D14/229**

(58) **Field of Classification Search**
USPC D13/103, 107, 108, 118, 119; D14/217, D14/225, 227, 229, 432, 433, 434, 439, D14/447

CPC H02J 7/00047; H02J 7/0049; H02J 50/05
See application file for complete search history.

(56) **References Cited**

U.S. PATENT DOCUMENTS

D335,671 S *	5/1993	Yang	D14/227
D341,593 S *	11/1993	Chang	D14/229
D486,787 S *	2/2004	Krieger	D13/108
6,790,076 B1 *	9/2004	Patterson	H01R 11/282 429/100
D532,365 S *	11/2006	Shen	D13/107
D587,250 S *	2/2009	Cai	D14/227
D653,206 S *	1/2012	Heine	D13/108
D820,782 S *	6/2018	Wang	D13/107

D900,732 S *	11/2020	Sexton	D13/107
D931,803 S *	9/2021	Ge	D13/107
D946,505 S *	3/2022	Birkholz	D13/107
2008/0067975 A1 *	3/2008	Law	H02J 7/00047 320/110
2009/0072784 A1 *	3/2009	Erickson	H02J 50/80 320/108

OTHER PUBLICATIONS

“Audio-Technica Wireless Microphone”. Found online May 3, 2022 at amazon.co.jp. Reference dated Mar. 1, 2019. Retrieved from <https://www.amazon.co.jp/-/en/AUDIO-TECHNICA-ATW-CHG3N-Wireless-Microphone-Charger/dp/B07P9F38VD>. (Year: 2019).*

(Continued)

Primary Examiner — Kendra Leslie Hamilton

Assistant Examiner — Amanda Christensen

(74) *Attorney, Agent, or Firm* — WCF IP

(57) **CLAIM**

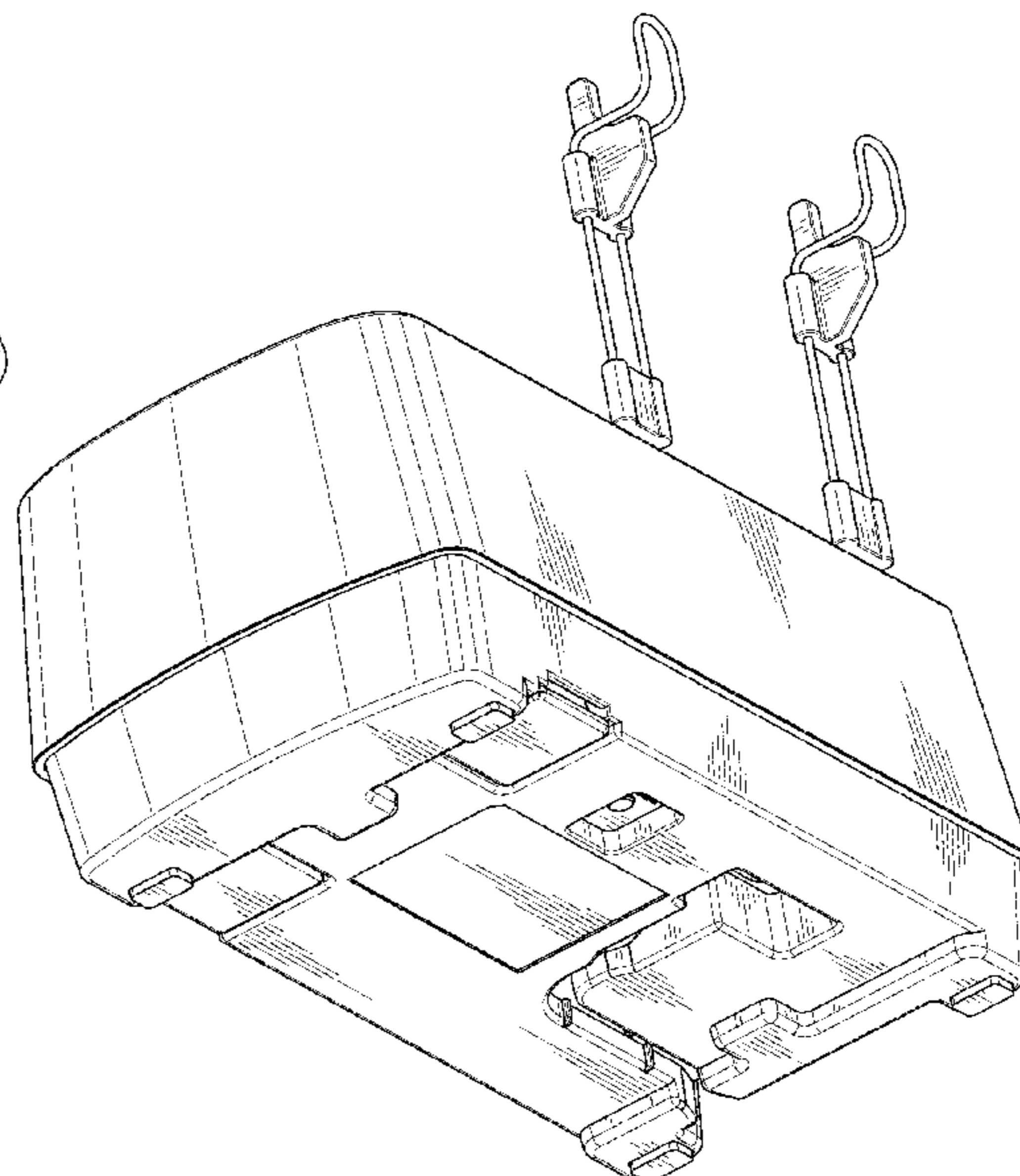
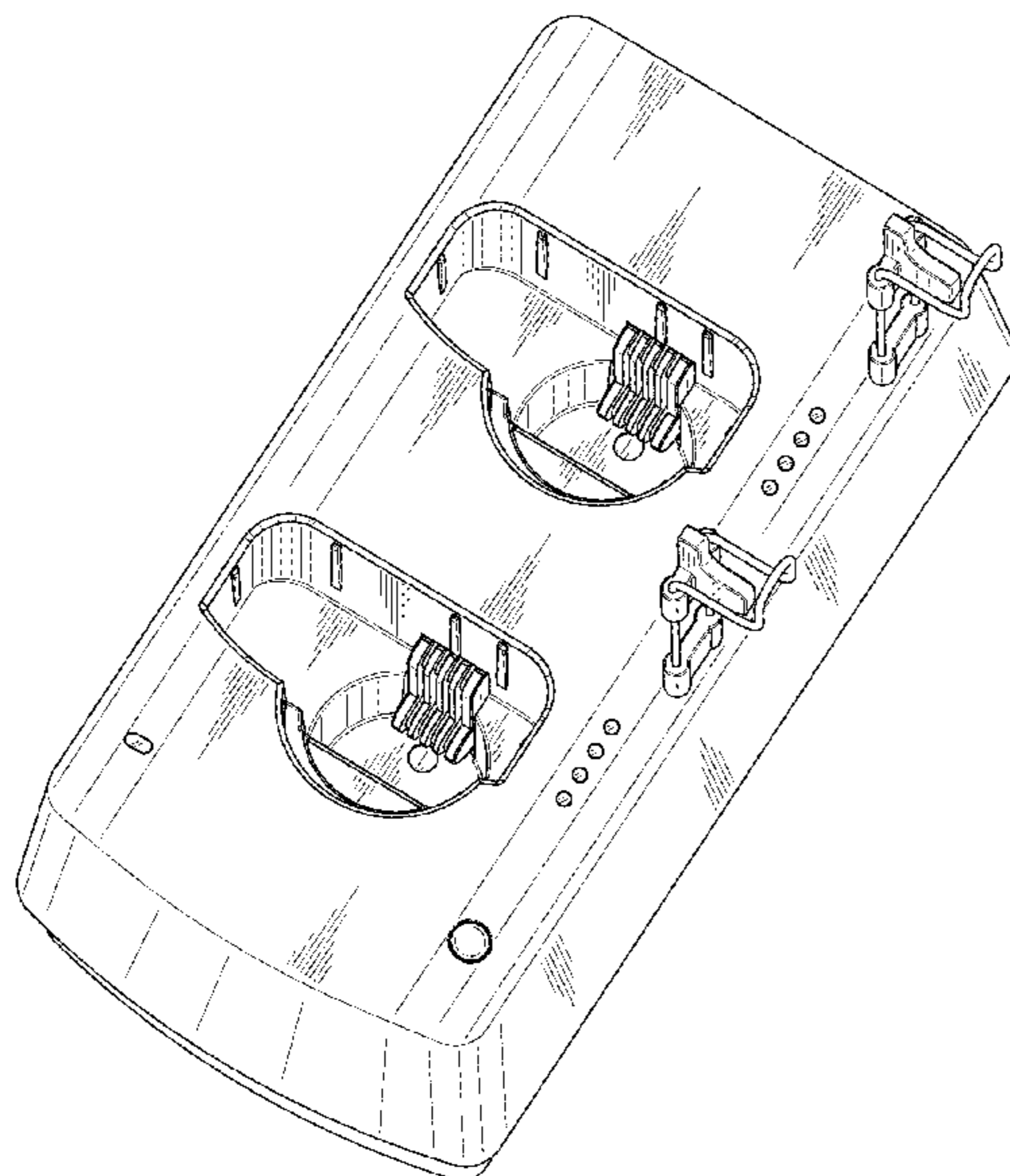
The ornamental design for a microphone charger, as shown and described.

DESCRIPTION

FIG. 1 is a front, bottom, right side perspective view of a microphone charger, showing our new design; FIG. 2 is a rear, bottom, right side perspective view thereof; FIG. 3 is a rear perspective view thereof; FIG. 4 is a front view thereof; FIG. 5 is a rear view thereof; FIG. 6 is a top plan view thereof; FIG. 7 is a bottom plan view thereof; FIG. 8 is a left side view thereof; and, FIG. 9 is a right side view thereof.

The broken lines shown in the drawings depict portions of the microphone charger that form no part of the claimed design.

1 Claim, 9 Drawing Sheets



(56)

References Cited

OTHER PUBLICATIONS

“Shure Microflex Wireless System”. Found online May 3, 2022 at youtube.com. Reference dated Oct. 23, 2019. Retrieved from <https://www.youtube.com/watch?v=Kci59sQ1-Zo>. (Year: 2019).*

“Revolabs Charger Base”. Found online Dec. 30, 2020 at bhphotovideo.com. Reference dated Aug. 15, 2016. Retrieved from https://www.bhphotovideo.com/c/product/894848-REG/revolabs_02hddualchg11_charger_base_for_hd.html/qa. (Year: 2016).*

* cited by examiner

FIG. 1

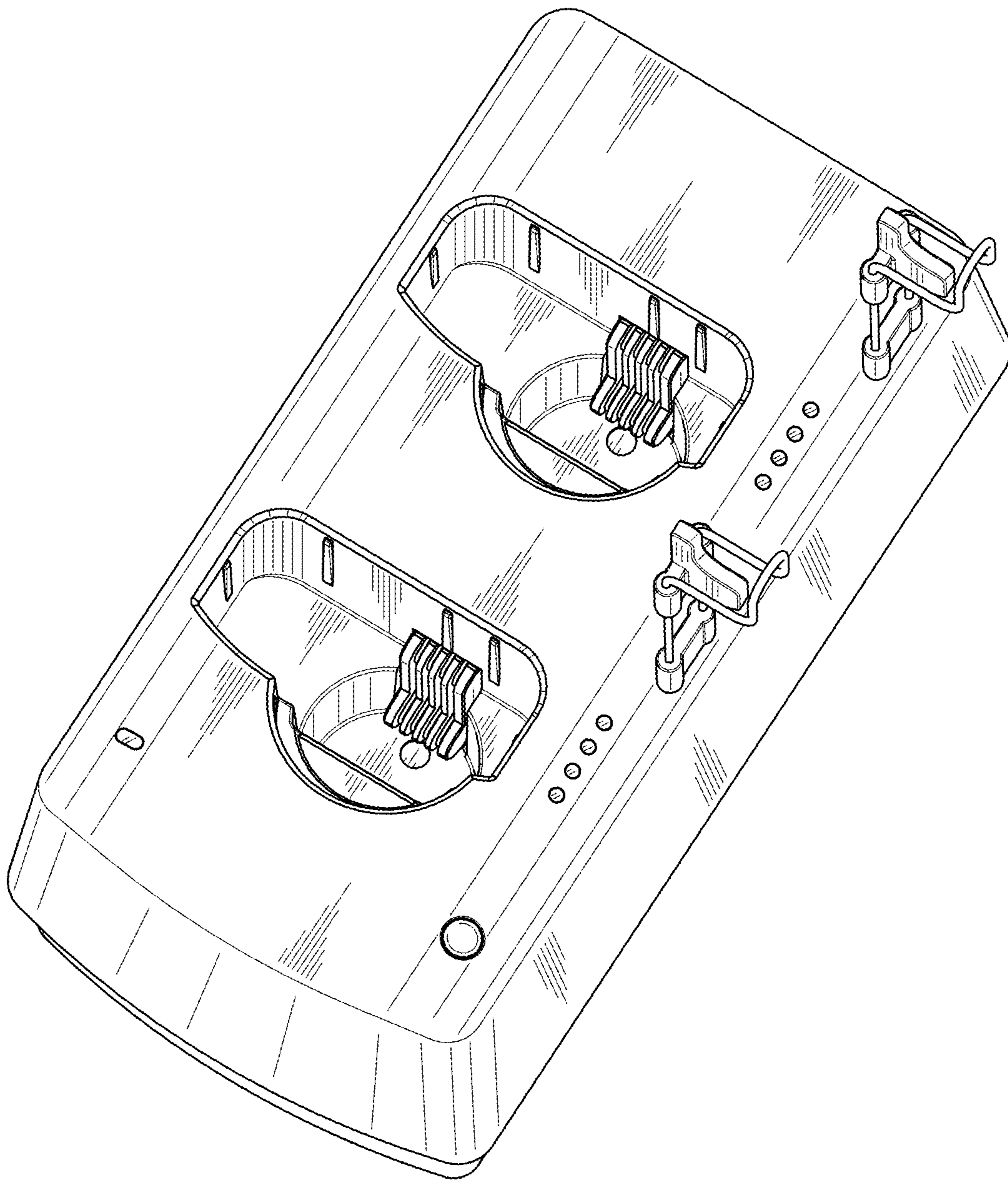


FIG. 2

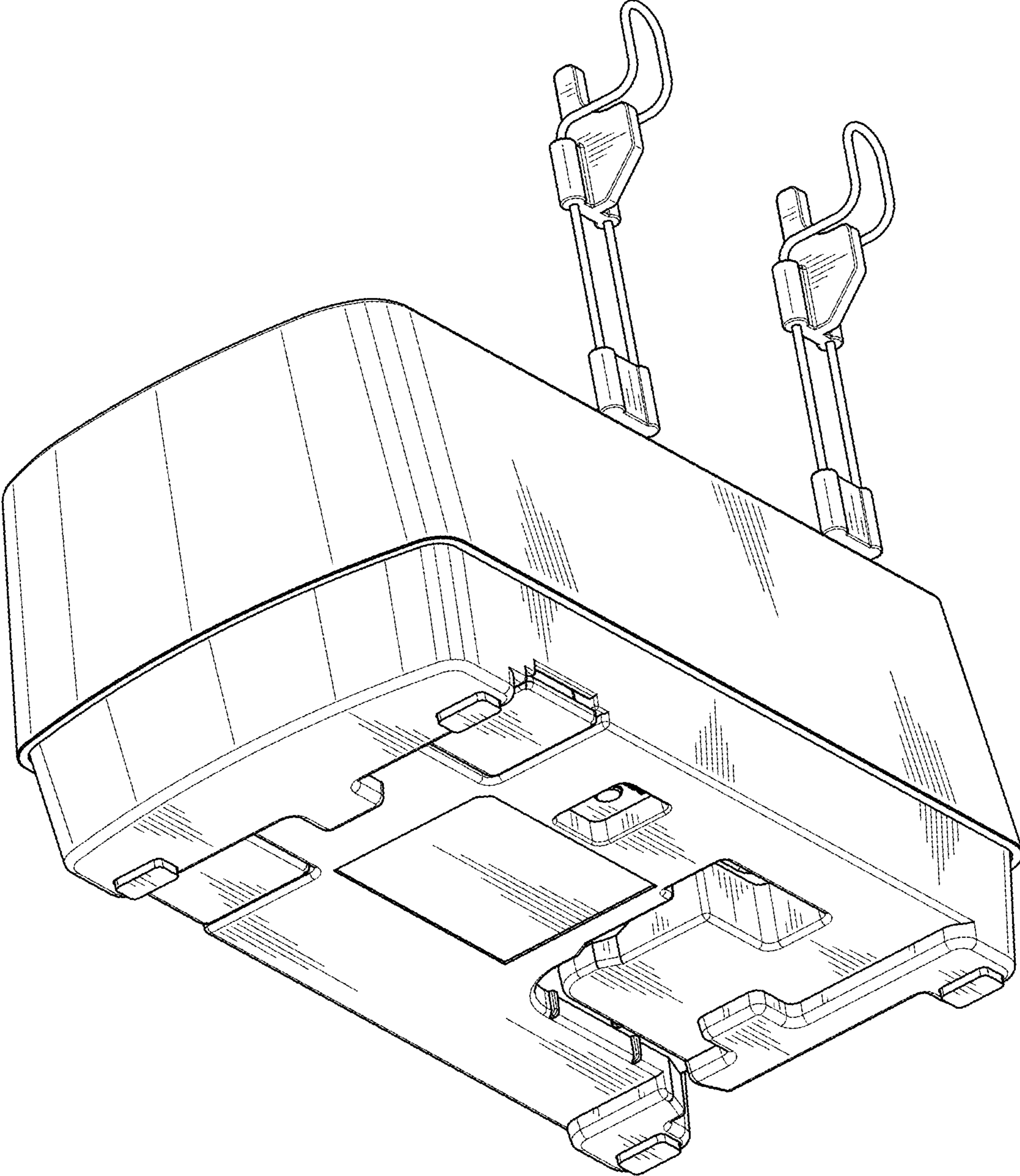


FIG. 3

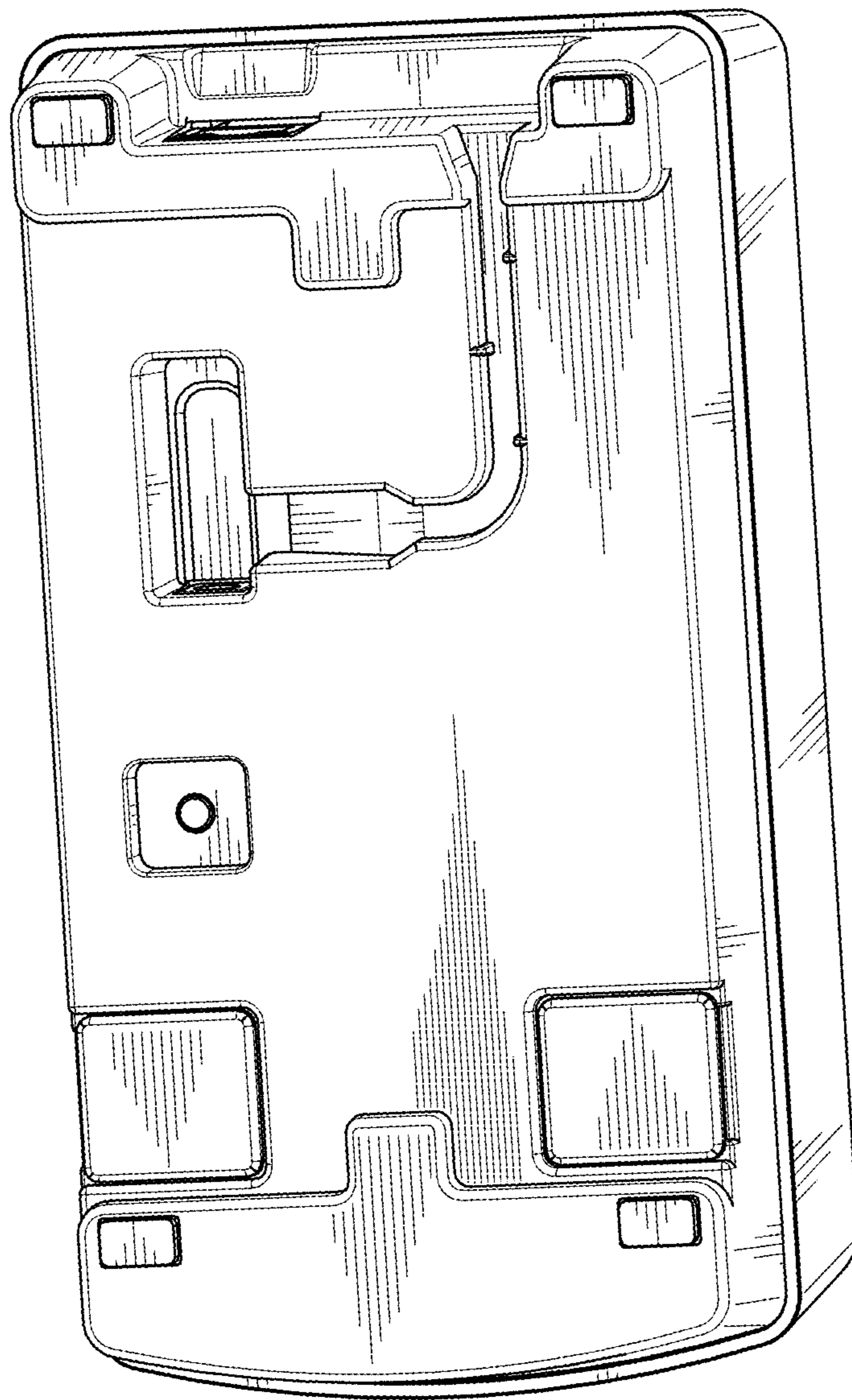


FIG. 4

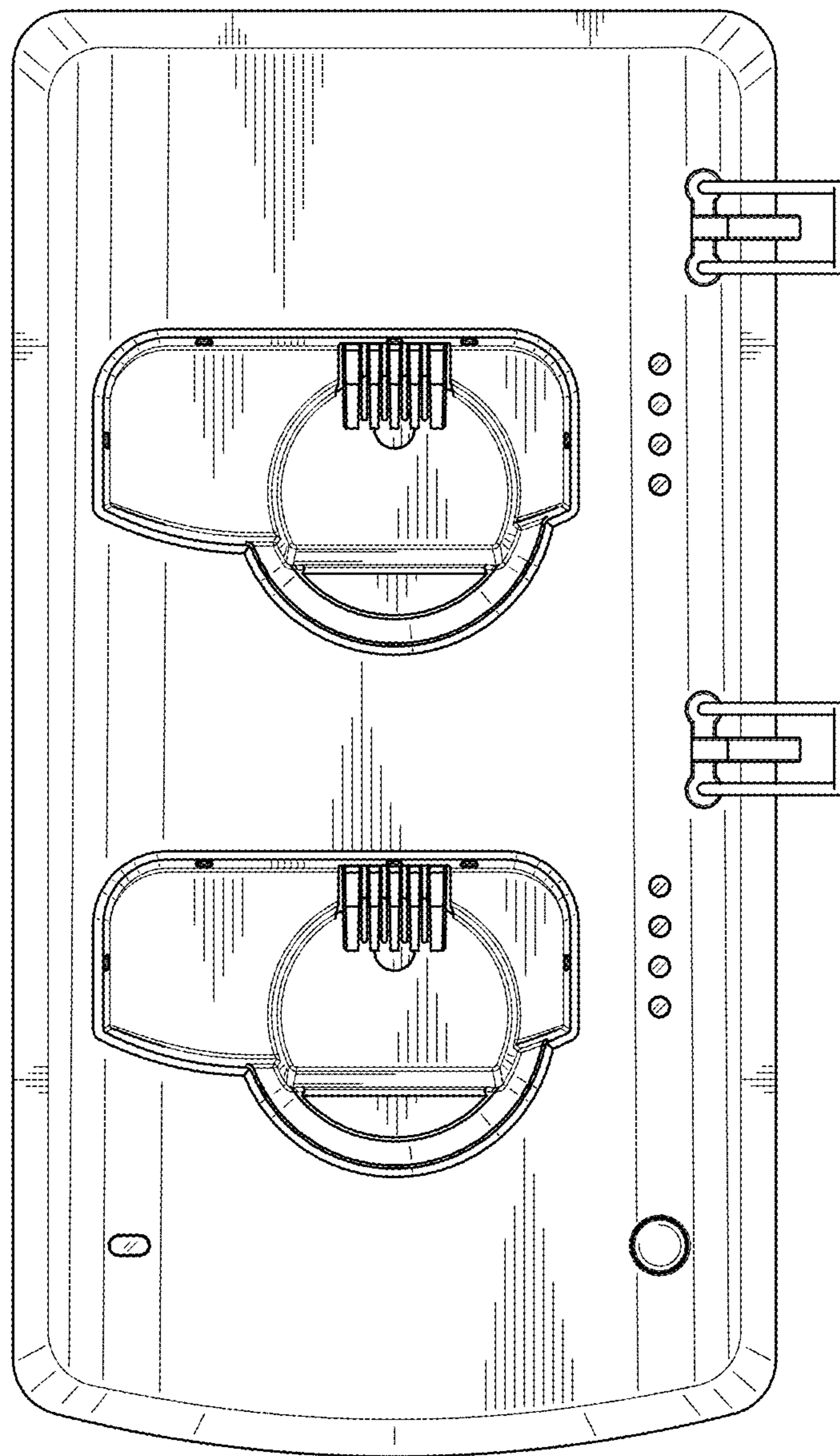


FIG. 5

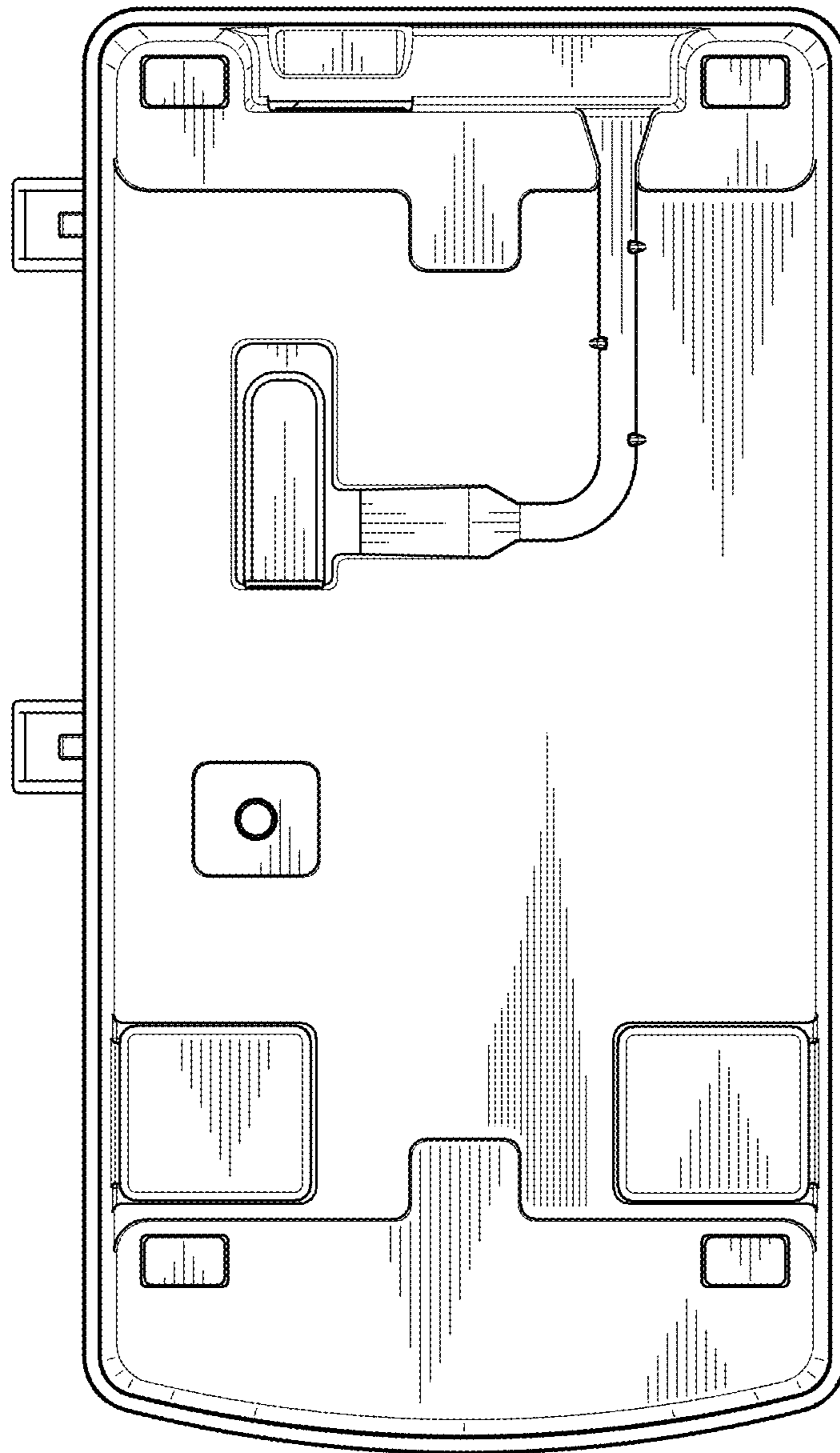


FIG. 6

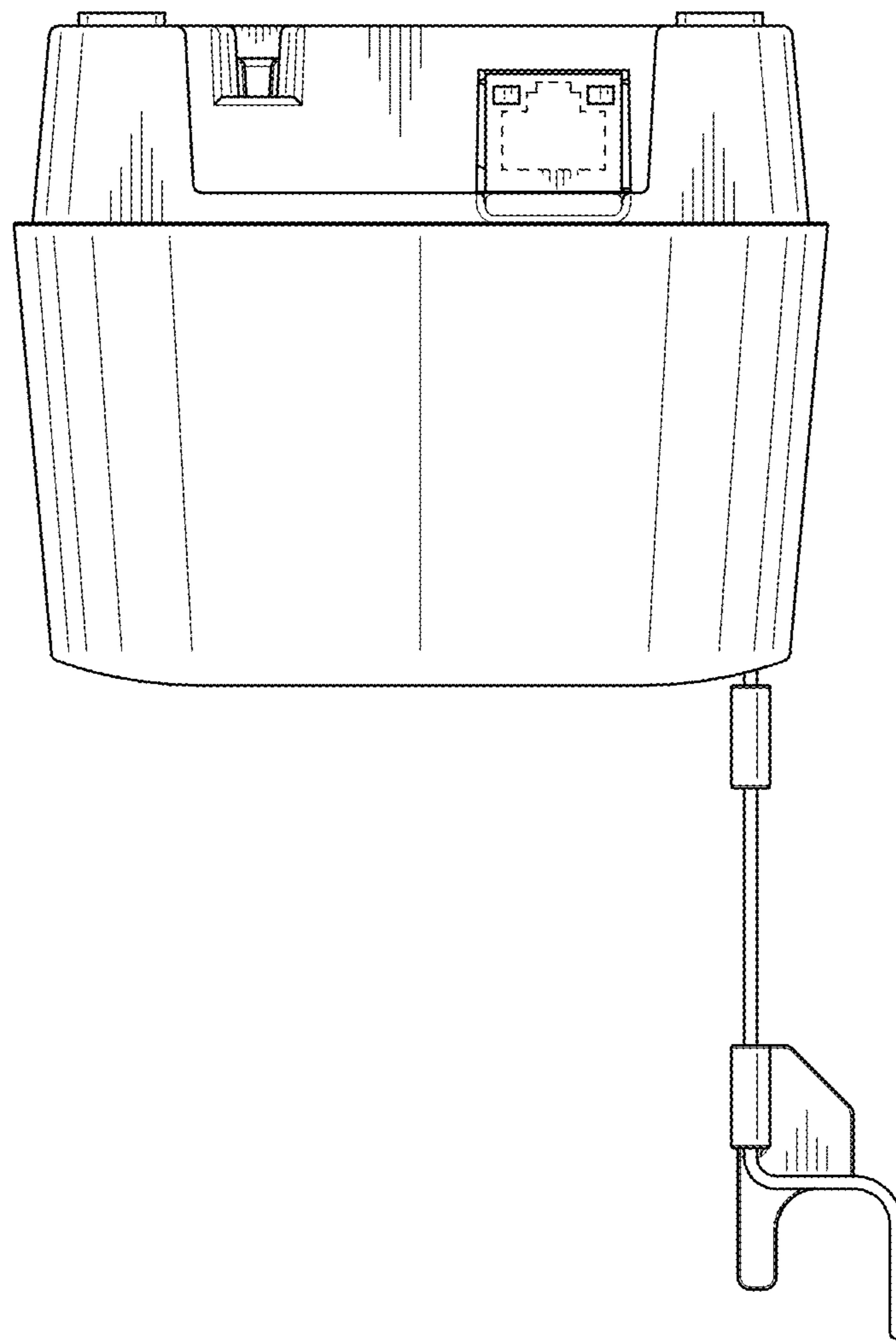


FIG. 7

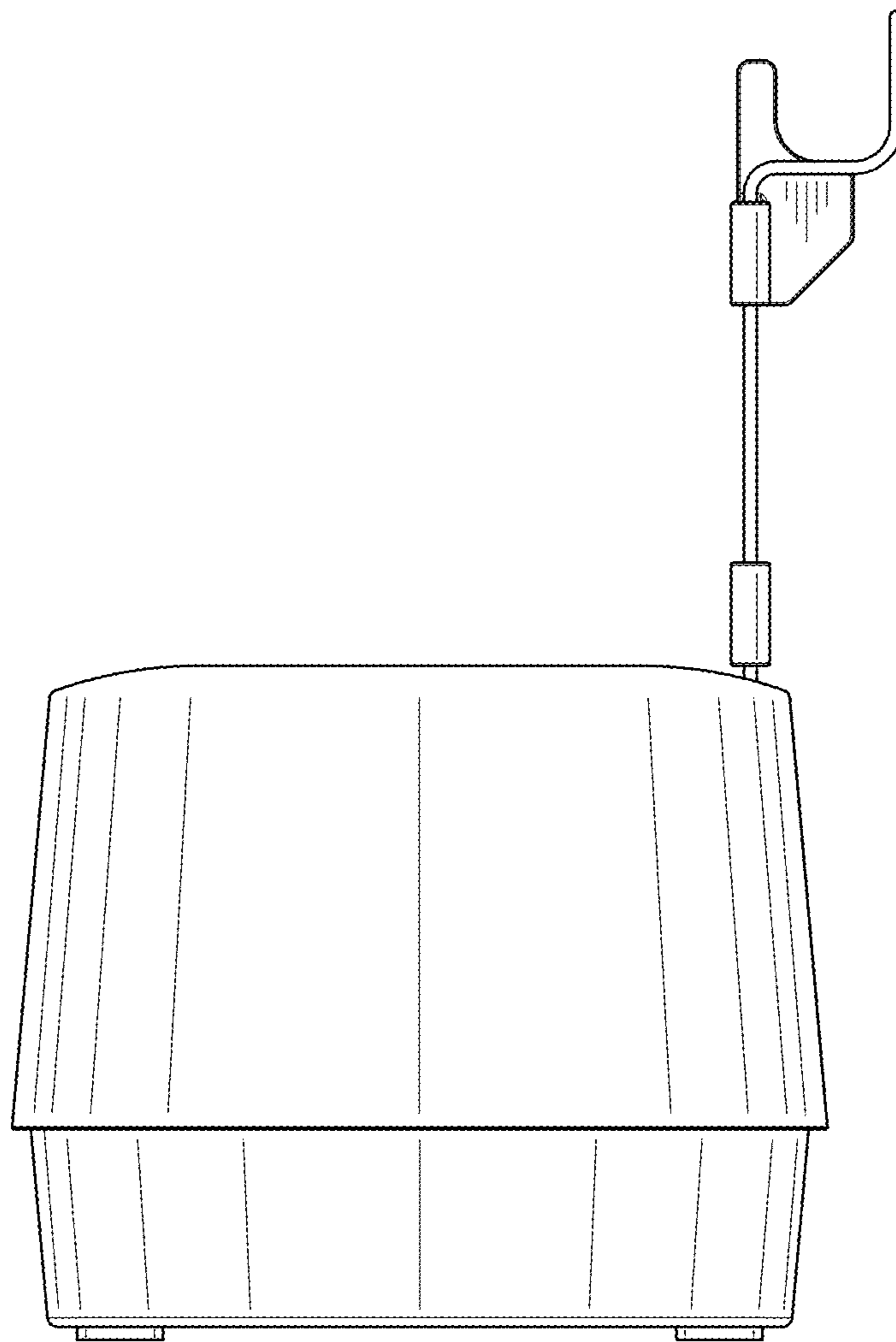


FIG. 8

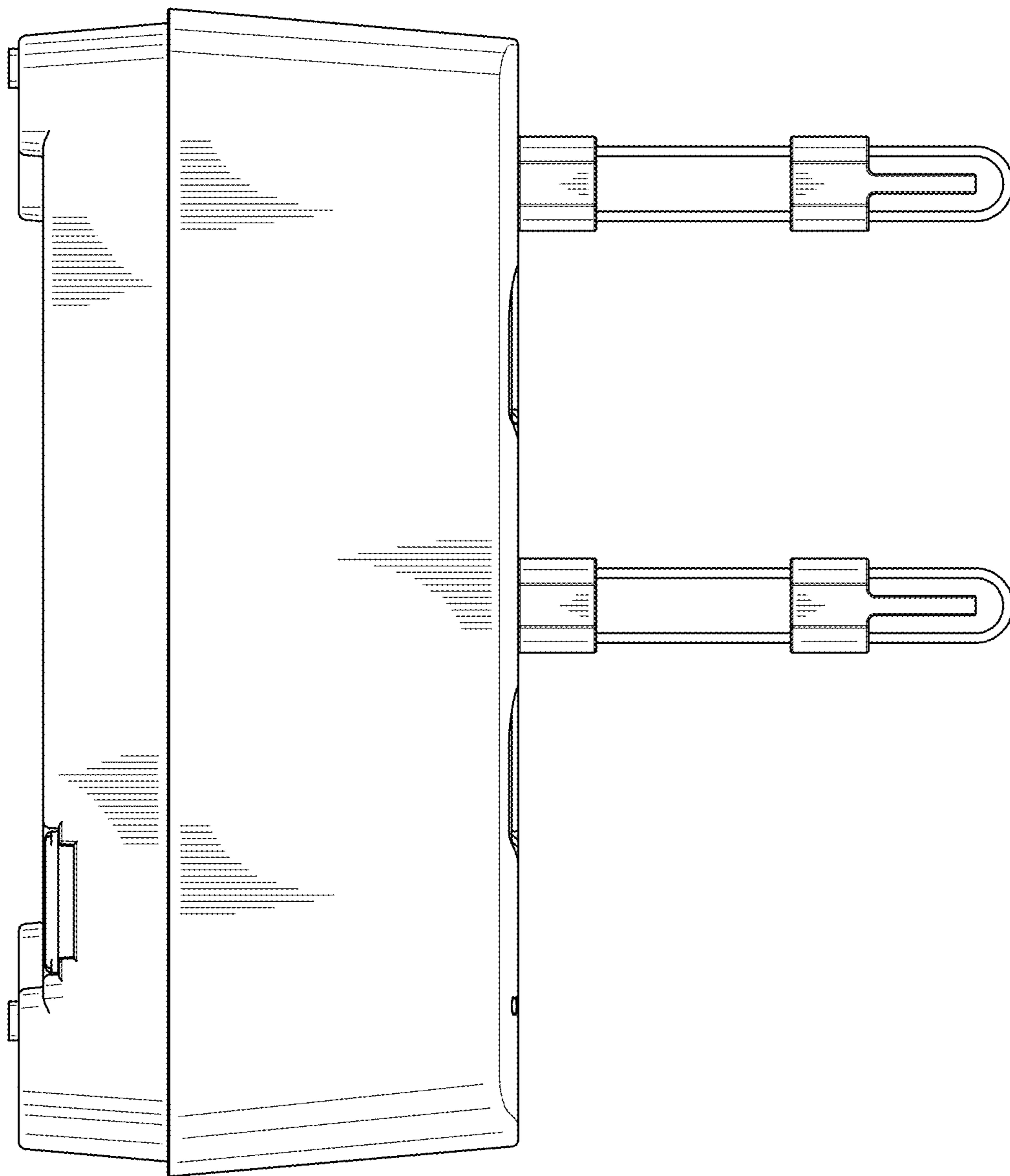


FIG. 9

