

US00D964271S

(12) **United States Design Patent**
Feng et al.

(10) **Patent No.:** **US D964,271 S**
(45) **Date of Patent:** **** Sep. 20, 2022**

(54) **CHARGING CASE**

(71) Applicant: **LUXSHARE PRECISION**
INDUSTRY CO., LTD., Shenzhen
(CN)

(72) Inventors: **Yun Feng**, Dongguan (CN); **ZhenHua**
Liu, Dongguan (CN); **Yong Huang**,
Dongguan (CN)

(73) Assignee: **LUXSHARE PRECISION**
INDUSTRY CO., LTD., Shenzhen
(CN)

(**) Term: **15 Years**

(21) Appl. No.: **29/744,695**

(22) Filed: **Jul. 30, 2020**

(30) **Foreign Application Priority Data**

Mar. 4, 2020 (CN) 202030069788.8

(51) **LOC (13) Cl.** **13-02**

(52) **U.S. Cl.**
USPC **D13/108; D3/298**

(58) **Field of Classification Search**

USPC D13/102-110, 118, 119, 184, 199;
D14/251, 253, 432, 434, 250; D3/298
CPC H01M 10/44; H01M 10/46; H01M 10/465;
H01M 10/482; H01M 10/4257; H01M
10/0436; H01M 10/48; H01M 2200/30;
H01M 2250/30; H01M 2250/40; Y02T
10/7005; Y02T 10/705; Y02T 10/7088;
Y02E 60/10; Y02E 60/12; Y02E 60/122;
Y02E 60/124; Y02E 60/50; H02J 7/00;
H02J 7/0003; H02J 7/0011; H02J 7/0013;
H02J 7/0054; H02J 7/0055; H02J 7/0057;
(Continued)

(56) **References Cited**

U.S. PATENT DOCUMENTS

D705,160 S * 5/2014 Ormesher D13/108
D727,259 S * 4/2015 Hwang D13/108
(Continued)

FOREIGN PATENT DOCUMENTS

CN 304954743 S 12/2018
CN 305274871 S 7/2019
JP 1648567 S 12/2019

OTHER PUBLICATIONS

Japanese Decision of Registration for Japanese Application No.
2020-017320, dated Jan. 26, 2021, with English translation.

Primary Examiner — Christy Nemeth

(74) *Attorney, Agent, or Firm* — Birch, Stewart, Kolasch
& Birch, LLP

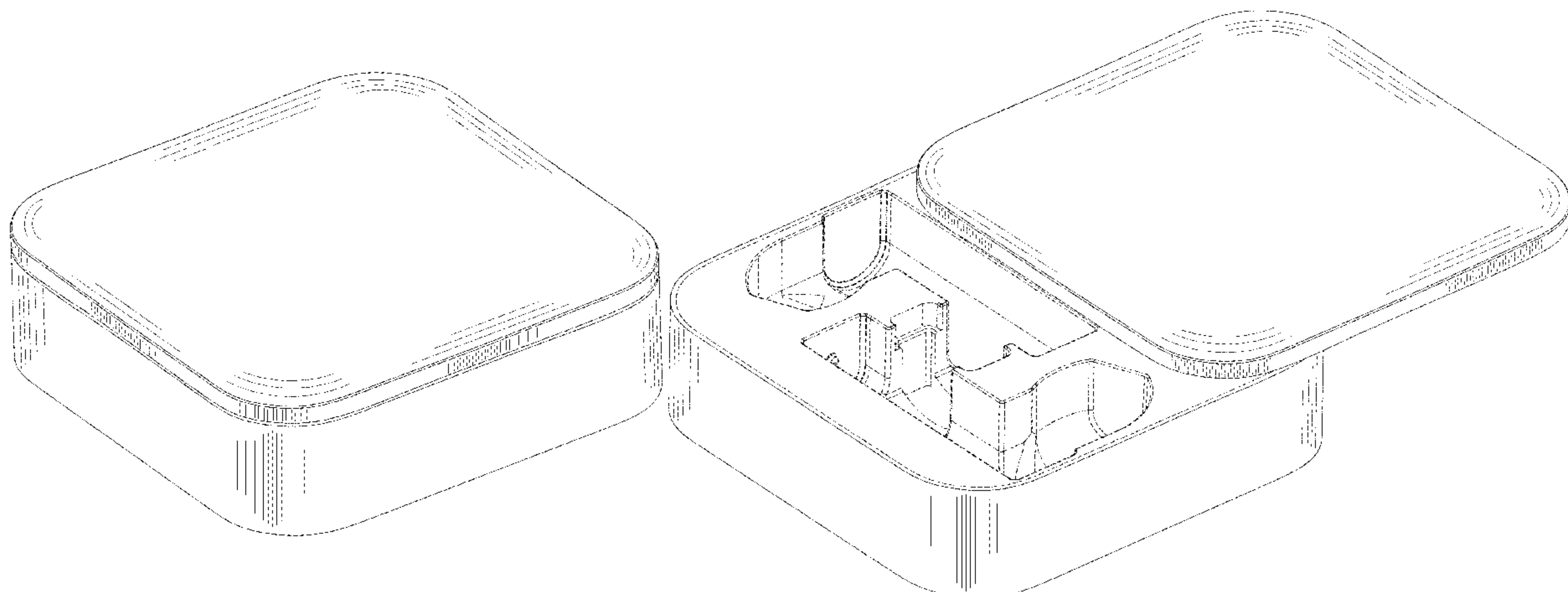
(57) **CLAIM**

The ornamental design for a charging case, as shown and
described.

DESCRIPTION

FIG. 1 is a perspective view of a charging case showing my
new design;
FIG. 2 is a front view thereof;
FIG. 3 is a rear view thereof;
FIG. 4 is a left side view thereof;
FIG. 5 is a right side view thereof;
FIG. 6 is a top view for a charging case thereof,
FIG. 7 is a bottom view thereof;
FIG. 8 is a perspective view of the charging case of FIG. 1,
shown in an open state;
FIG. 9 is a front view thereof;
FIG. 10 is a rear view thereof;
FIG. 11 is a left side view thereof;
FIG. 12 is a right side view thereof,
FIG. 13 is a top view thereof; and,
FIG. 14 is a bottom view thereof.
The broken lines in the drawings illustrate portions of the
charging case that form no part of the claimed design.

1 Claim, 14 Drawing Sheets



(58) **Field of Classification Search**

CPC ... H02J 7/0034; H02J 7/1423; H02J 2001/006
See application file for complete search history.

(56) **References Cited**

U.S. PATENT DOCUMENTS

D738,301 S	*	9/2015	Symons	D13/107
D739,657 S		9/2015	Hsieh et al.	
D884,615 S	*	5/2020	Ito	D13/108
D911,946 S	*	3/2021	Turksu	D13/108
D912,621 S	*	3/2021	Qiu	D13/108
D922,317 S	*	6/2021	Starkey	D13/108
D922,947 S	*	6/2021	Wang	D13/108
D927,421 S	*	8/2021	Xiao	D13/110
D934,169 S	*	10/2021	Huang	D13/108
D935,398 S	*	11/2021	Wang	D13/108

* cited by examiner

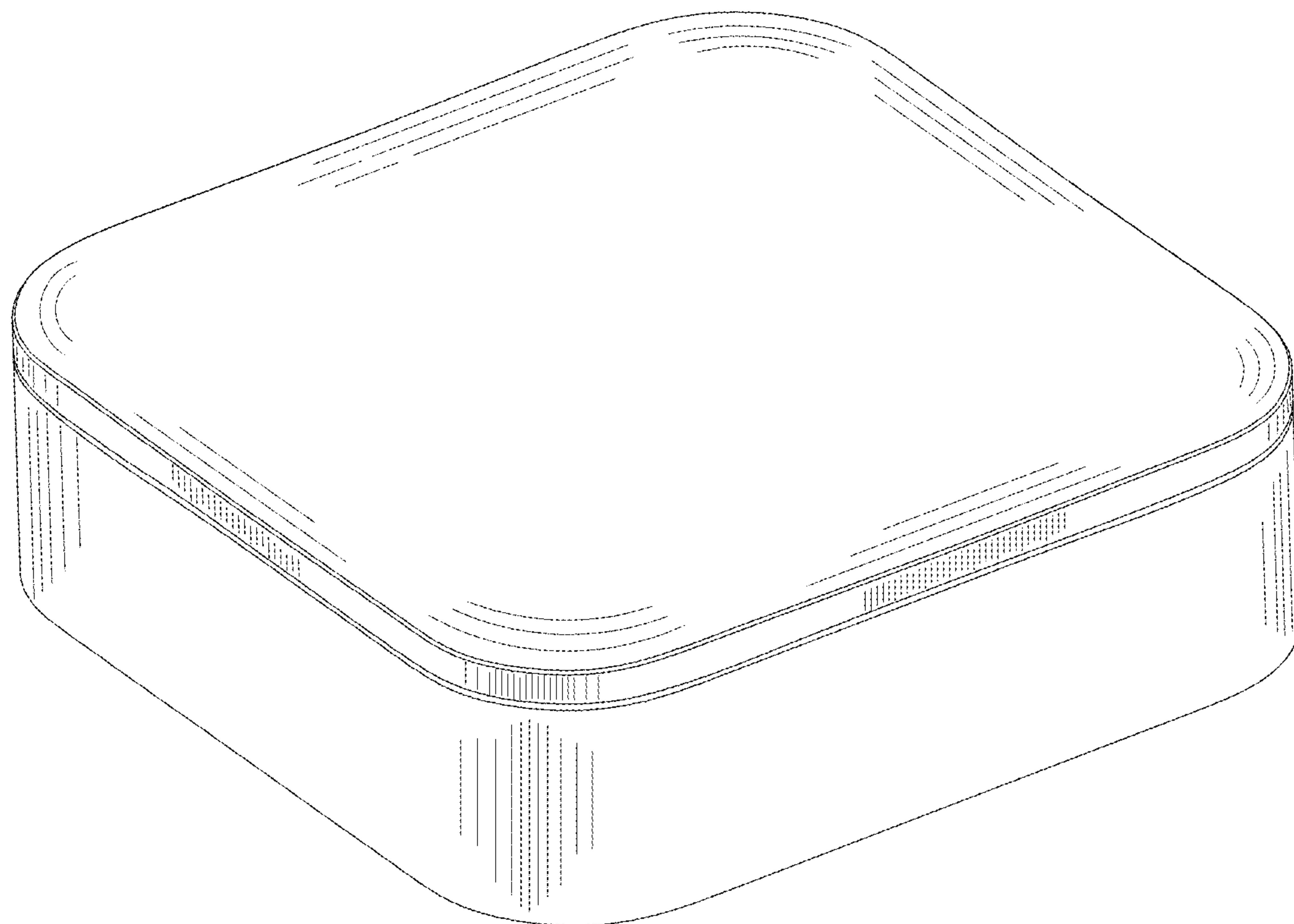


FIG. 1

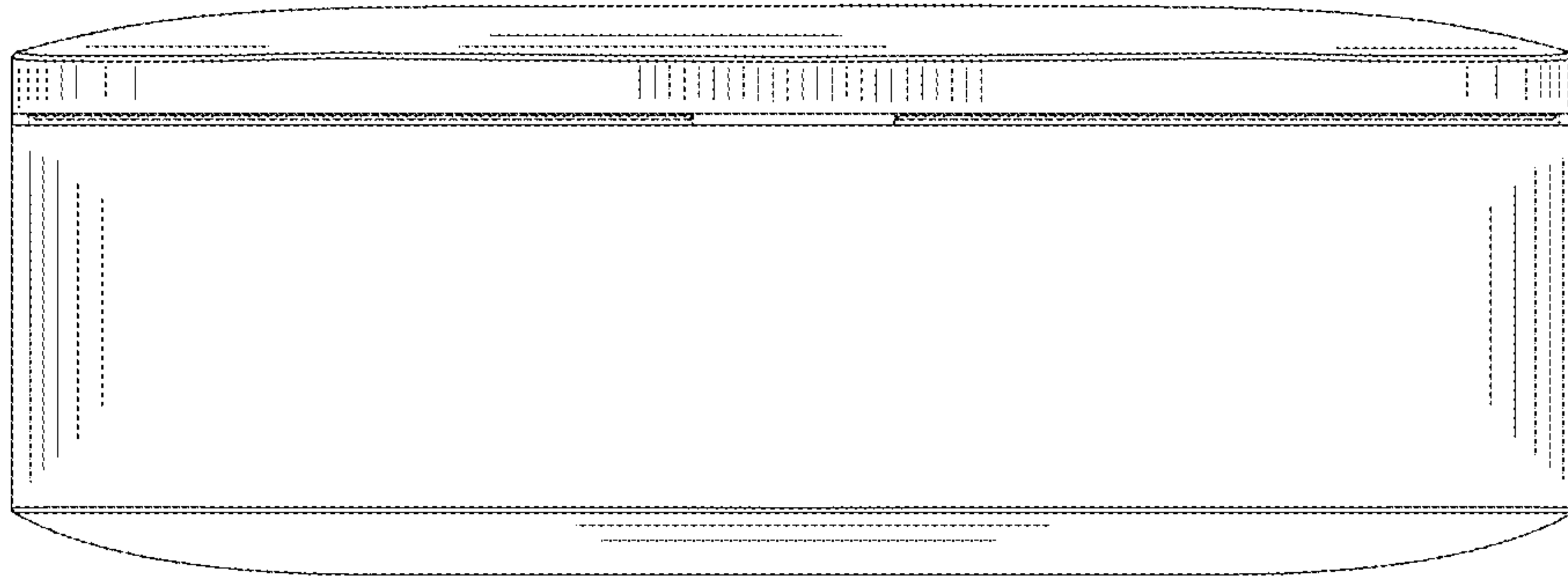


FIG. 2

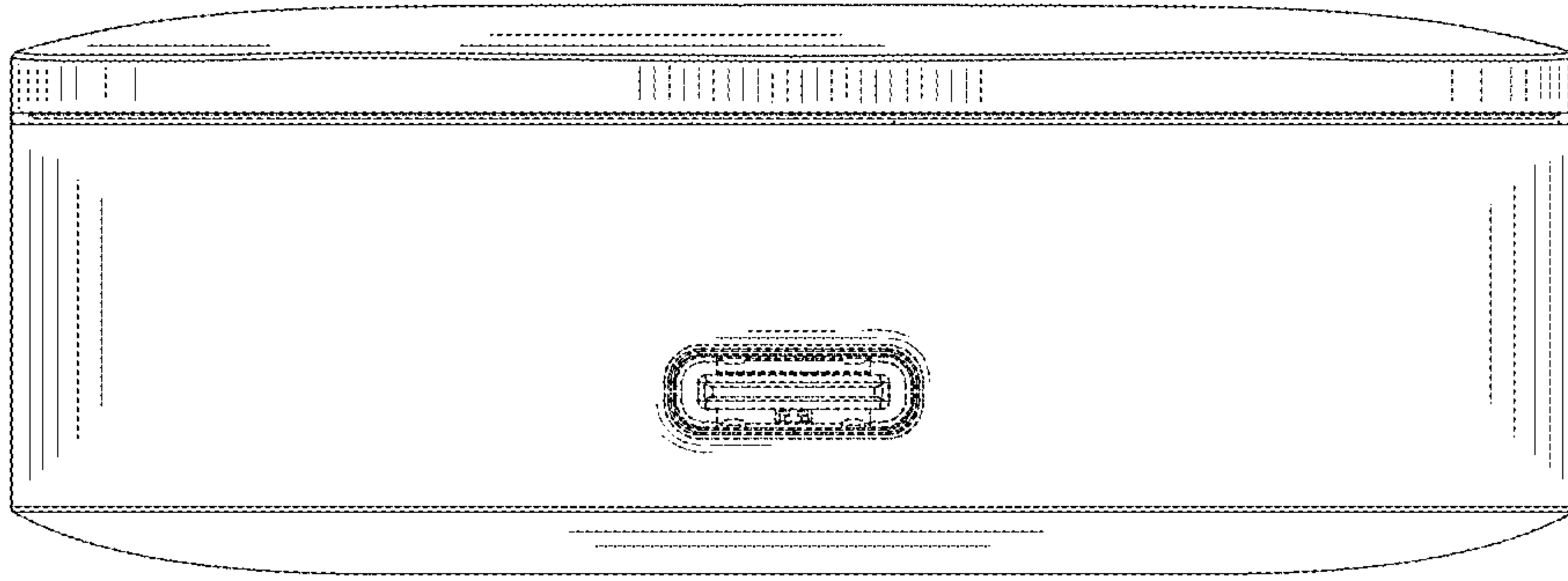


FIG. 3

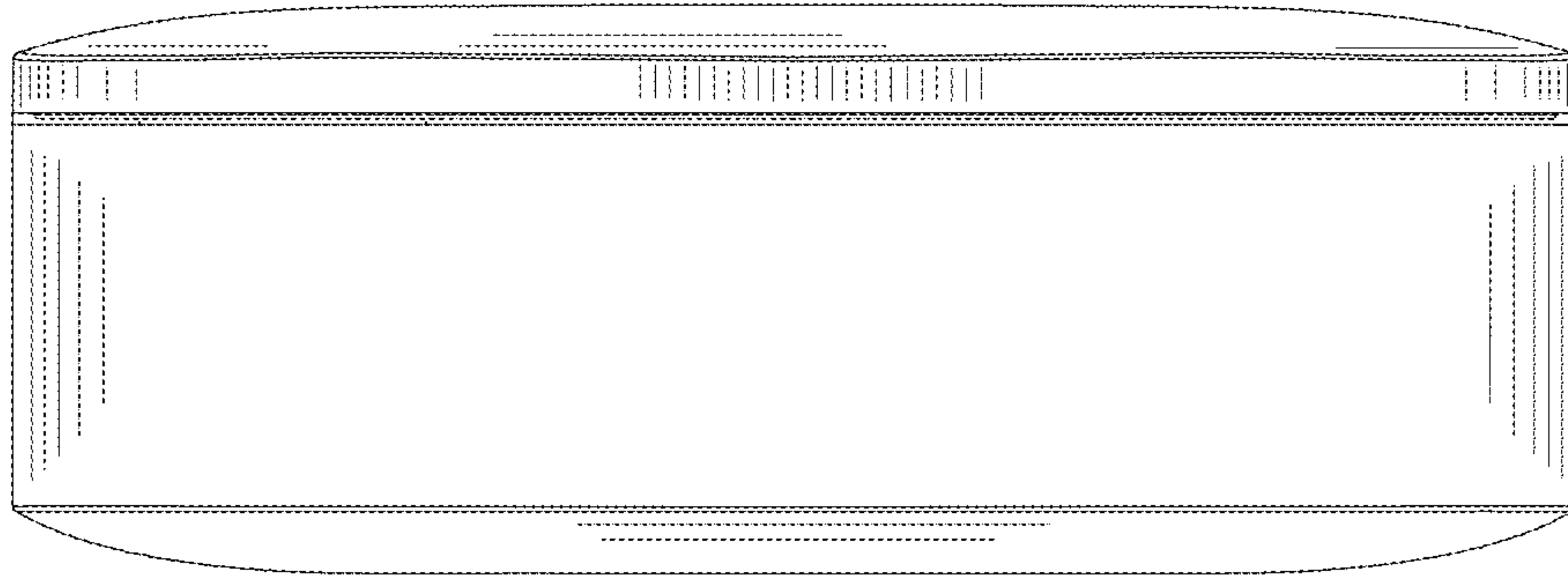


FIG. 4

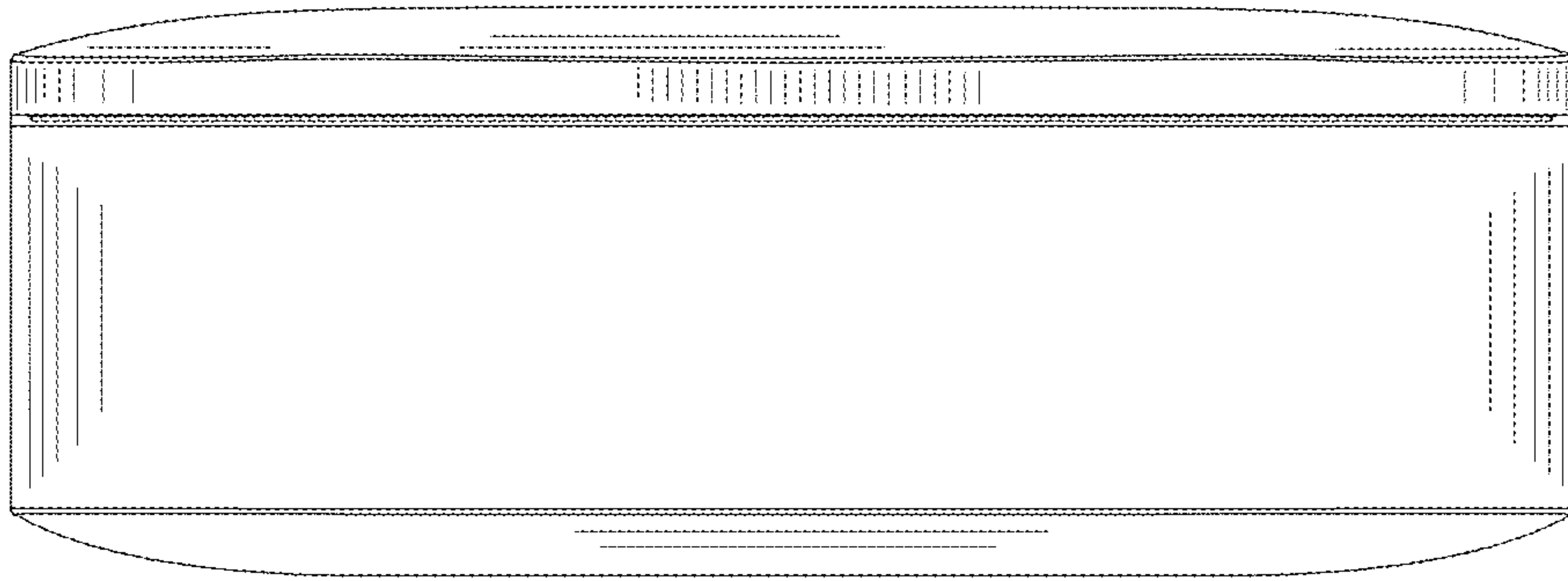


FIG. 5

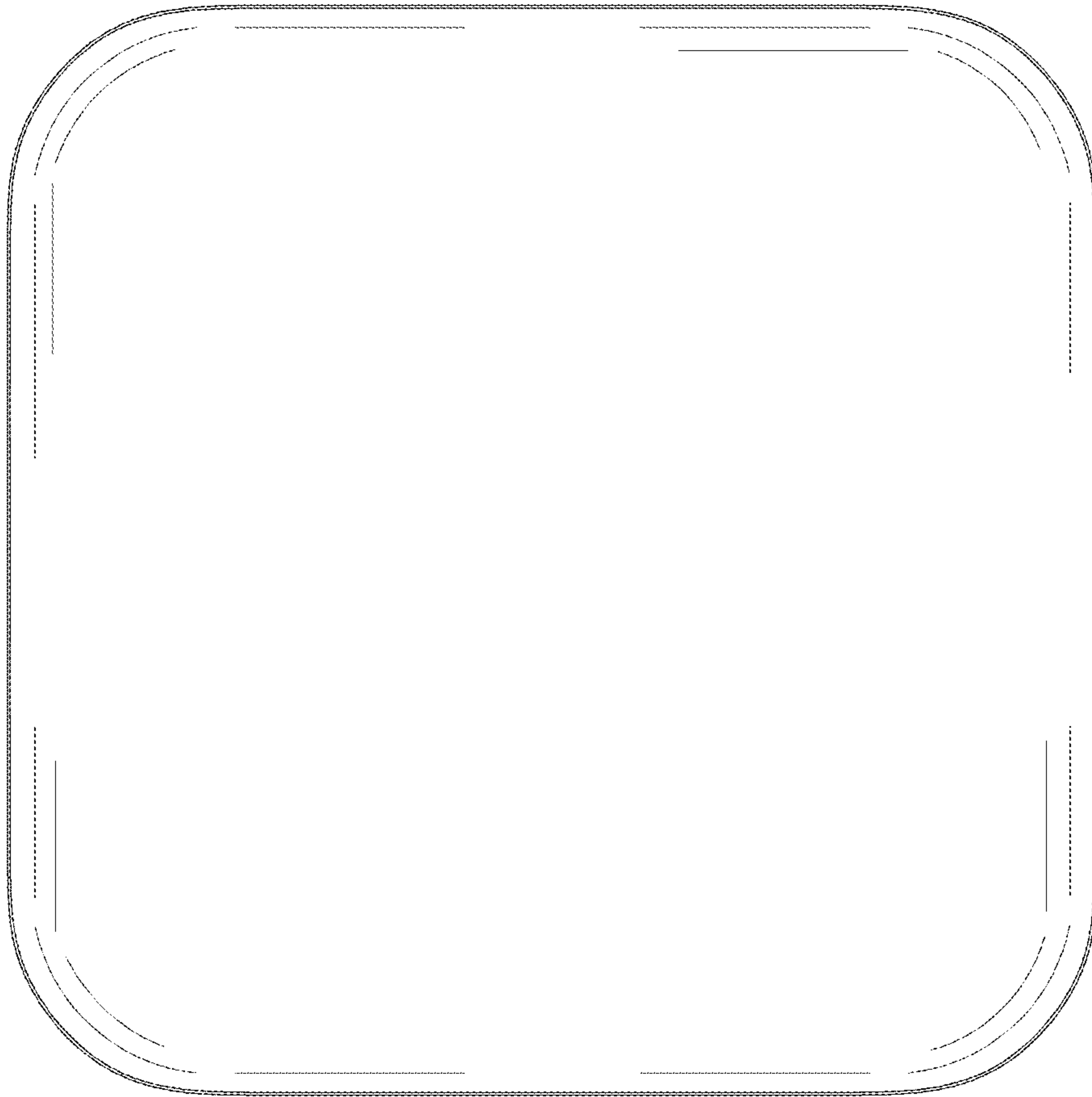


FIG. 6



FIG. 7

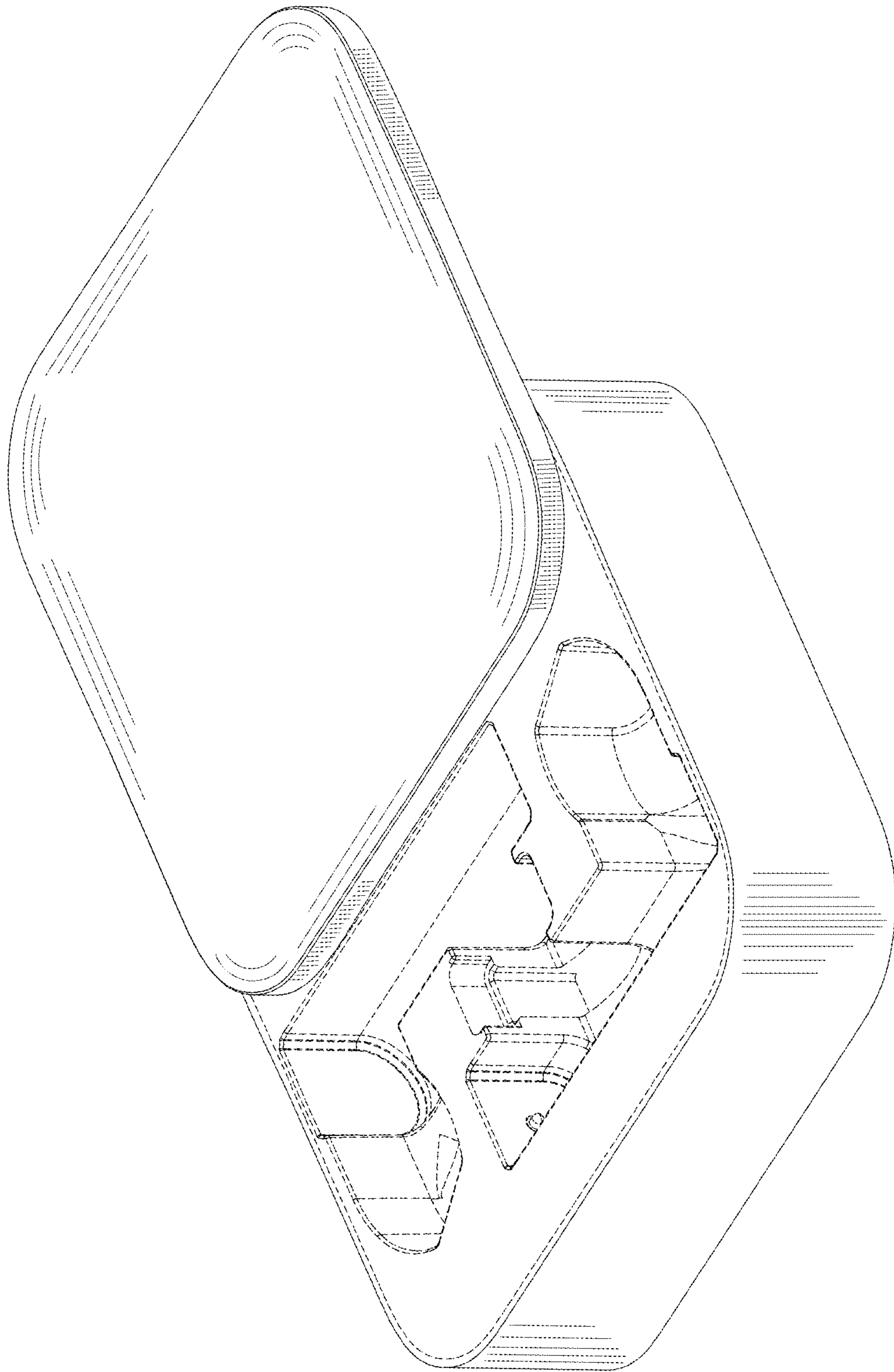


FIG. 8

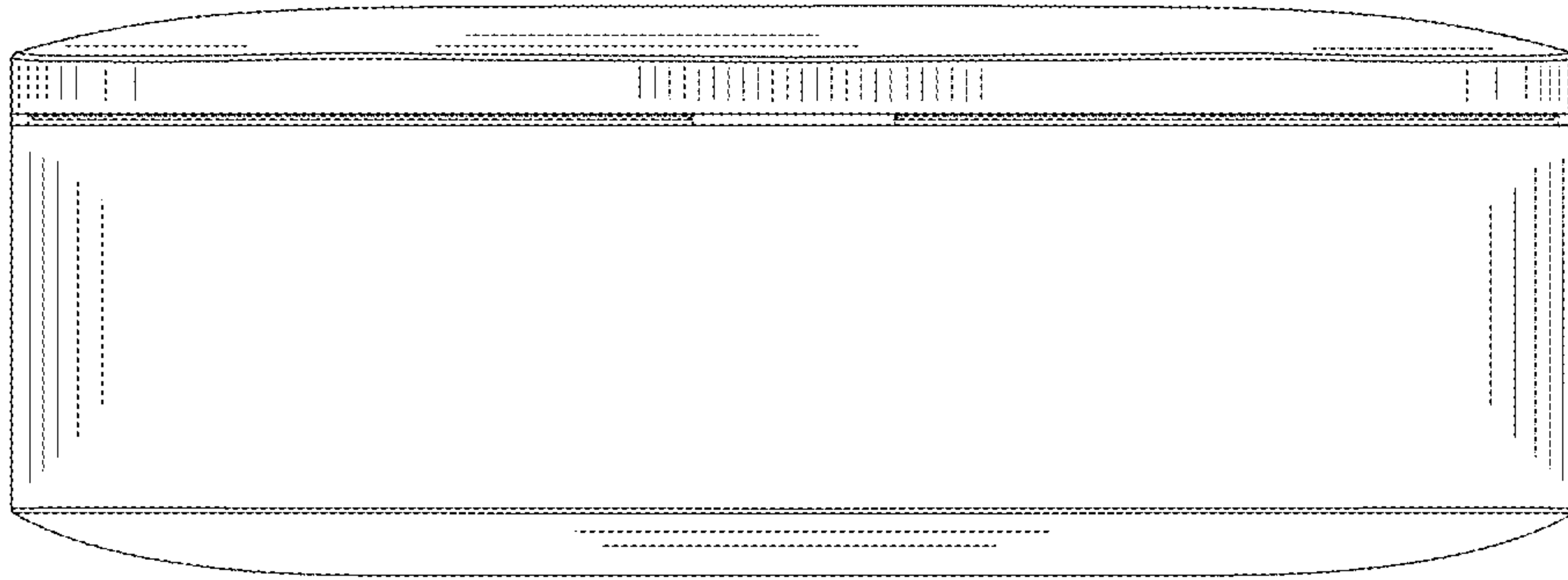


FIG. 9

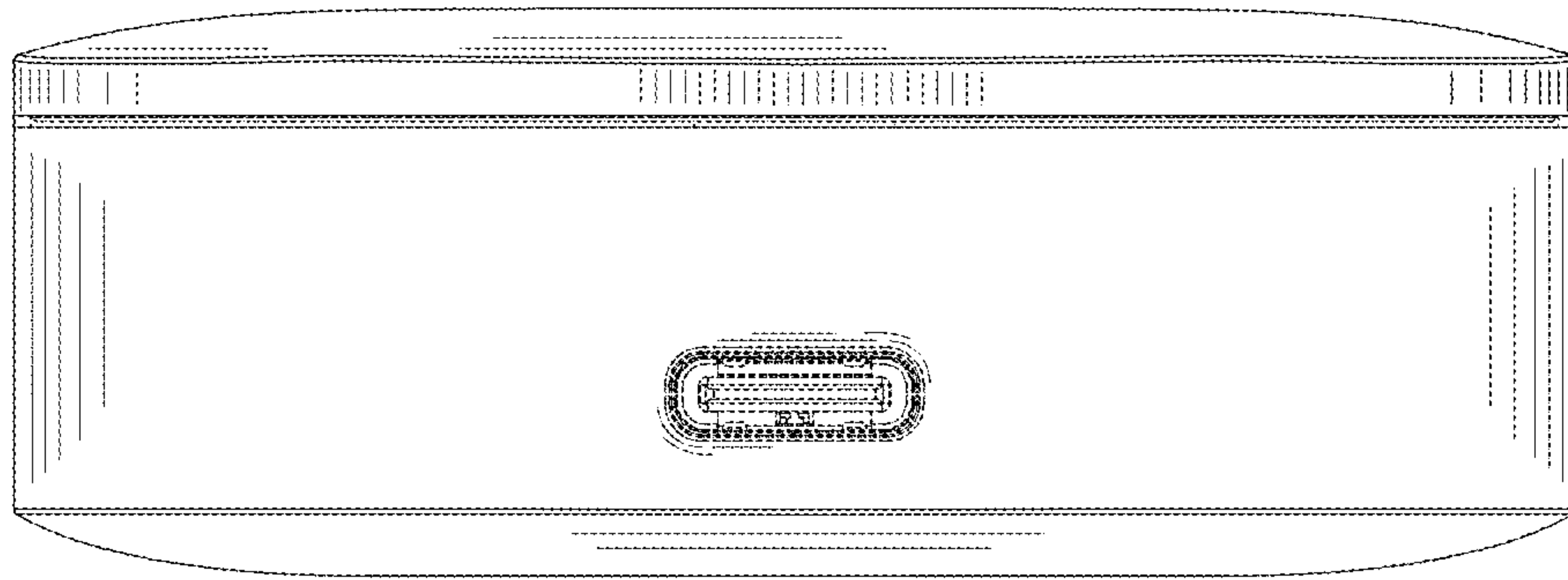


FIG. 10

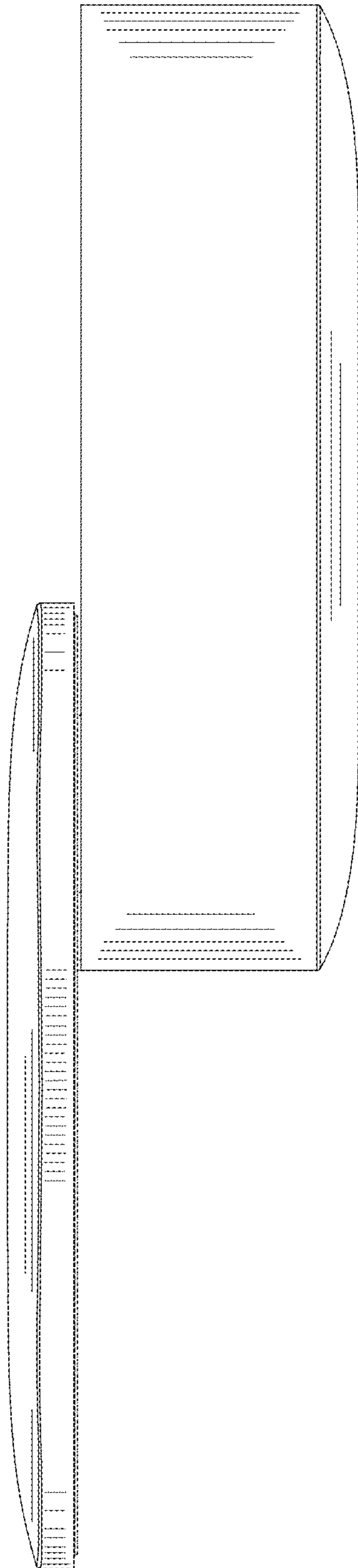


FIG. 11

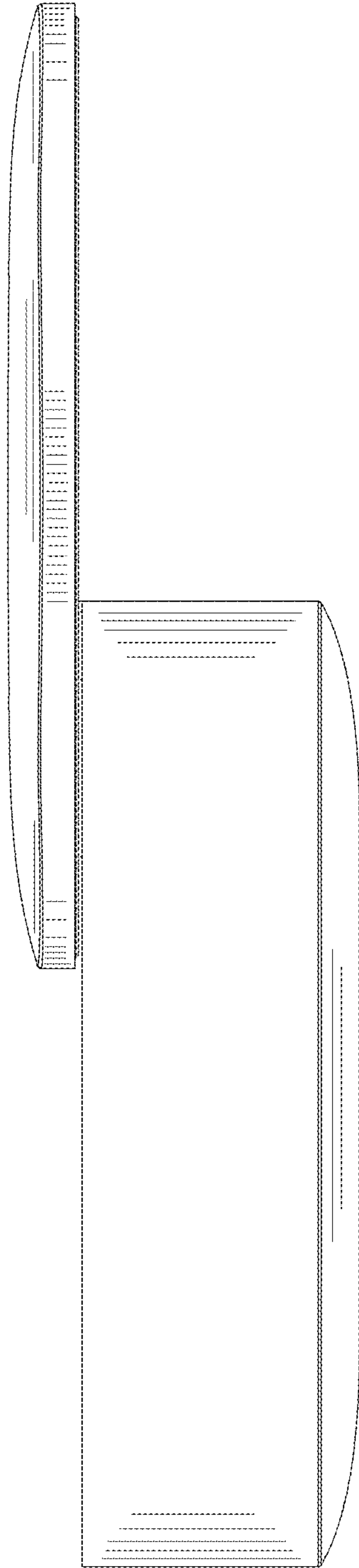


FIG. 12

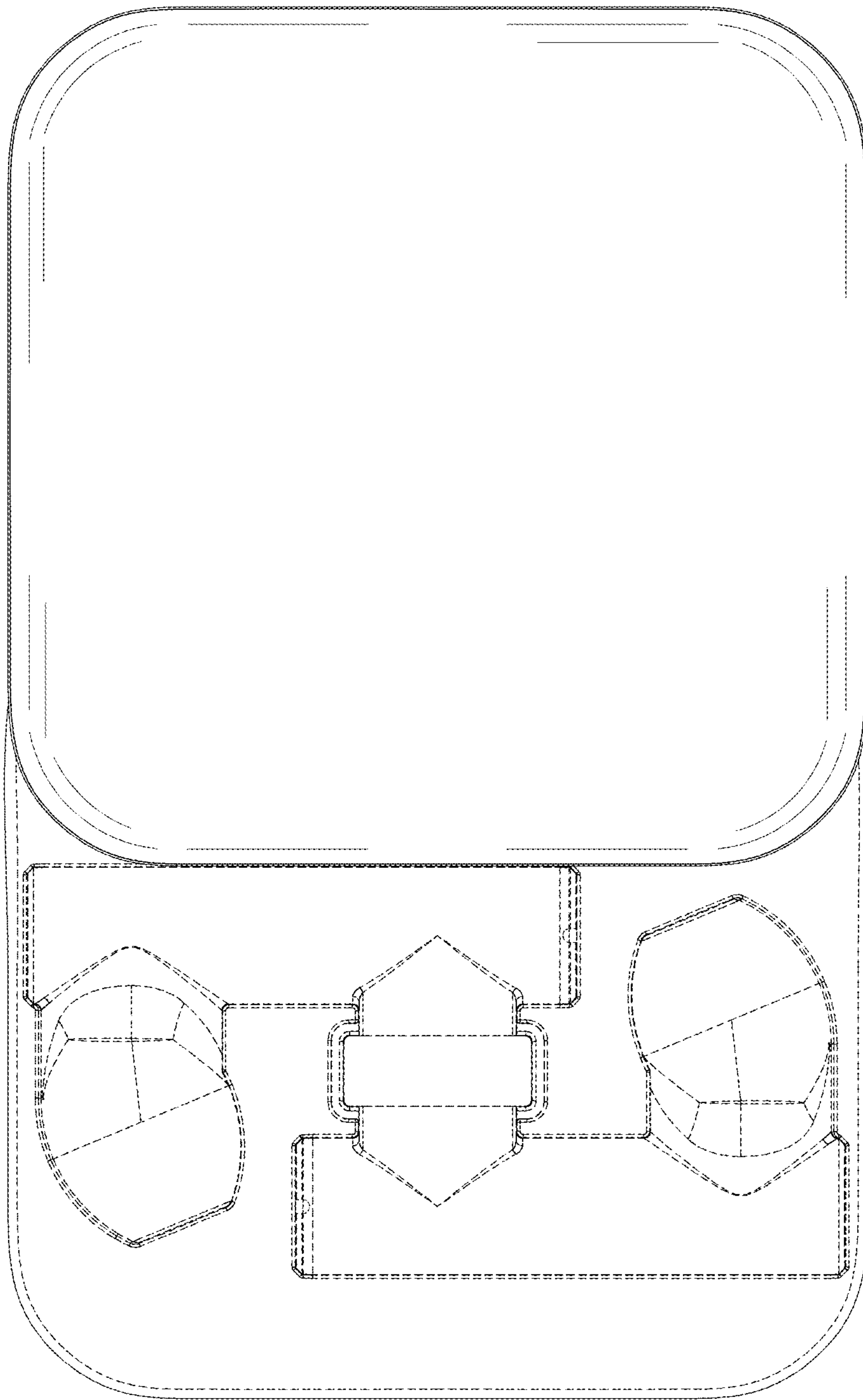


FIG. 13

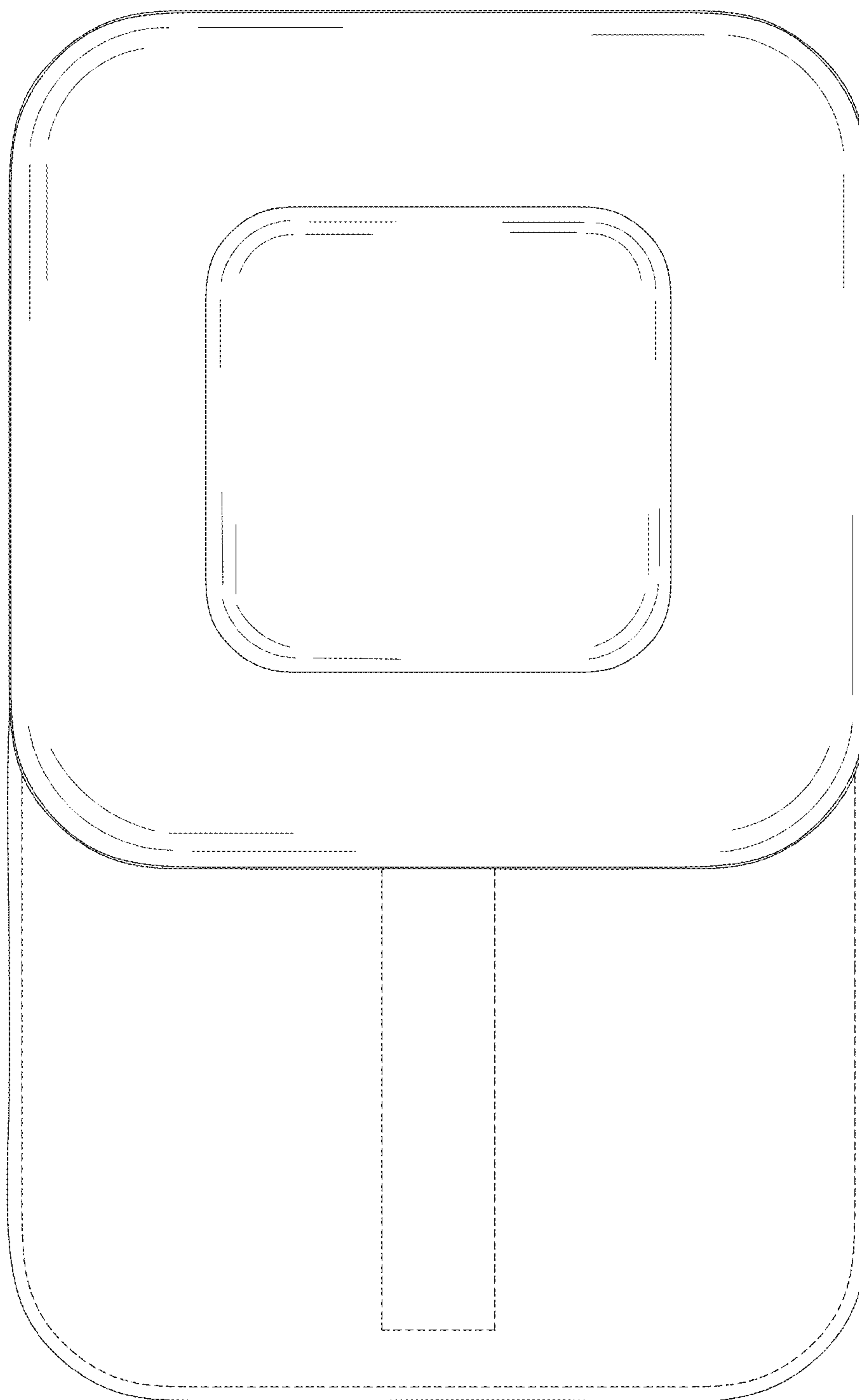


FIG. 14