



US00D964268S

(12) **United States Design Patent** (10) **Patent No.:** **US D964,268 S**
Gong (45) **Date of Patent:** **** Sep. 20, 2022**

(54) **HANGING HOOK FOR LED LIGHTS**

(71) Applicant: **Weimin Gong**, Fuzhou (CN)

(72) Inventor: **Weimin Gong**, Fuzhou (CN)

(**) Term: **15 Years**

(21) Appl. No.: **29/772,758**

(22) Filed: **Mar. 4, 2021**

(51) **LOC (13) Cl.** **13-02**

(52) **U.S. Cl.**
USPC **D13/103**

(58) **Field of Classification Search**

USPC D13/103, 108, 110, 118, 133, 154, 183,
D13/184, 199; D9/504, 515; D14/216,
D14/240, 253, 388; D16/202, 203
CPC ... A41F 1/002; A45C 13/002; A45C 13/1069;
A45F 5/00; A44B 99/00; G09F 7/04;
F16B 47/003; F16M 13/00

See application file for complete search history.

(56) **References Cited**

U.S. PATENT DOCUMENTS

D888,662 S *	6/2020	Cramer	D13/108
D904,326 S *	12/2020	Zhang	D14/253
D906,239 S *	12/2020	Ruiz Hernandez	D32/29.1
D919,563 S *	5/2021	Bober	D13/108
D933,601 S *	10/2021	Yoneyama	D13/108
D936,040 S *	11/2021	Zhao	D14/223
D937,774 S *	12/2021	Fernando	D14/223
D940,074 S *	1/2022	Bae	D13/108
D941,762 S *	1/2022	Ye	D3/294
D942,939 S *	2/2022	Bourgeois	D13/107
D945,364 S *	3/2022	Chang	D13/108
D947,119 S *	3/2022	Canham	D13/108
D947,145 S *	3/2022	Lin	D13/118

OTHER PUBLICATIONS

Egg Chargers. (Design—© Questel) orbit.com. [Online PDF compilation of references] 57 pgs. Print Dates Range Dec. 9, 2021-Sep. 14, 2021 [Retrieved Apr. 5, 2022].*
Bump USB Wall Charger and Power Bank. Mar. 30, 2016. Cool Things. <https://www.coolthings.com/bump-usb-wall-charger-power-bank/>. *
OPKIX One. Feb. 8, 2020. Amazon. https://www.amazon.com/OPKIX-One-Wearable-Hands-Free-Waterproof/dp/B084JCM122/ref=cm_cr_arp_d_product_top?ie=UTF8. *
Egg shaped power bank. Before Mar. 19, 2015. DIY Trade. https://www.diytrade.com/china/pd/11583852/power_bank_4400mAh_egg_shaped_power_bank.html. *

* cited by examiner

Primary Examiner — George D. Kirschbaum
Assistant Examiner — Suzanne E Tisdell

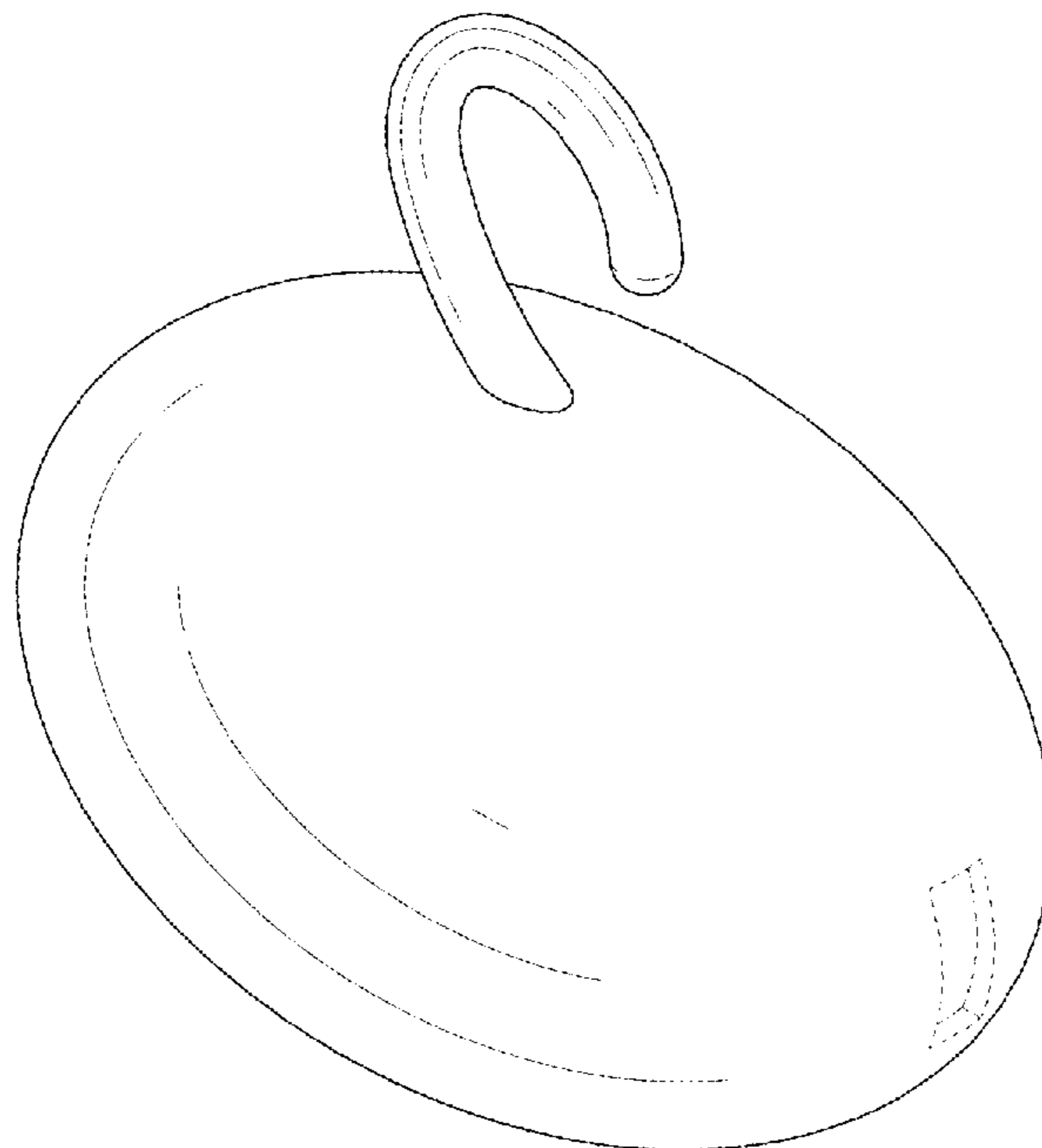
(57) **CLAIM**

The ornamental design for a hanging hook for LED lights, as shown and described.

DESCRIPTION

FIG. 1 is a first perspective view of a hanging hook for LED lights showing my new design;
FIG. 2 is a second perspective view thereof;
FIG. 3 is a front view thereof;
FIG. 4 is a back view thereof;
FIG. 5 is a left side view thereof;
FIG. 6 is a right side view thereof;
FIG. 7 is a top view thereof; and,
FIG. 8 is a bottom view thereof.
The broken lines shown in the drawings depict portions of the hanging hook for LED lights in which the design is embodied that form no part of the claimed design.

1 Claim, 8 Drawing Sheets



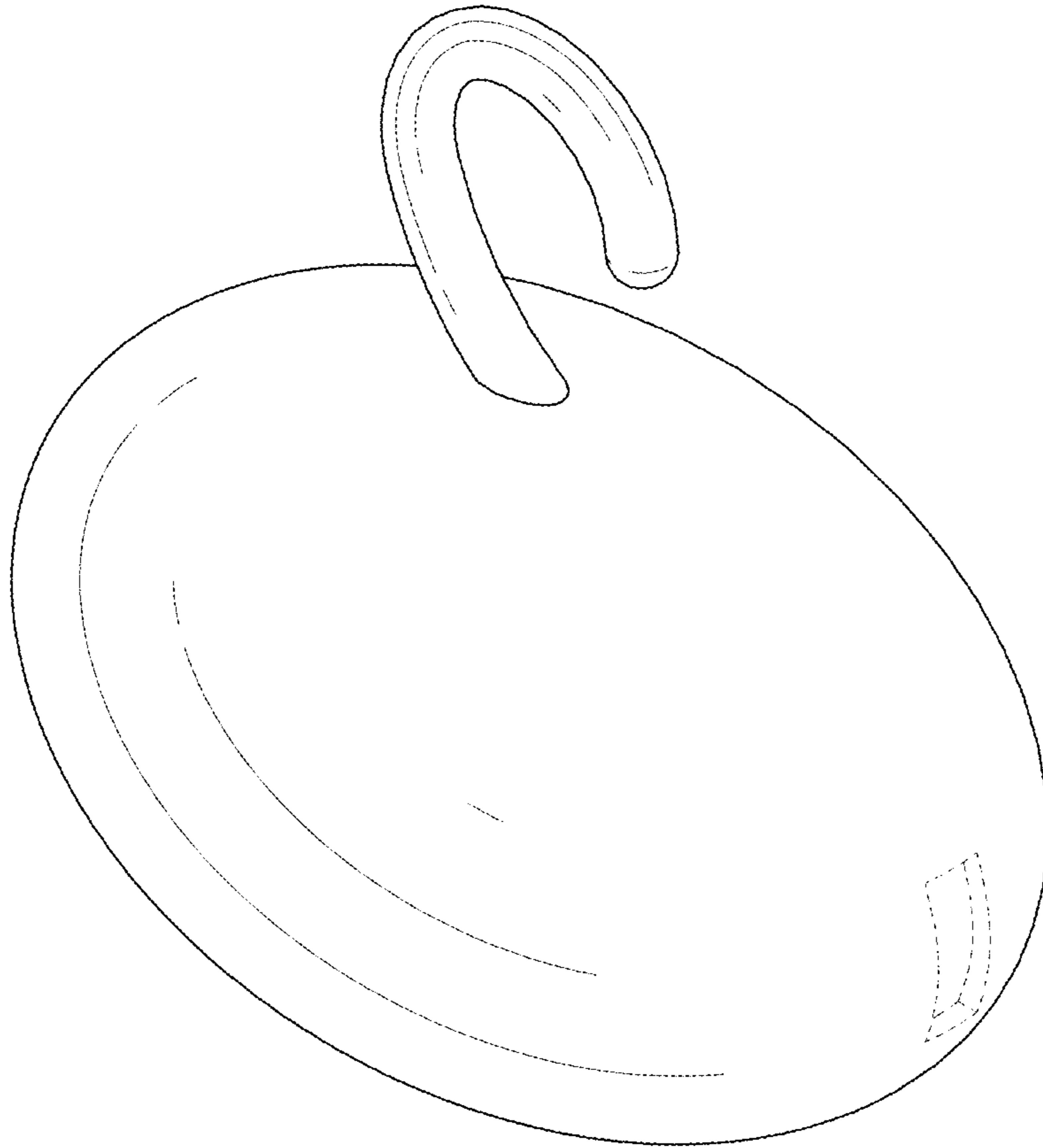


FIG. 1

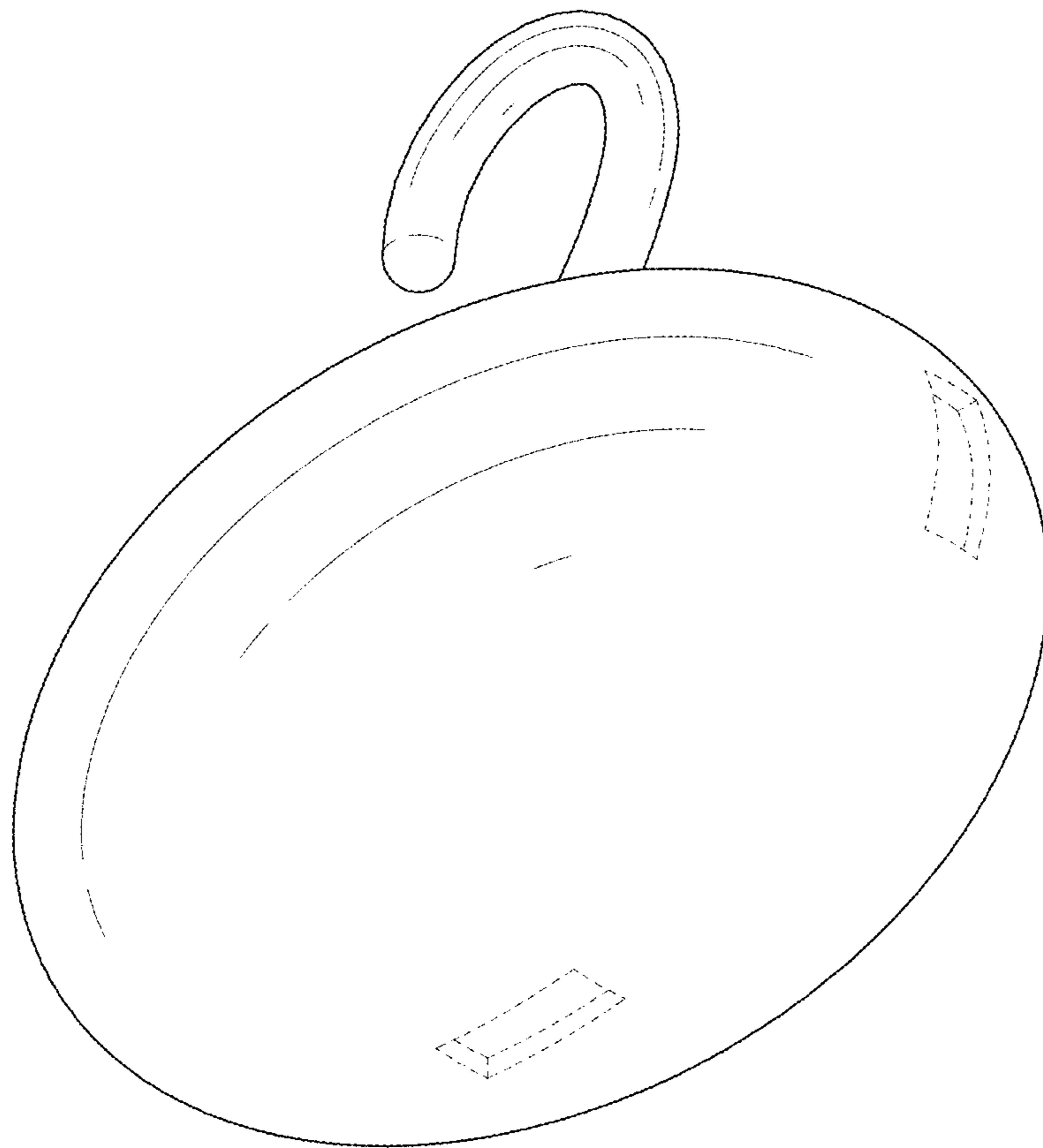


FIG. 2



FIG. 3



FIG. 4

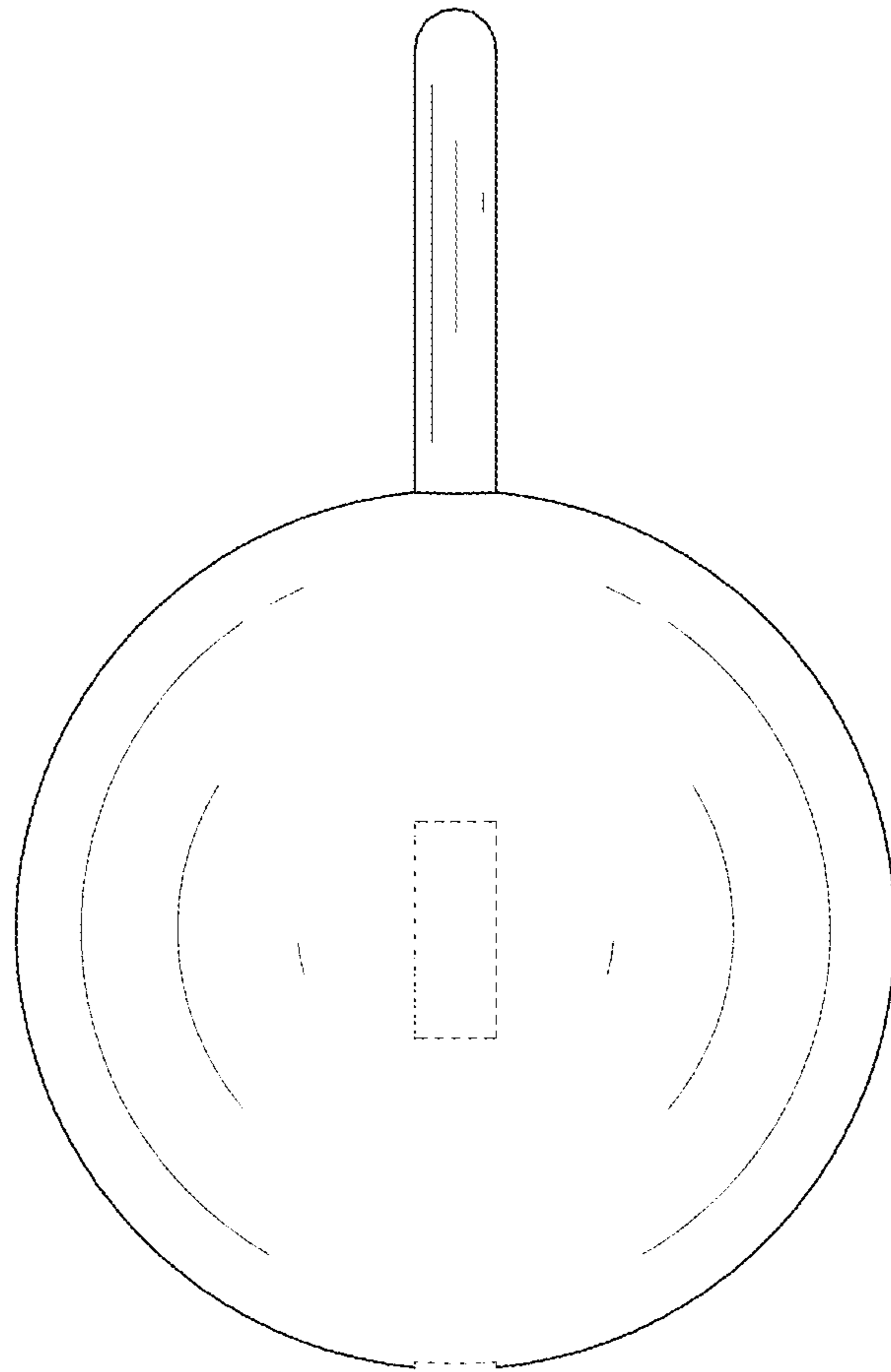


FIG. 5

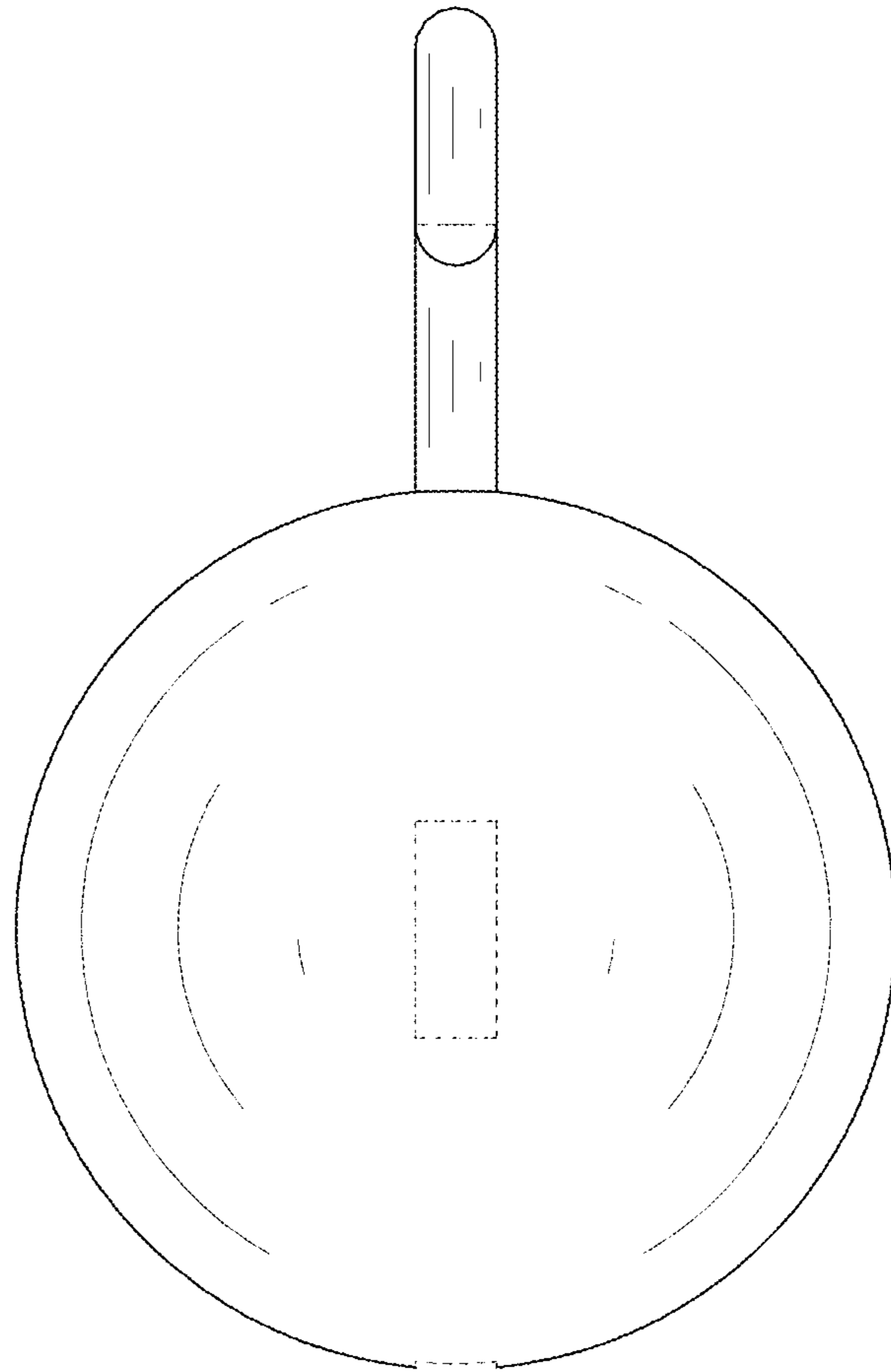


FIG. 6

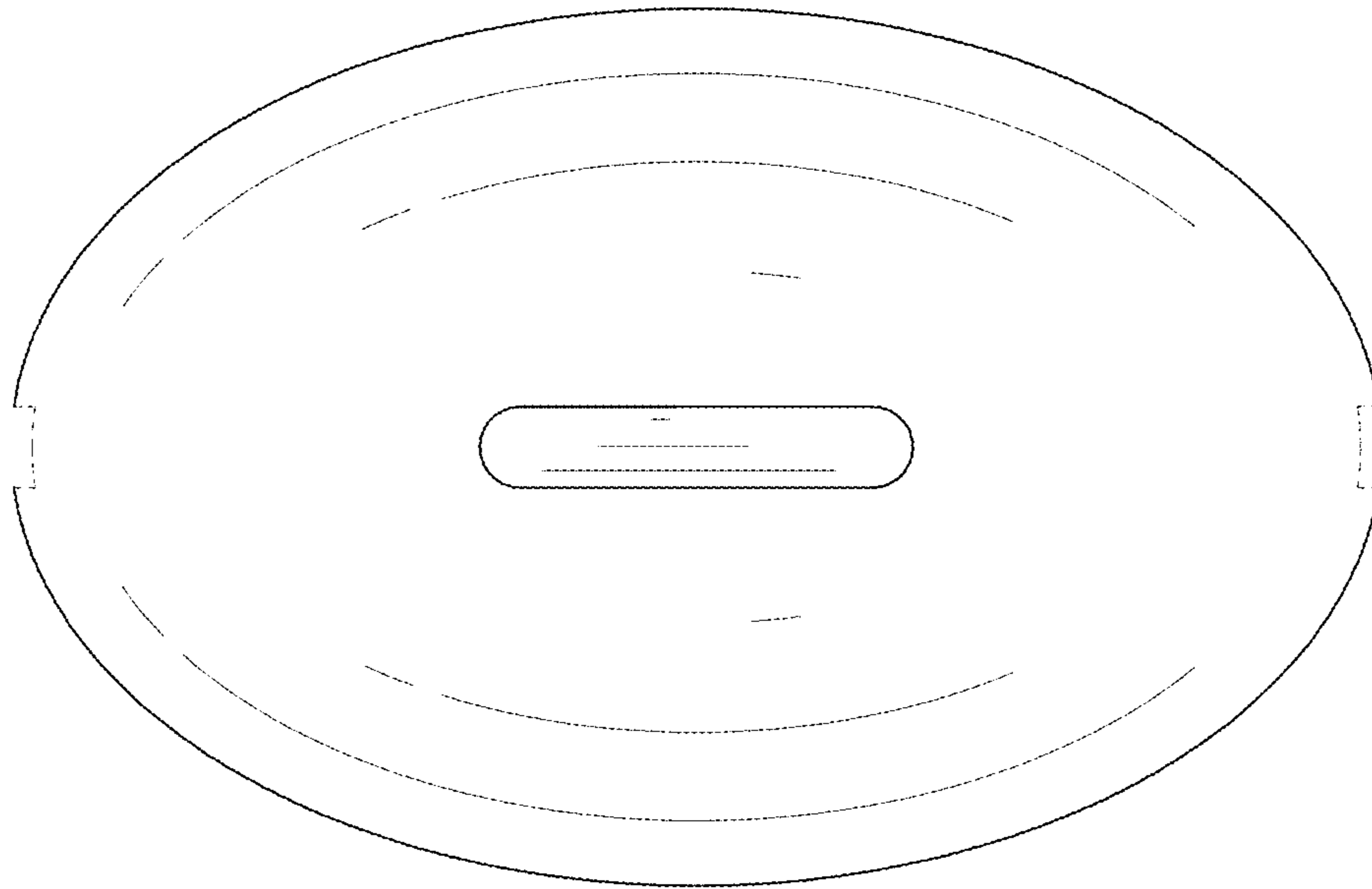


FIG. 7

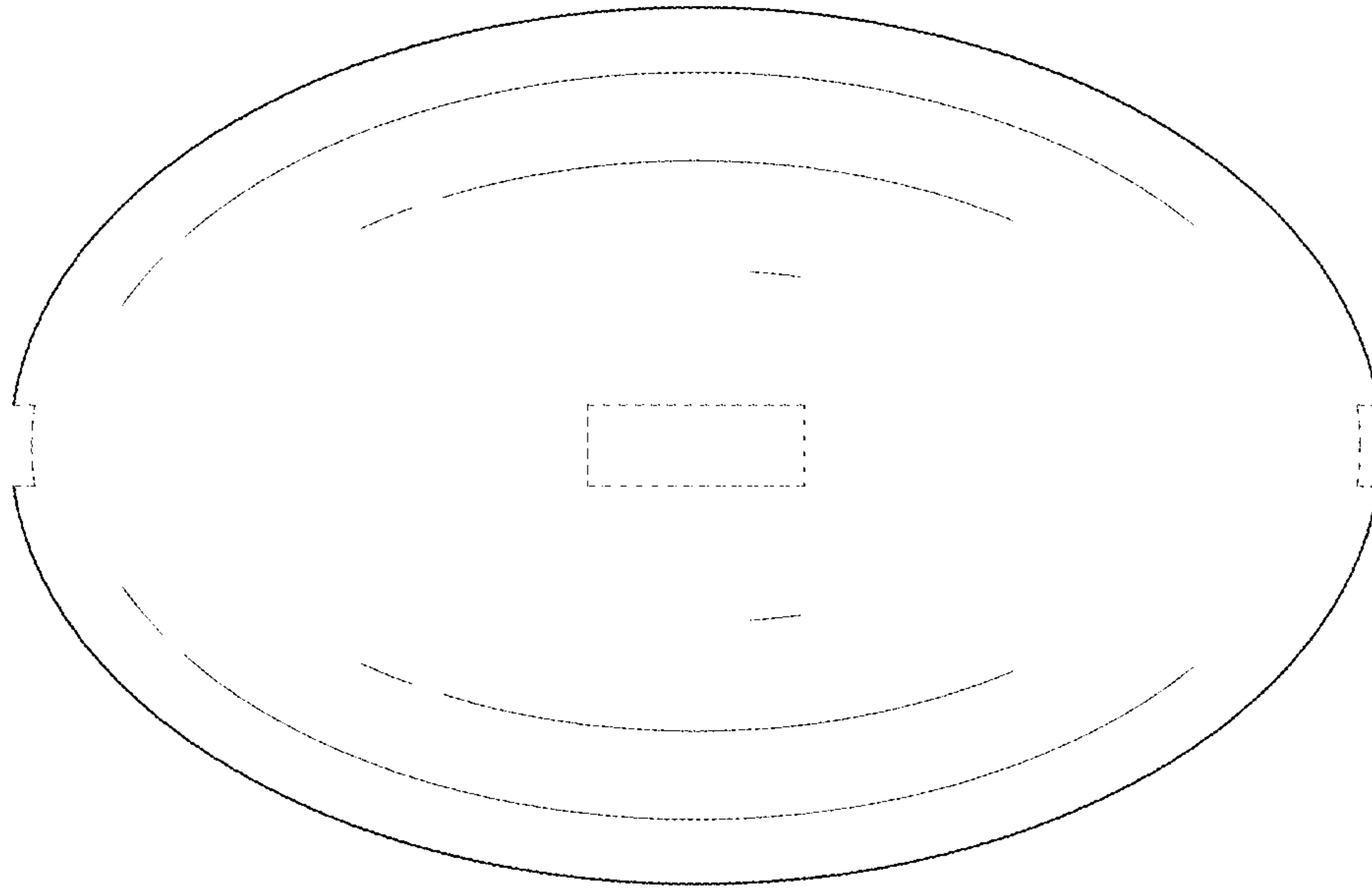


FIG. 8