



US00D964267S

(12) **United States Design Patent** (10) **Patent No.:** **US D964,267 S**  
**Hu et al.** (45) **Date of Patent:** **\*\* Sep. 20, 2022**

(54) **BATTERY**

(71) Applicant: **Beijing Niu Information Technology Co., Ltd.**, Beijing (CN)

(72) Inventors: **Yilin Hu**, Beijing (CN); **Chuankai Liu**, Beijing (CN); **Xuewu Zhang**, Beijing (CN); **Yuancheng Liu**, Beijing (CN)

(73) Assignee: **Beijing Niu Information Technology Co., Ltd.**, Beijing (CN)

(\*\*) Term: **15 Years**

(21) Appl. No.: **29/755,324**

(22) Filed: **Oct. 19, 2020**

(30) **Foreign Application Priority Data**

Apr. 23, 2020 (CN) ..... 202030172046.8

(51) **LOC (13) Cl.** ..... **13-02**

(52) **U.S. Cl.**  
USPC ..... **D13/103**

(58) **Field of Classification Search**

USPC ..... D13/102–106, 110, 118–119, 184  
CPC . Y02E 60/10; H01M 2220/30; H01M 50/209;  
H01M 50/213; H01M 50/183; H01M  
50/10; H01M 50/529; H01M 50/531;  
H01M 10/0525; H01M 10/0436; H01M  
10/052; H01M 10/0565; H01M 10/30;  
H01M 10/345; H01M 10/425; H01M  
2010/0495; B25F 5/02; B25F 5/00; A61B  
2017/00734

See application file for complete search history.

(56) **References Cited**

U.S. PATENT DOCUMENTS

D386,952 S *	12/1997	Jasso, Jr. ....	D13/184
D490,370 S *	5/2004	Picardo ....	D13/103
D504,110 S *	4/2005	Berentzen ....	D13/103
D557,203 S *	12/2007	Grunow ....	D13/103
D576,545 S *	9/2008	Mandel ....	D13/103
D709,824 S *	7/2014	Evans ....	D13/103
D776,614 S *	1/2017	Sbhnholz ....	D13/110
D810,677 S *	2/2018	Chen ....	D13/103
D827,569 S *	9/2018	Roberts ....	D13/103
D873,766 S *	1/2020	Ansehn ....	D13/103
D922,941 S *	6/2021	Antonio ....	D13/103
D928,000 S *	8/2021	Bernard ....	D10/70
D942,936 S *	2/2022	Deng ....	D13/110

\* cited by examiner

*Primary Examiner* — Nathaniel D. Buckner

(74) *Attorney, Agent, or Firm* — Dragon Sun Law Firm, PC; Jinggao Li, Esq.; Nathaniel Perkins

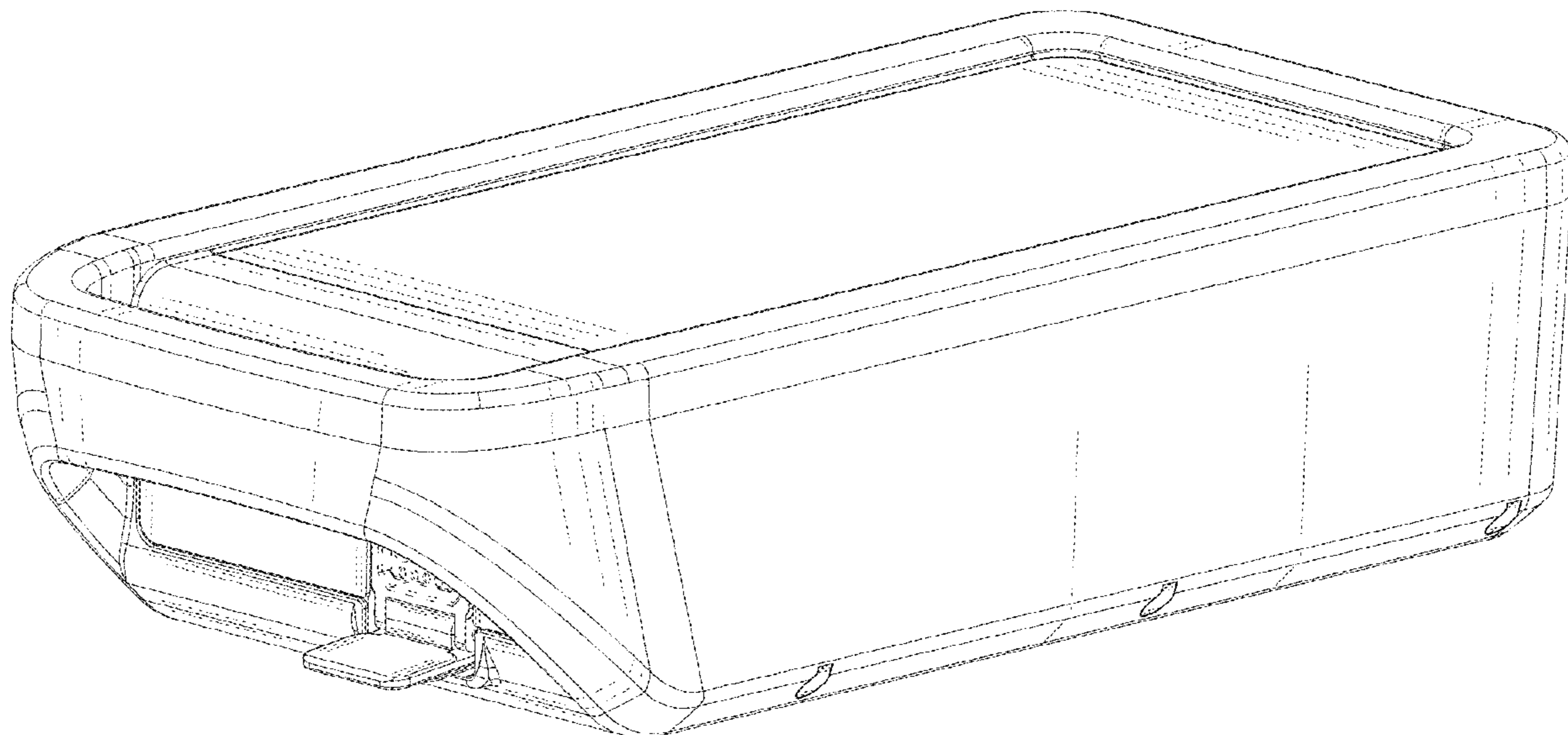
(57) **CLAIM**

The ornamental design for a battery, as shown and described.

**DESCRIPTION**

FIG. 1 is a perspective view of a battery showing my new design;  
FIG. 2 is a front view thereof;  
FIG. 3 is a rear view thereof;  
FIG. 4 is an enlarged left view thereof;  
FIG. 5 is an enlarged right view thereof;  
FIG. 6 is a top view thereof; and,  
FIG. 7 is a bottom view thereof.  
The broken lines shown in the figures depict portions of the battery that form no part of the claimed design.

**1 Claim, 7 Drawing Sheets**



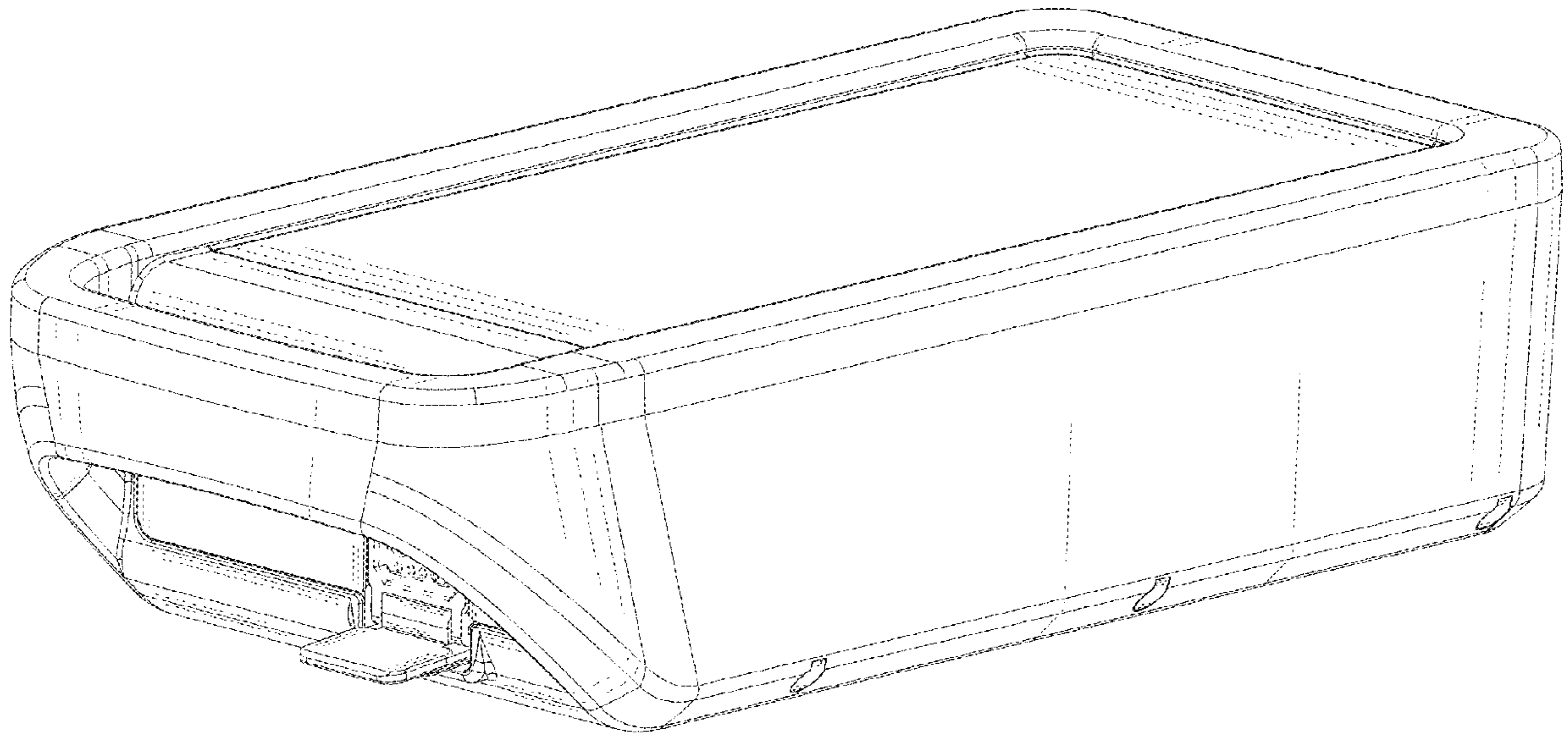


FIG. 1

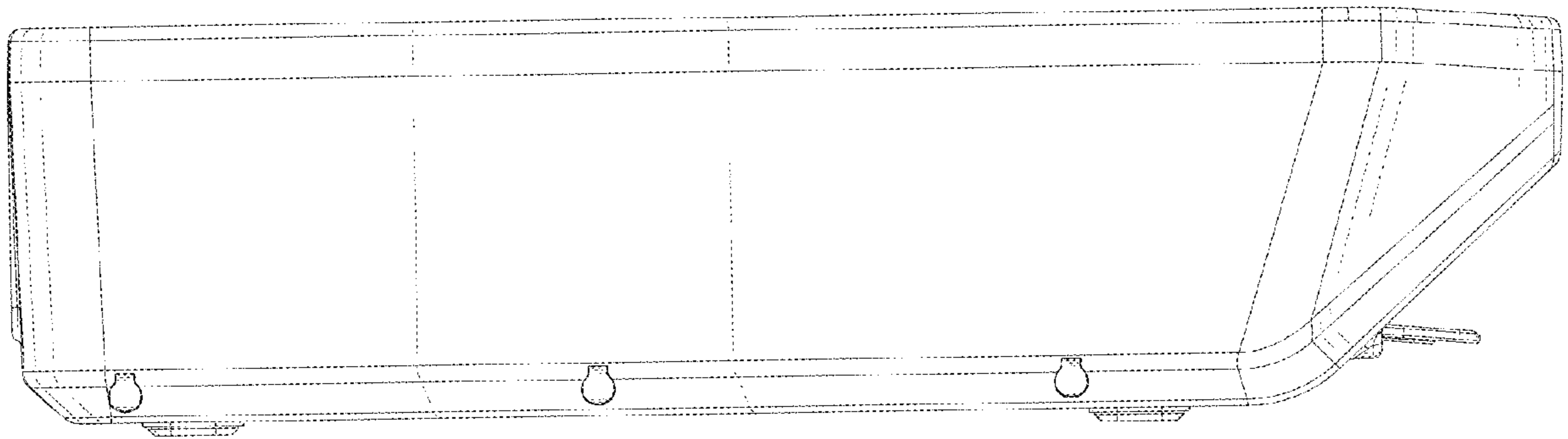


FIG. 2

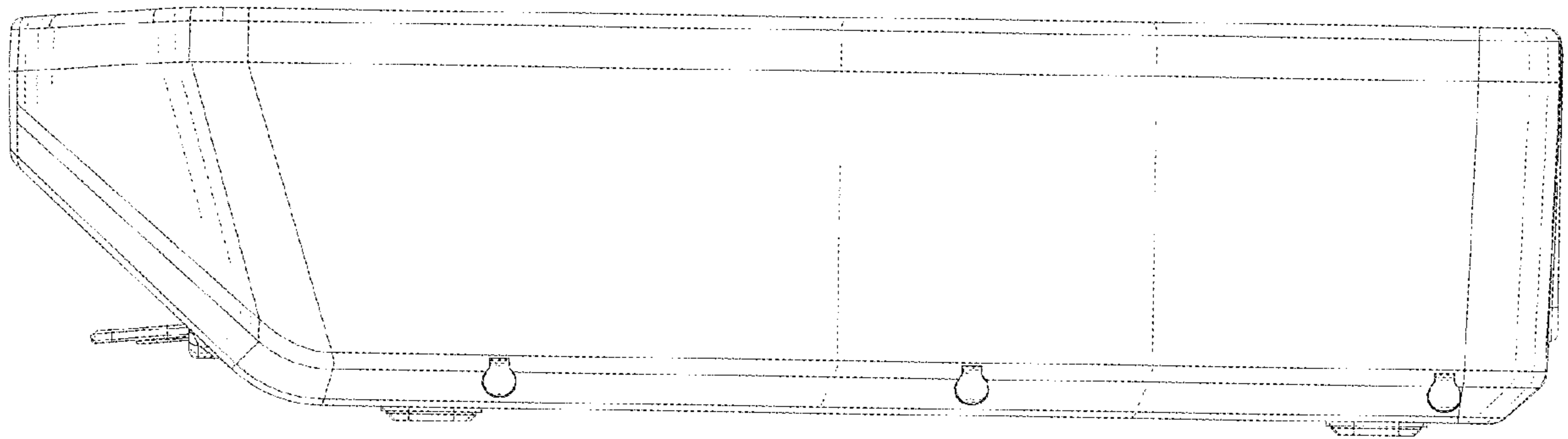


FIG. 3

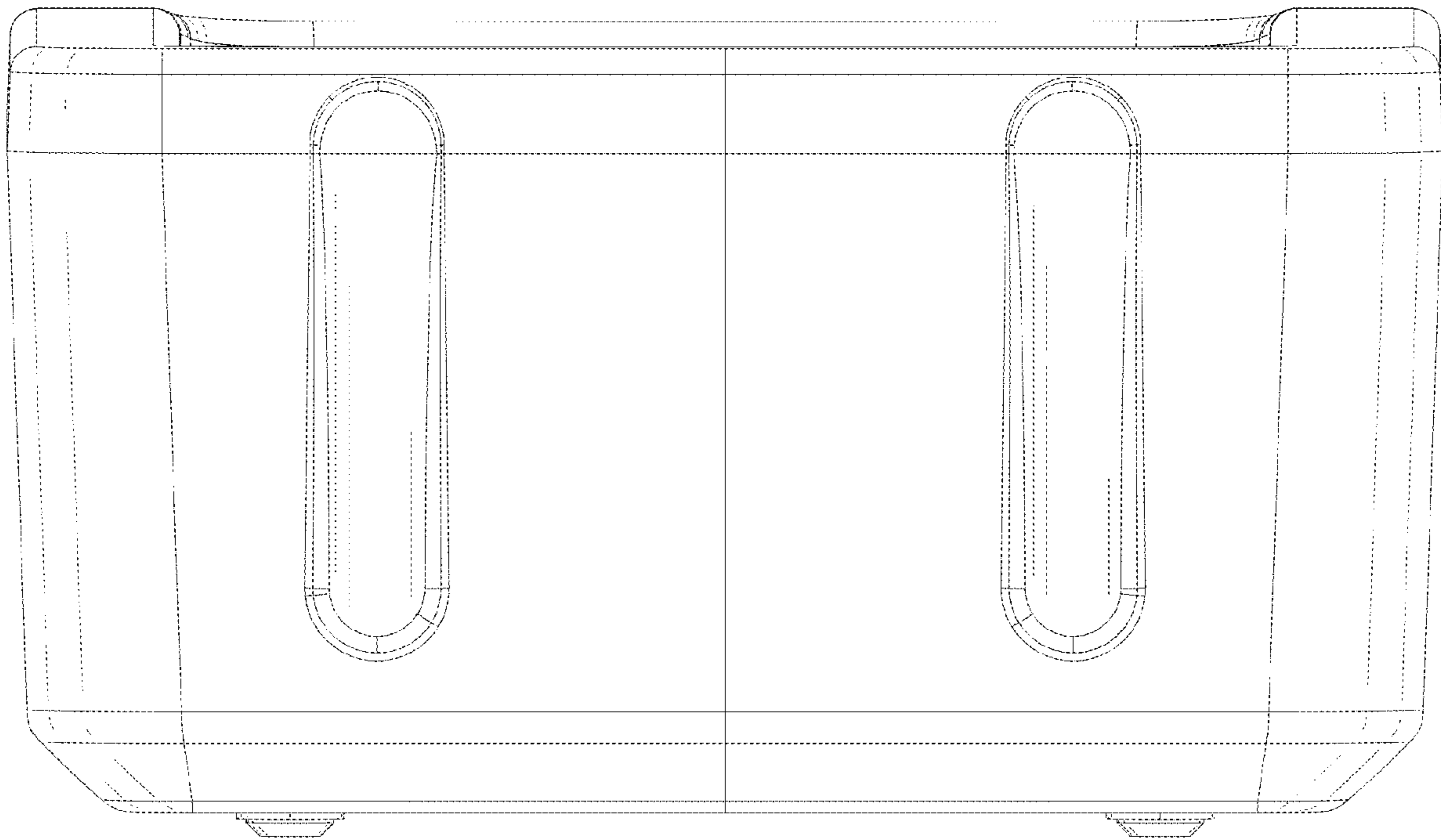


FIG. 4

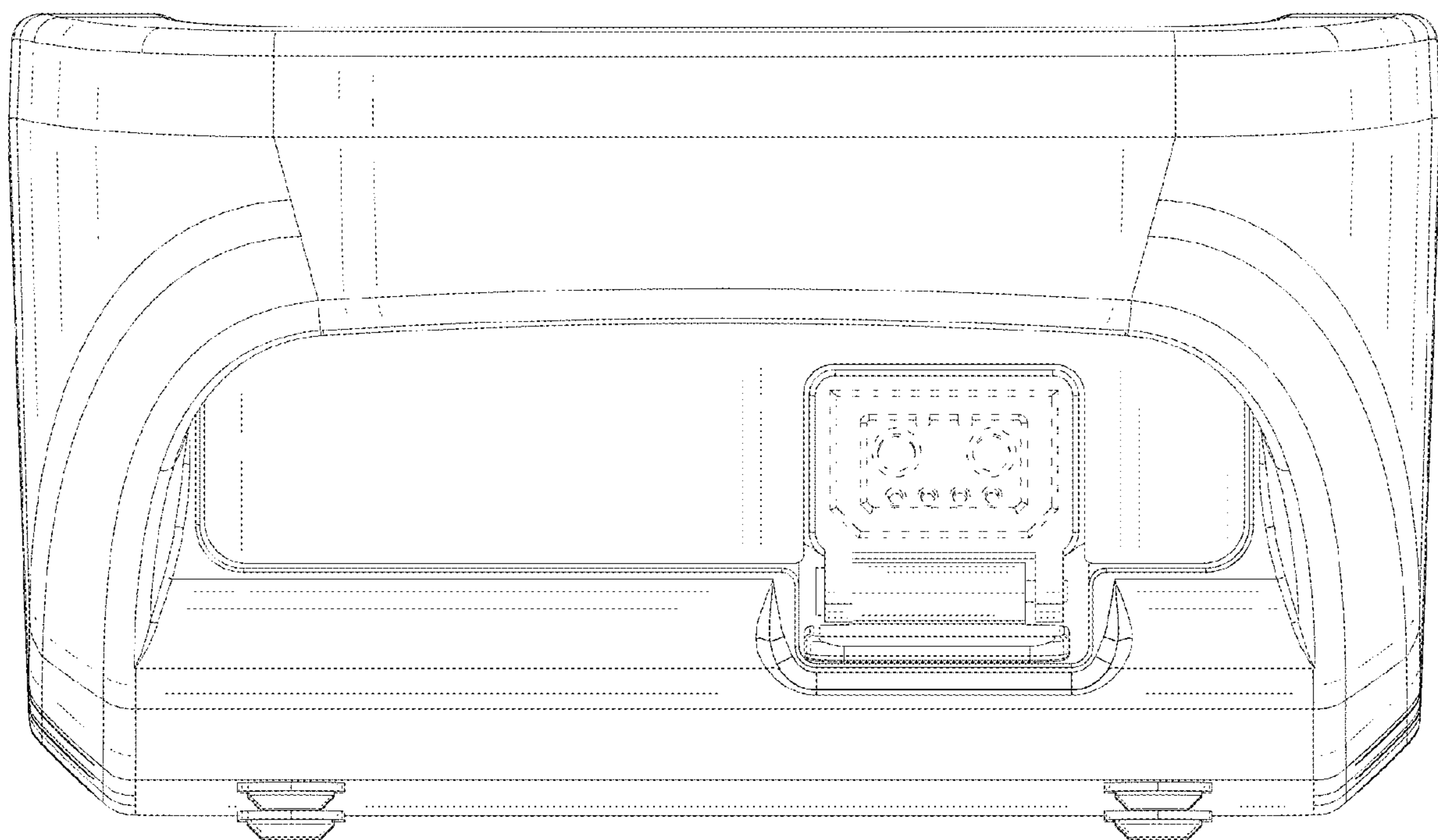


FIG. 5

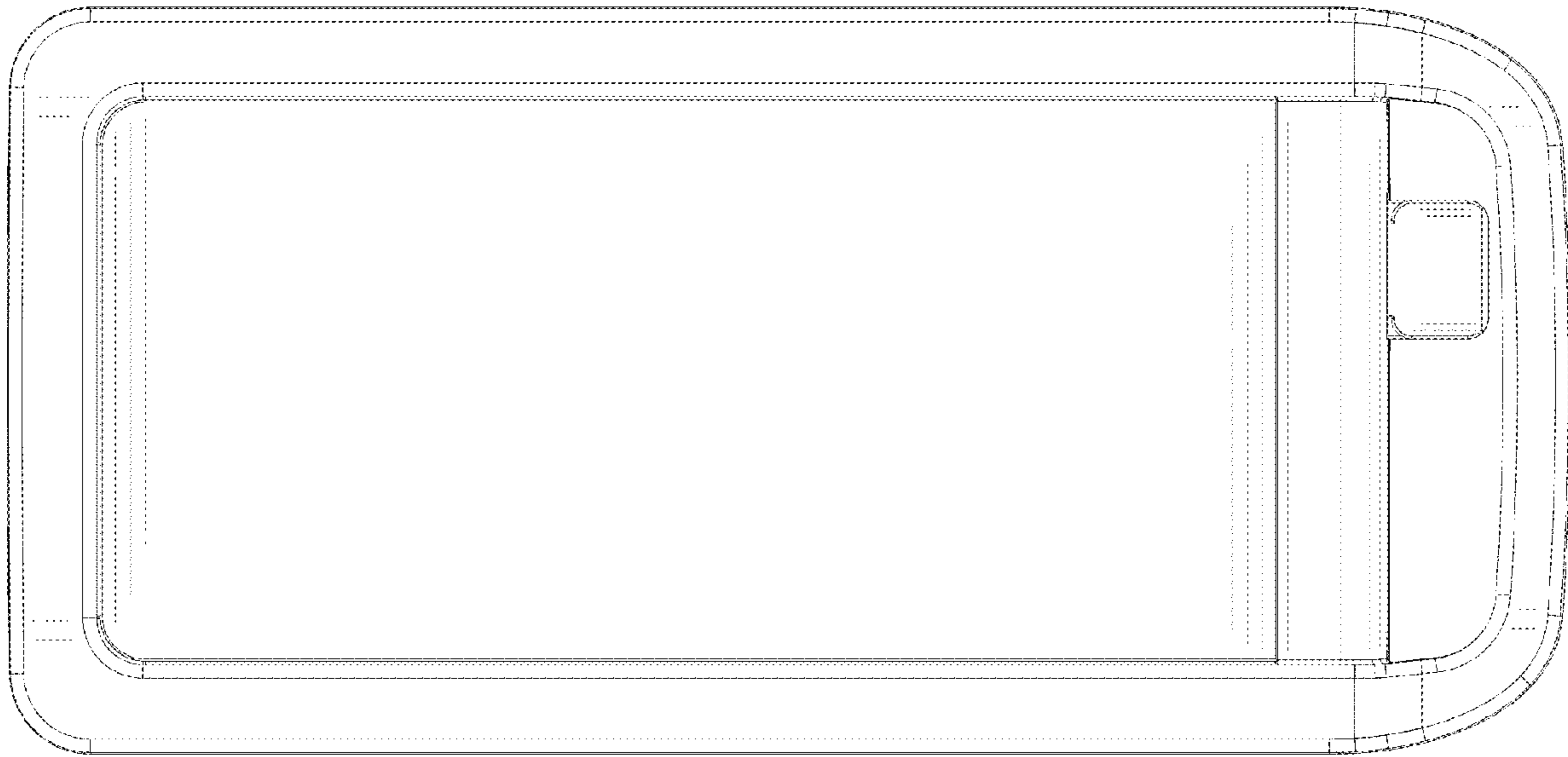


FIG. 6

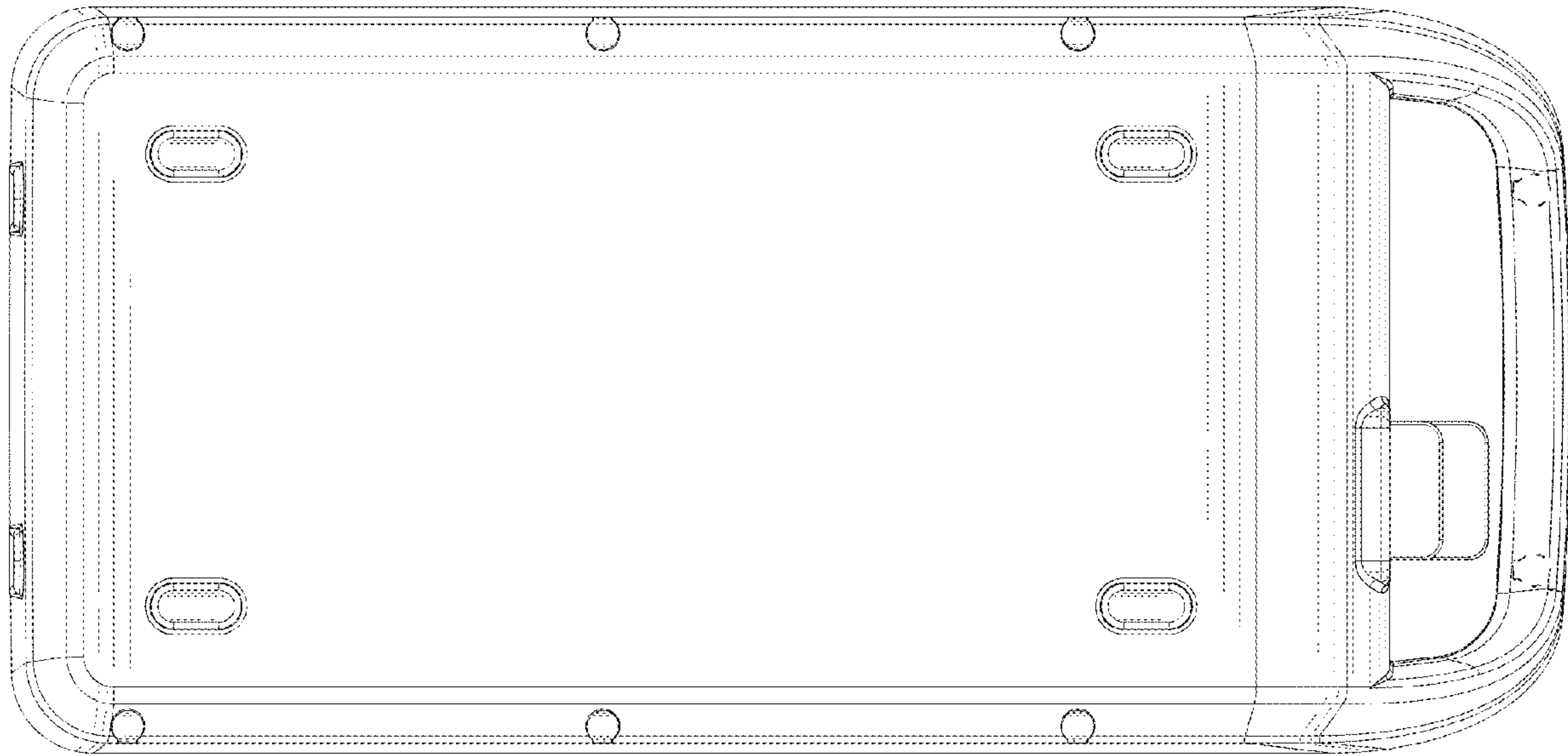


FIG. 7