



US00D964266S

(12) **United States Design Patent**
Bublitz

(10) **Patent No.:** **US D964,266 S**

(45) **Date of Patent:** **** Sep. 20, 2022**

(54) **BATTERY PACK CASING**

(71) Applicant: **APEX BRANDS, INC.**, Apex, NC
(US)

(72) Inventor: **Scott Bublitz**, Denver, NC (US)

(73) Assignee: **APEX BRANDS, INC.**, Apex, NC
(US)

(**) Term: **15 Years**

(21) Appl. No.: **29/728,364**

(22) Filed: **Mar. 18, 2020**

(51) **LOC (13) Cl.** **13-02**

(52) **U.S. Cl.**
USPC **D13/103**

(58) **Field of Classification Search**
USPC D13/102-110, 118, 119, 153, 154, 184,
D13/199

CPC Y02E 60/10; Y02E 60/12; Y02E 60/122;
Y02E 60/124; Y02E 60/50; H01M 2/02;
H01M 2/022; H01M 2/0202; H01M
2/0207; H01M 2/0212; H01M 2/1061;
H01M 2/1022; H01M 2/1055; H01M
2/1066; H01M 2/105; H01M 2/20; H01M
2/202; H01M 2/204; H01M 2/206; H01M
2200/30; H01M 2250/30; H01M 2250/40;
H01M 10/44; H01M 10/46; H01M
10/465; H01M 10/482; H01M 10/4257;
H01M 10/0436; H01M 10/48; H02J
7/0034; H02J 7/0054; H02J 7/1423; H02J
7/00; H02J 7/0003; H02J 7/0011; H02J
7/0013; H02J 7/0055; H02J 7/0057;
Y02T 10/7005; Y02T 10/705; Y02T
10/7088

See application file for complete search history.

(56) **References Cited**

U.S. PATENT DOCUMENTS

D528,975 S * 9/2006 Chi D13/103
D547,264 S * 7/2007 Kondo D13/103

D597,482 S * 8/2009 Kondo D13/103
D682,195 S * 5/2013 Aglassinger D13/103
D699,672 S * 2/2014 Kosugi D13/103
D818,949 S * 5/2018 Dunkin D13/103
D869,387 S * 12/2019 Ensing D13/103
D908,082 S * 1/2021 Lundbaeck D13/103
D911,932 S * 3/2021 Ensing D13/103
D912,617 S * 3/2021 Qiao D13/103
D918,829 S * 5/2021 Tinius D13/103
D923,562 S * 6/2021 Ensing D13/103
D949,782 S * 4/2022 Ensing D13/103

* cited by examiner

Primary Examiner — Christy Nemeth

(74) *Attorney, Agent, or Firm* — Burr & Forman LLP

(57) **CLAIM**

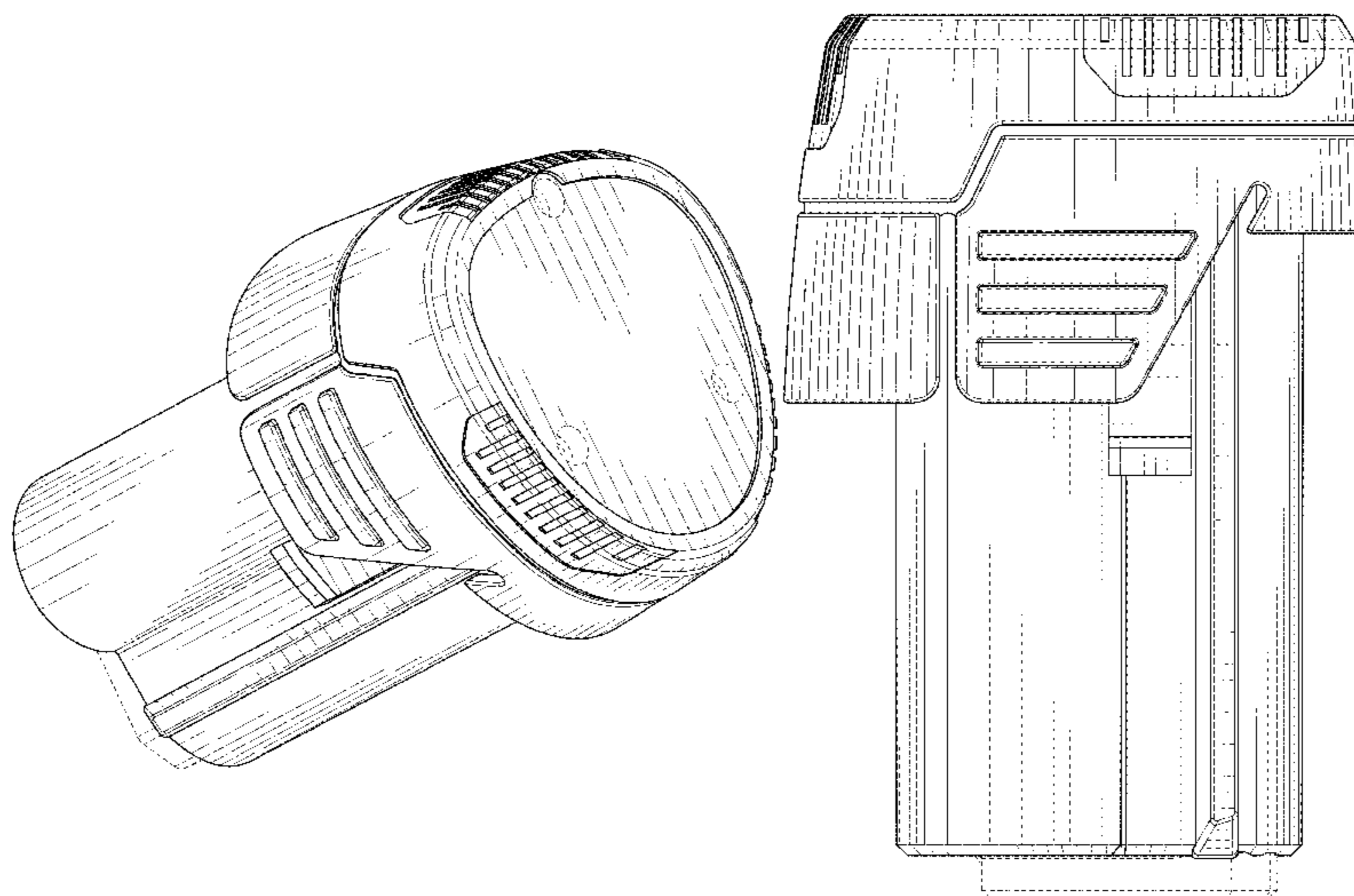
The ornamental design for a battery pack casing, as shown and described.

DESCRIPTION

FIG. 1 is a perspective view of a battery pack casing of our new design, shown in an environment of use;
FIG. 2 is another perspective view of the battery pack casing of FIG. 1;
FIG. 3 is a front view of the battery pack casing of FIG. 1;
FIG. 4 is a rear view of the battery pack casing of FIG. 1;
FIG. 5 is a left side view of the battery pack casing of FIG. 1;
FIG. 6 is a right side view of the battery pack casing of FIG. 1;
FIG. 7 is a top view of the battery pack casing of FIG. 1; and,
FIG. 8 is a bottom view of the battery pack casing of FIG. 1.

The broken lines in the drawings are for the purpose of illustrating environmental subject matter and portions of the article that form no part of the claimed design.

1 Claim, 8 Drawing Sheets



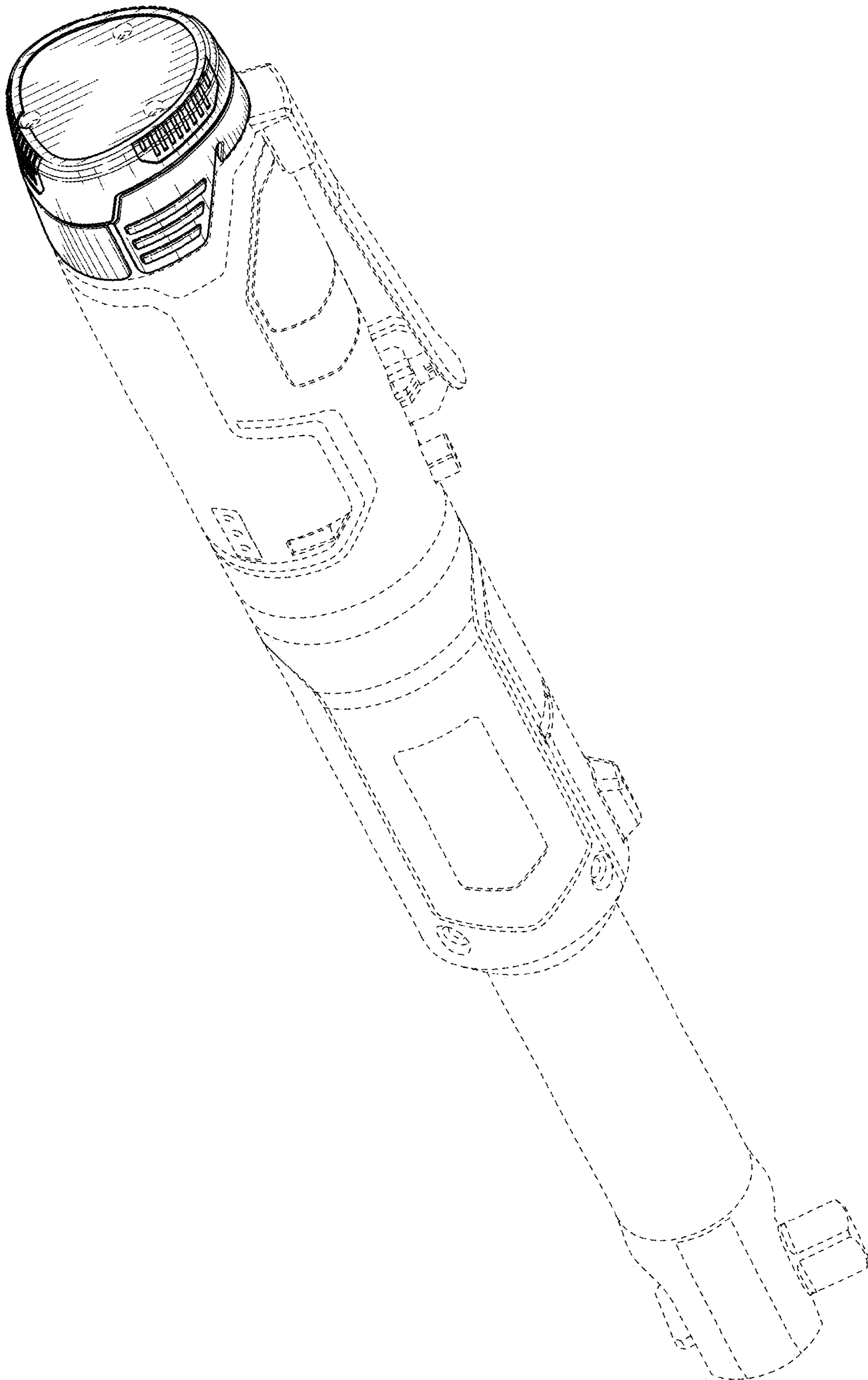


FIG. 1

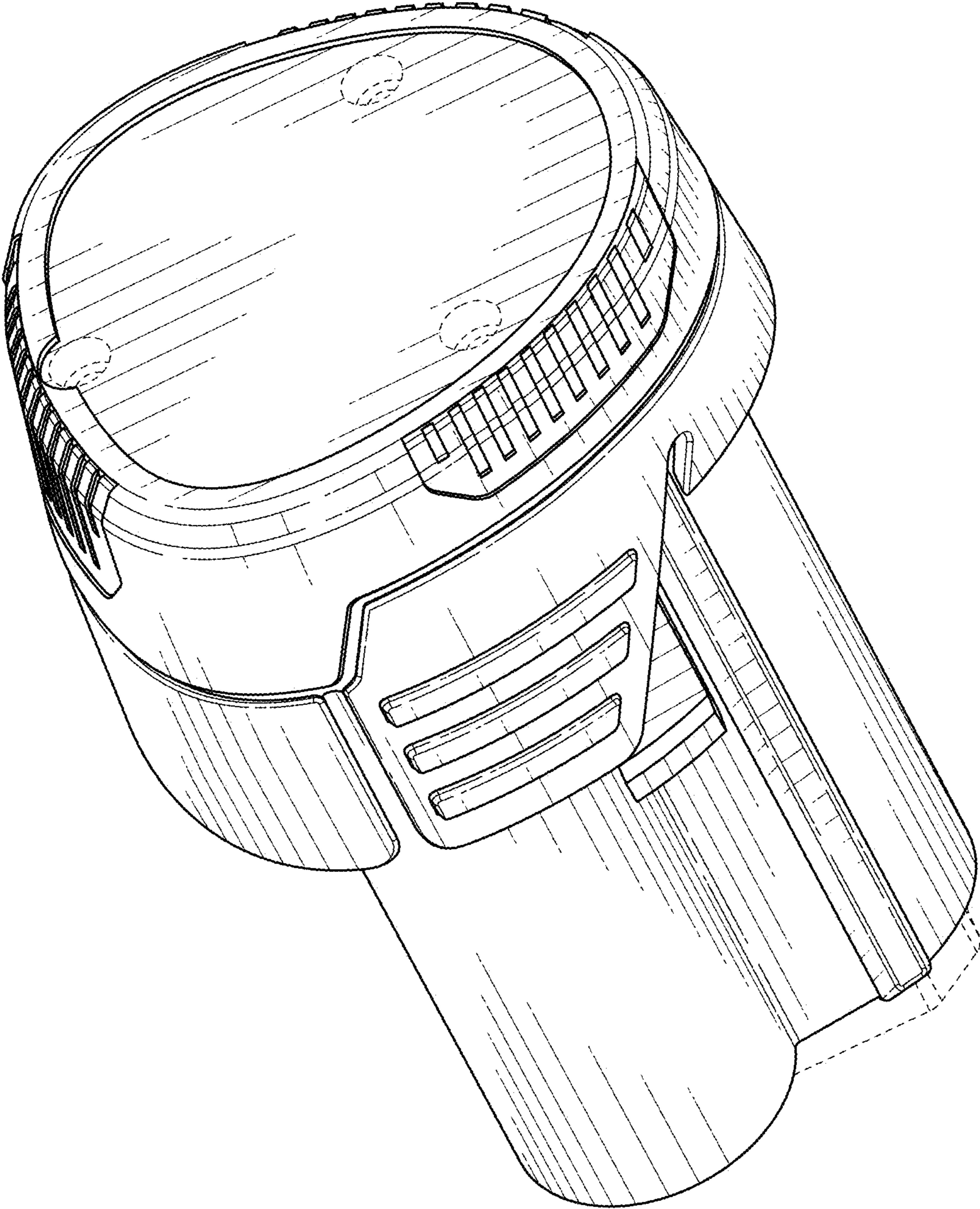


FIG. 2

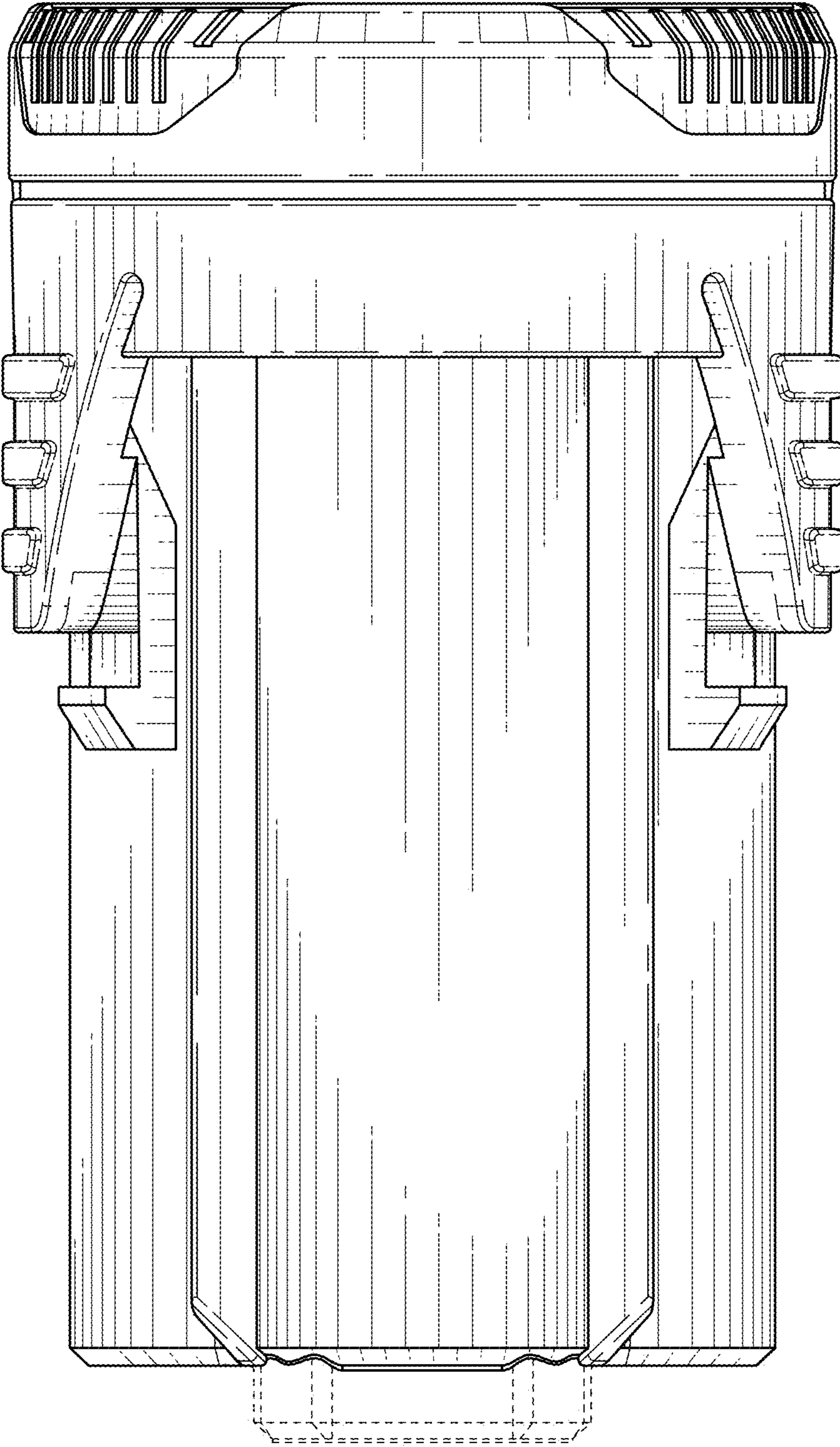


FIG. 3

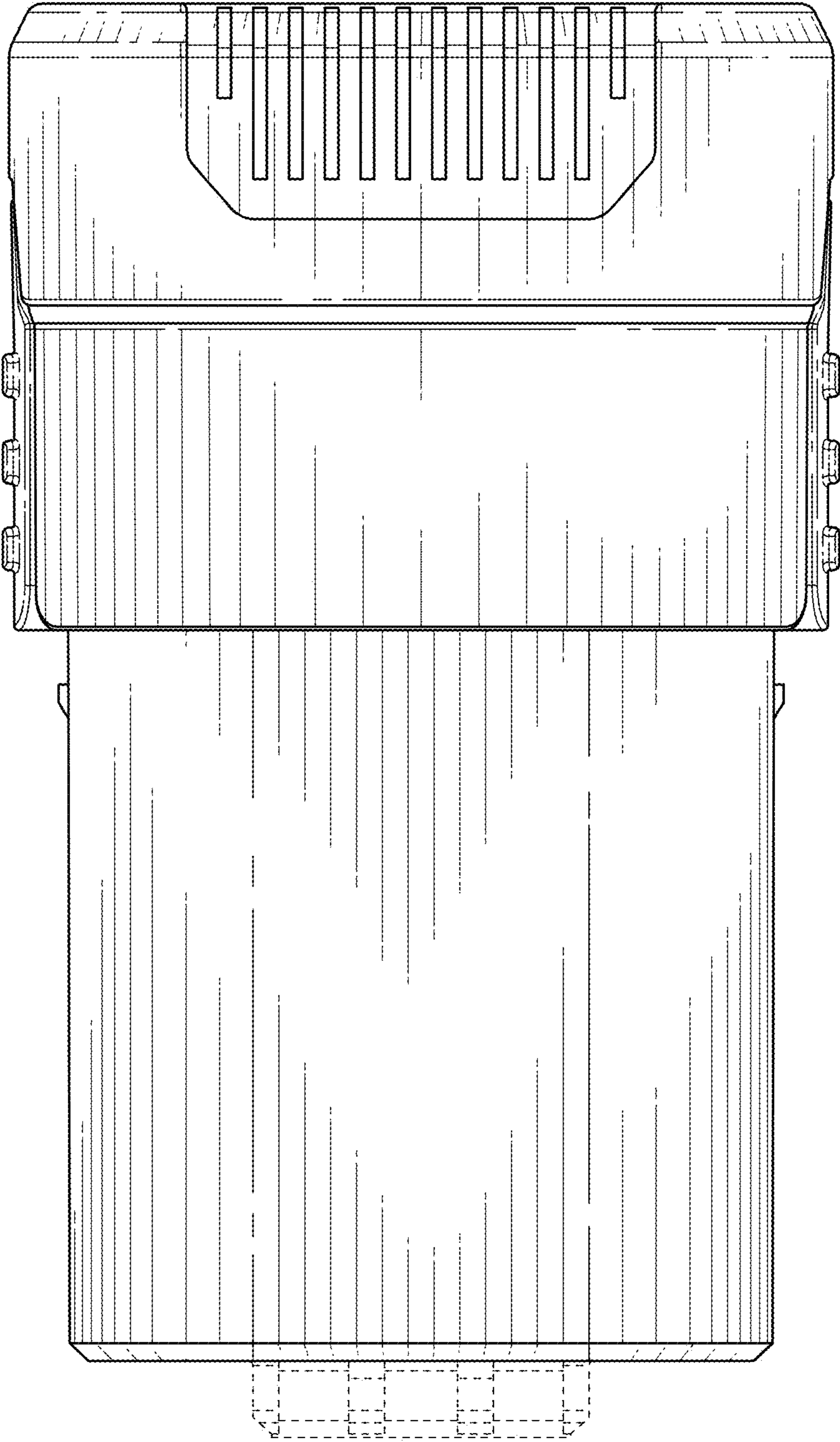


FIG. 4

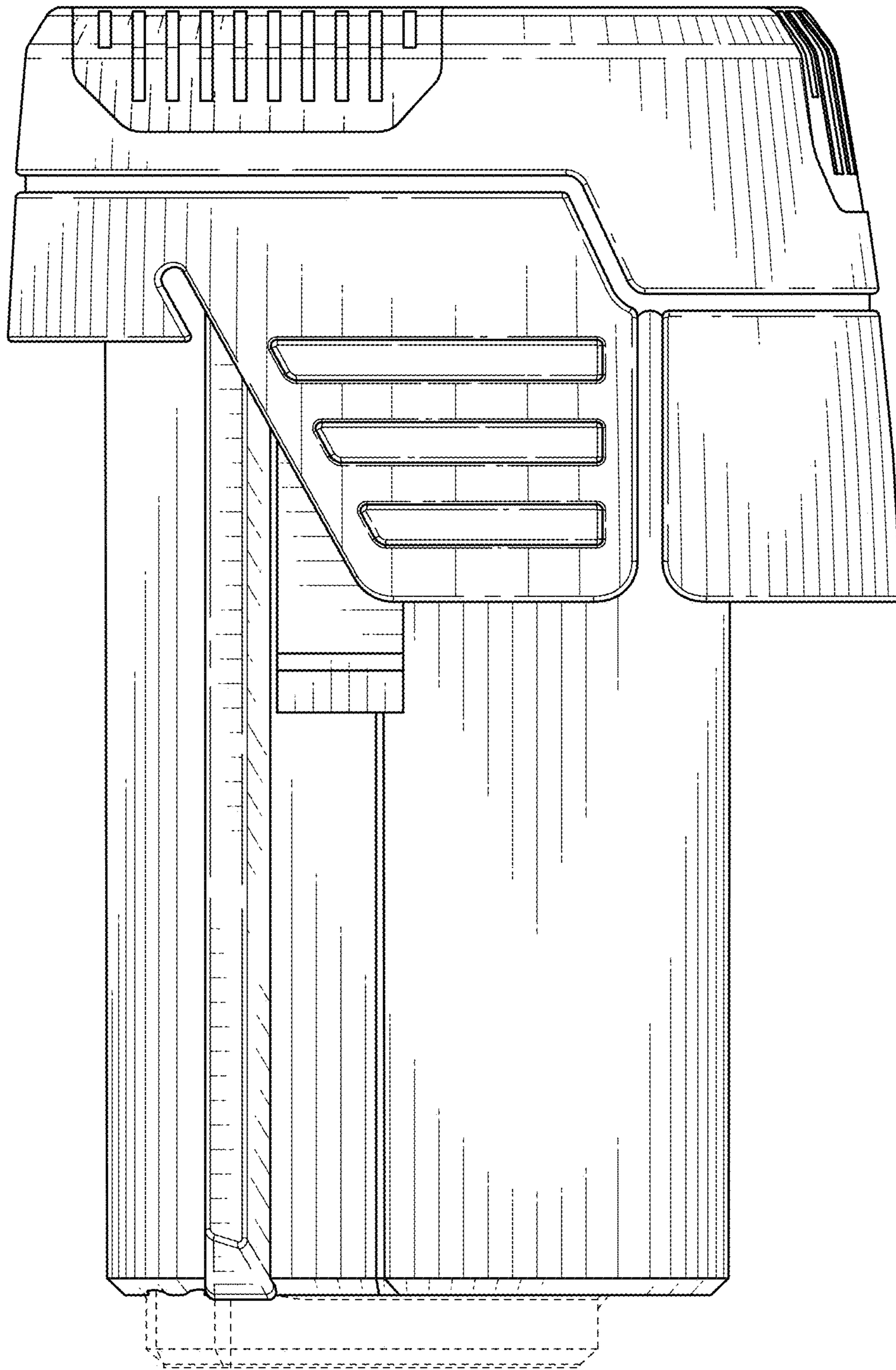


FIG. 5

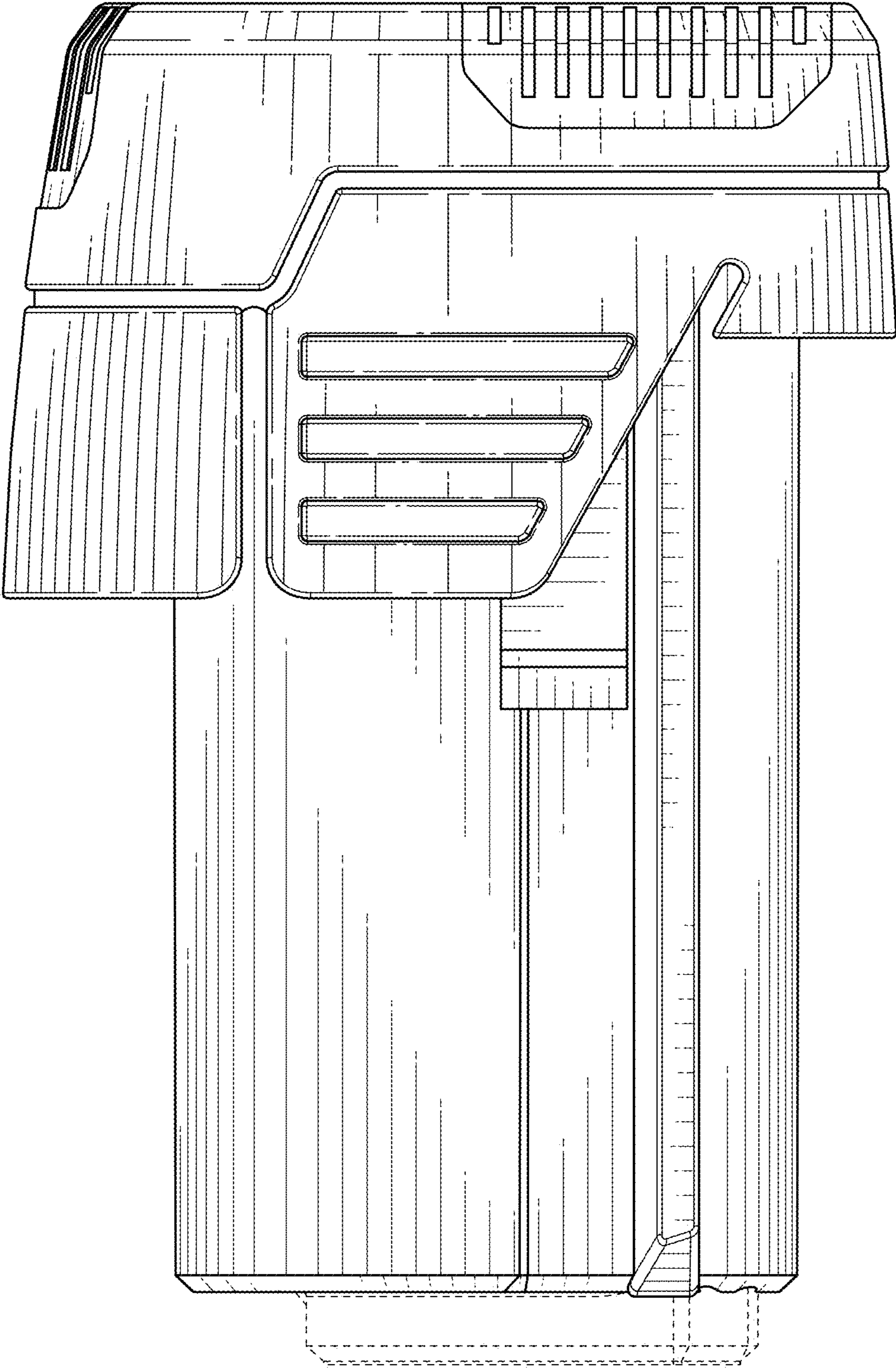


FIG. 6

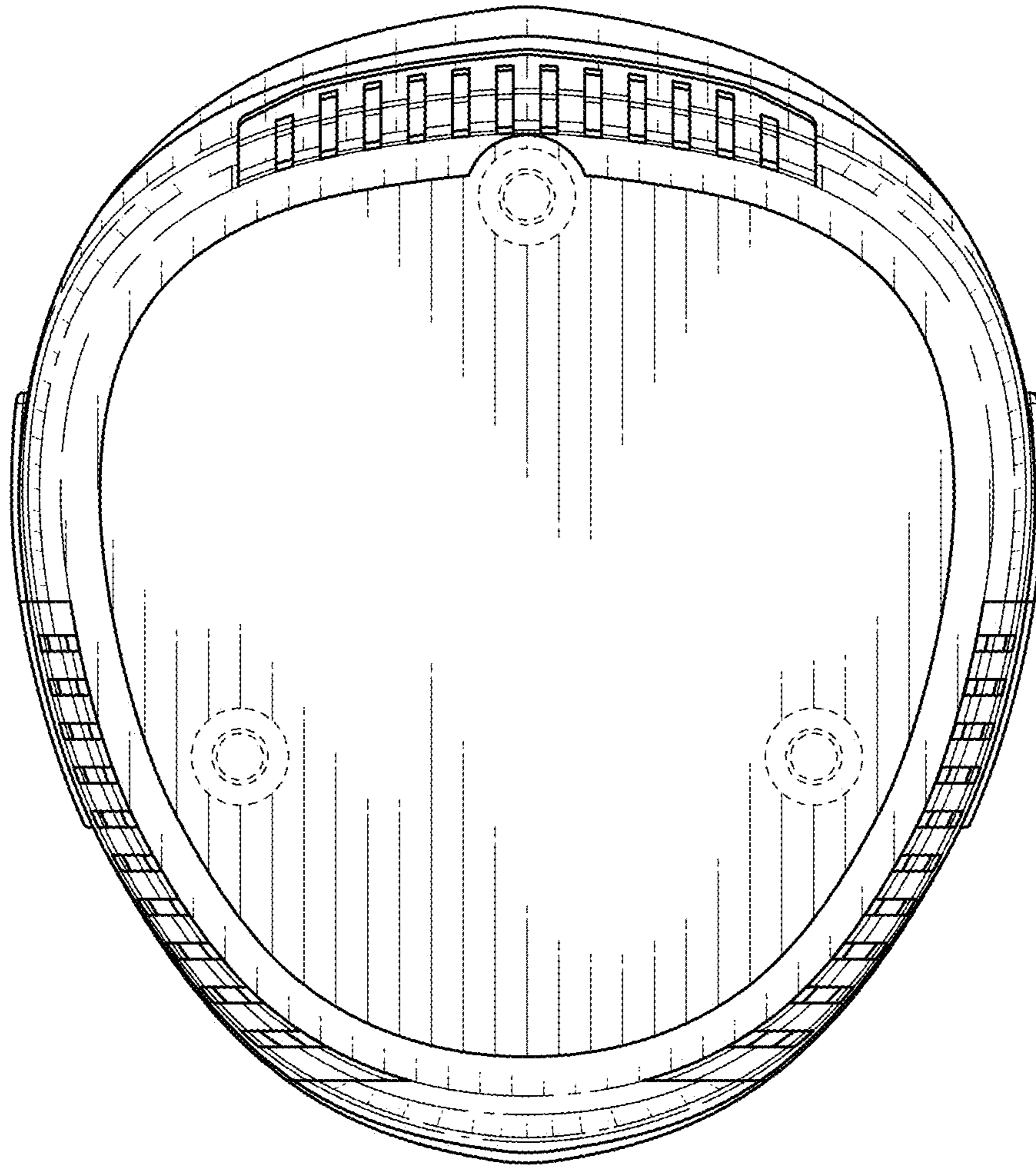


FIG. 7

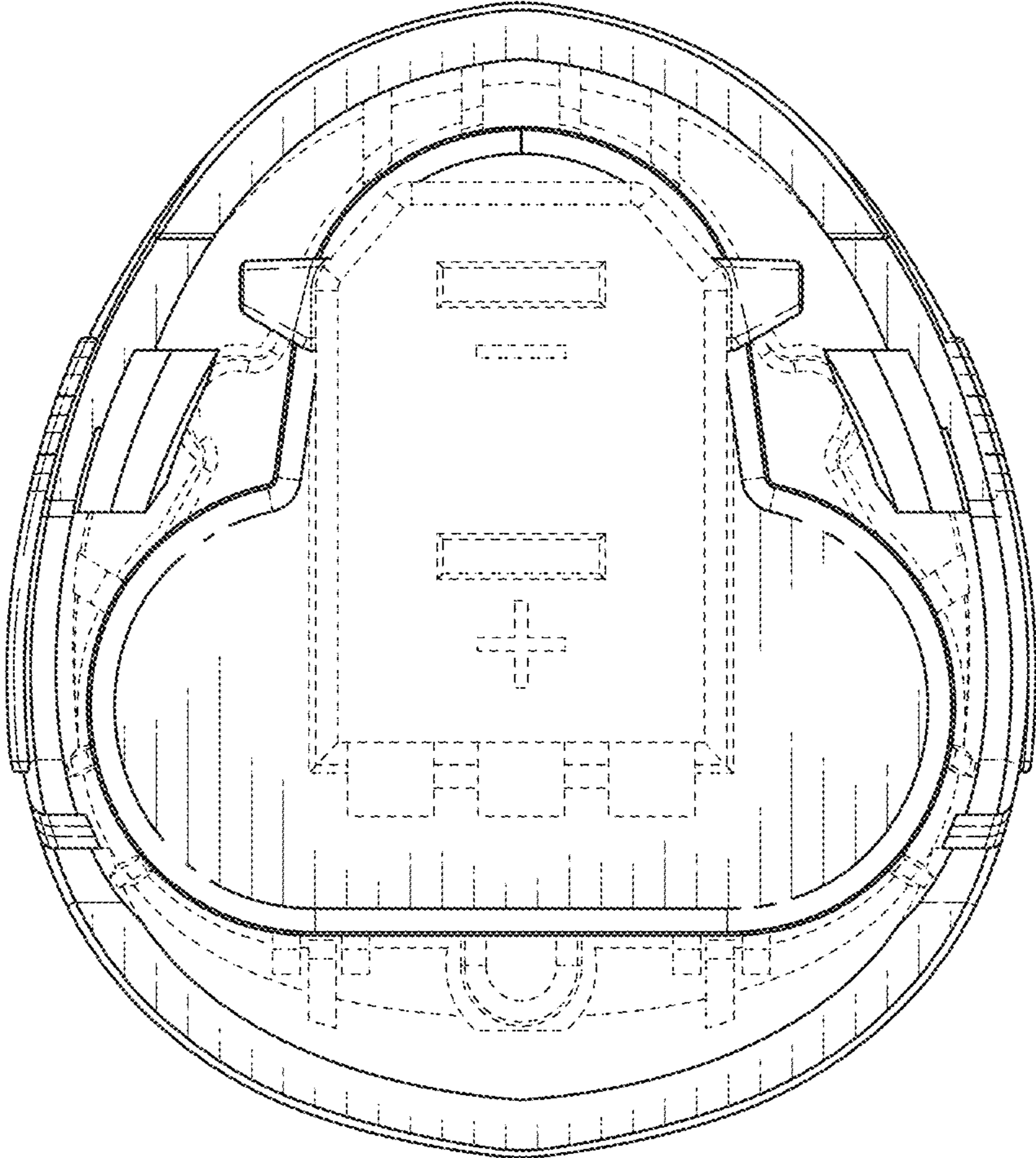


FIG. 8