



US00D964264S

(12) **United States Design Patent** (10) **Patent No.:** **US D964,264 S**
Sziszák et al. (45) **Date of Patent:** **** Sep. 20, 2022**

(54) **PHOTOVOLTAIC MODULE**

(56) **References Cited**

(71) Applicant: **Innovatív Térburkolatfejlesztő Kft.**,
Hajdúnánás (HU)
(72) Inventors: **Imre Sziszák**, Hajdúdorog (HU);
Miklós Ilyés, Hajdúnánás (HU)
(73) Assignee: **INNOVATIV**
TERBURKOLATFEJLESZTO KFT.,
Hajdunanas (HU)

U.S. PATENT DOCUMENTS

| | | | | | | |
|--------------|----|---|---------|----------|-------|----------------------|
| D391,921 | S | * | 3/1998 | Zimmer | | D13/102 |
| D484,095 | S | * | 12/2003 | Stacey | | D13/110 |
| D487,884 | S | * | 3/2004 | Peress | | D13/102 |
| D634,704 | S | * | 3/2011 | Tieleman | | D13/102 |
| D715,731 | S | * | 10/2014 | Nook | | D13/102 |
| D719,909 | S | * | 12/2014 | Iwasaki | | D13/102 |
| D748,573 | S | * | 2/2016 | Becker | | D13/102 |
| 10,135,292 | B2 | * | 11/2018 | Reiman | | H02J 7/0045 |
| D902,145 | S | * | 11/2020 | Yang | | D13/102 |
| 2010/0109599 | A1 | * | 5/2010 | Lin | | H02J 7/35 320/101 |

(**) Term: **15 Years**

* cited by examiner

(21) Appl. No.: **29/777,892**

Primary Examiner — Derrick E Holland

(22) Filed: **Apr. 8, 2021**

(74) *Attorney, Agent, or Firm* — Olson & Cepuritis, Ltd.;
Talivaldis Cepuritis

(51) **LOC (13) Cl.** **13-02**

(52) **U.S. Cl.**
USPC **D13/102**

(57) **CLAIM**

The ornamental design for a photovoltaic module, as shown and described.

(58) **Field of Classification Search**
USPC D13/102, 101, 103, 107, 108, 184, 199;
D26/63, 67, 68, 71, 72

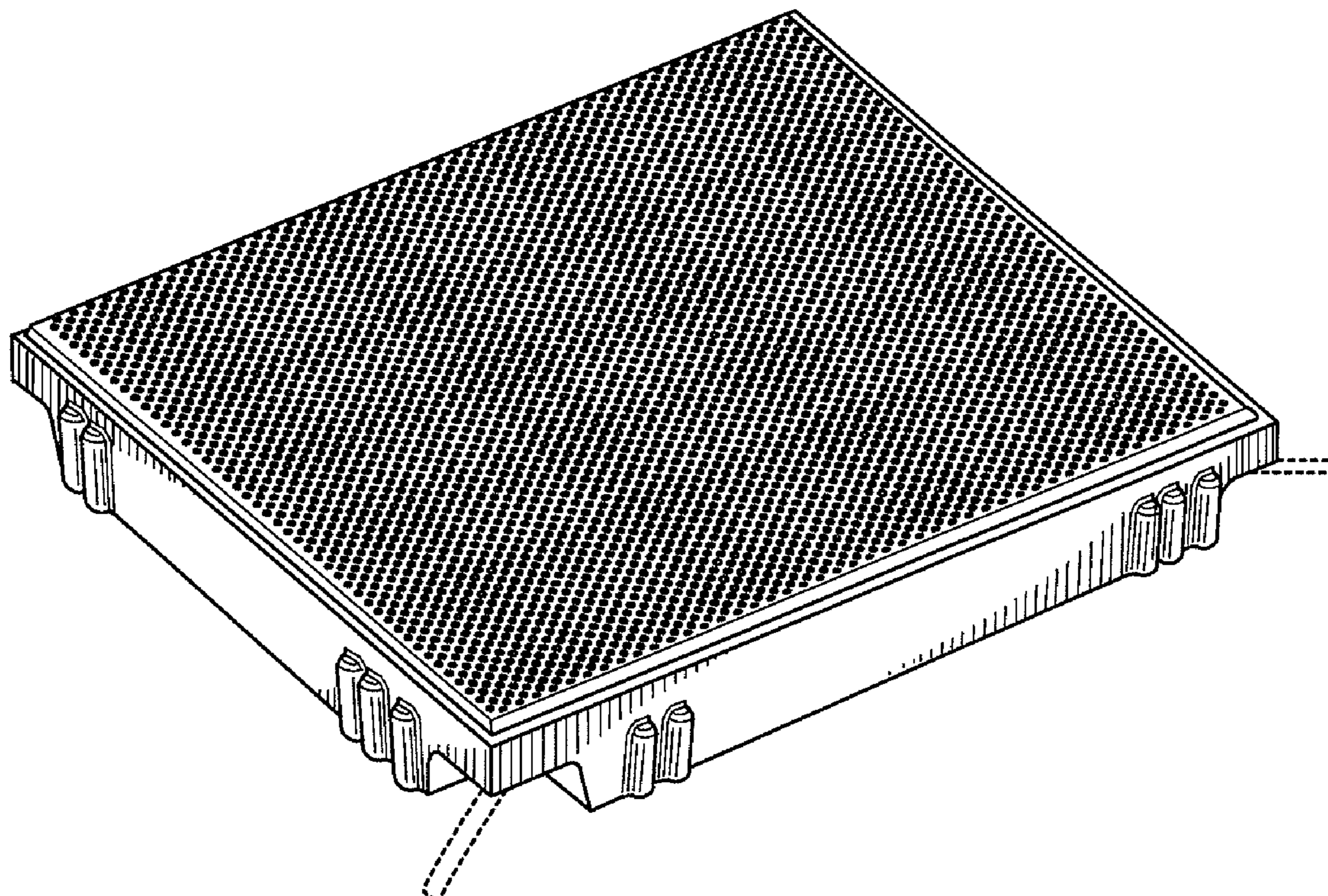
DESCRIPTION

CPC H01L 31/00; H01L 31/18; H01L 31/042;
H01L 31/045; H01L 31/048; H01L
31/052; H01L 31/054; H01L 31/0475;
H01L 31/0485; H01M 10/052; H01M
10/465; H02S 30/10; H02S 30/20; H02S
10/40; H02S 40/42; Y02E 10/50; Y02E
10/52; Y10S 136/291; Y10S 136/293;
H02J 7/355; G06F 1/1628; F21S 8/006

FIG. 1 is a perspective view of a photovoltaic module showing the new design;
FIG. 2 is a side elevational view thereof;
FIG. 3 is a bottom plan view thereof; and,
FIG. 4 is a top plan view thereof.
The broken lines shown represent the portions of the photovoltaic module that form no part of the claimed design.

See application file for complete search history.

1 Claim, 2 Drawing Sheets



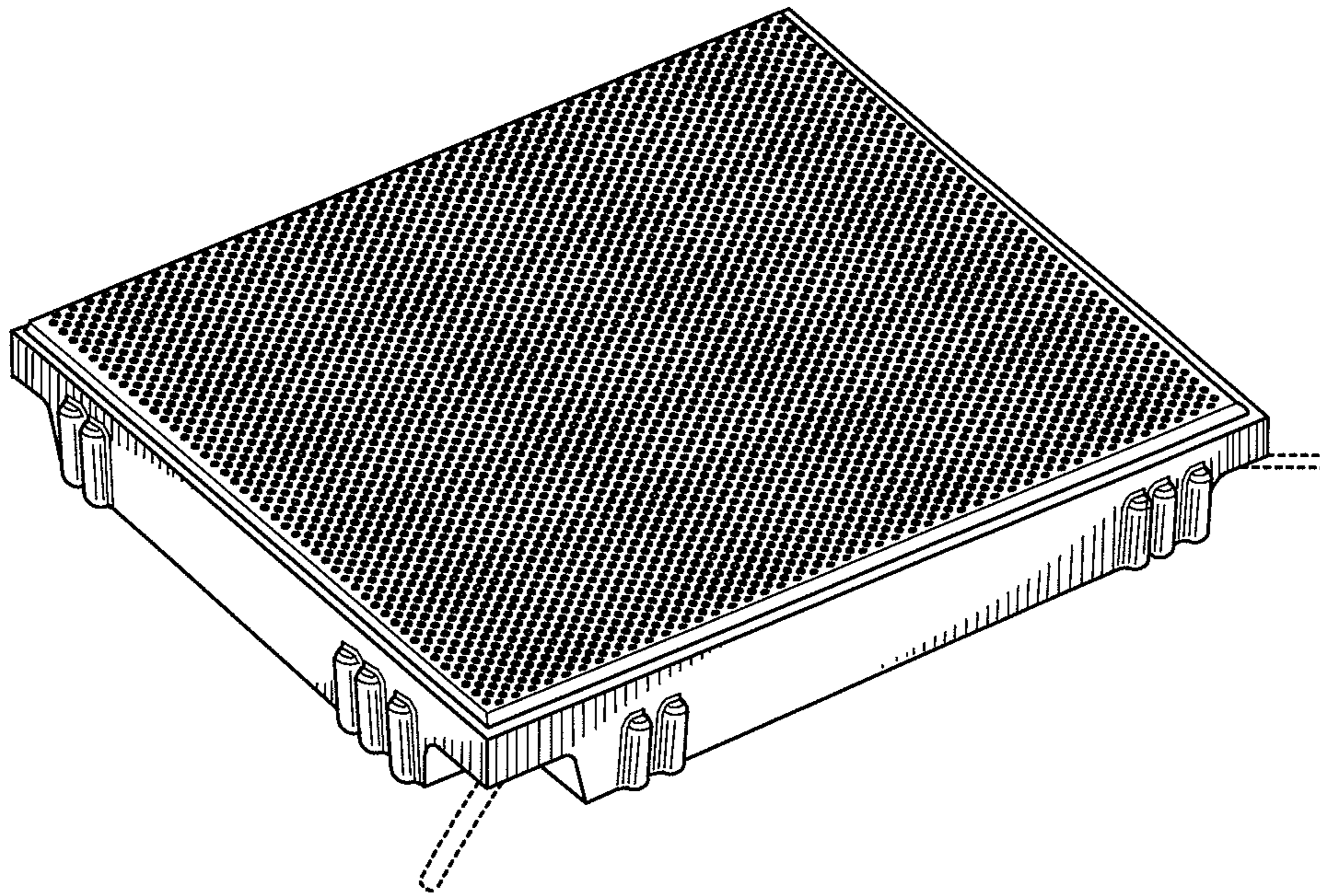


Fig. 1



Fig. 2

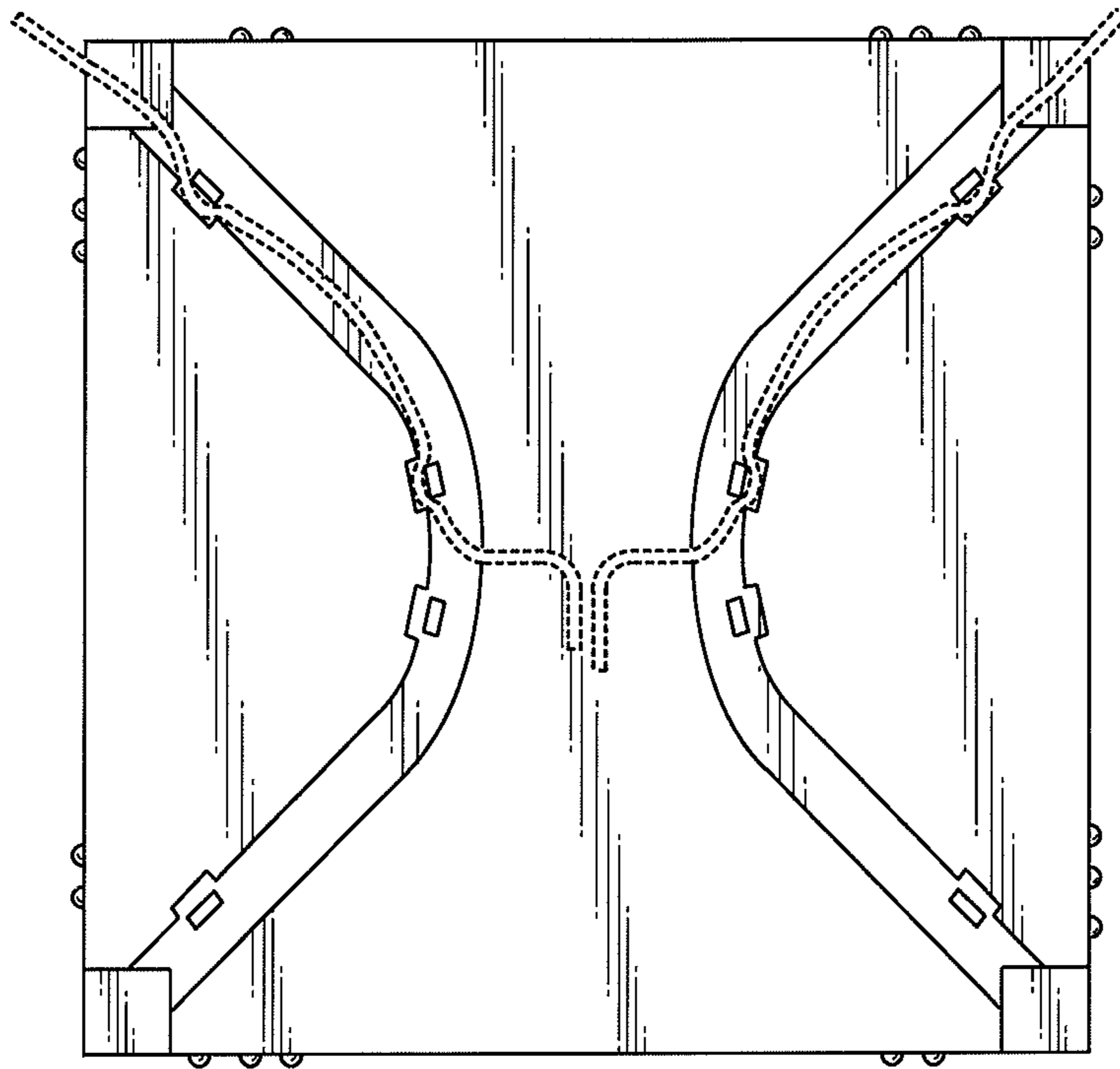


Fig. 3

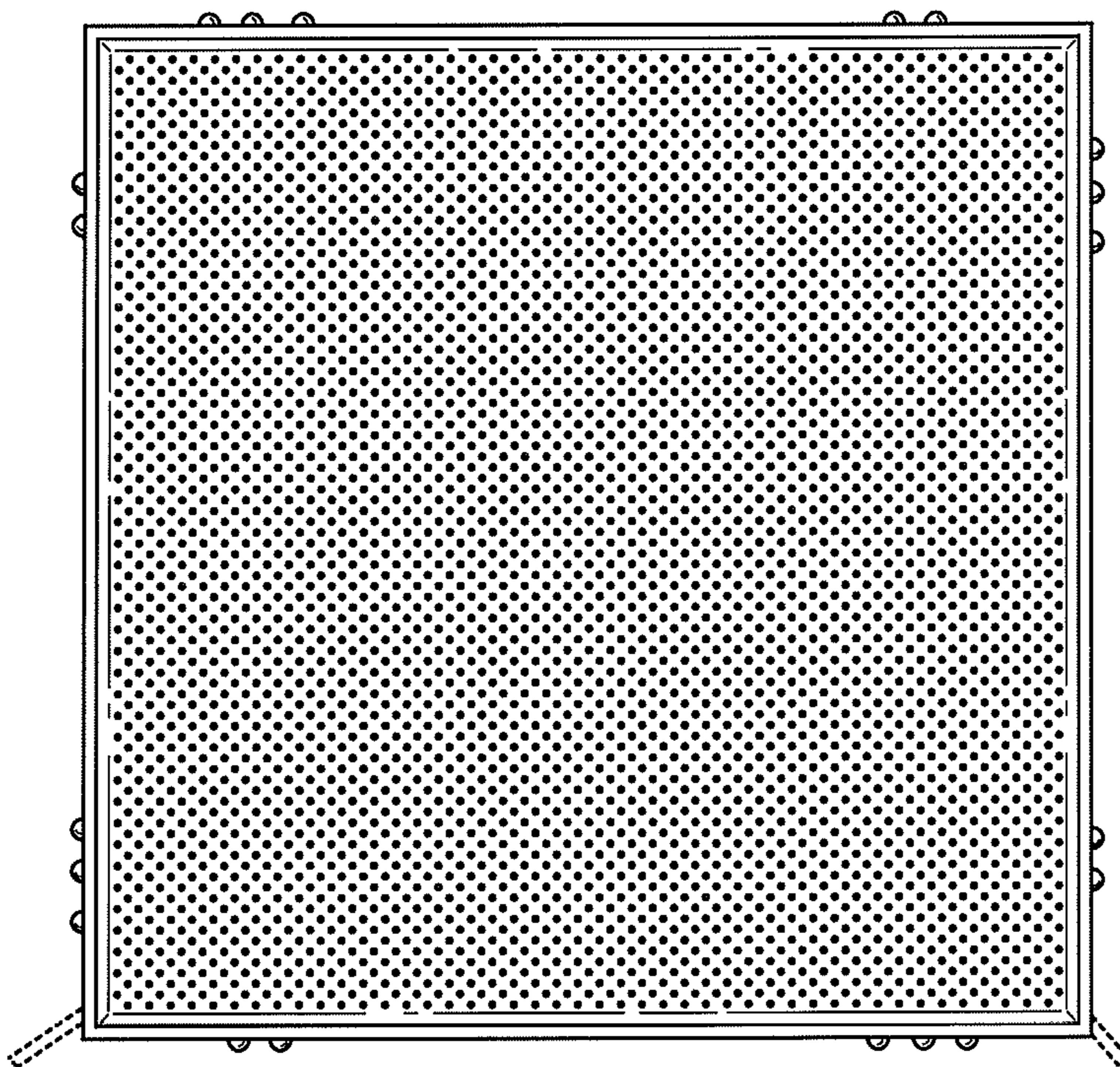


Fig. 4