

US00D964263S

(12) **United States Design Patent** (10) **Patent No.:** **US D964,263 S**
Sziszák et al. (45) **Date of Patent:** **** Sep. 20, 2022**

(54) **SOLAR PANEL**

(56) **References Cited**

(71) Applicant: **Innovatív Térburkolatfejlesztő Kft.**,
Hajdúnánás (HU)

U.S. PATENT DOCUMENTS

(72) Inventors: **Imre Sziszák**, Hajdúdorog (HU);
Miklós Ilyés, Hajdúnánás (HU)

D391,921	S	*	3/1998	Zimmer	D13/102
D484,095	S	*	12/2003	Stacey	D13/110
D487,884	S	*	3/2004	Peress	D13/102
D634,704	S	*	3/2011	Tieleman	D13/102
D715,731	S	*	10/2014	Nook	D13/102
D719,909	S	*	12/2014	Iwasaki	D13/102
D748,573	S	*	2/2016	Becker	D13/102
10,135,292	B2	*	11/2018	Reiman	H02J 7/0045
D902,145	S	*	11/2020	Yang	D13/102
2010/0109599	A1	*	5/2010	Lin	H02J 7/35 320/101

(73) Assignee: **INNOVATIV**
TERBURKOLATFEJLESZTO KFT,
Hajdunanas (HU)

(**) Term: **15 Years**

* cited by examiner

(21) Appl. No.: **29/777,890**

Primary Examiner — Derrick E Holland

(22) Filed: **Apr. 8, 2021**

(74) *Attorney, Agent, or Firm* — Olson & Cepuritis;
Talivaldis Cepuritis

(51) **LOC (13) Cl.** **13-02**

(52) **U.S. Cl.**
USPC **D13/102**

(57) **CLAIM**

The ornamental design for a solar panel, as shown and described.

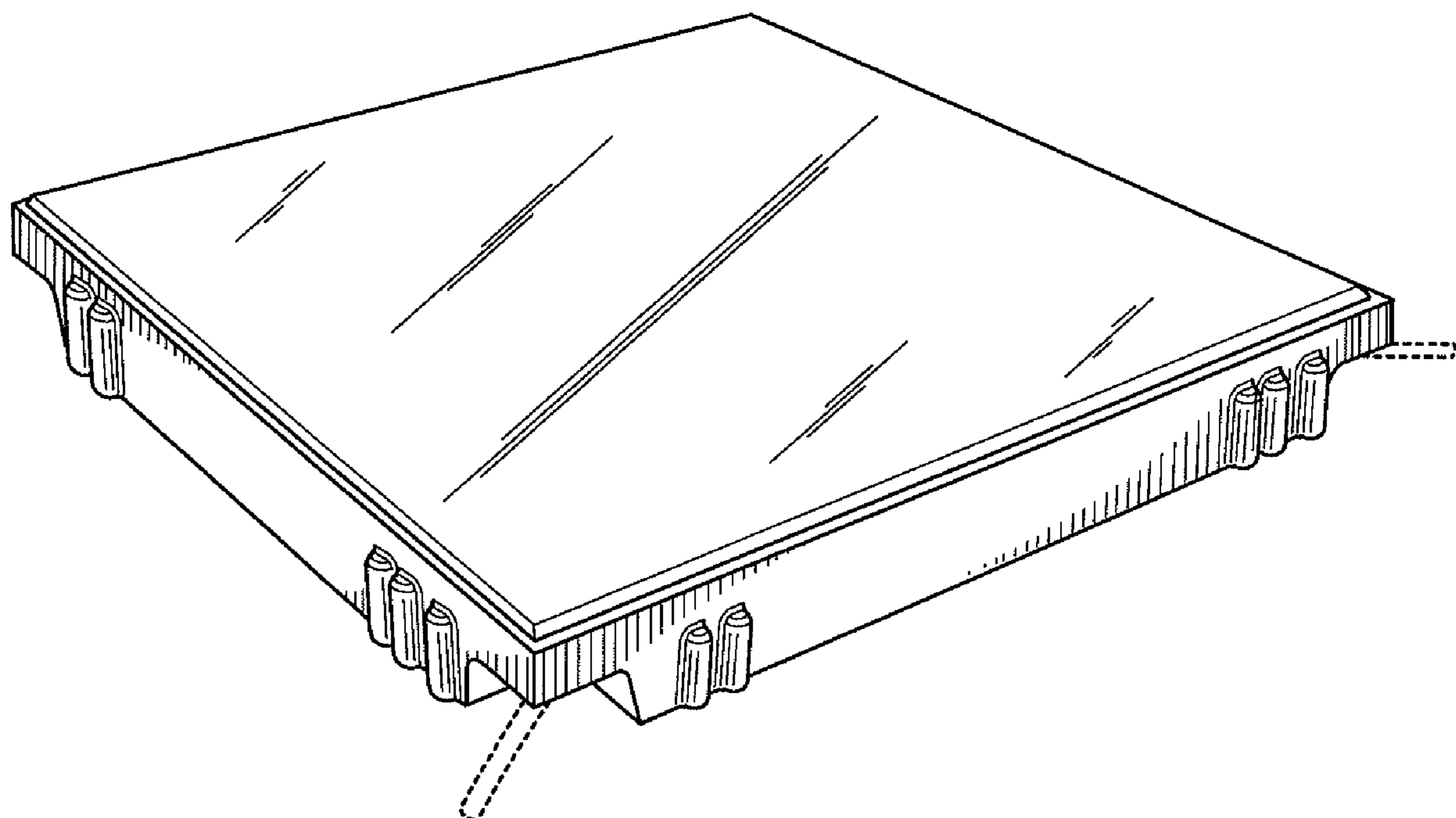
(58) **Field of Classification Search**

DESCRIPTION

USPC D13/102, 101, 103, 107, 108, 184, 199;
D26/63, 67, 68, 71, 72
CPC H01L 31/00; H01L 31/18; H01L 31/042;
H01L 31/045; H01L 31/048; H01L
31/052; H01L 31/054; H01L 31/0475;
H01L 31/0485; H01M 10/052; H01M
10/465; H02S 30/10; H02S 30/20; H02S
10/40; H02S 40/42; Y02E 10/50; Y02E
10/52; Y10S 136/291; Y10S 136/293;
H02J 7/355; G06F 1/1628; F21S 8/006
See application file for complete search history.

FIG. 1 is a perspective view of a solar panel showing the new design;
FIG. 2 is a side elevational view thereof;
FIG. 3 is a bottom plan view thereof; and,
FIG. 4 is a top plan view thereof.
The broken lines shown represent the portions of the solar panel that form no part of the claimed design.

1 Claim, 2 Drawing Sheets



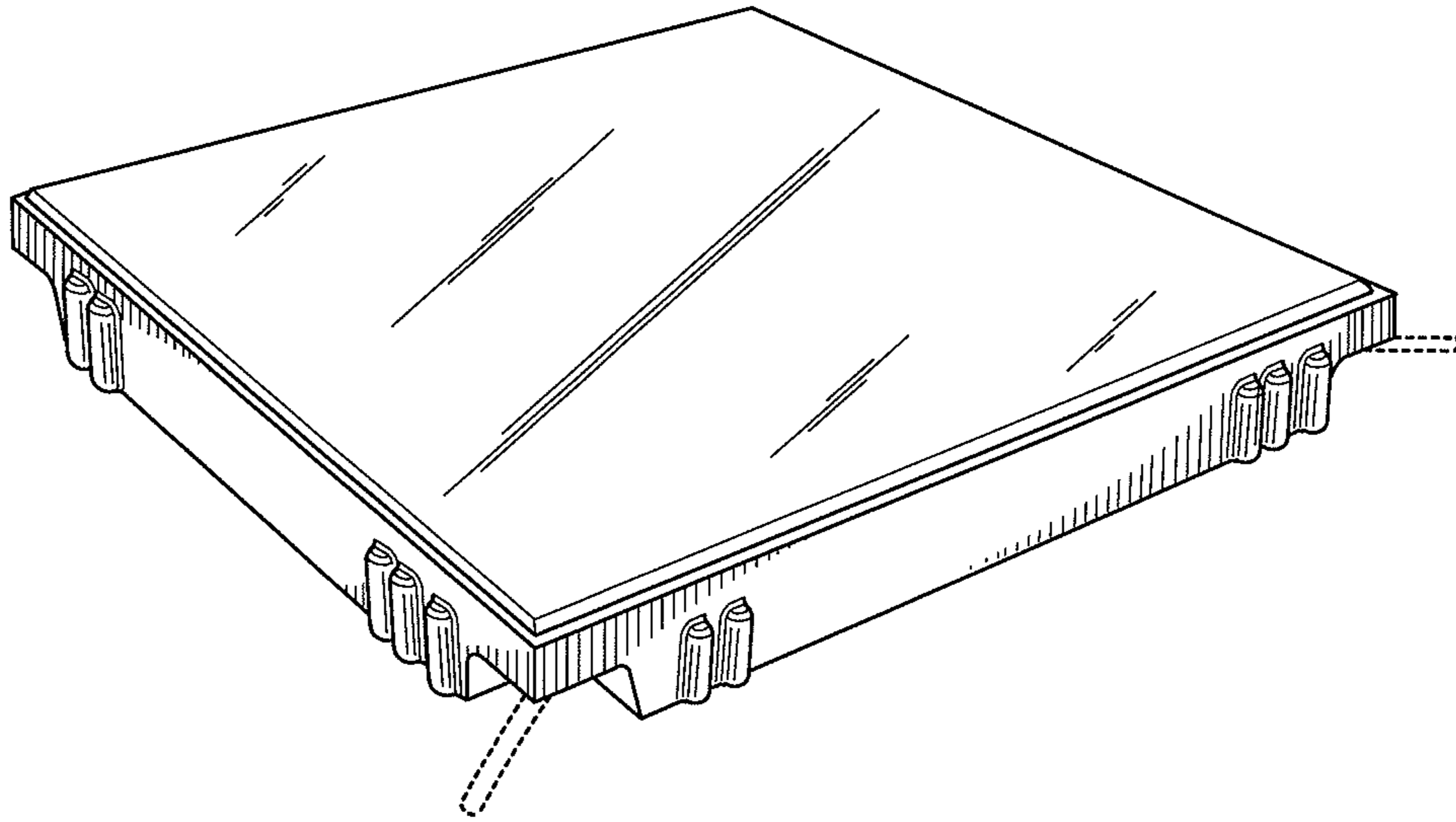


Fig. 1

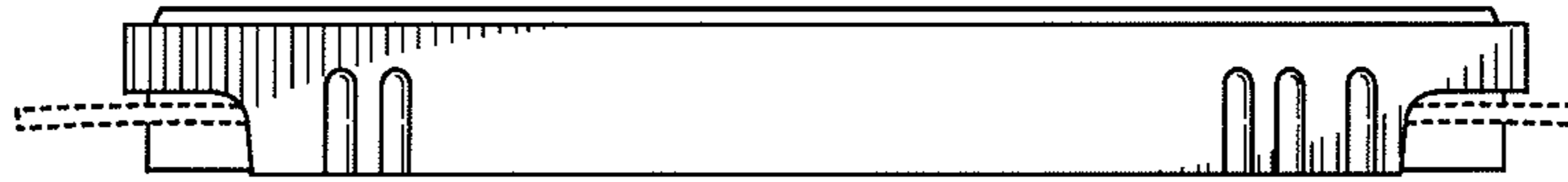


Fig. 2

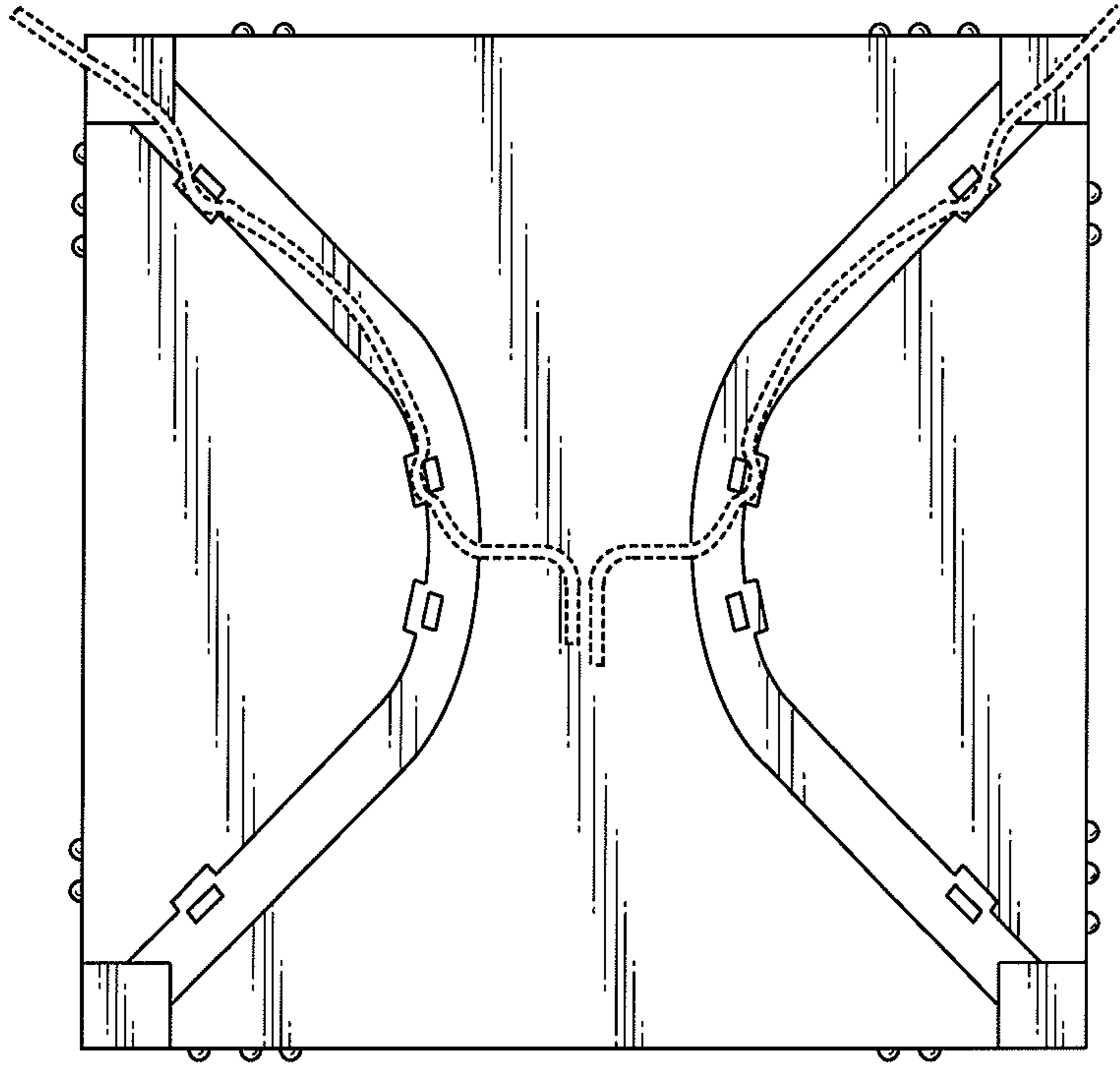


Fig. 3

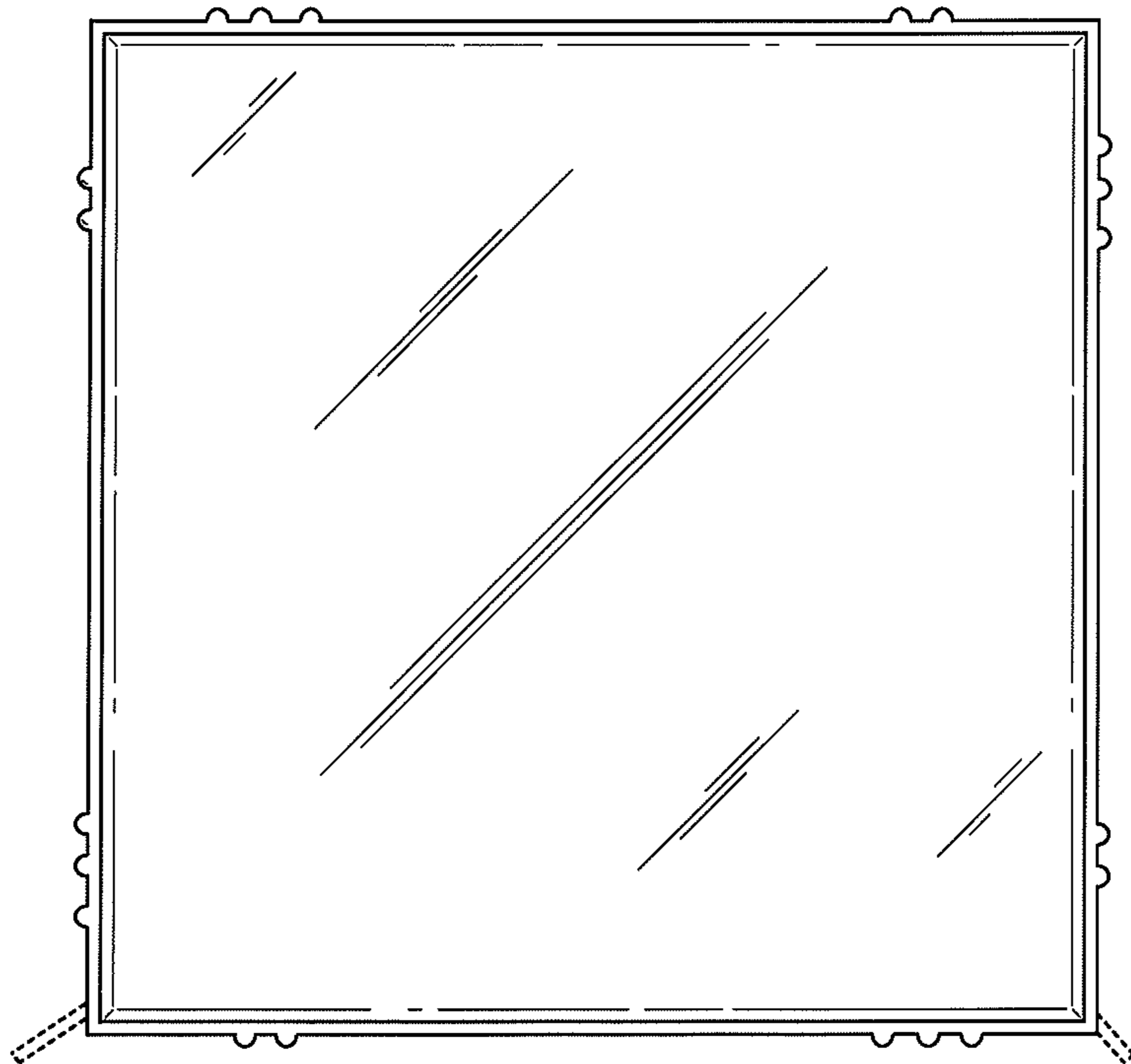


Fig. 4