

US00D964259S

(12) **United States Design Patent**  
**Tian**

(10) **Patent No.:** **US D964,259 S**

(45) **Date of Patent:** **\*\* Sep. 20, 2022**

(54) **AUTOMOTIVE INTERIOR RECEPTACLE**

(71) Applicant: **Shenzhen Zhengtu Auto Accessories Co., Ltd.**, Shenzhen (CN)

(72) Inventor: **Xin Tian**, Shenzhen (CN)

(73) Assignee: **SHENZHEN ZHENG TU AUTO ACCESSORIES CO., LTD.**, Shenzhen (CN)

(\*\*) Term: **15 Years**

(21) Appl. No.: **29/839,175**

(22) Filed: **May 18, 2022**

(51) **LOC (13) Cl.** ..... **12-16**

(52) **U.S. Cl.**  
USPC ..... **D12/425**

(58) **Field of Classification Search**  
USPC ..... D12/425, 400, 406, 415-420, 424, 426  
CPC ..... B63B 25/00; B63B 7/085; B63B 35/00;  
B63B 17/00; B60R 16/04  
See application file for complete search history.

(56) **References Cited**

**U.S. PATENT DOCUMENTS**

D496,494 S	*	9/2004	Hood	.....	D21/608
D884,578 S	*	5/2020	Guo	.....	D12/425
D899,333 S		10/2020	Shedlarski		
D912,608 S	*	3/2021	Chen	.....	D12/425

D916,647 S	*	4/2021	Chen	.....	D12/425
D922,935 S	*	6/2021	Guo	.....	D12/425
D935,381 S	*	11/2021	Chen	.....	D12/425
D940,057 S	*	1/2022	Guo	.....	D12/425
D942,366 S	*	2/2022	Liang	.....	D12/425
D943,496 S	*	2/2022	Brumby	.....	D12/425
D946,493 S	*	3/2022	Huang	.....	D12/425
D949,773 S	*	4/2022	Huang	.....	D12/425
D950,476 S	*	5/2022	Gan	.....	D12/425
D953,967 S	*	6/2022	Liu	.....	D12/425

\* cited by examiner

*Primary Examiner* — Katrina A Betton

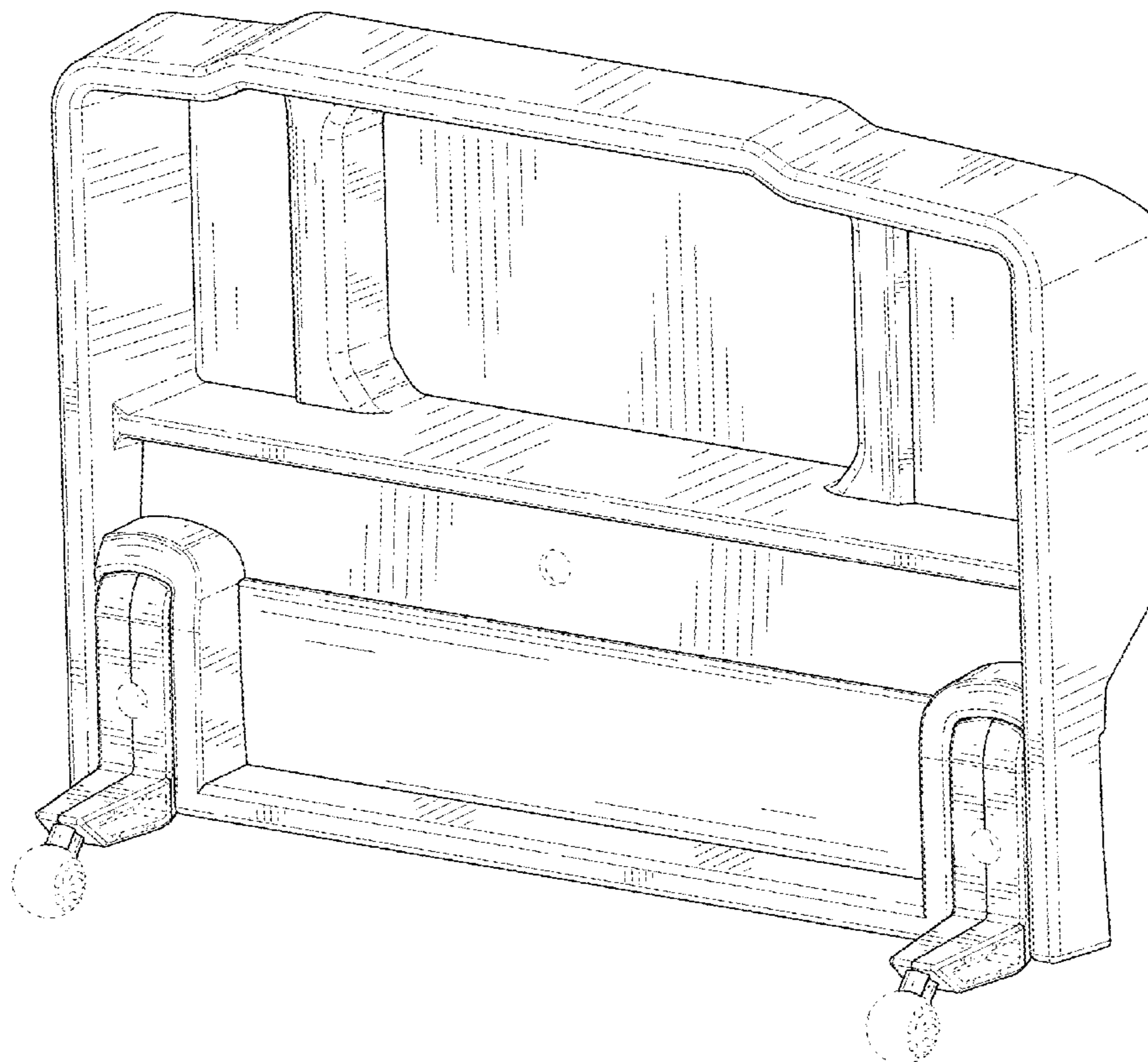
(57) **CLAIM**

The ornamental design for an automotive interior receptacle, as shown and described.

**DESCRIPTION**

FIG. 1 is a perspective view of an automotive interior receptacle showing my new design; FIG. 2 is another perspective view thereof; FIG. 3 is a front elevational view thereof; FIG. 4 is a rear elevational view thereof; FIG. 5 is a left side elevational view thereof; FIG. 6 is a right side elevational view thereof; FIG. 7 is a top plan view thereof; and, FIG. 8 is a bottom plan view thereof. The broken lines in the drawings depict portions of the automotive interior receptacle that form no part of the claimed design.

**1 Claim, 8 Drawing Sheets**



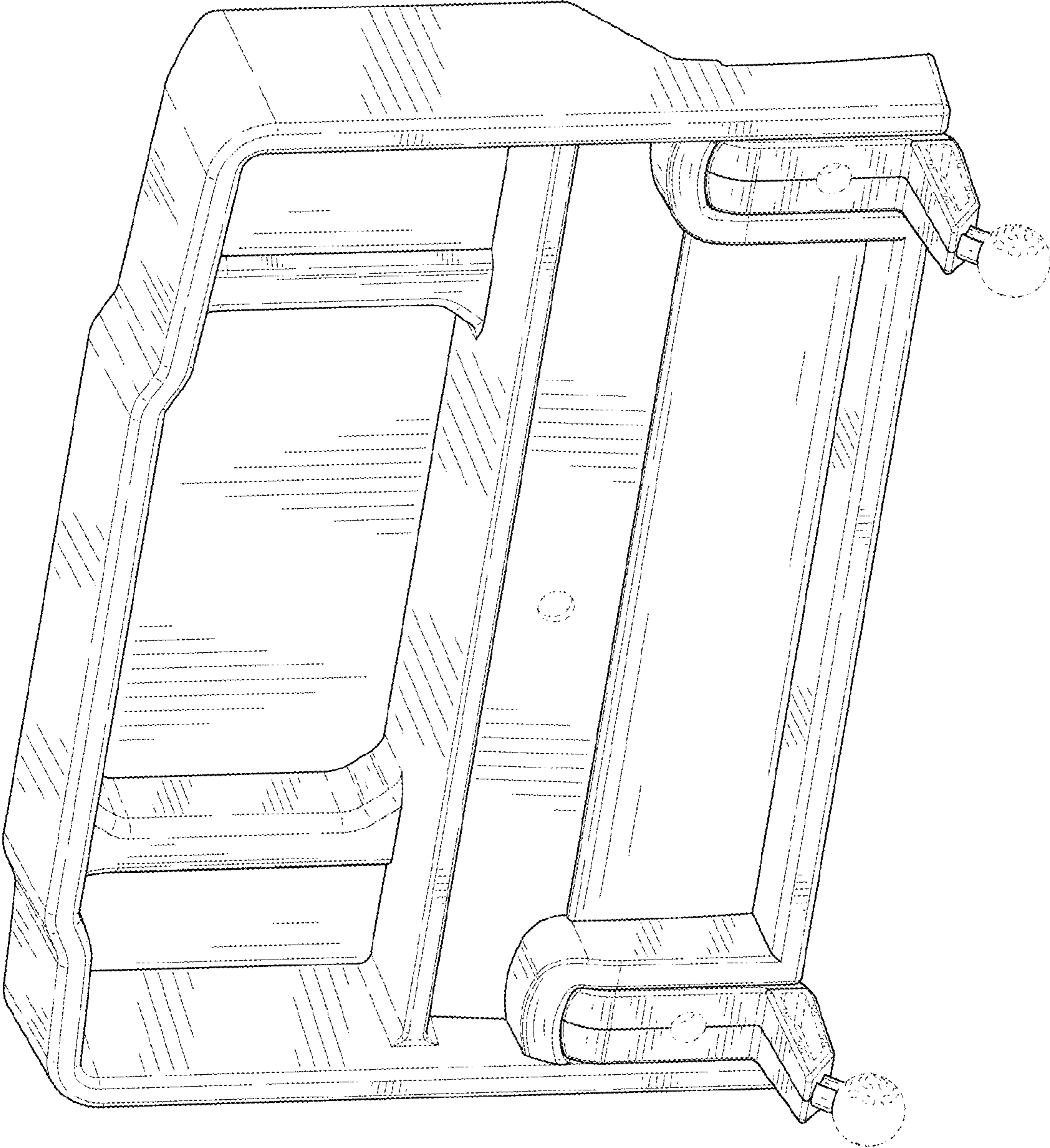


FIG. 1

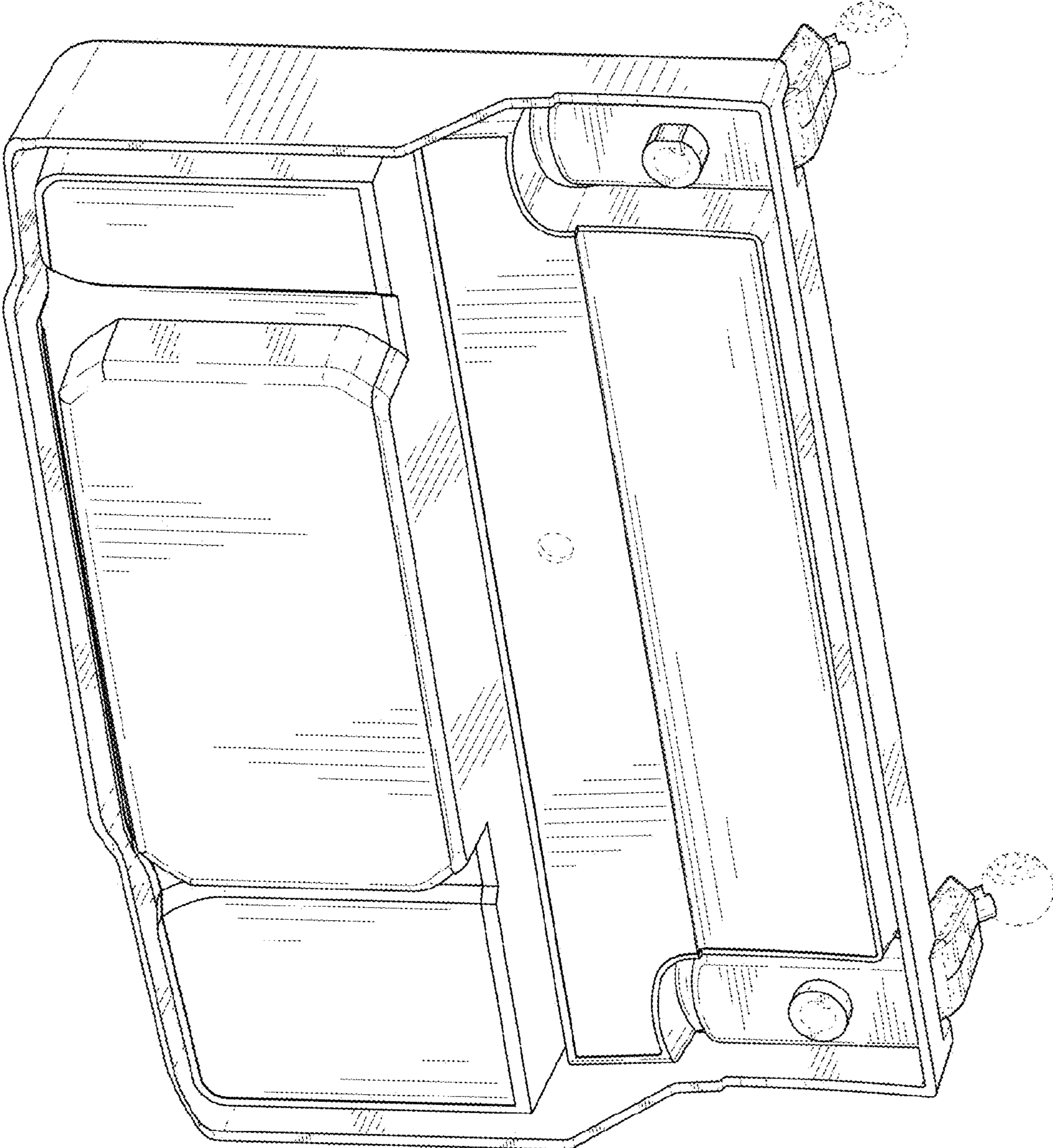


FIG. 2



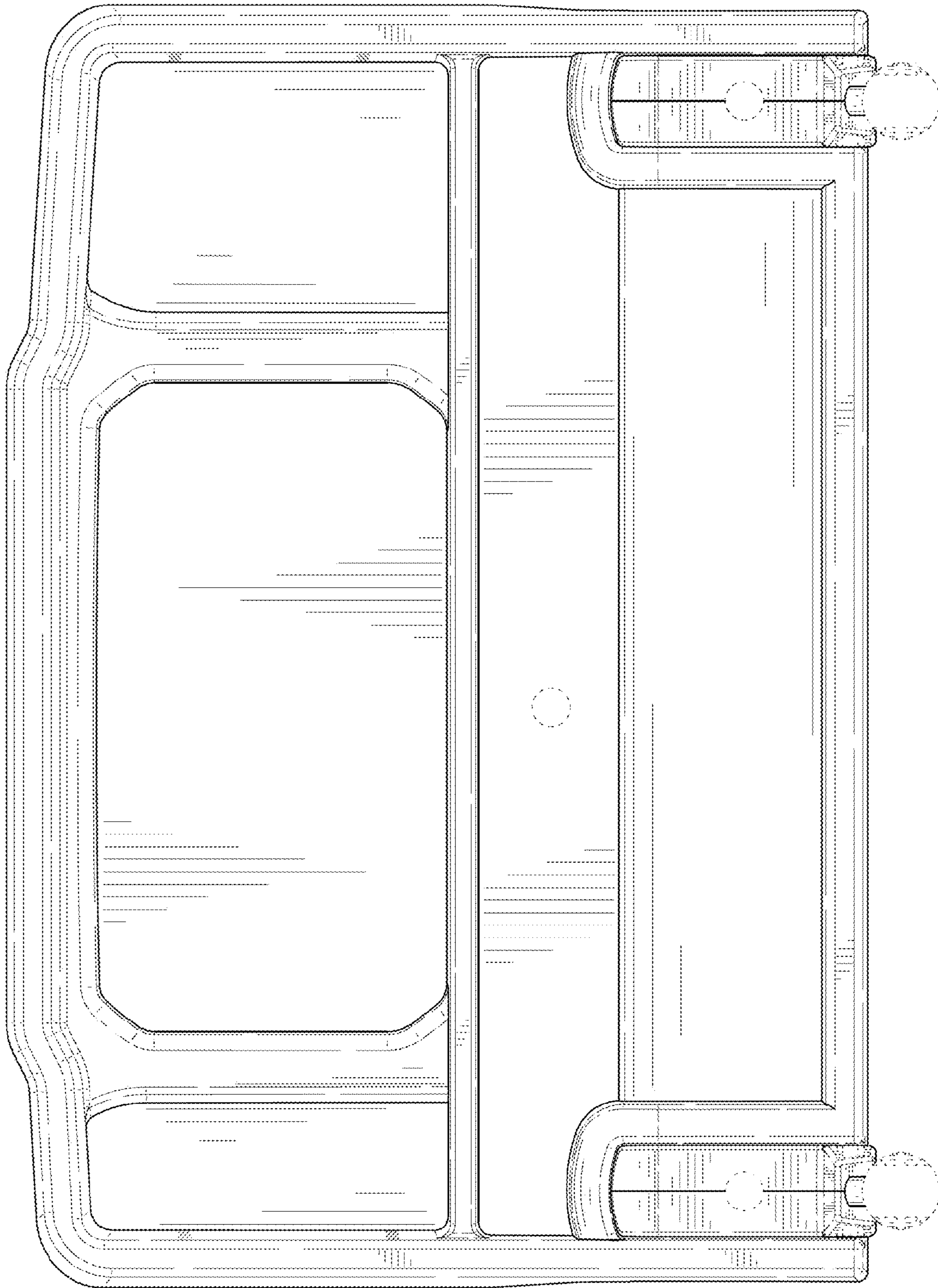


FIG. 3

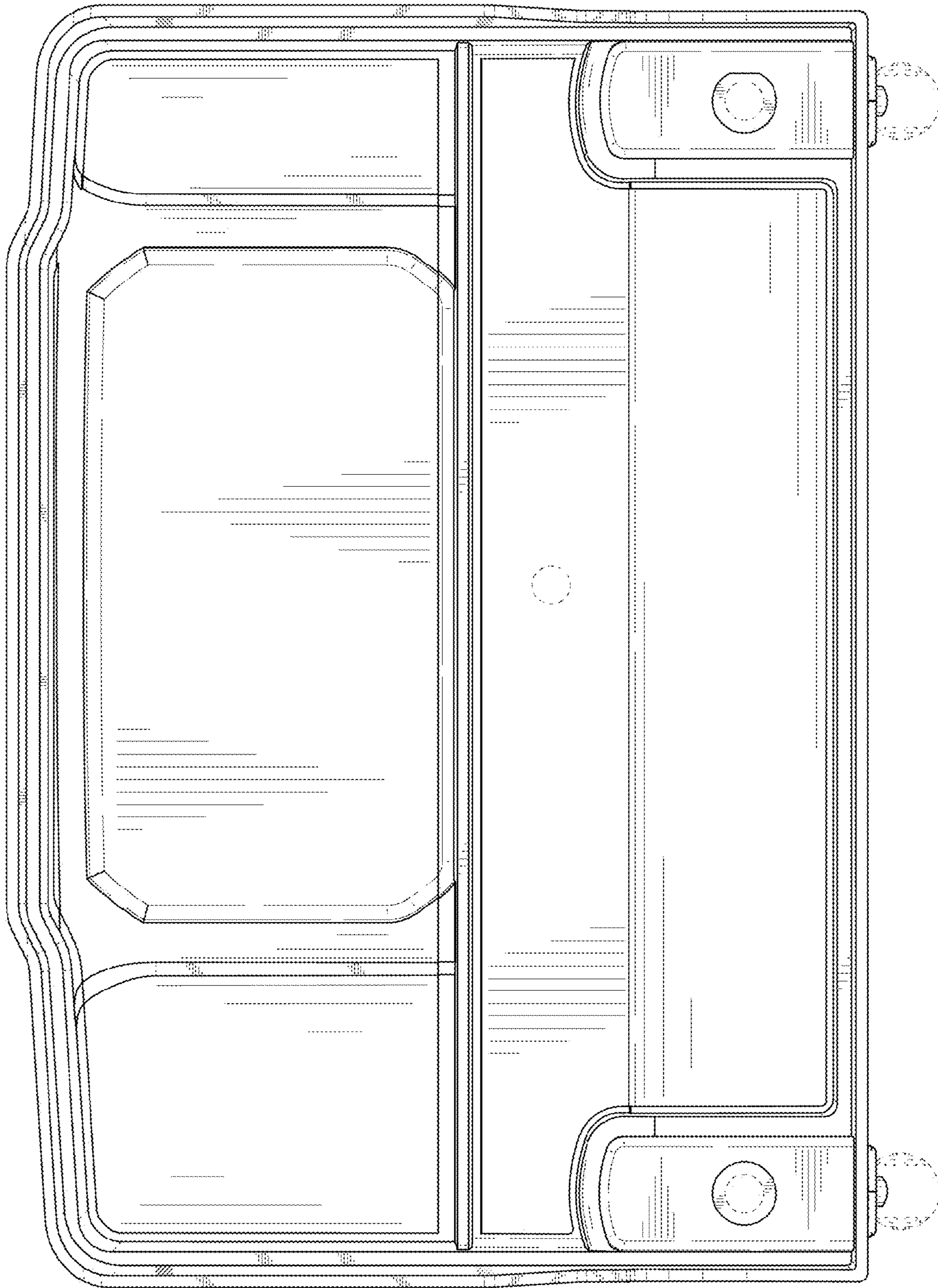


FIG. 4

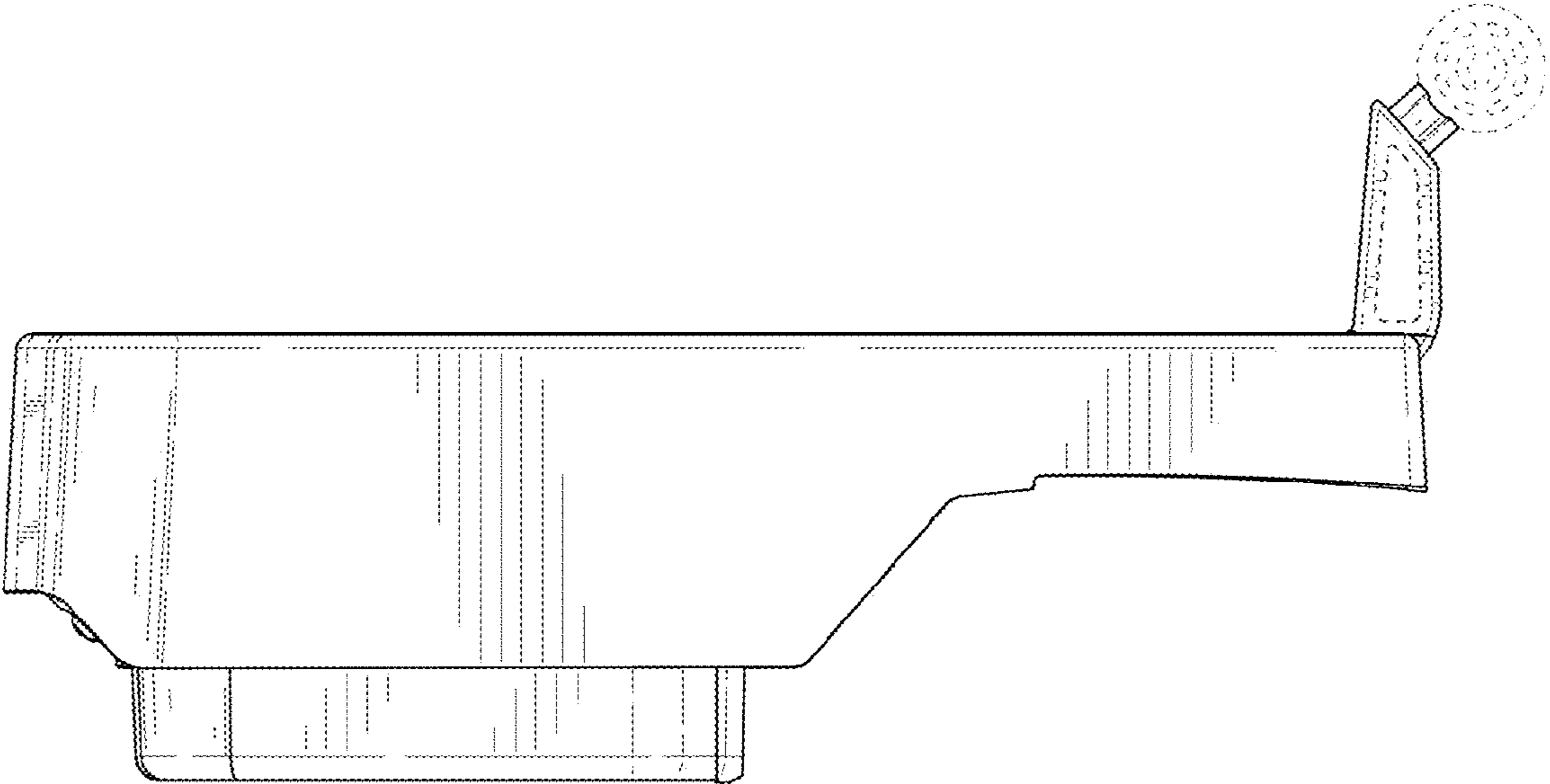


FIG. 5

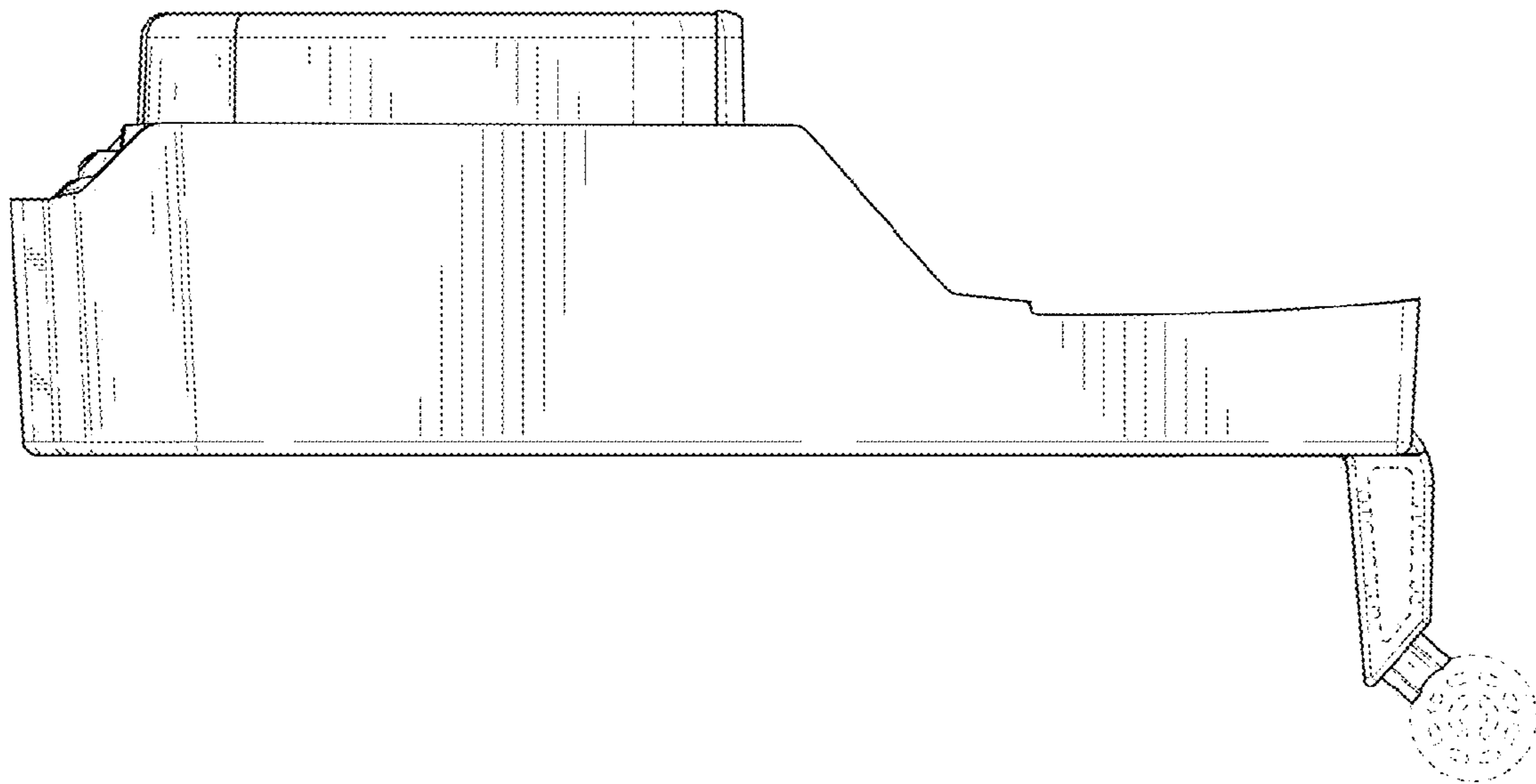


FIG. 6

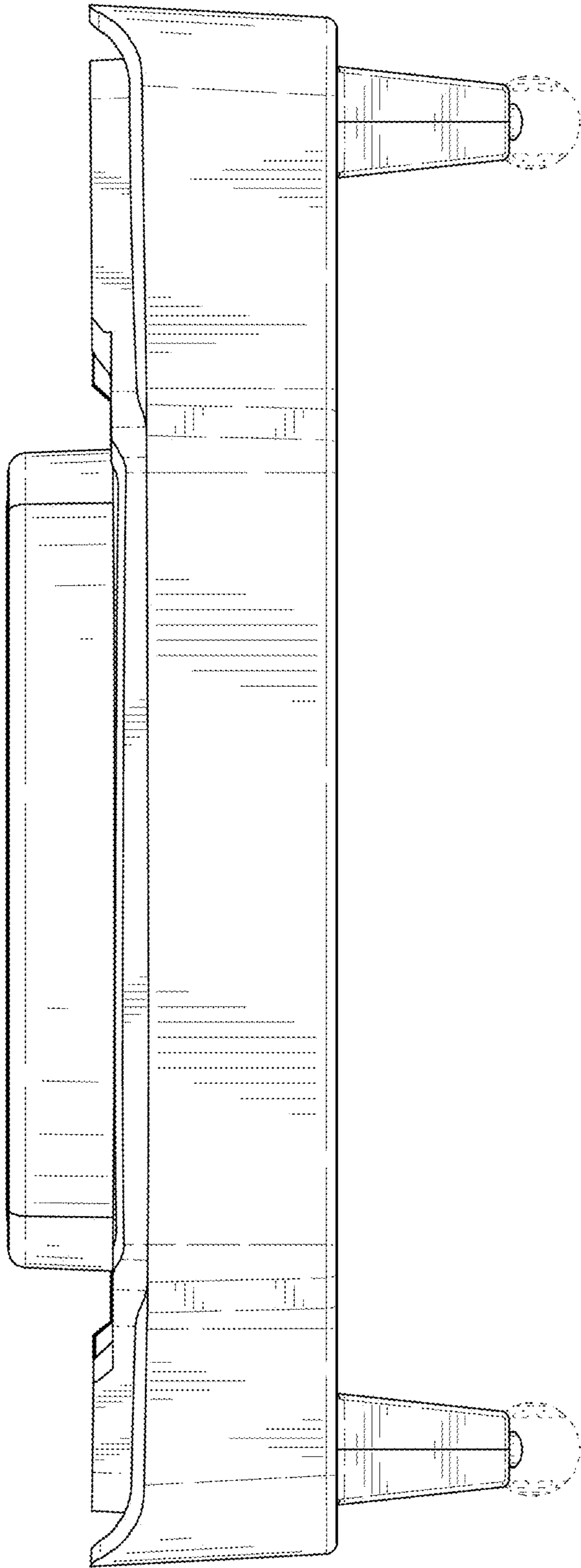


FIG. 7



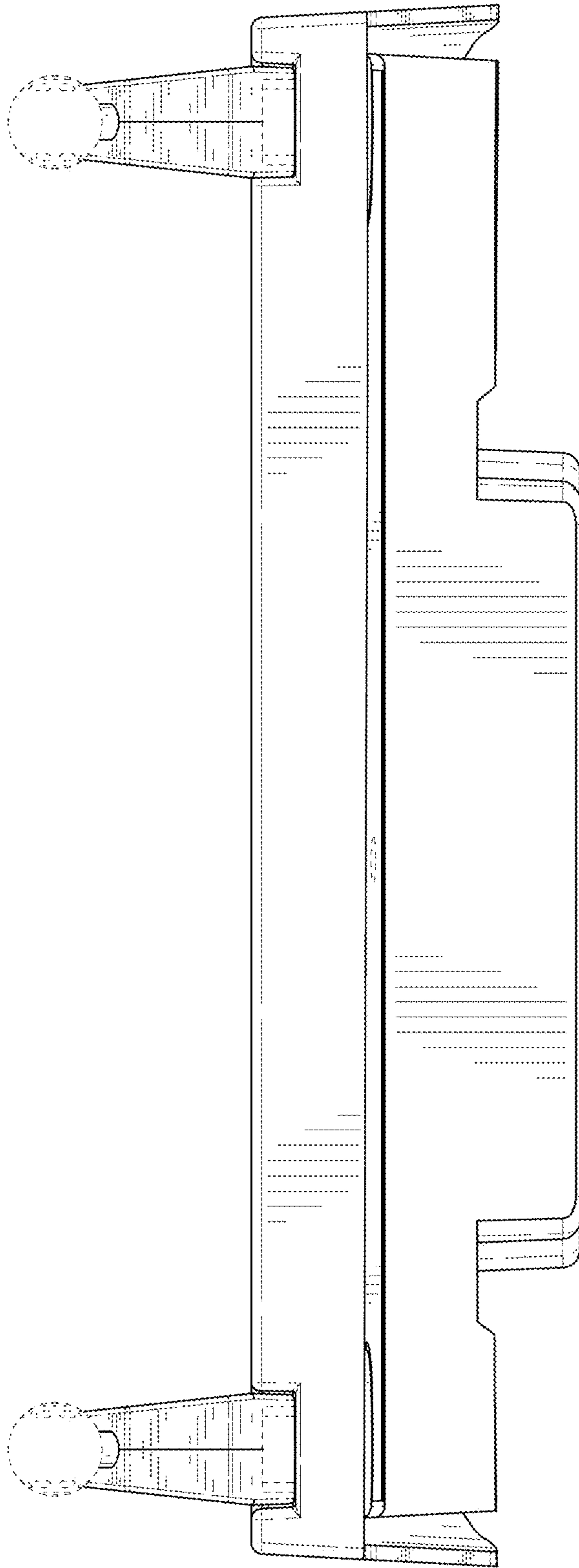


FIG. 8