



US00D964256S

(12) **United States Design Patent**  
**Chen**

(10) **Patent No.:** **US D964,256 S**

(45) **Date of Patent:** **\*\* Sep. 20, 2022**

(54) **VEHICLE-MOUNTED MULTI-FUNCTION DINING TABLE**

(71) Applicant: **Shunqing Chen**, Guangdong (CN)

(72) Inventor: **Shunqing Chen**, Guangdong (CN)

(\*\*) Term: **15 Years**

(21) Appl. No.: **29/820,523**

(22) Filed: **Dec. 22, 2021**

(30) **Foreign Application Priority Data**

Jul. 26, 2021 (CN) ..... 202130475994.3

(51) **LOC (13) Cl.** ..... **12-16**

(52) **U.S. Cl.**  
USPC ..... **D12/419**

(58) **Field of Classification Search**  
USPC ..... D12/422, 425, 400, 406, 415-420, 424,  
D12/426  
CPC ..... B60R 16/04; B63B 17/00; B63B 35/00;  
B63B 7/085; B63B 25/00  
See application file for complete search history.

(56) **References Cited**

**U.S. PATENT DOCUMENTS**

- D724,155 S 3/2015 Hixson
- D835,018 S \* 12/2018 Fiore, IV ..... D14/258
- D912,606 S 3/2021 Chen
- D927,184 S \* 8/2021 Wambolt, Sr. .... D3/303
- D934,152 S \* 10/2021 Lai ..... H04M 1/04  
D12/415
- D938,892 S \* 12/2021 Lai ..... D12/415

- D940,520 S \* 1/2022 Avellanet ..... D7/701
- D940,635 S \* 1/2022 Yang ..... D12/419
- D940,636 S \* 1/2022 Yang ..... D12/419
- D942,217 S \* 2/2022 Hong ..... D7/553.5
- D943,496 S \* 2/2022 Brumby ..... D12/425
- D946,493 S \* 3/2022 Huang ..... D12/425
- D947,616 S \* 4/2022 Ong ..... D7/553.5
- D948,961 S \* 4/2022 Robinson ..... B62D 25/00  
D7/620
- D949,636 S \* 4/2022 Pan ..... D7/620

\* cited by examiner

*Primary Examiner* — Katrina A Betton

(74) *Attorney, Agent, or Firm* — Che-Yang Chen; Law Office of Michael Chen

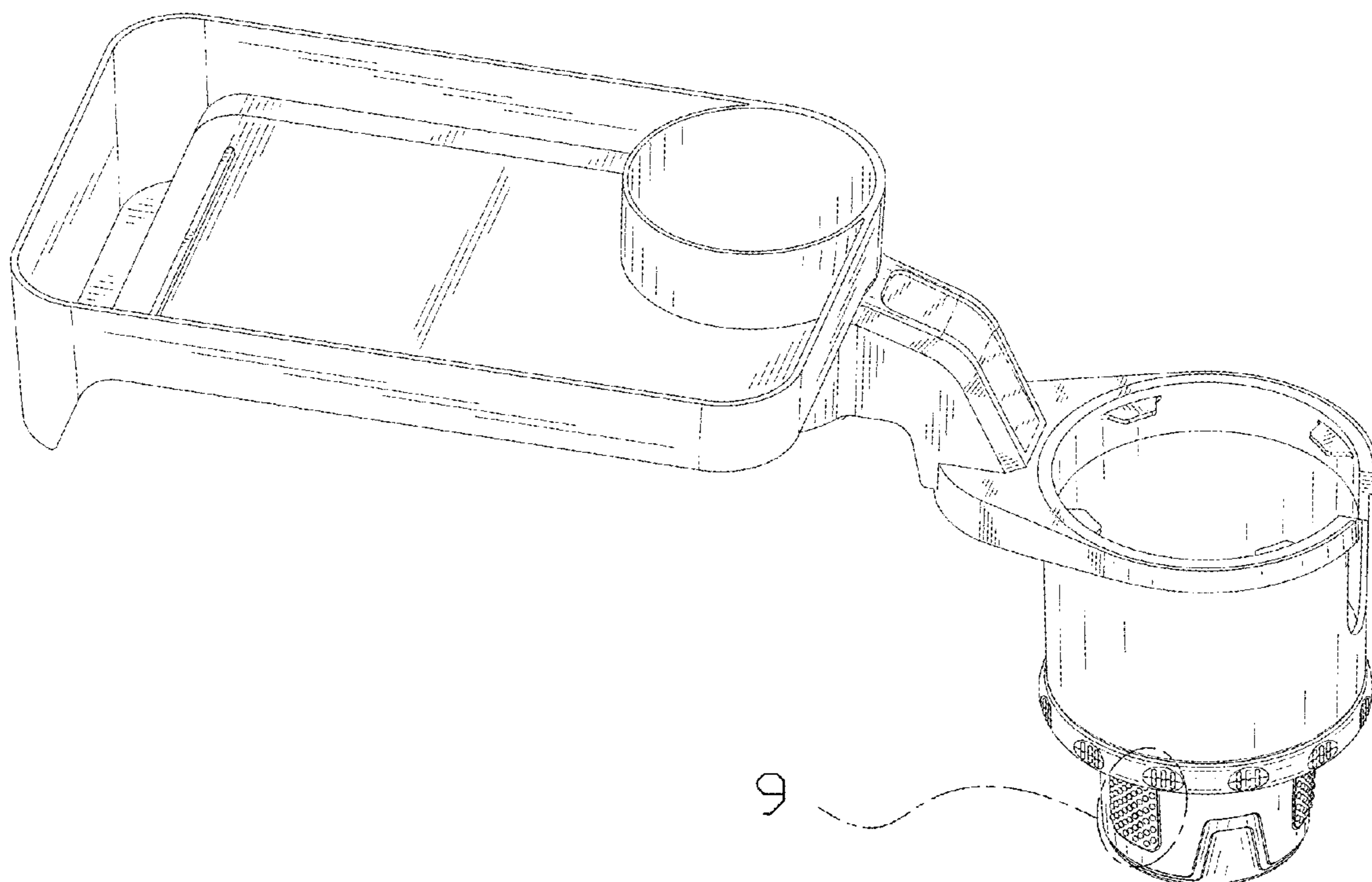
(57) **CLAIM**

The ornamental design for a vehicle-mounted multi-function dining table, as shown and described.

**DESCRIPTION**

FIG. 1 is a perspective view of the vehicle-mounted multi-function dining table showing my new design; FIG. 2 is a perspective view thereof from another angle; FIG. 3 is a front elevational view thereof; FIG. 4 is a rear elevational view thereof; FIG. 5 is a left side elevational view thereof; FIG. 6 is a right side elevational view thereof; FIG. 7 is a top plan view thereof; FIG. 8 is a bottom plan view thereof; and, FIG. 9 is a partial enlarged view of portion 9 in FIG. 1.

**1 Claim, 9 Drawing Sheets**



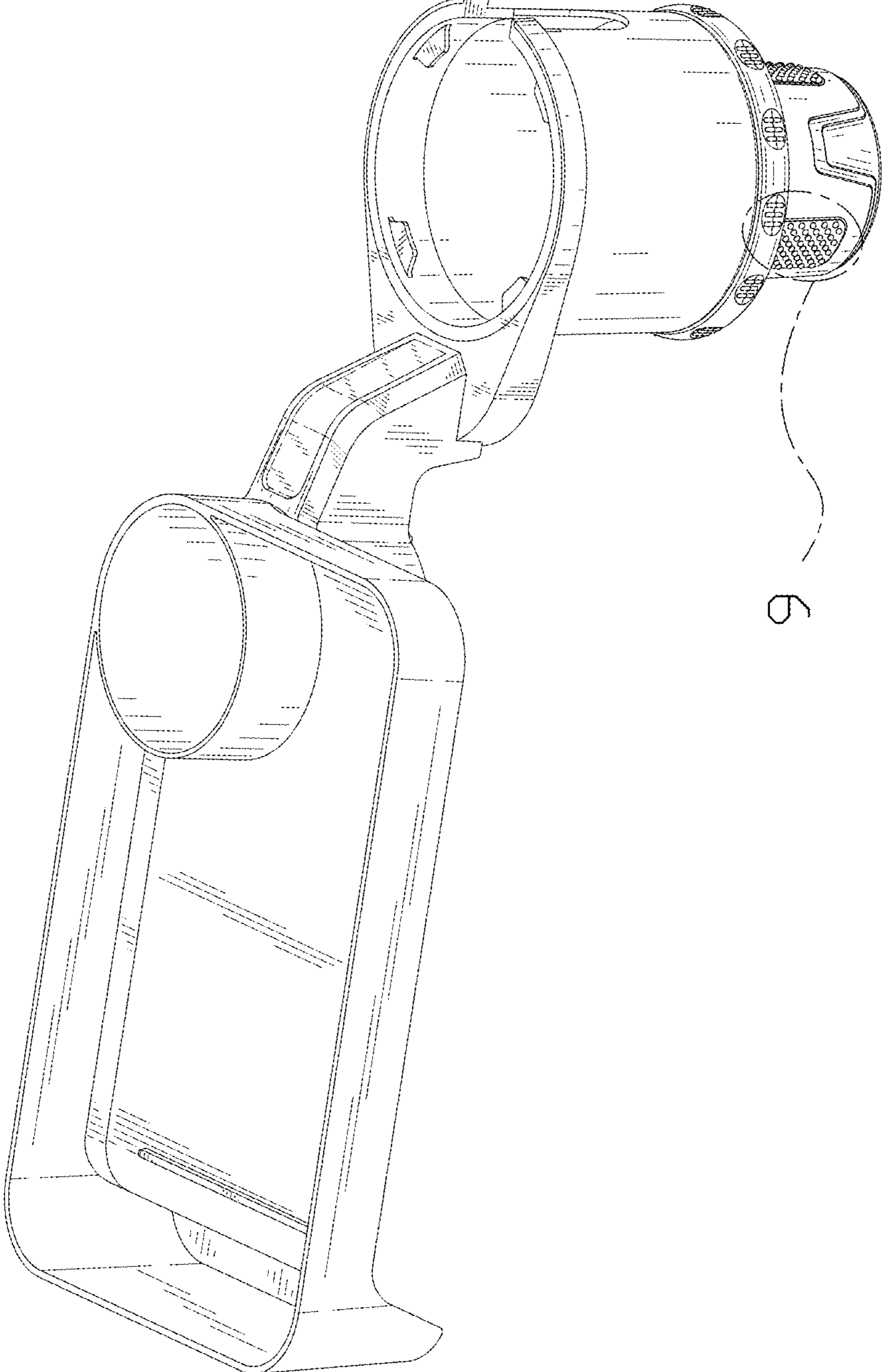


FIG. 1

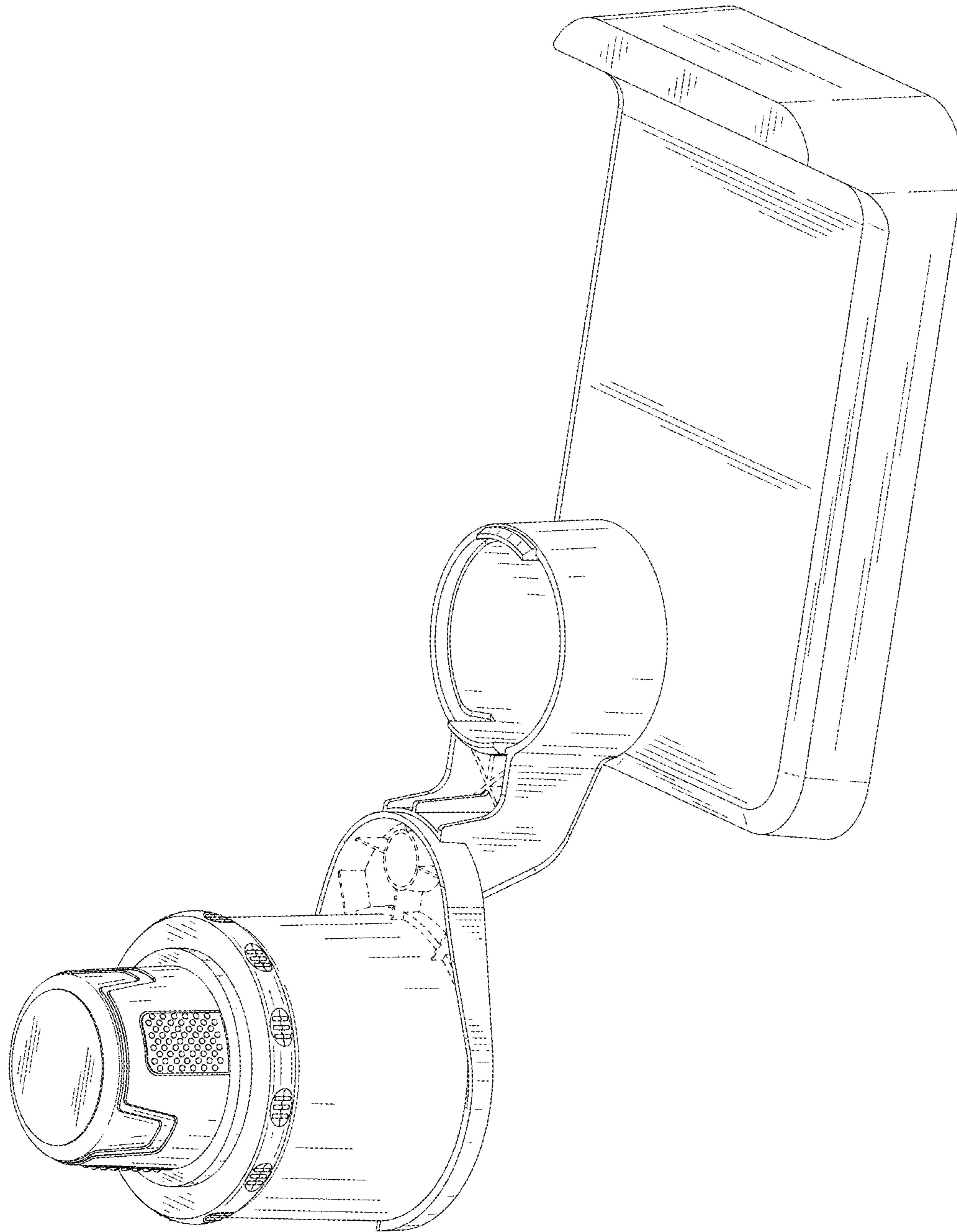


FIG. 2

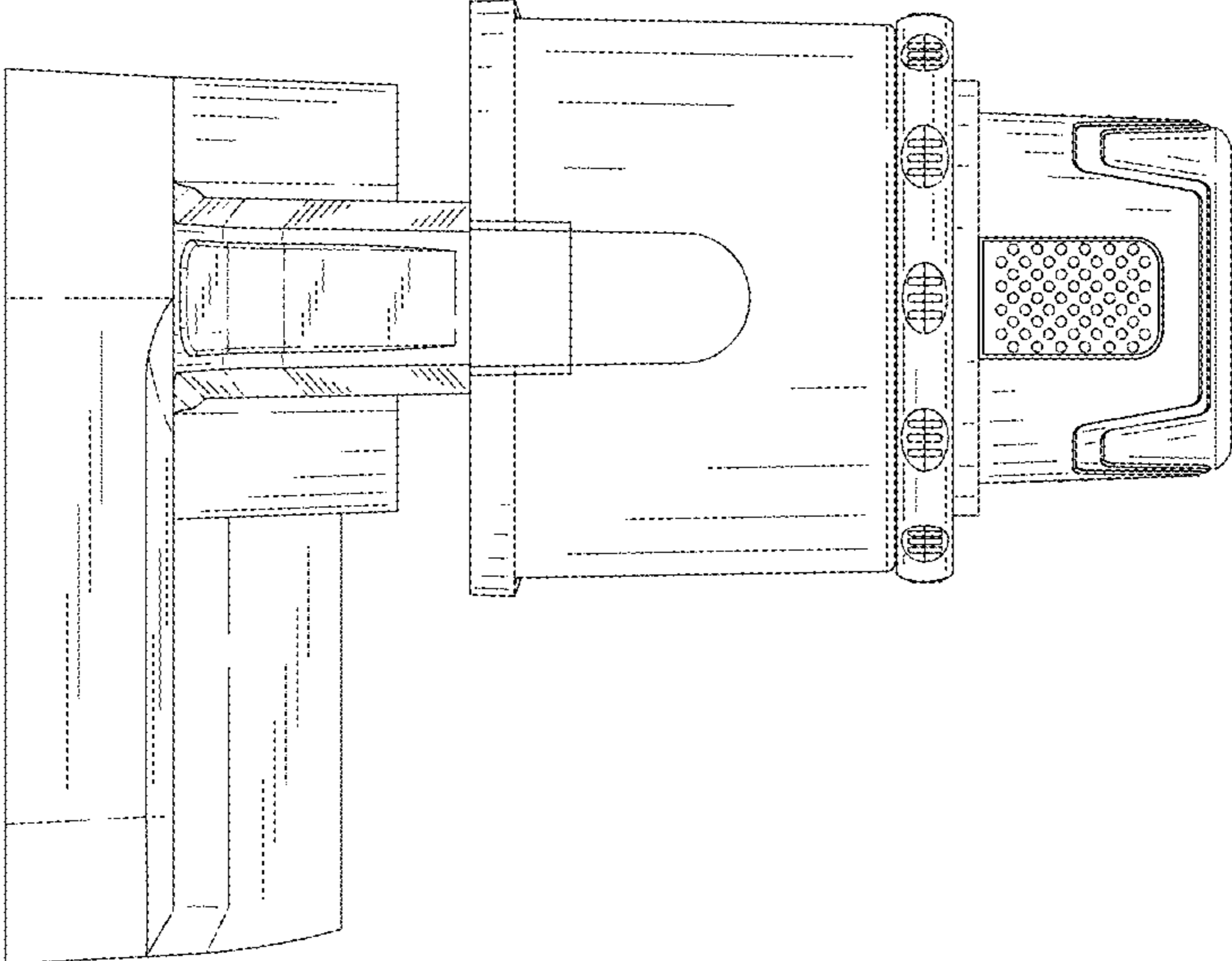


FIG. 3

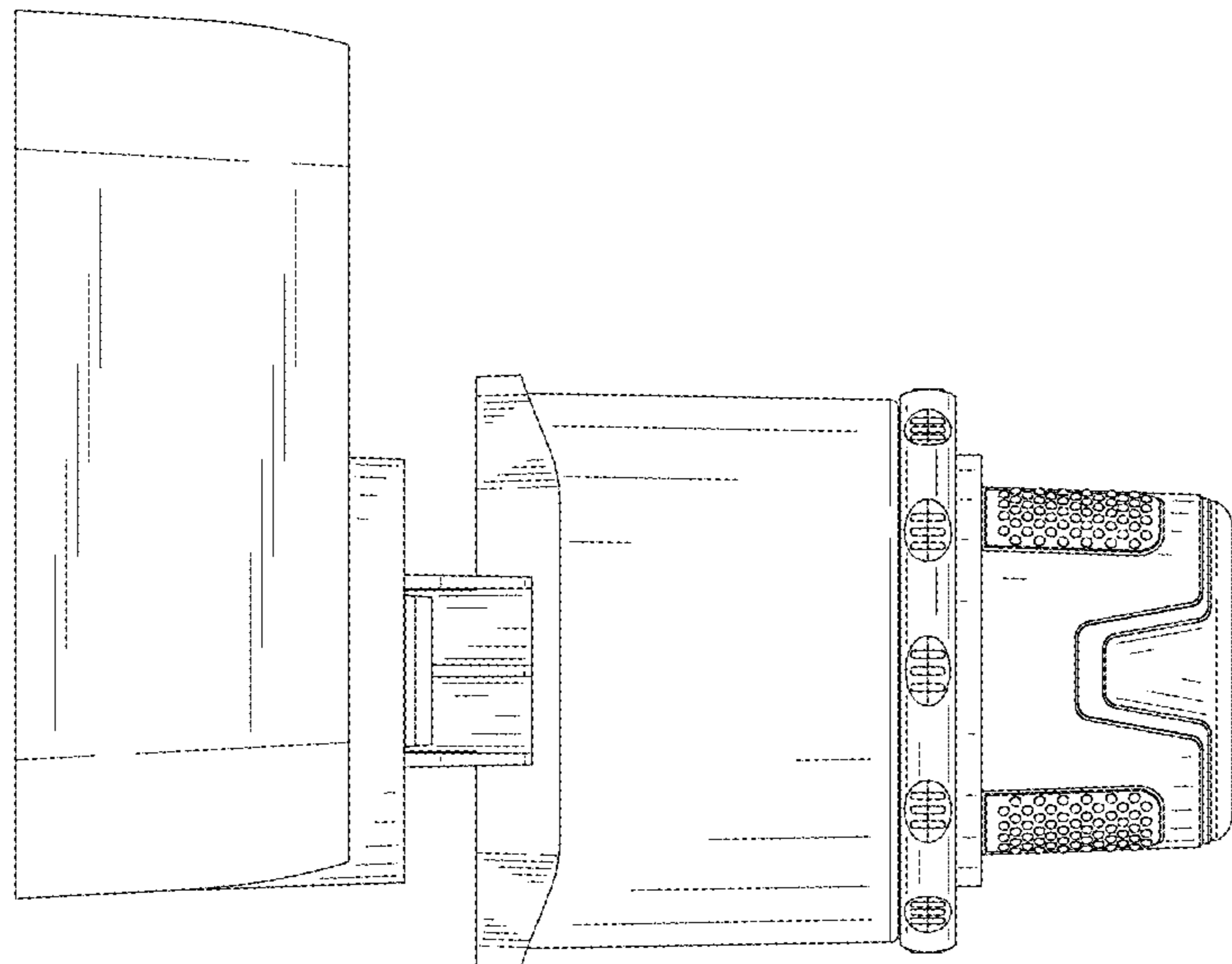


FIG. 4

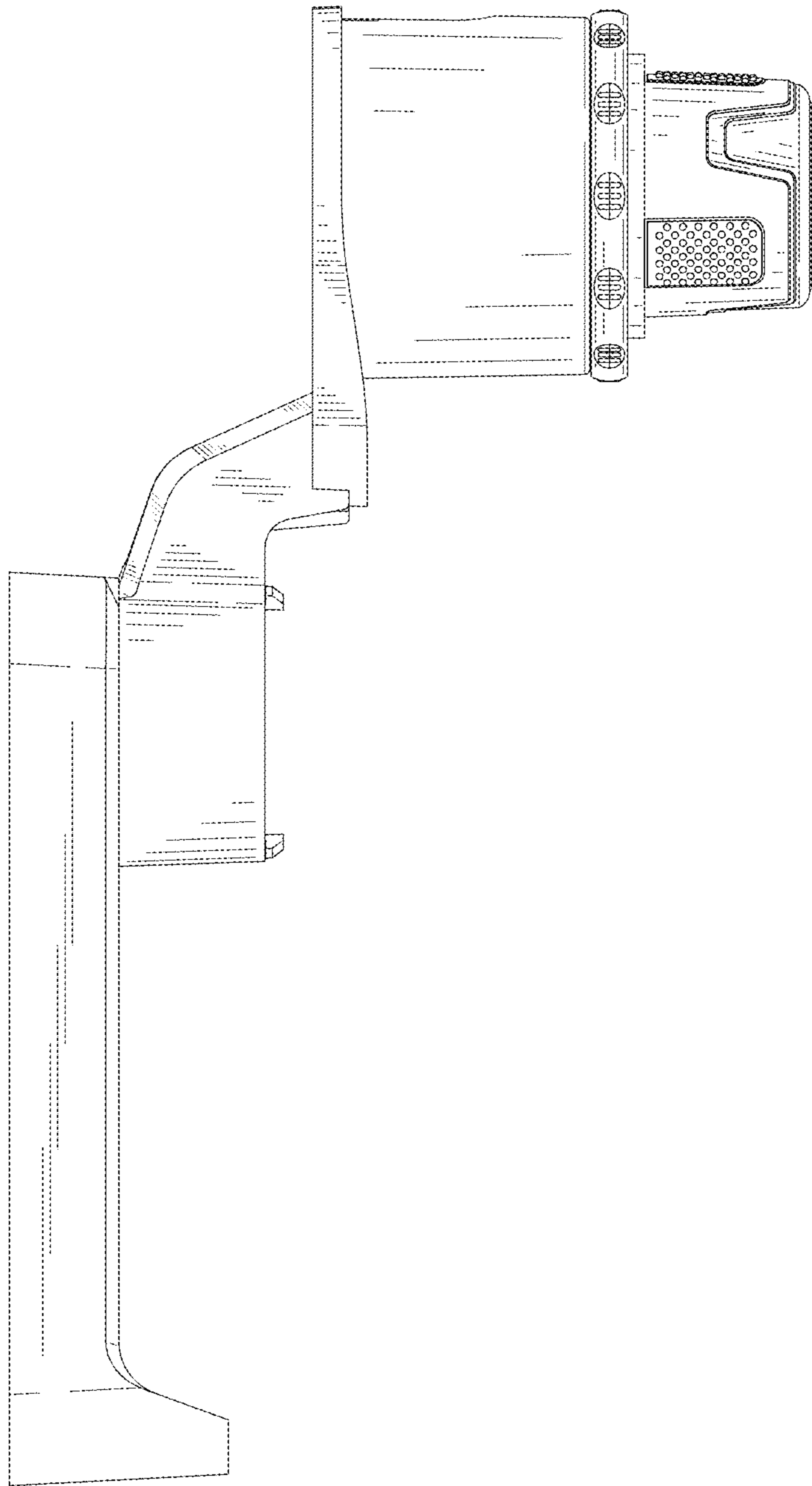


FIG. 5

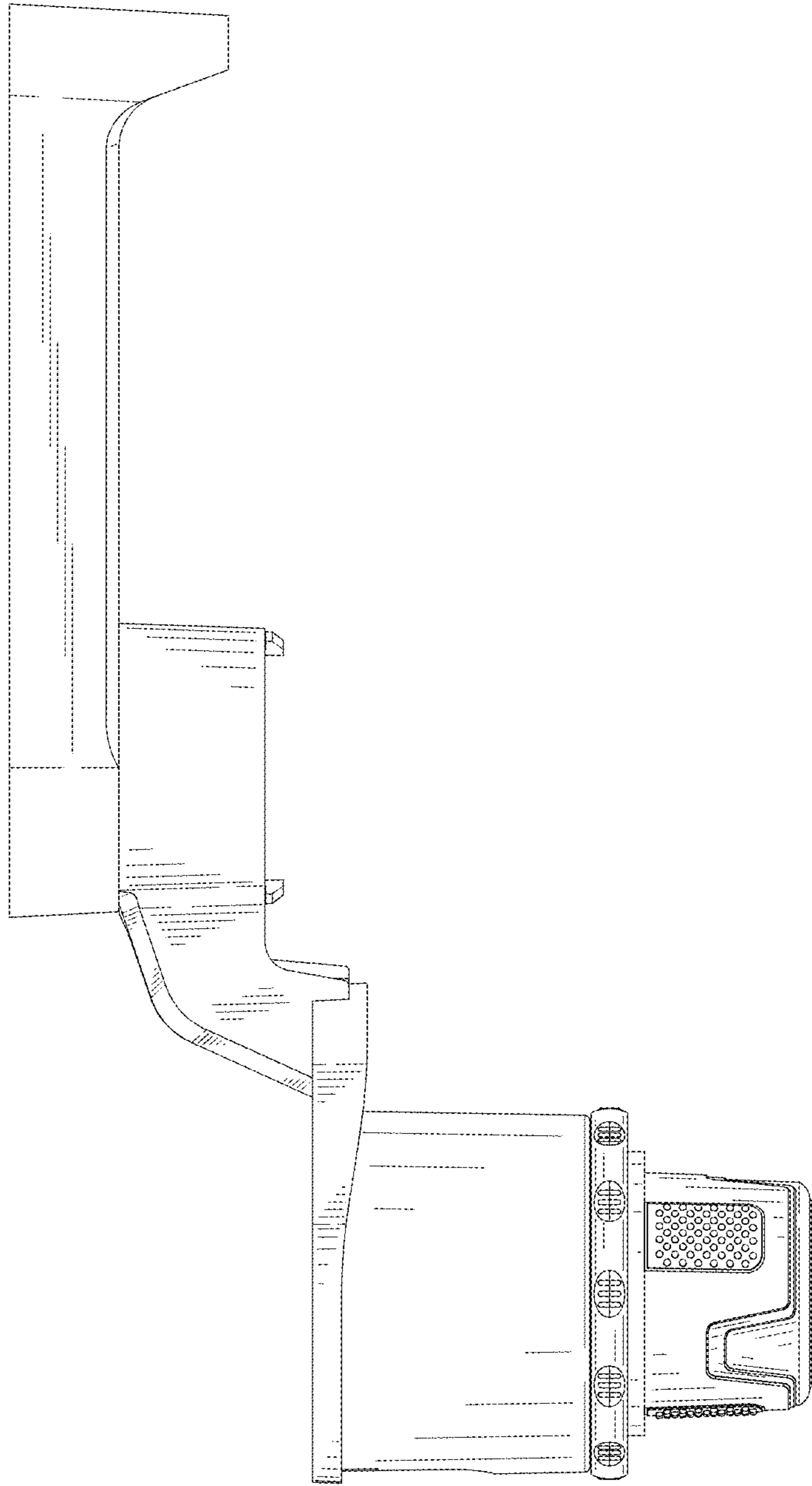


FIG. 6

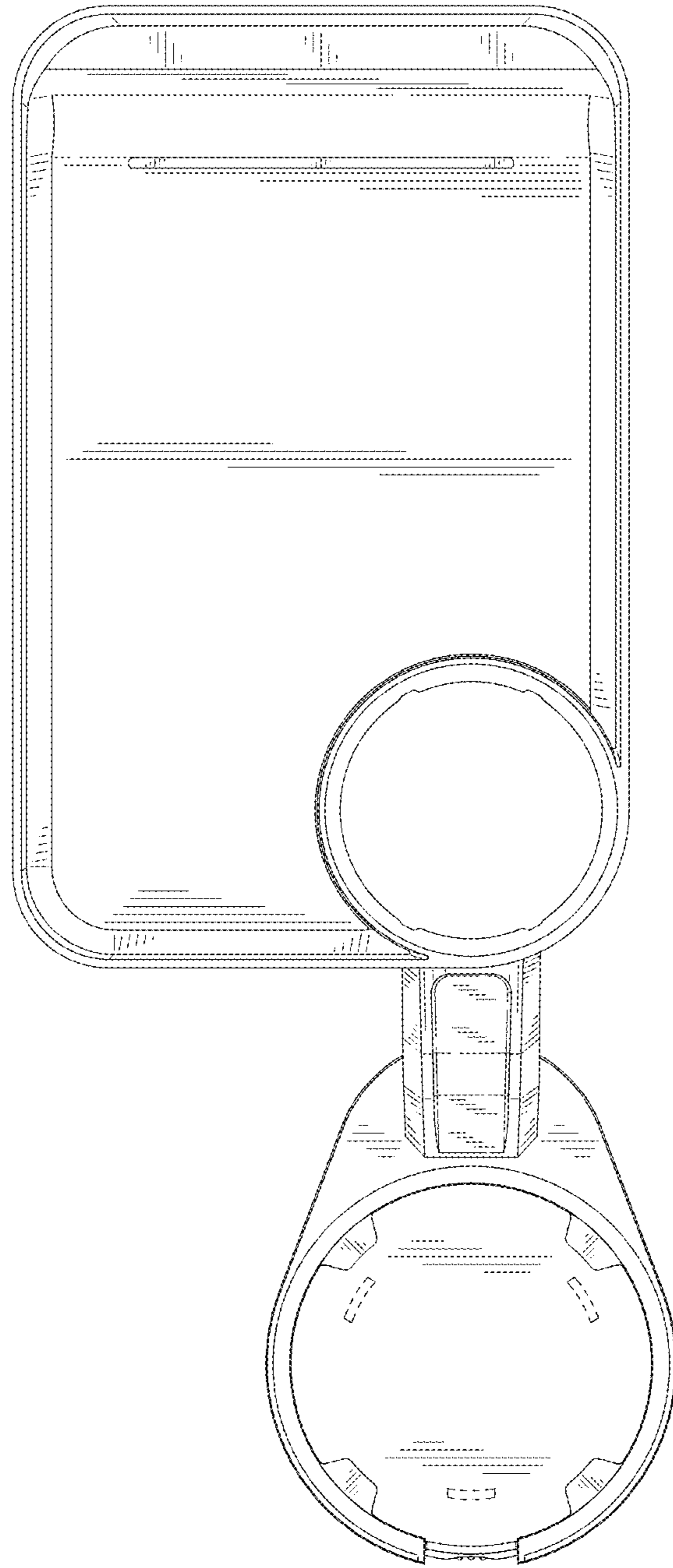


FIG. 7



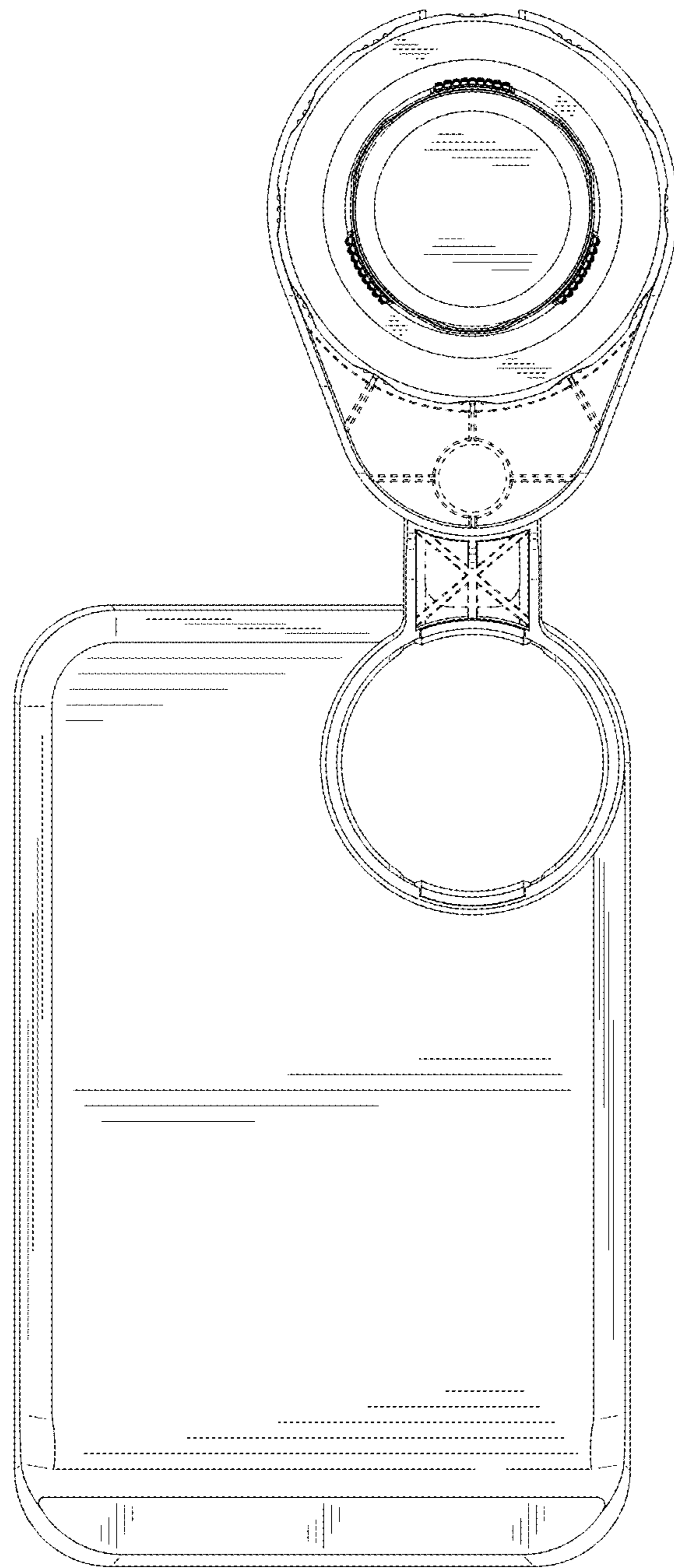


FIG. 8

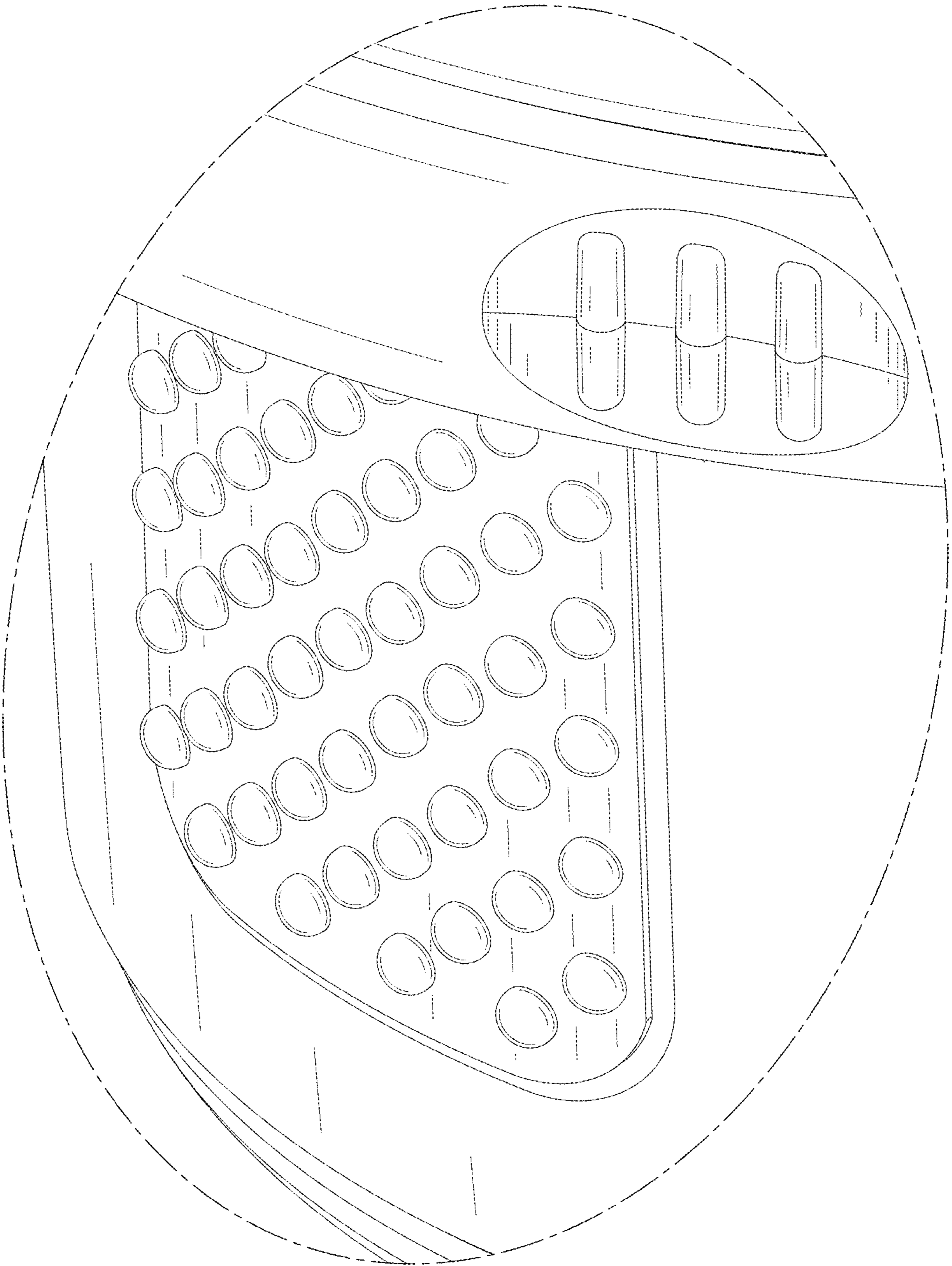


FIG. 9