



US00D964255S

(12) **United States Design Patent** (10) **Patent No.:** **US D964,255 S**
Badillo (45) **Date of Patent:** **** Sep. 20, 2022**

(54) **SUPPORT TOWER FOR A VEHICLE RACK**

(71) Applicant: **INTELLIGENT DESIGNS 2000 CORP.**, Aurora, CO (US)

(72) Inventor: **Paul Badillo**, Littleton, CO (US)

(73) Assignee: **INTELLIGENT DESIGNS 2000 CORP.**, Aurora, CO (US)

(**) Term: **15 Years**

(21) Appl. No.: **29/795,797**

(22) Filed: **Jun. 21, 2021**

Related U.S. Application Data

(62) Division of application No. 29/686,324, filed on Apr. 3, 2019, now Pat. No. Des. 922,931.

(51) **LOC (13) Cl.** **12-16**

(52) **U.S. Cl.**
USPC **D12/412**

(58) **Field of Classification Search**
USPC D12/106, 114, 172, 223, 400, 406, 412, D12/414; D21/561, 694; D8/71, 349, D8/354, 380, 382
CPC .. B60R 9/00; B60R 9/04; B60R 9/042; B60R 9/048; B60R 9/058; B60P 3/1008; B62D 33/027; B62D 33/0207

See application file for complete search history.

(56) **References Cited**

U.S. PATENT DOCUMENTS

D30,369 S	3/1899	Mandt
D33,754 S	12/1900	Hien
704,436 A	7/1902	Cluff
744,113 A	11/1903	Rye
1,564,776 A	12/1925	Green
1,606,954 A	11/1926	Moen et al.
2,387,779 A	10/1945	Strauss

2,492,841 A	12/1949	Burkey	
D157,594 S *	3/1950	Hollaender D8/382
2,521,815 A	9/1950	Will	
2,663,472 A	12/1953	Belgau	
2,784,888 A	3/1957	Lecanu-Deschamps	
2,800,264 A	7/1957	McFadyen	
2,967,635 A	1/1961	Barnett	
3,158,301 A	11/1964	Hedgpeeth	
3,215,323 A	11/1965	Bonitt	
3,260,929 A	7/1966	Hedgpeeth	
3,330,454 A	7/1967	Bott	

(Continued)

OTHER PUBLICATIONS

Advertisement: Yakima Spare Tire Carrier, Cargo Basket for Roof Racks, available at http://www.rackoutfitters.com/catalog/yakima_spare_tire_carrier_1836640.htm, dated Jul. 7, 2003, 1 page.

(Continued)

Primary Examiner — Cary M Robinson

Assistant Examiner — Adam C Mager

(74) *Attorney, Agent, or Firm* — Sheridan Ross P.C.

(57) **CLAIM**

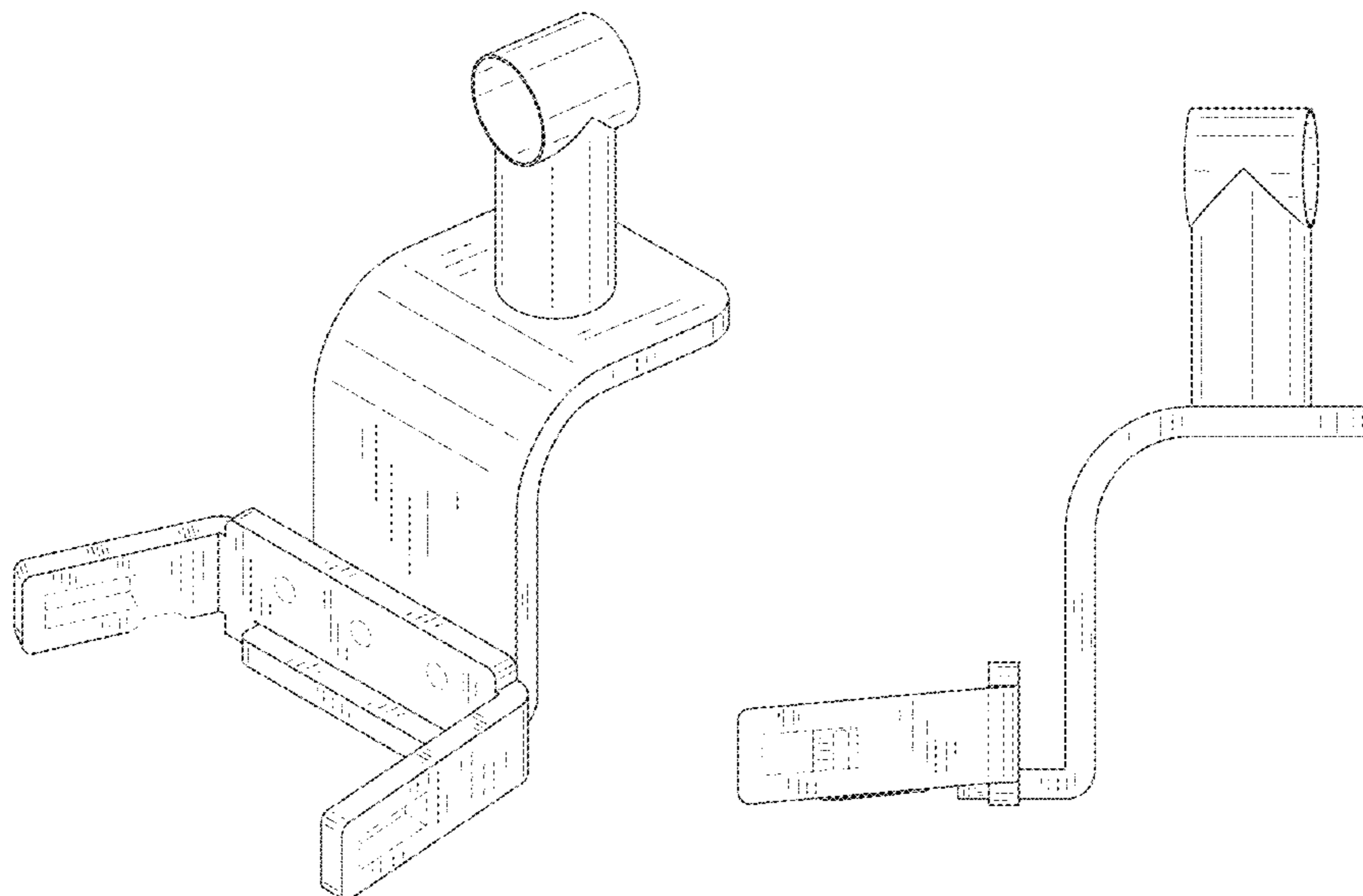
The ornamental design for a support tower for a vehicle rack, as shown and described.

DESCRIPTION

FIG. 1 is a front perspective view of a support tower for a vehicle rack;
FIG. 2 is a front elevation view thereof;
FIG. 3 is a rear elevation view thereof;
FIG. 4 is a right elevation view thereof;
FIG. 5 is a left elevation view thereof;
FIG. 6 is a top plan view thereof; and,
FIG. 7 is a bottom plan view thereof.

The broken lines shown in the drawings illustrate portions of the support tower for a vehicle rack in which the design is embodied and forms no part of the claimed design.

1 Claim, 7 Drawing Sheets



(56)

References Cited

U.S. PATENT DOCUMENTS

3,531,006 A 9/1970 Farchmin
D223,753 S 6/1972 Seals
3,762,587 A 10/1973 Longee, Sr.
3,765,713 A 10/1973 Suitt
3,902,642 A 9/1975 McNeece
3,905,499 A 9/1975 Speidel
3,915,323 A 10/1975 Underhill
D243,447 S 2/1977 Smith, III et al.
4,240,571 A 12/1980 Ernst
4,249,683 A 2/1981 Park
4,336,897 A 6/1982 Luck
4,350,471 A 9/1982 Lehman
4,538,752 A 9/1985 Welter
D294,137 S 2/1988 Robson
D299,224 S 1/1989 Kamaya
D299,913 S 2/1989 Arvidsson
4,817,834 A 4/1989 Weiler
4,877,169 A * 10/1989 Grim B60R 9/058
224/331
D304,904 S * 12/1989 Kercher D8/380
D306,990 S 4/1990 Bott
4,948,024 A 8/1990 Warner et al.
4,995,538 A * 2/1991 Marengo B60R 9/045
224/315
D324,664 S 3/1992 Burnette
5,171,083 A 12/1992 Rich
D340,690 S 10/1993 Arvidsson
D344,482 S 2/1994 Arvidsson
5,320,061 A 6/1994 Laughlin et al.
5,366,128 A * 11/1994 Grim B60R 9/058
224/322
5,381,939 A 1/1995 Tippets
D359,134 S 6/1995 Toews
5,492,259 A 2/1996 Tippets
D374,812 S * 10/1996 Hirano D8/382
5,560,525 A 10/1996 Grohmann et al.
D406,557 S 3/1999 Bentley
D413,562 S 9/1999 Van Dusen et al.
D415,718 S 10/1999 Aghaci
6,003,633 A 12/1999 Rolson
6,015,074 A 1/2000 Snavely et al.
D422,553 S 4/2000 VonDuyke
6,116,378 A 9/2000 Barrow
6,126,051 A 10/2000 Potter
D434,364 S 11/2000 Bauer et al.
6,152,339 A 11/2000 Kreisler
D434,718 S 12/2000 Kreisler
D435,510 S 12/2000 Quidort
6,179,180 B1 1/2001 Walker et al.
D442,289 S 5/2001 Ziaylek et al.
D448,717 S 10/2001 Hanson et al.
D449,029 S 10/2001 Hanson et al.
6,308,874 B1 10/2001 Kim et al.
6,425,508 B1 7/2002 Cole et al.
6,428,263 B1 8/2002 Schellens
D463,358 S 9/2002 Thomas
D470,451 S 2/2003 Bushart et al.
6,561,397 B1 5/2003 Bauer et al.
6,581,813 B2 6/2003 Bove et al.
D477,562 S 7/2003 McCoy et al.
6,604,606 B1 8/2003 McDougal et al.
D479,884 S 9/2003 Berryman
D481,003 S 10/2003 Bauer et al.
6,715,652 B2 4/2004 Kmita et al.
D490,163 S 5/2004 Thurston
6,739,349 B2 5/2004 Kastenschmid et al.
6,755,332 B2 6/2004 Crane et al.
6,772,928 B2 8/2004 Ford et al.
D508,015 S 8/2005 Badillo
D512,783 S 12/2005 Badillo
D520,938 S 5/2006 Badillo
D521,486 S 5/2006 Yokoyama
7,055,454 B1 6/2006 Whiting et al.
D537,404 S 2/2007 Bauer et al.
7,226,226 B2 6/2007 Troman

7,226,266 B2 6/2007 Henderson et al.
7,249,927 B2 7/2007 Wooten et al.
D549,838 S 8/2007 Badillo
D558,123 S 12/2007 Murillo
D564,419 S 3/2008 Clontz
D578,952 S 10/2008 Badillo
D597,924 S 8/2009 Smith
D603,321 S 11/2009 Kramer
D604,687 S 11/2009 Malik
D621,328 S 8/2010 Sistare et al.
D624,005 S 9/2010 Winner et al.
D638,333 S 5/2011 Freeman
D650,316 S 12/2011 Pirolo et al.
D659,072 S 5/2012 Matijevich
D670,749 S * 11/2012 Chien D16/130
D682,069 S 5/2013 Lehane et al.
8,496,146 B2 7/2013 Badillo
8,591,164 B2 11/2013 Prosser
D702,620 S 4/2014 Read et al.
D717,631 S 11/2014 Elbl
D729,133 S 5/2015 McGaughy
D758,256 S 6/2016 Cropley et al.
D765,577 S 9/2016 Kmita et al.
D772,783 S 11/2016 Schleef
D777,080 S 1/2017 Cropley et al.
9,676,343 B2 6/2017 Badillo
D793,946 S 8/2017 Badillo
D815,012 S 4/2018 Badillo
D825,924 S 8/2018 Tuang
D831,562 S 10/2018 Salsi
D840,914 S 2/2019 Badillo
D840,915 S 2/2019 Badillo
D840,916 S 2/2019 Badillo
D849,665 S 5/2019 Badillo
D850,353 S * 6/2019 Badillo D12/223
10,351,070 B2 7/2019 Badillo
10,358,095 B1 7/2019 Badillo
D867,262 S 11/2019 Eriksson et al.
D879,703 S 3/2020 Perry et al.
D881,792 S 4/2020 Tang
D899,897 S * 10/2020 Gustafsson Salmonsson
D8/354
10,829,055 B2 11/2020 Badillo
D913,197 S 3/2021 Badillo
D922,931 S * 6/2021 Badillo D12/412
2005/0082326 A1 4/2005 Badillo
2005/0092796 A1 5/2005 Essig
2005/0095102 A1 5/2005 Watson
2010/0084448 A1 * 4/2010 Fjelland B60R 9/058
224/322
2011/0101056 A1 5/2011 Barkey
2018/0319270 A1 11/2018 Tier et al.
2021/0053503 A1 2/2021 Bdililo

OTHER PUBLICATIONS

Advertisement: Thule 840-Playpen Basket, Cargo Basket for Roof Racks, available at http://www.rackoutfitters.com/catalog/thule_840_-_playpen_basket_1885452.htm, dated Jul. 7, 2003, 1 page.
Advertisement: SURCO, Products, Inc., "Basket rack-it just flat out carries what you need to take," available at http://www.everythingsuv.com/surco_safari_roof_racks-esuv.asp, dated Jul. 7, 2003, 10 pages.
Advertisement: KargoMaster, Kargo Master Safari Racks, available at http://www.kargomaster.com/jeep23.asp?rack=sport_jeep, Jul. 7, 2007, 1 page.
Advertisement: KargoMaster, The Bushman Steel Rack, available at <http://www.kargomaster.com/bushman.asp?type=Jeep>, dated Jul. 7, 2003, 1 page.
Advertisement: KargoMaster, Seregenti Telescoping Steel Rack, available at <http://www.kargomaster.com/seregenti.asp?type=Jeep>, dated Jul. 7, 2003, 1 page.
Advertisement: Bauer Vehicle Gear Roof Racks, Roof Storage, Bike Storage & Pet Barriers from Eve, available at http://www.everythingsuv.com/bvg_products-esuv.asp, Jul. 7, 2003, 2 pages.
Advertisement: Manik Original Off-Road Equipment, Hummer Rough Terrain Package New Product Release "Tilt-Forward 1-Piece Front Bar," 2002, 1 page.

(56)

References Cited

OTHER PUBLICATIONS

Advertisement: Manik Original Off-Road Equipment, Hummer Rough Terrain Package New Product Release "Combination Tube Step Rocker Bar," 2002, 1 page.

Advertisement: Congo Cage Jeep Rack, available at <http://www.kargomaster.com/item.asp?id=62>, printed Apr. 17, 2009, 13 pages. Product Literature entitled, "921-Dave's Rack 921-12X," Olympic 4X4, date unknown, 10 pages.

Advertisement: 921—Daves Rack, Olympic 4X4 Products for over 60 years, available at <http://olympic4x4products.com/utility-racks/921-daves-rack>, printed Jan. 14, 2011, 3 pages.

"Installation Guide: BR-JPTJ2D-1-0 BajaRack Jeep TJ 2 Doors," BajaRack Adventure Equipment, 4 pages, first sold 2013.

"BR-JPJK-Series Installation Instructions," BajaRack Adventure Equipment, 5 pages, first sold 2013.

"GOBI Jeep JL 4 Door Roof Rack Gen 1 Installation Instructions," Intelligent Designs 2000 Corporation, Aug. 29, 2018, Part No. GJJLRG1, 26 pages [retrieved online from: www.gobiracks.com/wp-content/uploads/2019/01/JEEP-JL-Rack-Install-Guide.pdf].

"Installation Guide: BR-JP-JK4D-1-0 BajaRackJEEP JK4 Doors," BajaRack Adventure Equipment, 6 pages, first sold 2013.

"Yakima, RoundBar SL Adapter to Attach Streamline Towers to RoundBar Crossbars," Amazon.com, Inc., First Available Aug. 20, 2009, 8 pages [retrieved online from: www.amazon.com/Yakima-8003536-RoundBar-StreamLine-Adapter/dp/B0171A6IKC/ref=sr_1_1?dchild=1&keywords=8003536&qid=1603147545&sr=8-1].

Official Action for U.S. Appl. No. 12/861,034 dated Oct. 4, 2012, 16 pages.

Notice of Allowance for U.S. Appl. No. 12/861,034 dated Mar. 29, 2013, 7 pages.

Official Action for U.S. Appl. No. 13/942,489 dated May 3, 2016, 11 pages.

Final Action for U.S. Appl. No. 13/942,489 dated Sep. 29, 2016, 15 pages.

Notice of Allowance for U.S. Appl. No. 13/942,489 dated Feb. 7, 2017, 5 pages.

Official Action for U.S. Appl. No. 29/535,865 dated Aug. 23, 2016, 5 pages.

Final Action for U.S. Appl. No. 29/535,865 dated Feb. 2, 2017, 8 pages.

Official Action for U.S. Appl. No. 29/535,865, dated Nov. 3, 2017 10 pages.

Official Action for U.S. Appl. No. 29/535,865, dated Jun. 28, 2018, 9 pages.

Notice of Allowance for U.S. Appl. No. 29/535,865, dated Jan. 14, 2019, 8 pages.

Notice of Allowance for U.S. Appl. No. 29/535,957 dated Mar. 27, 2017, 6 pages.

Notice of Allowance for U.S. Appl. No. 29/612,929 dated Sep. 27, 2018, 7 pages.

Notice of Allowance for U.S. Appl. No. 29/612,927 dated Sep. 27, 2018, 7 pages.

Notice of Allowance for U.S. Appl. No. 29/612,924 dated Sep. 27, 2018, 7 pages.

Official Action for U.S. Appl. No. 15/586,769 dated Jul. 17, 2017 14 pages.

Official Action for U.S. Appl. No. 15/586,769, dated Dec. 5, 2017 9 pages.

Official Action for U.S. Appl. No. 15/586,769, dated Jun. 26, 2018, 8 pages.

Notice of Allowance for U.S. Appl. No. 15/586,769, dated Jan. 28, 2019, 5 pages.

Official Action for U.S. Appl. No. 16/516,530, dated Feb. 3, 2020 9 pages.

Official Action for U.S. Appl. No. 16/516,530, dated Jul. 29, 2020 11 pages.

Notice of Allowance for U.S. Appl. No. 29/612,930, dated Sep. 27, 2018, 7 pages.

Official Action for U.S. Appl. No. 15/344,244, dated Jun. 21, 2018, 11 pages.

Notice of Allowance for U.S. Appl. No. 15/344,244, dated Feb. 21, 2019, 14 pages.

Official Action for U.S. Appl. No. 29/686,324, dated Oct. 26, 2020 6 pages Restriction Requirement.

Notice of Allowance for U.S. Appl. No. 29/686,324, dated Feb. 25, 2021 7 pages.

Official Action for U.S. Appl. No. 16/516,530, dated Mar. 9, 2021 10 pages.

Official Action for U.S. Appl. No. 16/516,530, dated Jul. 8, 2021 9 pages.

Notice of Allowance for U.S. Appl. No. 16/355,179, dated Jun. 16, 2020 8 pages.

U.S. Appl. No. 16/516,530, filed Jul. 19, 2019, Badillo.

Notice of Allowance for U.S. Appl. No. 16/516,530, dated Dec. 27, 2021 9 pages.

Official Action for U.S. Appl. No. 17/093,276, dated Dec. 15, 2021 5 pages Restriction Requirement.

Official Action for U.S. Appl. No. 17/093,276, dated Mar. 29, 2022 7 pages.

* cited by examiner

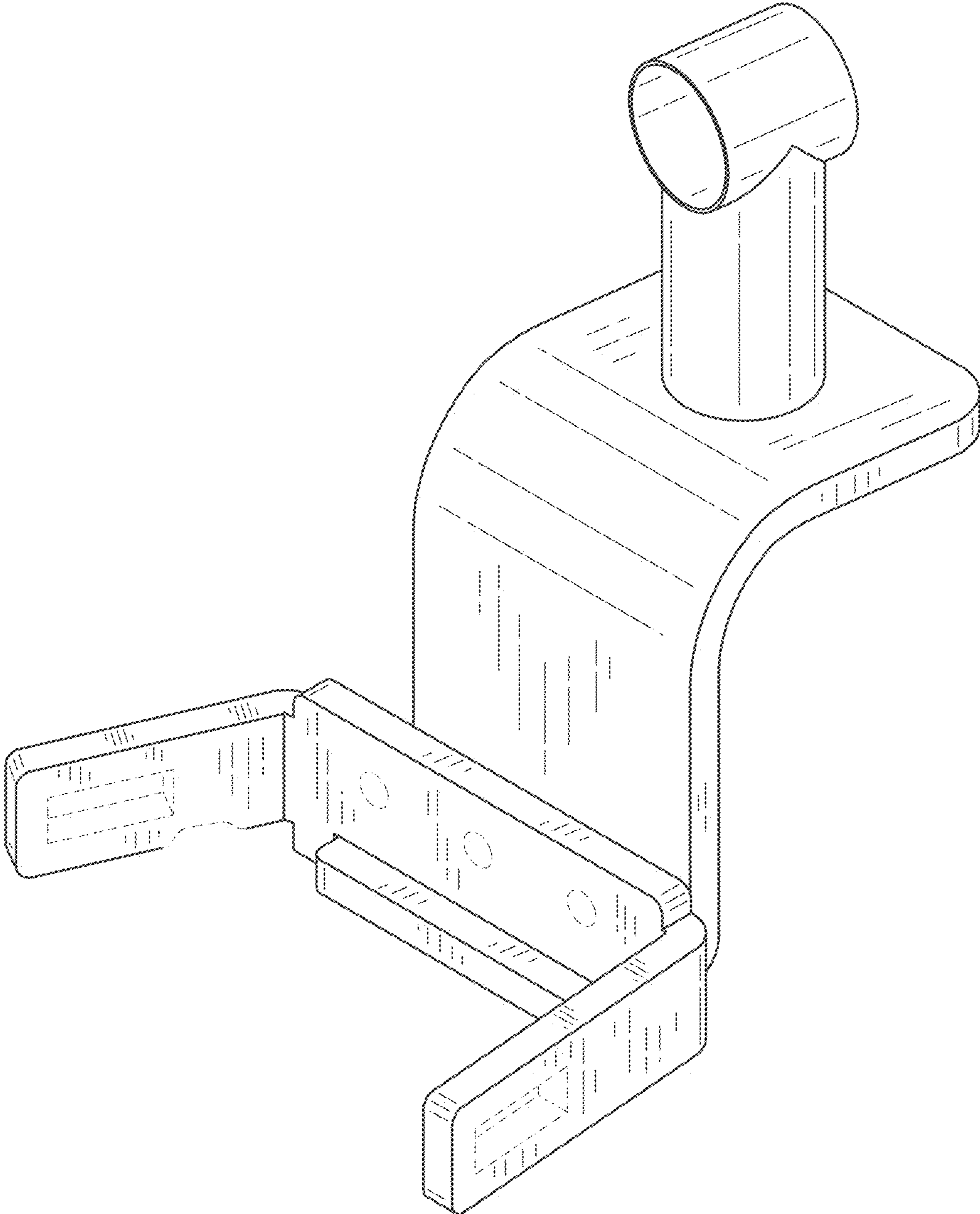


FIG. 1

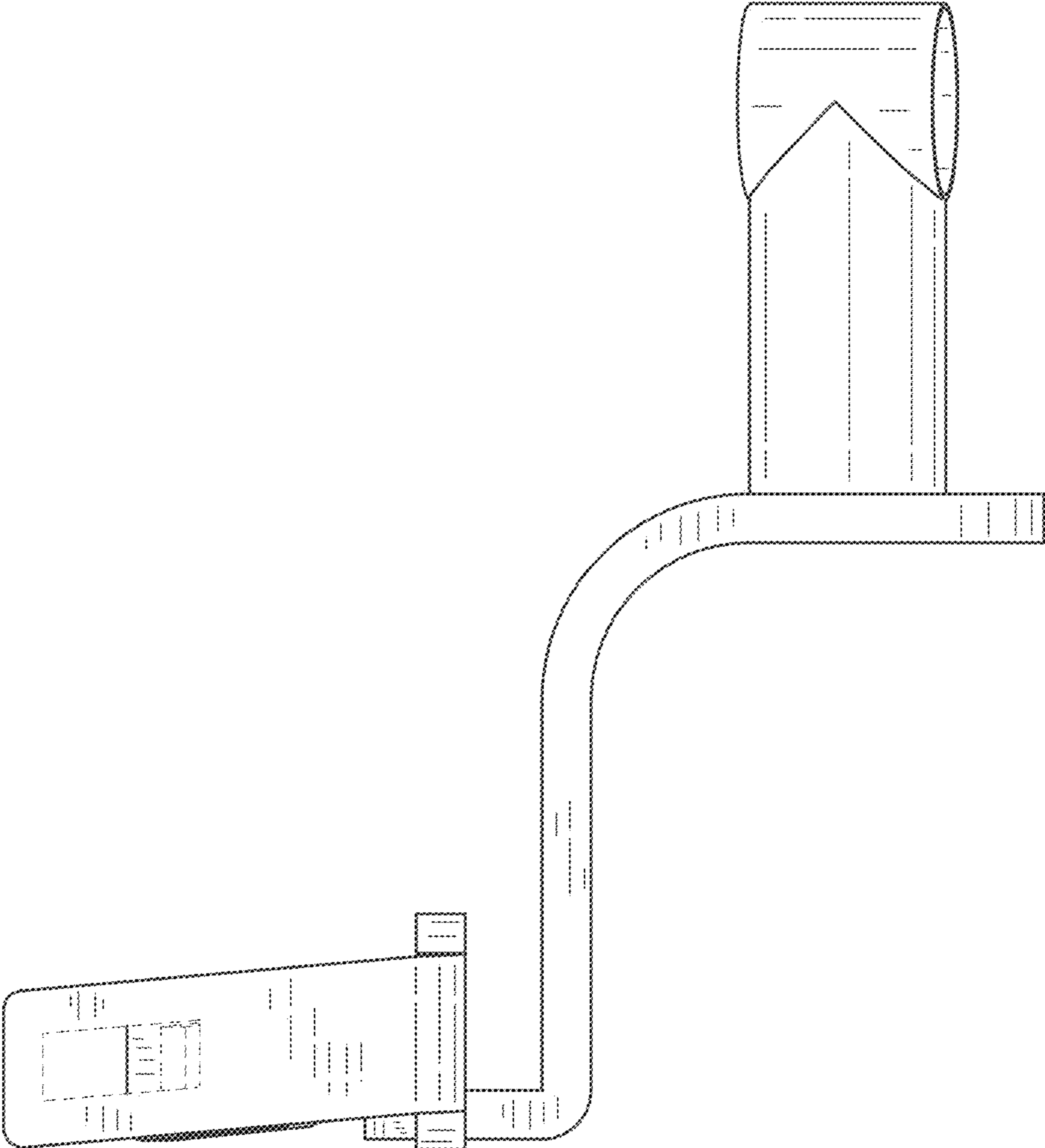


FIG.2

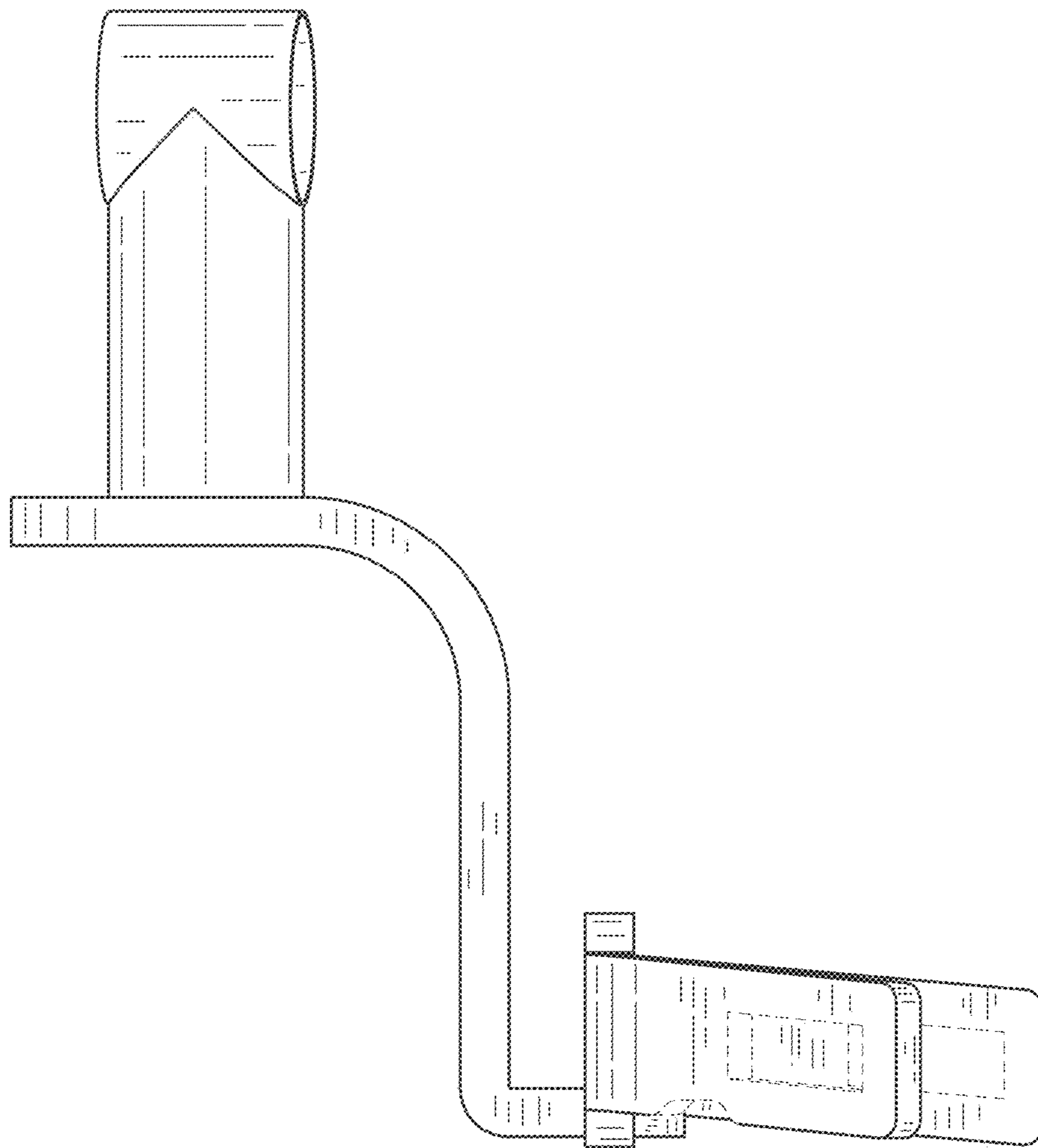


FIG.3

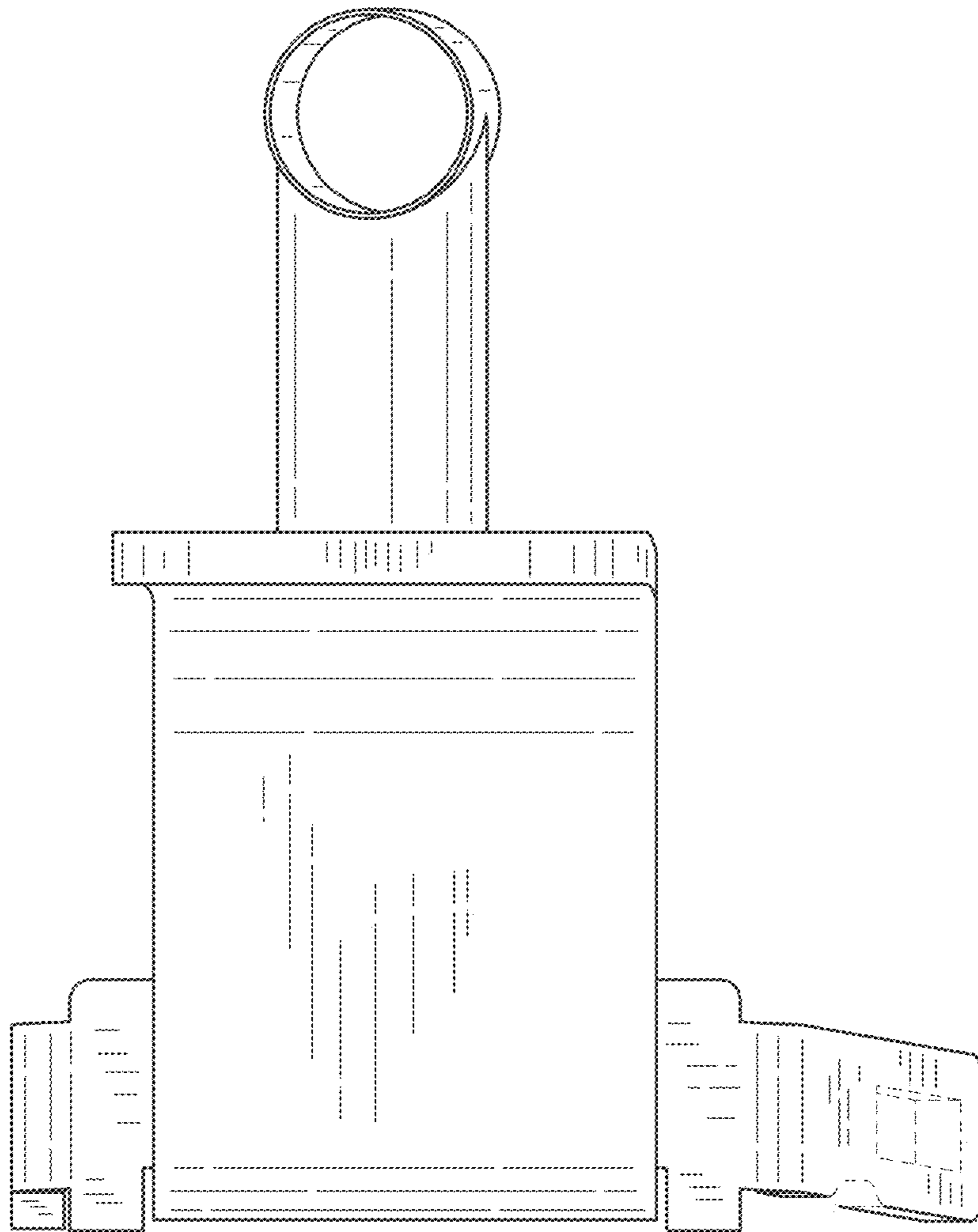


FIG.4

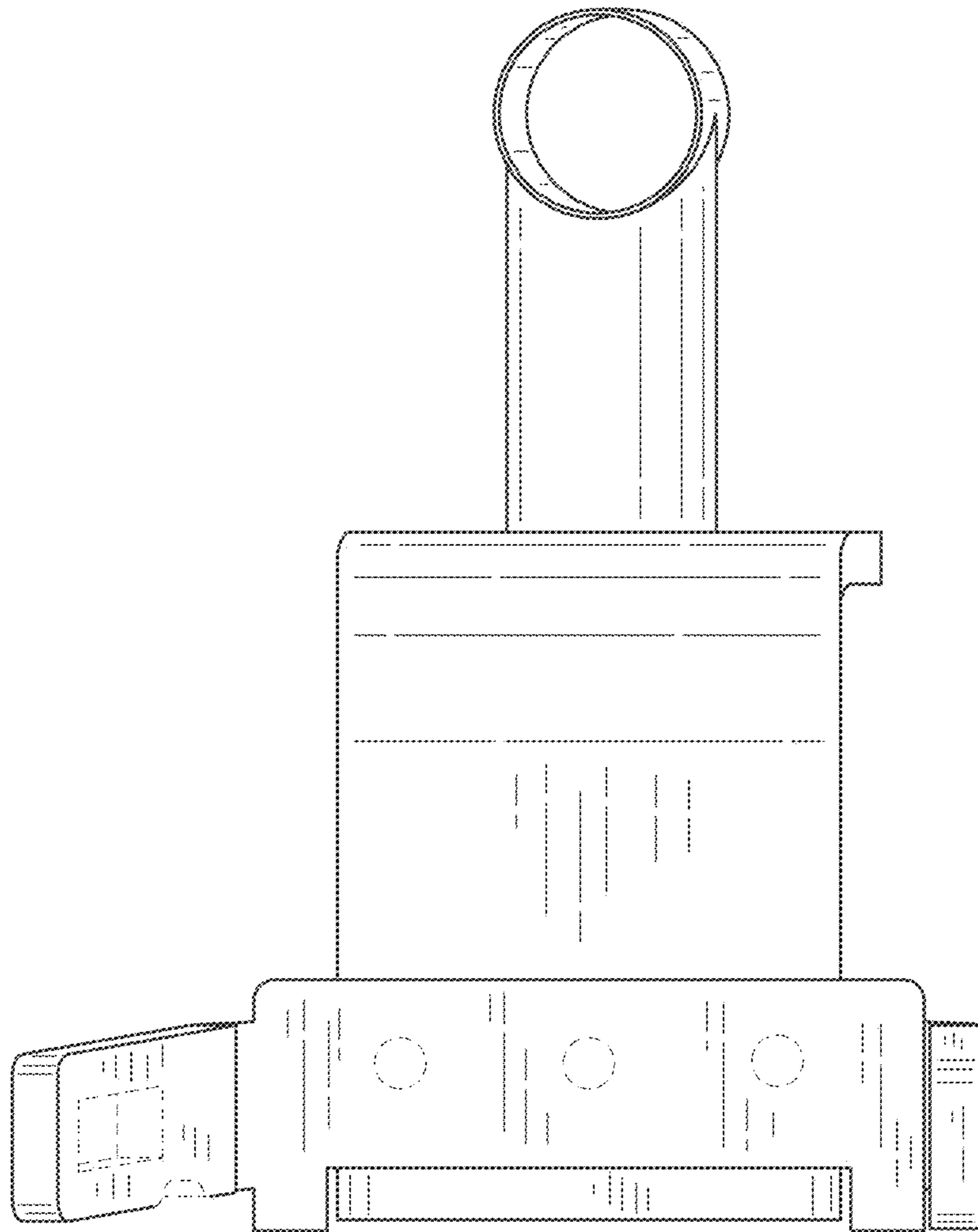


FIG.5

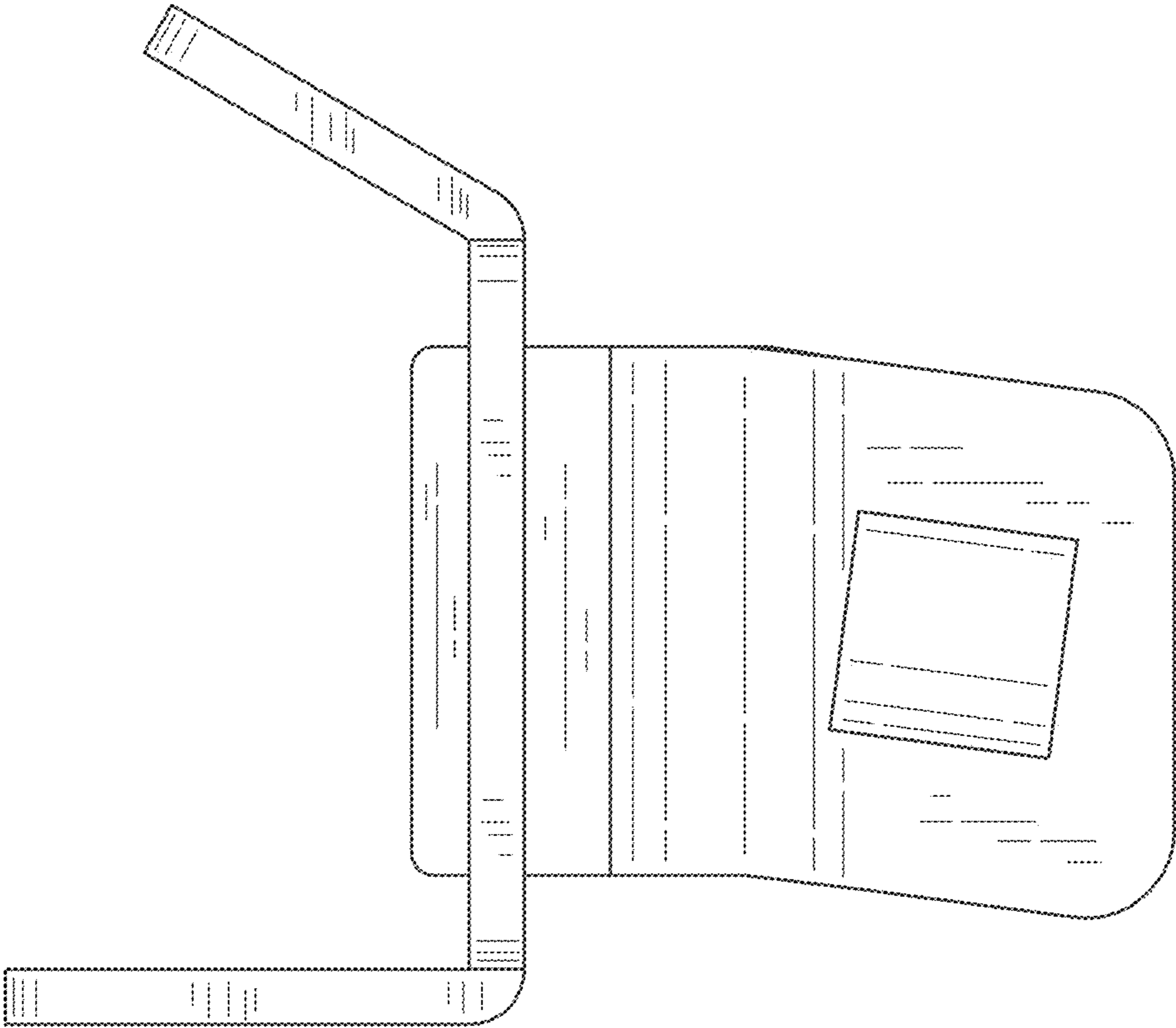


FIG.6

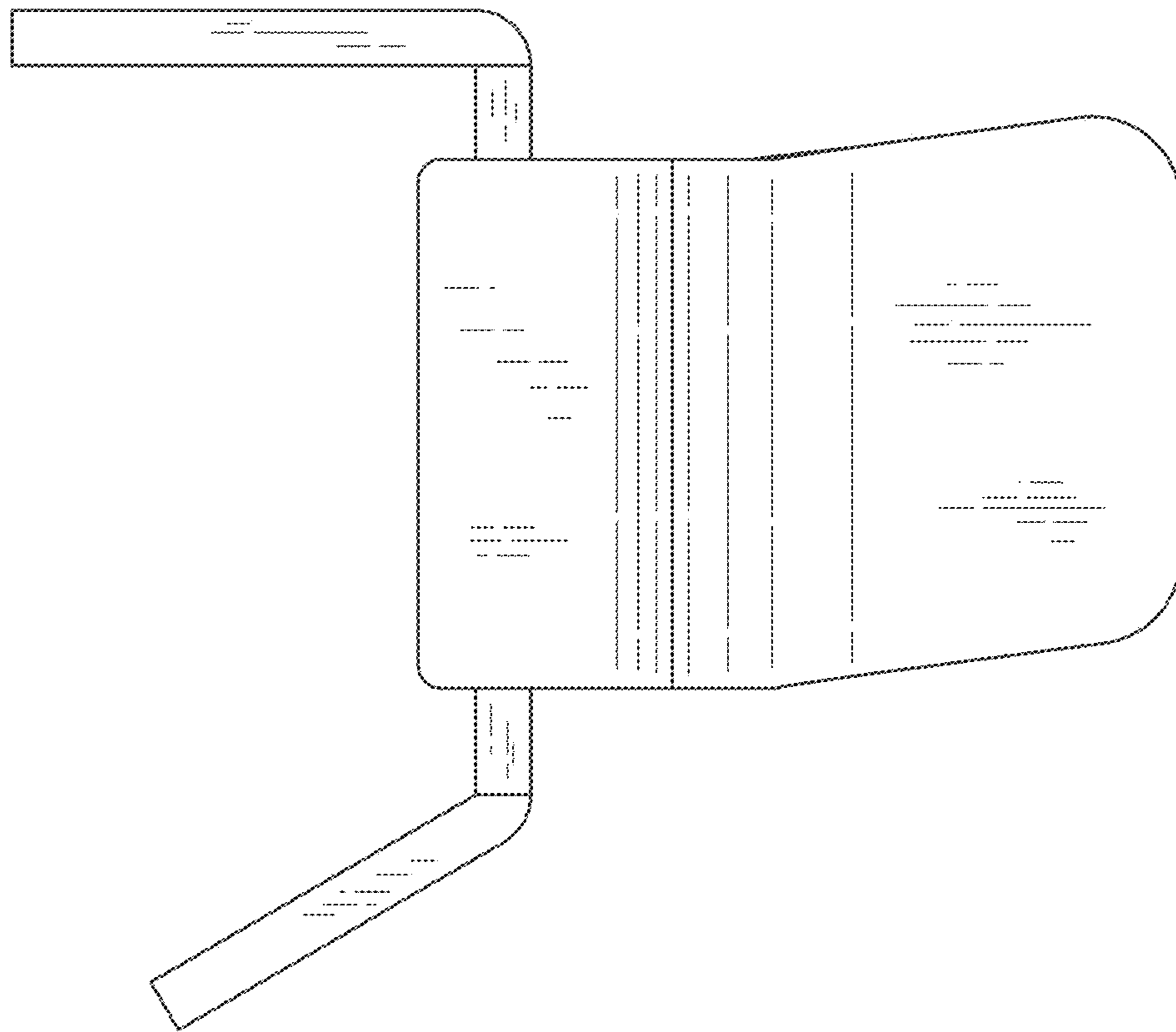


FIG.7