

US00D964254S

(12) **United States Design Patent**
Huang

(10) **Patent No.:** **US D964,254 S**
(45) **Date of Patent:** **** Sep. 20, 2022**

- (54) **BICYCLE CARRIER**
- (71) Applicant: **YOTTA INNOVATION CO., LTD.**,
Apia (WS)
- (72) Inventor: **Stella Huang**, Taipei (TW)
- (73) Assignee: **YOTTA INNOVATION CO., LTD.**,
Apia (WS)
- (**) Term: **15 Years**
- (21) Appl. No.: **29/776,243**
- (22) Filed: **Mar. 29, 2021**
- (51) **LOC (13) Cl.** **12-11**
- (52) **U.S. Cl.**
USPC **D12/407; D12/408**
- (58) **Field of Classification Search**
USPC **D12/407, 408, 406, 402, 412, 414, 115**
CPC .. **B60R 9/06; B60R 9/10; B60R 9/045; B60R**
9/048
See application file for complete search history.

2008/0099522	A1 *	5/2008	Clausen	B60R 9/06	224/519
2008/0164292	A1 *	7/2008	Farney	B60R 9/10	224/324
2008/0230579	A1 *	9/2008	Wang	B60R 9/10	224/400
2009/0120984	A1 *	5/2009	Sautter	B60R 9/10	224/532
2010/0230455	A1 *	9/2010	Wang	B60R 9/06	224/533
2010/0320247	A1 *	12/2010	Wang	B60R 9/10	224/567

(Continued)

OTHER PUBLICATIONS

Hyperax Volt eco—2 E Bike Mounted Bike Rack Carrier—for 2-inch Hitch—Up to 2x60 lbs MTBs, EBikes, Road Bikes with up to 5-inch Fat Tires—Suitable for SUV, Trucks, Sedan, No RV Use!; Nov. 13, 2021; <https://www.amazon.com/Hyperax-Volt-eco-Mounted-Suitable/dp/B094MTXKJS>; 11 Pgs. (Year: 2021).*

Primary Examiner — Michelle E. Wilson
Assistant Examiner — Clese Moore, Jr.
(74) *Attorney, Agent, or Firm* — Muncy, Geissler, Olds & Lowe, P.C.

(56) **References Cited**

U.S. PATENT DOCUMENTS

6,047,869	A *	4/2000	Chiu	B60R 9/06	224/493
D430,533	S *	9/2000	Peschmann	D12/408	
D628,141	S *	11/2010	Weaver	D12/408	
D669,016	S *	10/2012	Pozzi	D12/408	
D672,704	S *	12/2012	Grago	D12/408	
D706,209	S *	6/2014	Flaherty	D12/407	
D788,019	S *	5/2017	Kuschmeader	D12/408	
9,649,986	B2 *	5/2017	Pedrini	B60R 9/10	
9,802,549	B1 *	10/2017	Shen	B60R 9/10	
D817,256	S *	5/2018	Adler	D12/408	
10,183,627	B1 *	1/2019	Liu	B60R 9/06	
D877,685	S *	3/2020	Larsson	D12/406	
10,906,473	B1 *	2/2021	Yu	B60R 9/06	
2006/0060622	A1 *	3/2006	Prenger	B60R 9/10	224/924

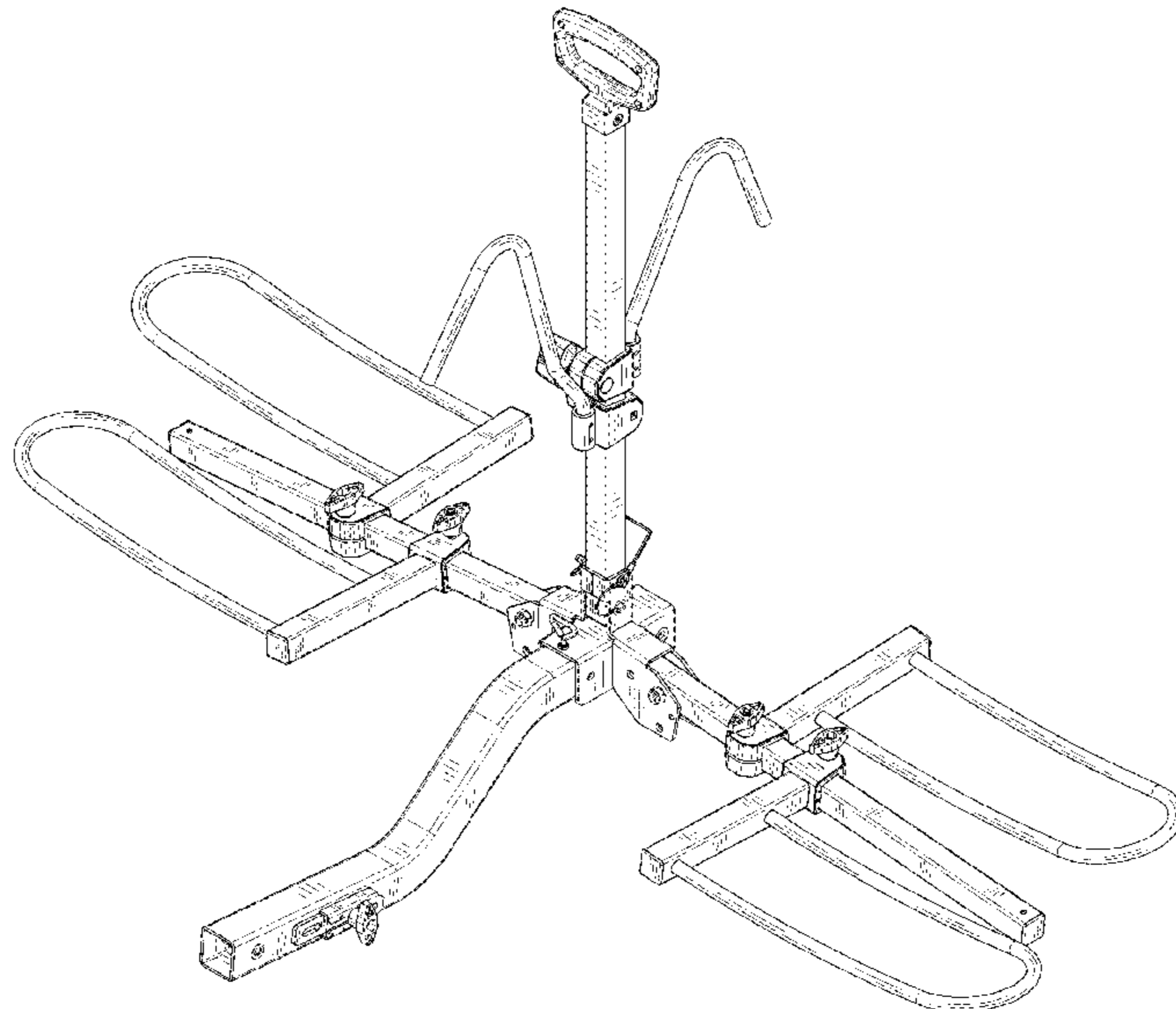
(57) **CLAIM**

I claim the ornamental design for a bicycle carrier, as shown and described.

DESCRIPTION

FIG. 1 is a top, front, and right perspective view of a bicycle carrier showing my new design; FIG. 2 is a front elevational view thereof; FIG. 3 is a rear elevational view thereof; FIG. 4 is a left side view thereof; FIG. 5 is a right side view thereof; FIG. 6 is a top plan view thereof; and, FIG. 7 is a bottom plan view.

1 Claim, 7 Drawing Sheets



(56)

References Cited

U.S. PATENT DOCUMENTS

2011/0011909	A1*	1/2011	Liu	B60R 9/10 224/523
2013/0062383	A1*	3/2013	Jeli	B60R 9/10 224/549
2013/0062487	A1*	3/2013	Liu	B60R 9/10 248/297.31
2017/0349111	A1*	12/2017	Ramsdell	B60R 9/06
2018/0072237	A1*	3/2018	Kuschmeader	B60R 9/10
2018/0134229	A1*	5/2018	Shen	B60R 9/06

* cited by examiner

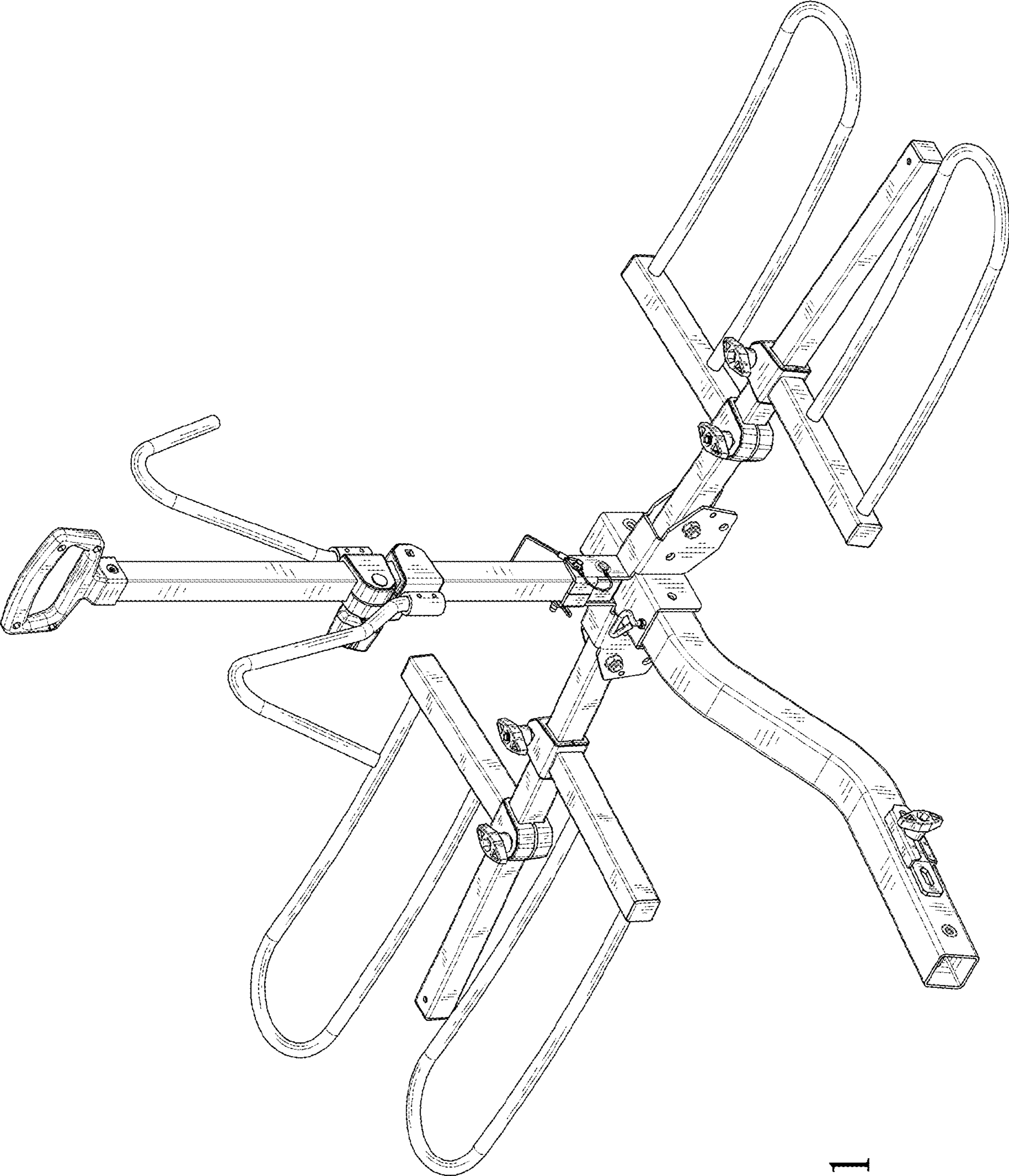


FIG. 1

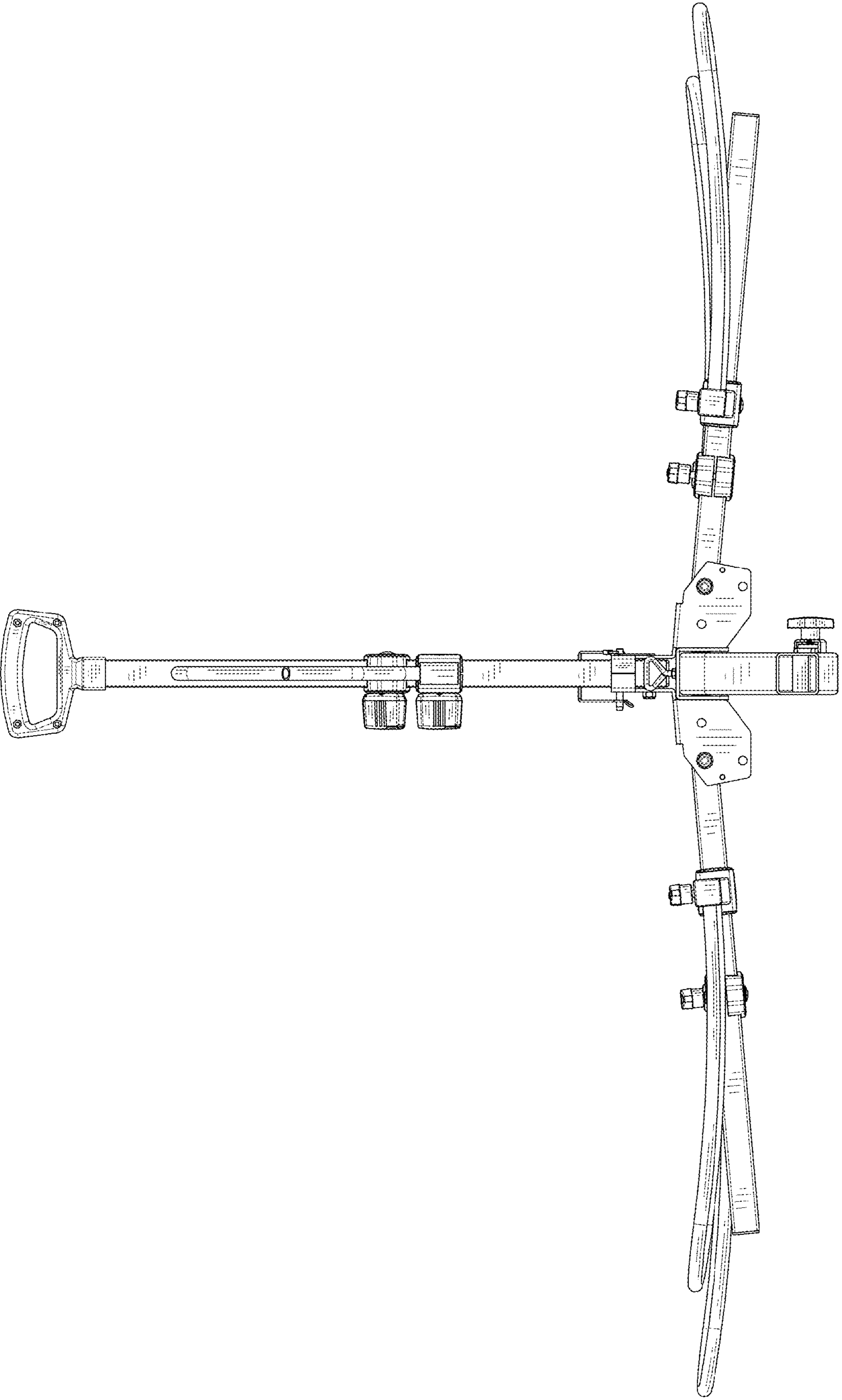


FIG. 2

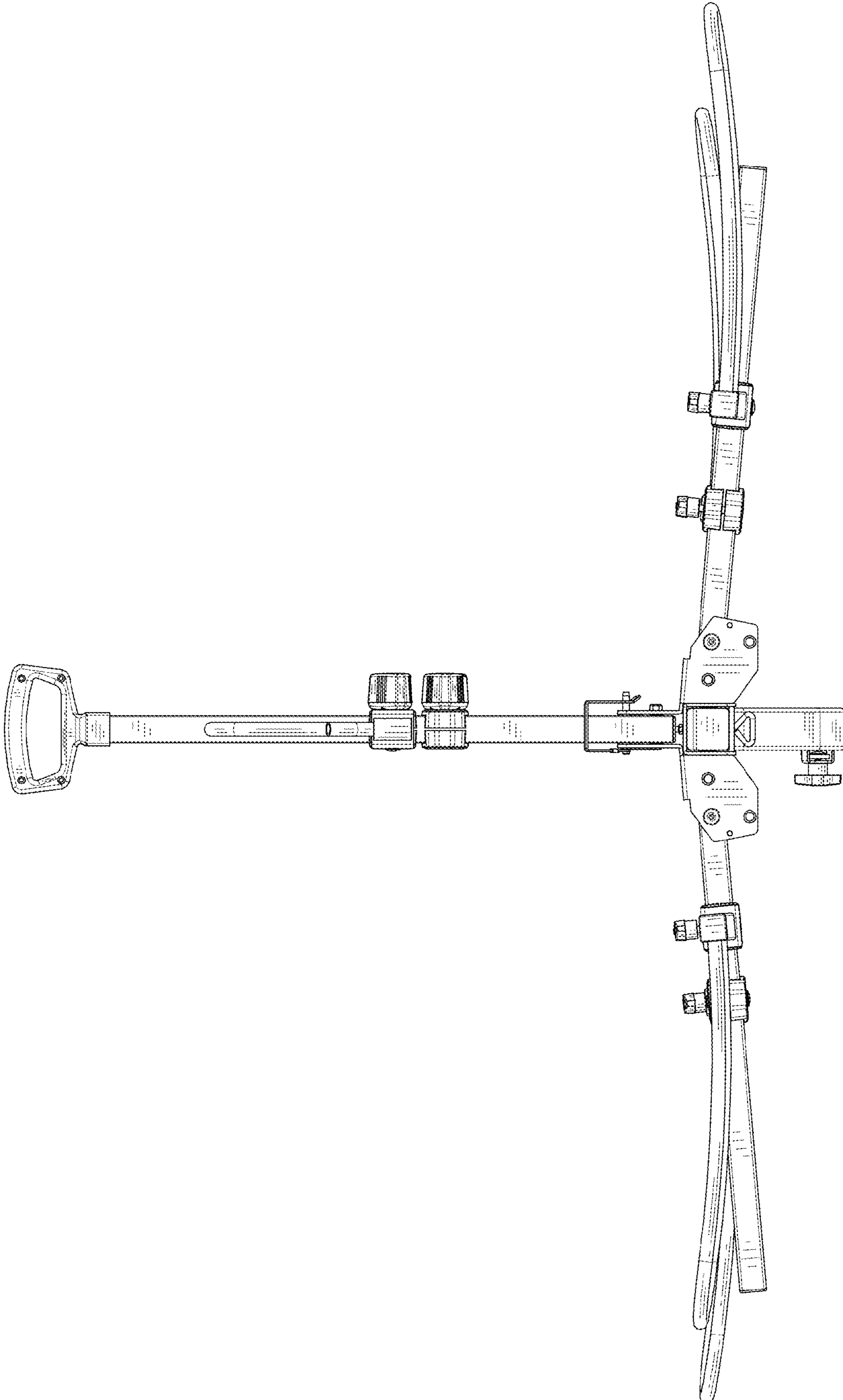


FIG. 3

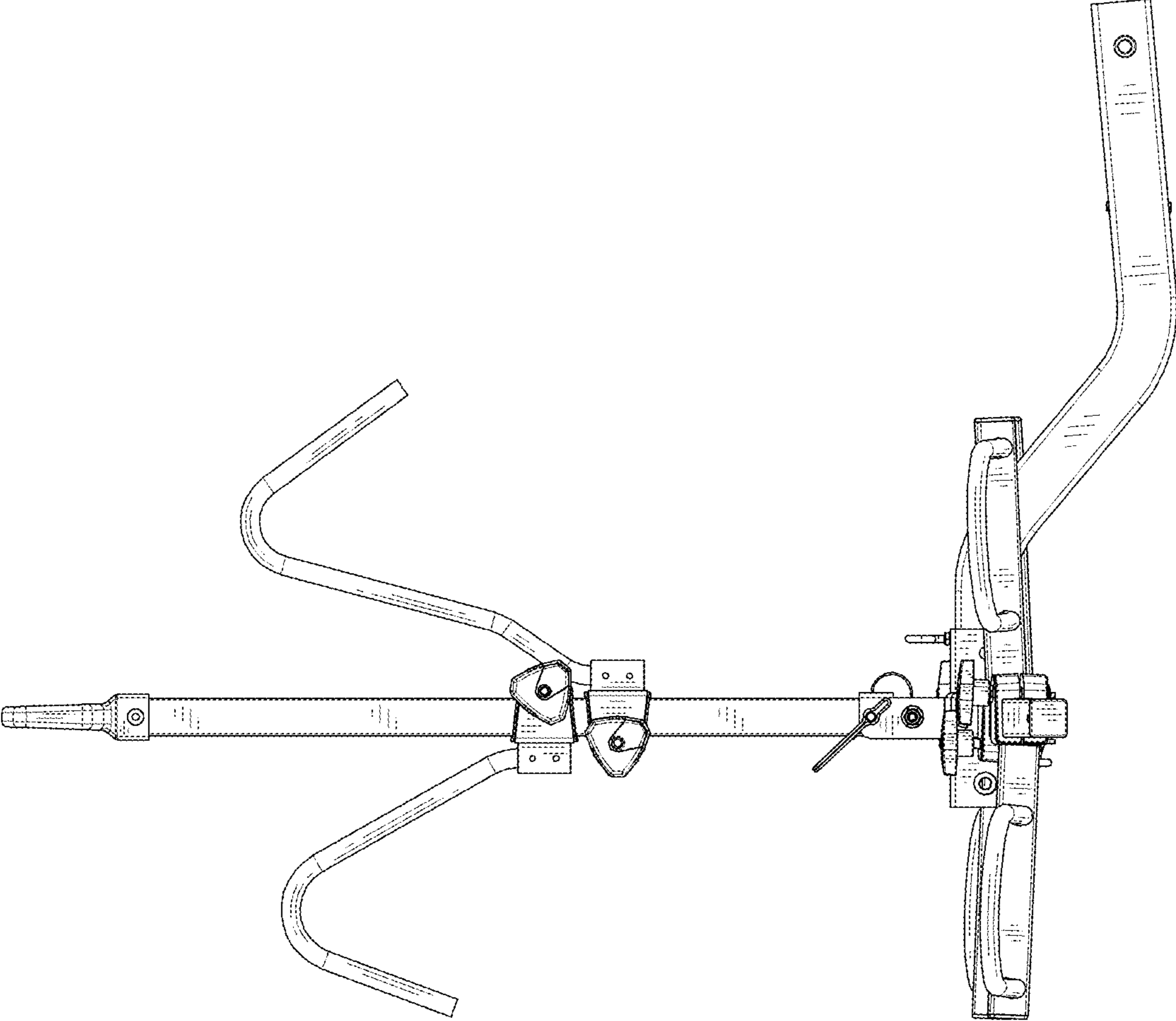


FIG. 4

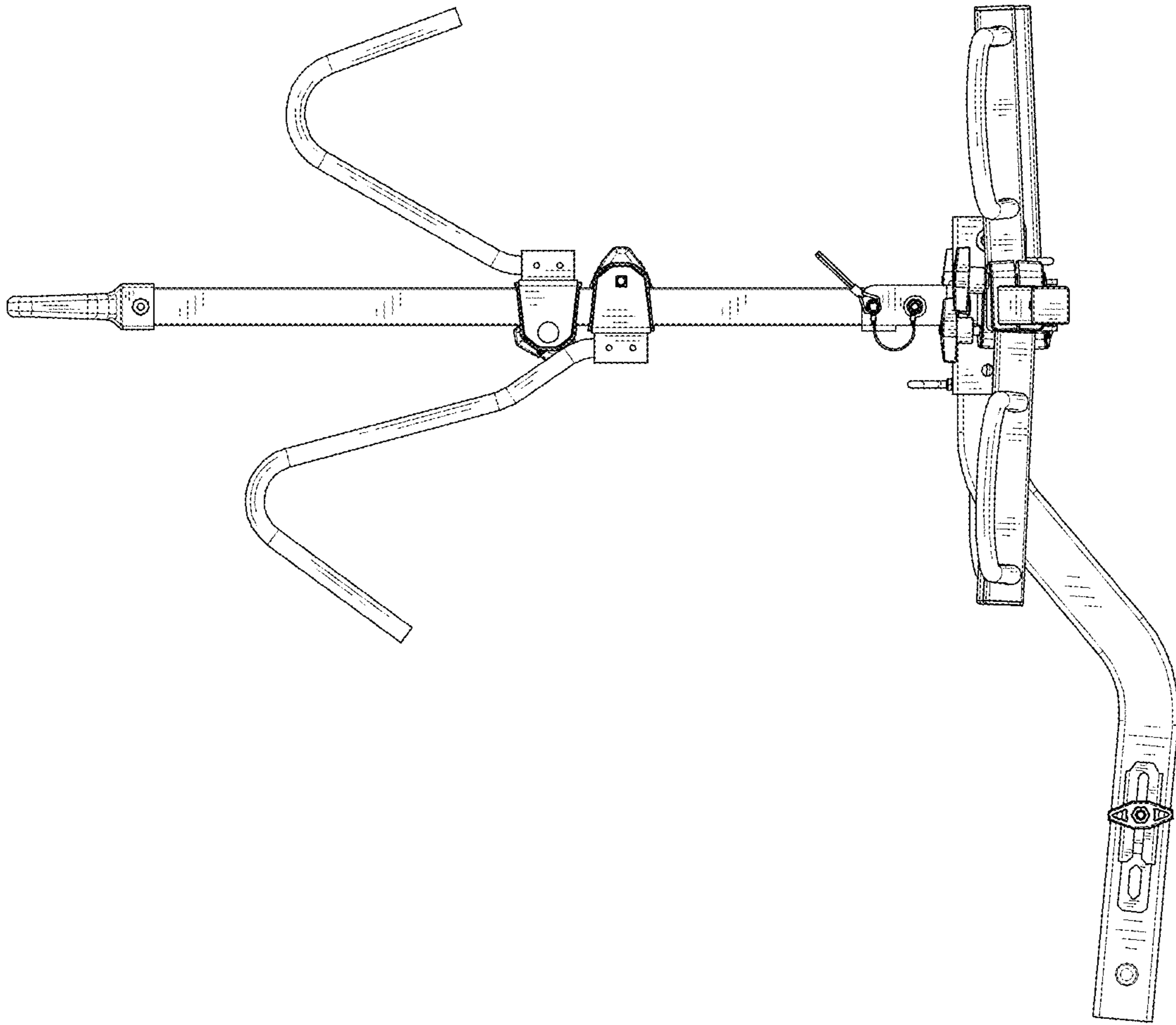


FIG. 5

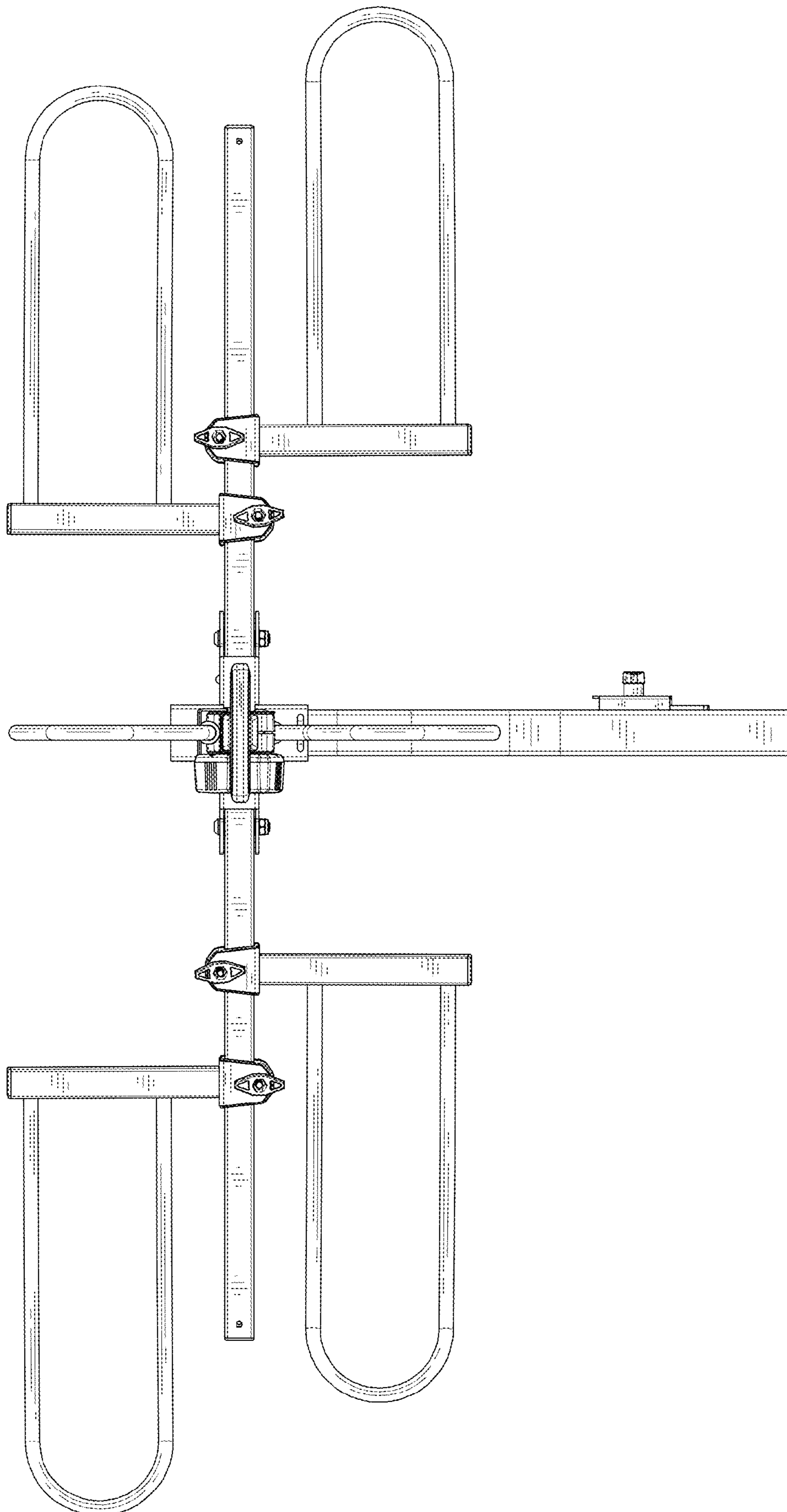


FIG. 6

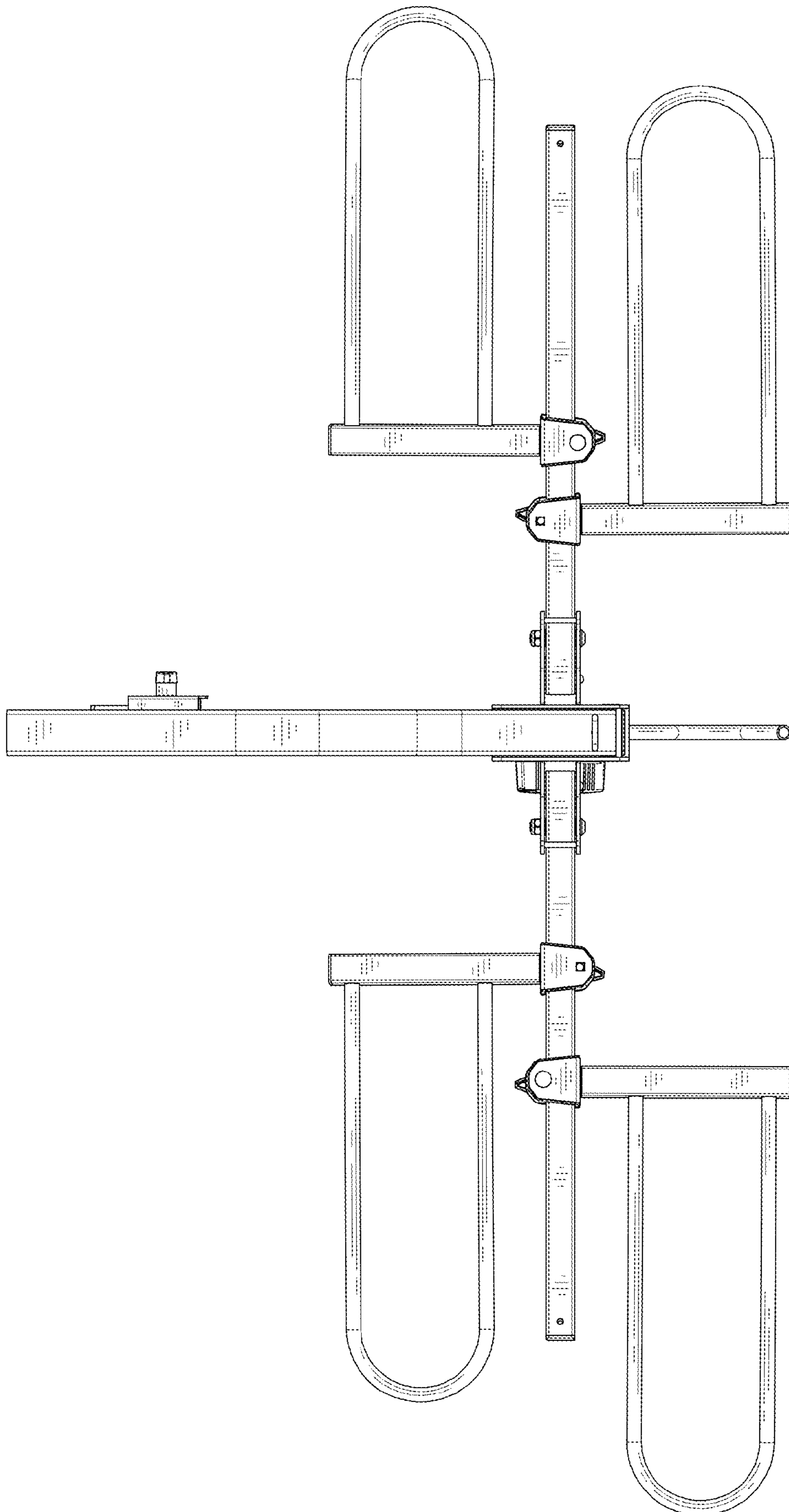


FIG. 7