

US00D964252S

(12) **United States Design Patent** Emerson et al. (10) **Patent No.:** **US D964,252 S** (45) **Date of Patent:** **\*\* Sep. 20, 2022**

(54) **TRUCK CAP**  
(71) Applicant: **A.R.E. ACCESSORIES LLC**, Ann Arbor, MI (US)  
(72) Inventors: **Tate Matthew Emerson**, Wooster, OH (US); **Todd Dreher**, Orrville, OH (US); **Christian A. Watson**, Canton, OH (US); **Bryan Baker**, Massillon, OH (US); **Todd A. Hoffman**, Canton, OH (US); **Robert Mosingo**, Saline, MI (US)

D665,722 S 8/2012 Fujita  
D678,173 S \* 3/2013 McIntire ..... D12/401  
D693,288 S \* 11/2013 Martinez ..... D12/401  
D723,450 S \* 3/2015 Holubar ..... D12/401  
D728,450 S \* 5/2015 Yen ..... D12/401  
D731,952 S \* 6/2015 Larson ..... D12/404  
D765,013 S 8/2016 Hindelang  
D775,056 S \* 12/2016 Wheel ..... D12/404  
D833,366 S \* 11/2018 Dowdey ..... D12/401  
D847,078 S 4/2019 Rolfs  
D852,725 S 7/2019 Feng  
D857,609 S \* 8/2019 Rohr ..... D12/401

(Continued)

(73) Assignee: **A.R.E. ACCESSORIES LLC**, Ann Arbor, MI (US)

(\*\*) Term: **15 Years**

(21) Appl. No.: **29/770,974**

(22) Filed: **Feb. 18, 2021**

**OTHER PUBLICATIONS**

“New 2017 GMC Yukon Denali 4WD”, Cochran.com, Buick GMC Monroeville., last accessed Dec. 12, 2018.

(Continued)

*Primary Examiner* — Katrina A Betton

(74) *Attorney, Agent, or Firm* — The Dobrusin Law Firm, P.C.; Bryan S. Lemanski

**Related U.S. Application Data**

(62) Division of application No. 29/668,009, filed on Oct. 26, 2018, now Pat. No. Des. 924,779.

(51) **LOC (13) Cl.** ..... **12-13**

(52) **U.S. Cl.**  
USPC ..... **D12/401**

(58) **Field of Classification Search**  
USPC ..... D12/401–405, 181; D6/610, 611, 596, D6/601–603, 615, 617, 621; D7/332, D7/334–337  
CPC ... B60J 7/19; B60J 7/0435; B60J 7/024; B60J 11/04; B60J 1/2091; E04H 15/08  
See application file for complete search history.

(56) **References Cited**

**U.S. PATENT DOCUMENTS**

D326,078 S 5/1992 Rogers  
D574,315 S 8/2008 Swails

(57) **CLAIM**

The ornamental design for a truck cap, as shown and described.

**DESCRIPTION**

FIG. 1 is a perspective view of the present design connected to a vehicle.

FIG. 2 is a perspective view of the present design.

FIG. 3 is a back elevational view of FIG. 2.

FIG. 4 is a front elevational view of FIG. 2.

FIG. 5 is a top elevational view of FIG. 2.

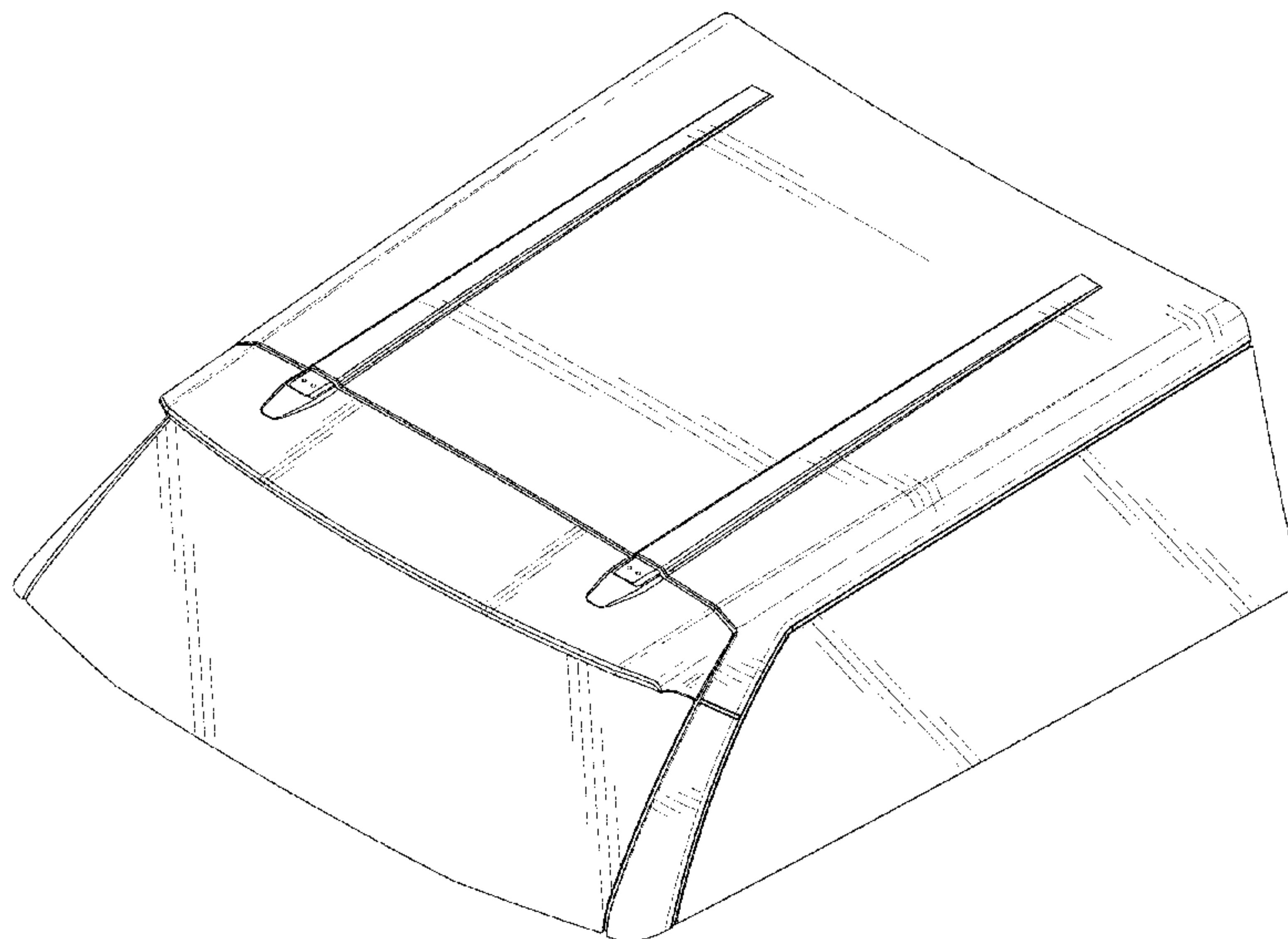
FIG. 6 is a bottom elevational view of FIG. 2.

FIG. 7 is a first side elevational view of FIG. 2; and,

FIG. 8 is a second side elevational view of FIG. 2.

The broken lines which define the bounds of the claimed design form no part thereof and are used to show environmental structure.

**1 Claim, 6 Drawing Sheets**



(56)

**References Cited**

U.S. PATENT DOCUMENTS

D859,282 S	9/2019	Dowdey	
D867,231 S	11/2019	Lascrain	
D924,120 S *	7/2021	Voss .....	D12/401
D924,779 S *	7/2021	Emerson .....	D12/401
D928,694 S *	8/2021	Steinberg .....	B62D 33/0617
			D12/404
D930,550 S *	9/2021	Oliver .....	D12/401
D930,551 S *	9/2021	Suckling .....	D12/401

OTHER PUBLICATIONS

“2018 Land Rover Range Rover Sport Supercharged Dynamic SUV V-8 CYL”, LandroverRoanoake.com, Land Rover Roanoke., last accessed Dec. 12, 2018.

“SnugTop’s Latest Product Updates”, SnugTop, The Perfect Fit, Truck Caps, Tonneau Covers, Camper Shells & Toppers, last accessed Dec. 12, 2018.

“100XQ Sport”, Leer, <http://www.leer.com/100XQ-Sport>, last accessed Dec. 12, 2018.

\* cited by examiner

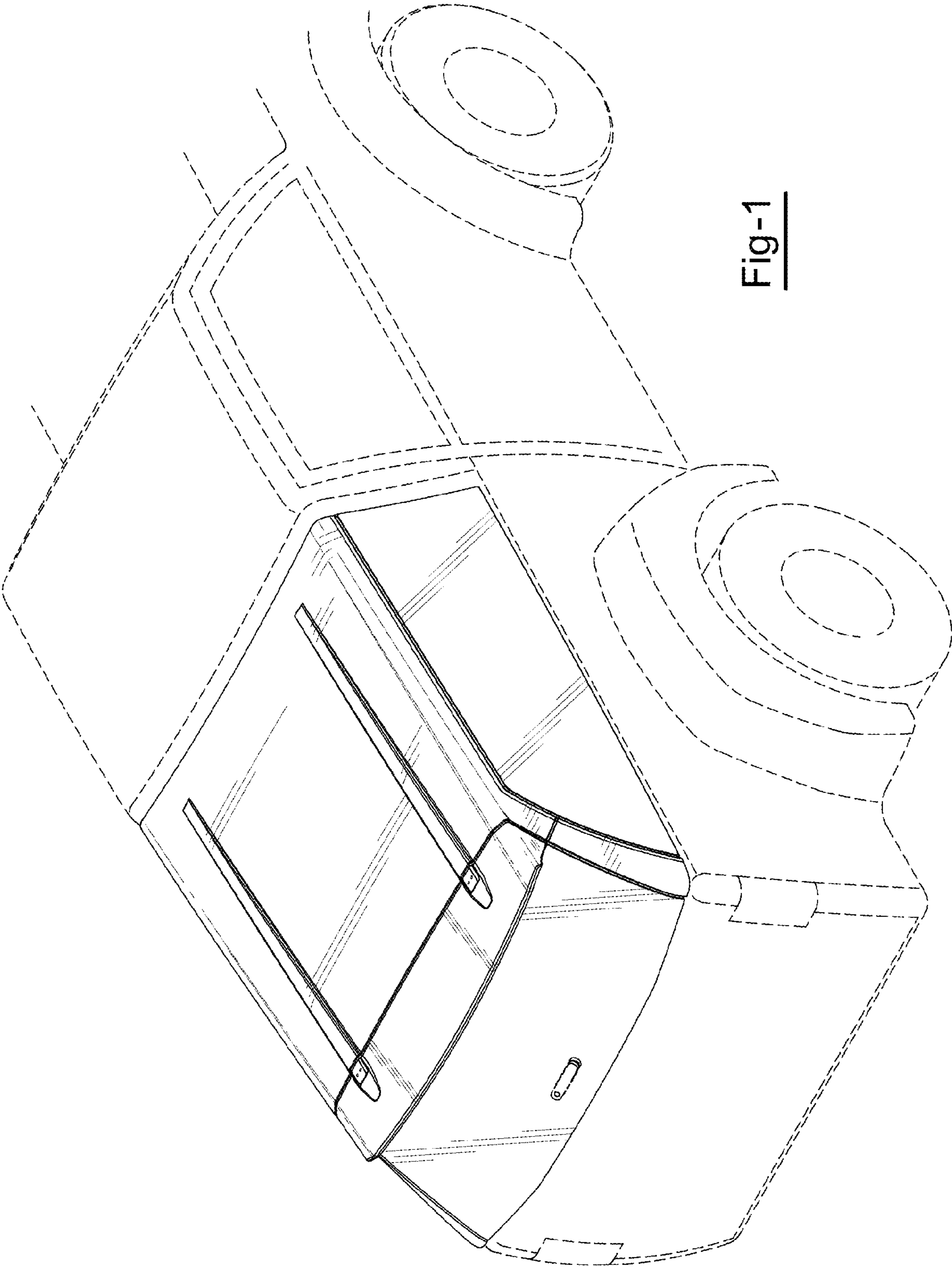


Fig-1



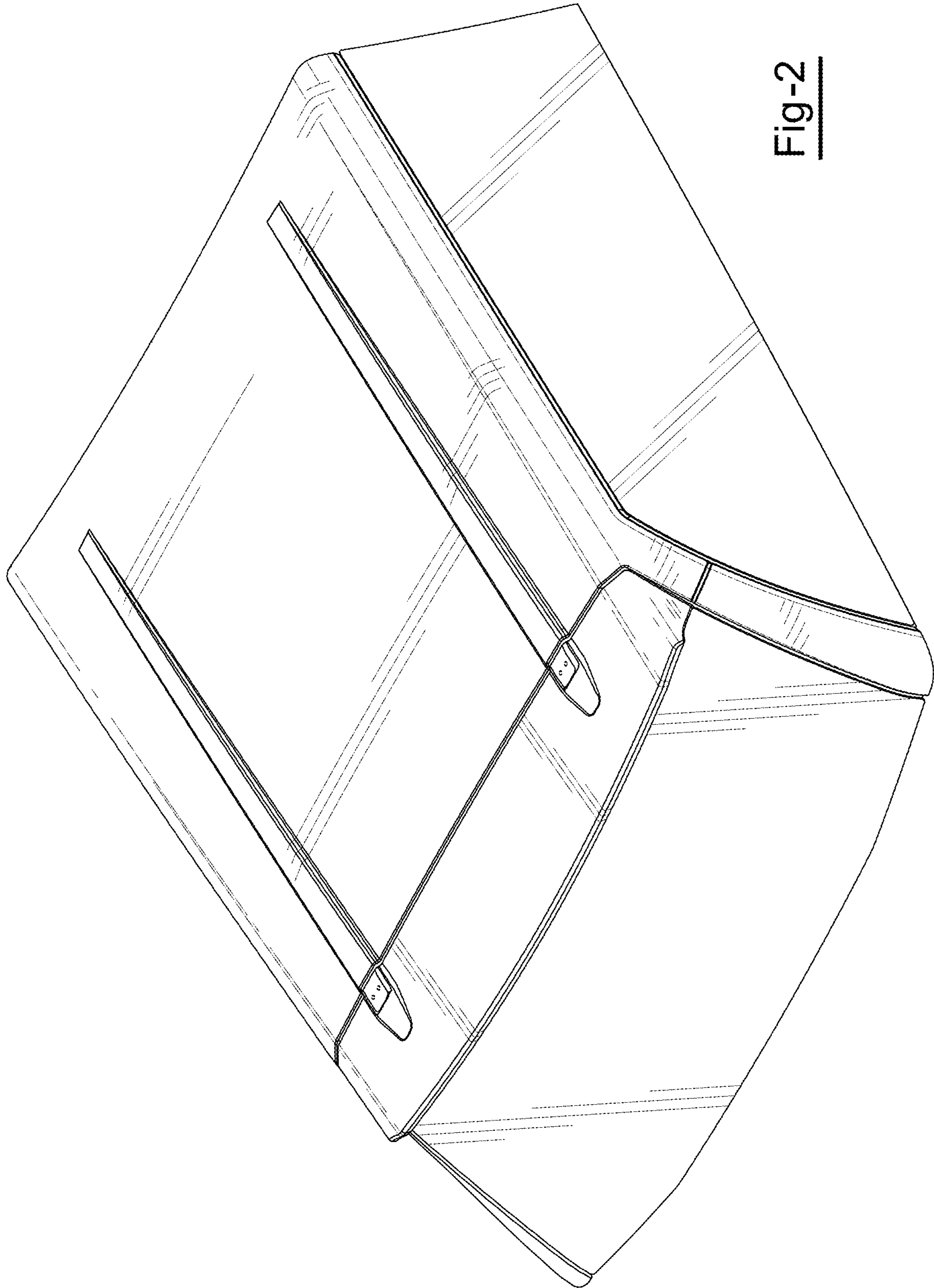


Fig-2

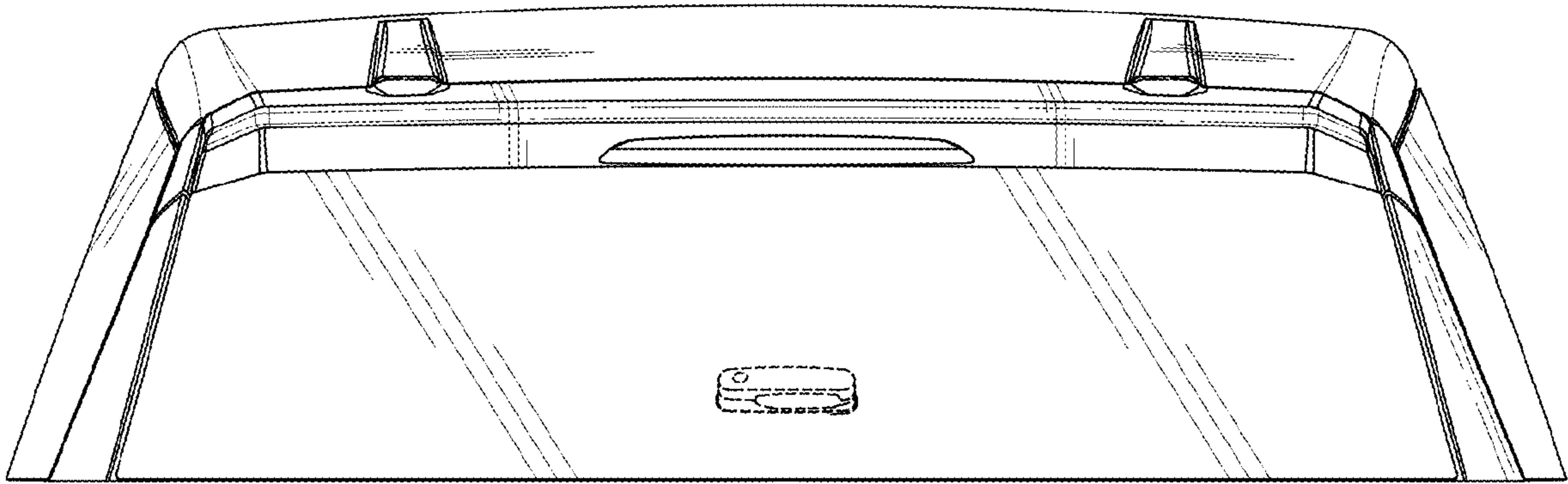


Fig-3

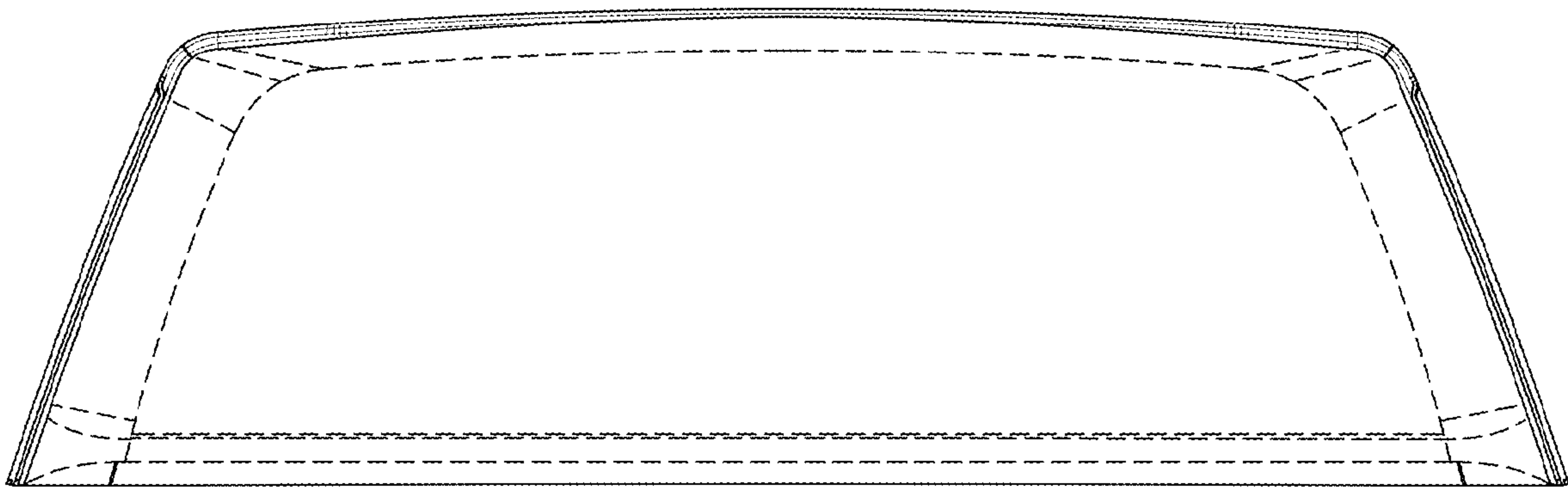


Fig-4

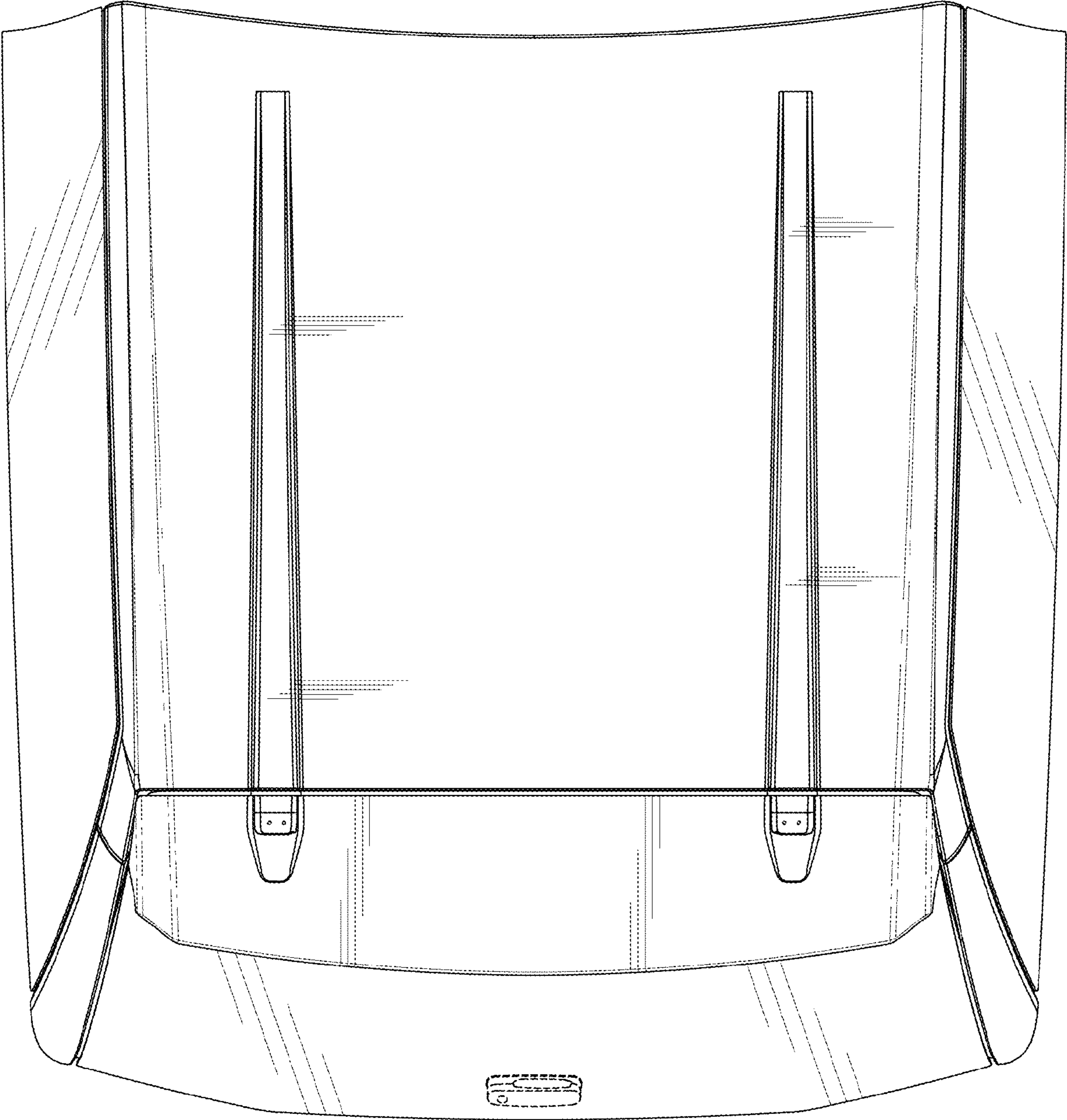


Fig-5

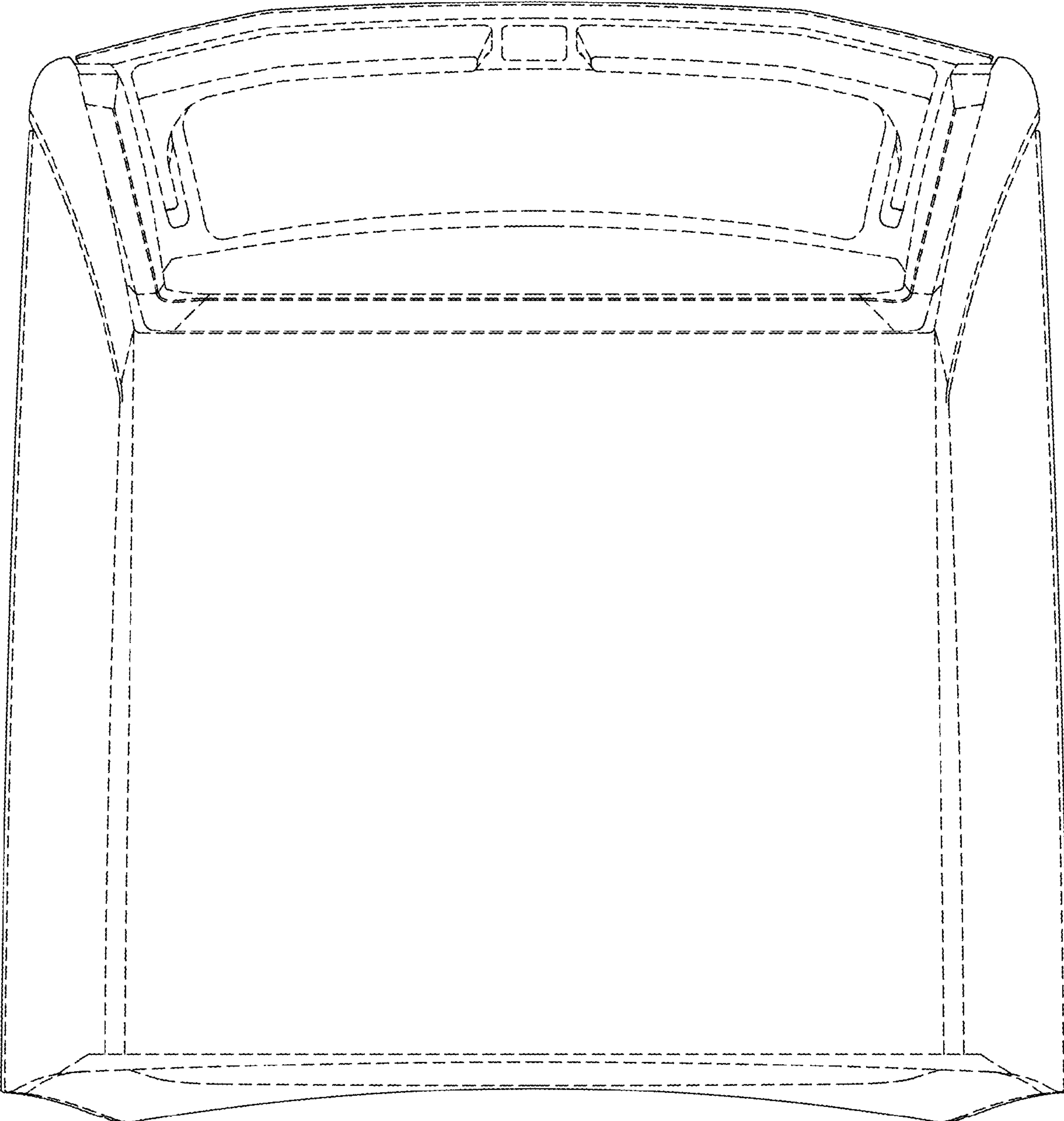


Fig-6



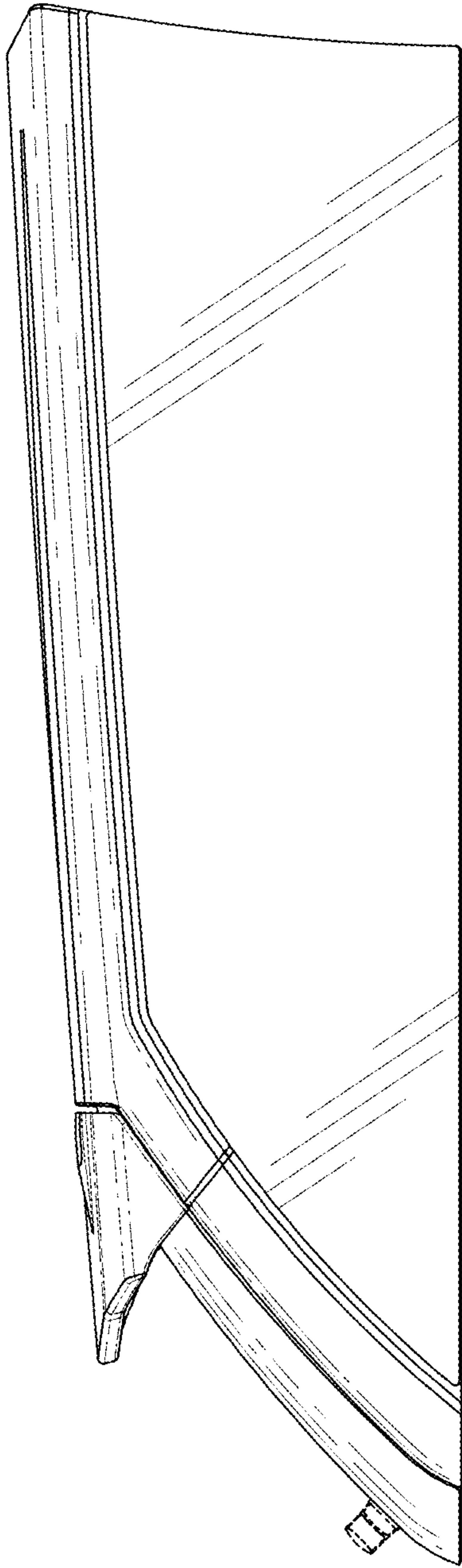


Fig-7

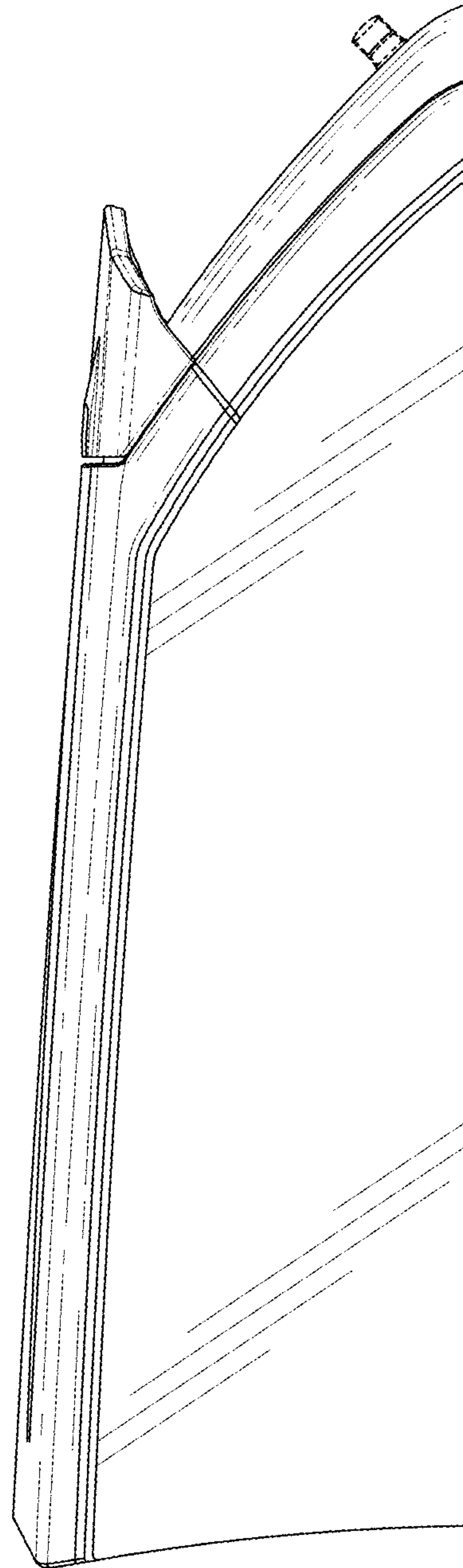


Fig-8