



US00D964251S

(12) **United States Design Patent** (10) **Patent No.:** **US D964,251 S**
Voss (45) **Date of Patent:** **** Sep. 20, 2022**

(54) **STOWABLE TABLE AND FRAME FOR A CANOPY FOR A VEHICLE, TRUCK, LIGHT DELIVERY VEHICLE OR SIMILAR VEHICLE**

(71) Applicant: **Rock Solid Industries International (Pty) Ltd, Pietermaritzburgh (ZA)**

(72) Inventor: **Michael Voss, Pinetown (ZA)**

(73) Assignee: **ROCK SOLID INDUSTRIES INTERNATIONAL (PTY) LTD, Pietermaritzburgh (ZA)**

(**) Term: **15 Years**

(21) Appl. No.: **29/764,723**

(22) Filed: **Dec. 31, 2020**

Related U.S. Application Data

(63) Continuation of application No. 29/681,255, filed on Feb. 22, 2019.

(30) **Foreign Application Priority Data**

Jan. 2, 2019 (ZA) A2019/00013
Jan. 2, 2019 (ZA) A2019/00014
Jan. 2, 2019 (ZA) A2019/00017
Jan. 2, 2019 (ZA) A2019/00018
Feb. 21, 2019 (ZA) A2019/00264
Feb. 21, 2019 (ZA) A2019/00265

(51) **LOC (13) Cl.** **12-16**

(52) **U.S. Cl.**
USPC **D12/401**

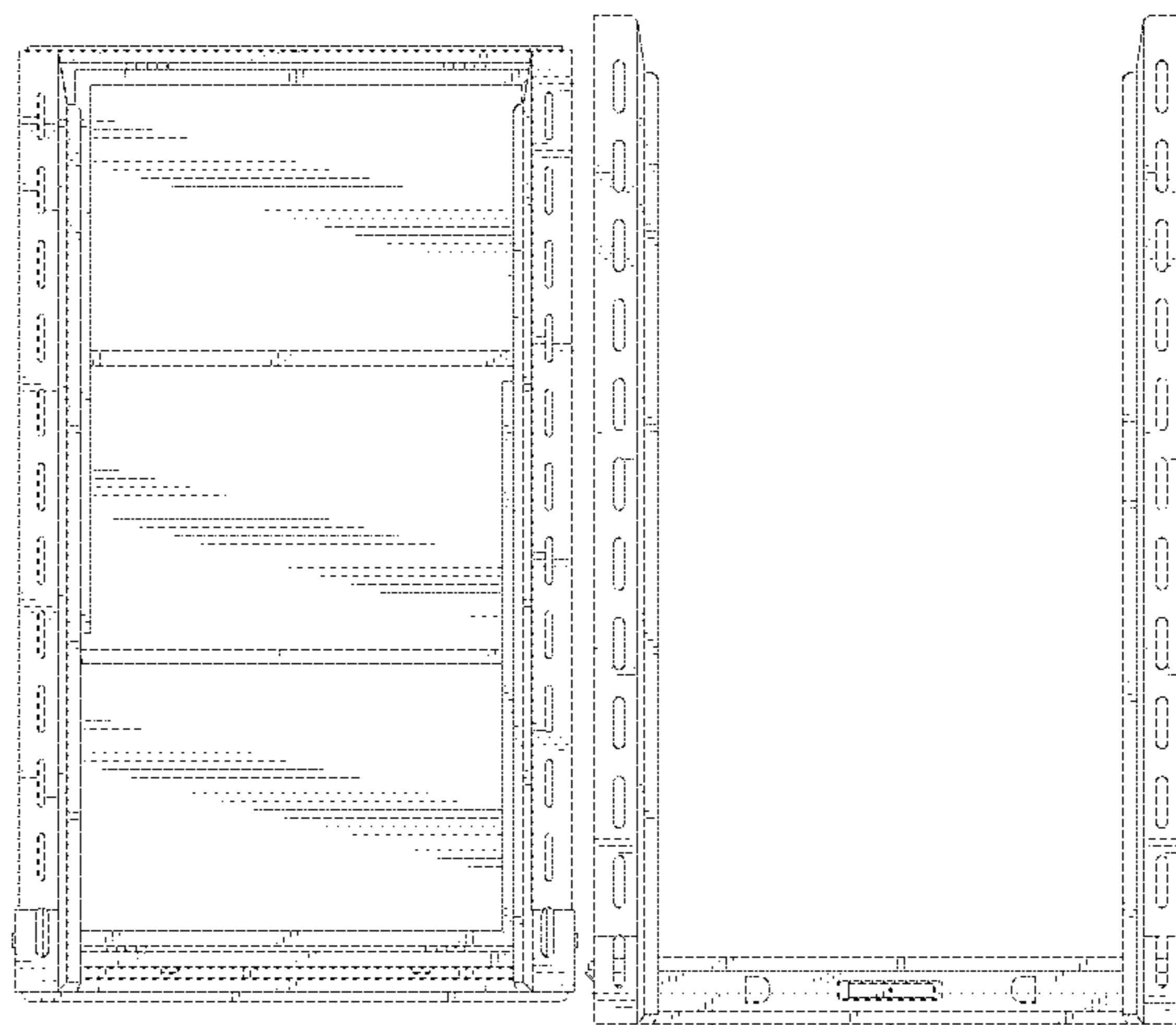
(58) **Field of Classification Search**
USPC D12/401-405, 181; D6/610, 611, 596,
D6/601-603, 615, 617, 621; D7/332,
D7/334-337

CPC ... B60J 7/19; B60J 7/0435; B60J 7/024; B60J
11/04; B60J 1/2091; E04H 15/08
See application file for complete search history.

(56) **References Cited**

U.S. PATENT DOCUMENTS

2,032,630 A 3/1936 Northup
D206,530 S 12/1966 Zell
D211,017 S 5/1968 Willison
D212,744 S 11/1968 Keurst
D232,822 S 9/1974 Knoss et al.
D271,757 S 12/1983 Miller
D290,945 S 7/1987 Geisler
D293,094 S 12/1987 Brown
D298,818 S 12/1988 Silliker
D299,223 S 1/1989 Galvin
D310,806 S 9/1990 Hertzberg
5,072,984 A 12/1991 Jackson
D324,015 S 2/1992 Quiniones
D324,196 S 2/1992 Muth
D325,551 S 4/1992 Quiniones
D326,441 S 5/1992 Rogers
D328,049 S 7/1992 Sturtevant
D328,062 S 7/1992 Burgess
D329,837 S 9/1992 Rogers
D330,182 S 10/1992 Jones
D332,934 S 2/1993 Brown
5,183,310 A 2/1993 Shaughnessy
D335,116 S 4/1993 Reed
D383,432 S 9/1997 Starr
D388,049 S 12/1997 Reardon
D403,652 S 1/1999 Starr
D431,225 S 9/2000 Perlman
D438,168 S 2/2001 Schroeder
D444,445 S 7/2001 Schroeder
D464,606 S 10/2002 Soldatelli
D610,067 S * 2/2010 Frankham D12/404
D623,583 S 9/2010 Girardi
9,150,087 B2 10/2015 Aho
10,252,603 B2 4/2019 Rohr
D857,609 S 8/2019 Rohr
D864,086 S 10/2019 Breece
D881,110 S 4/2020 Herndon
D902,832 S * 11/2020 Anderson D12/401
D924,120 S * 7/2021 Voss D12/401
D924,779 S * 7/2021 Emerson D12/401
D926,105 S * 7/2021 Queener D12/401
D926,666 S * 8/2021 Martin D12/401
D928,693 S * 8/2021 Lettl D12/401
D930,551 S * 9/2021 Suckling D12/401
2010/0327618 A1 * 12/2010 Soldatelli B60J 7/1621
296/100.1
2020/0130485 A1 * 4/2020 Ireland B60J 7/062
2020/0398644 A1 * 12/2020 Voss B60H 3/0641
2021/0114445 A1 * 4/2021 Deckard B60P 7/02



OTHER PUBLICATIONS

SmartCap EVO, www.rsismartcap.com [online], Published on or before Sep. 23, 2020, [retrieved on Sep. 23, 2020]. Retrieved from the Internet: URL: <https://www.rsismartcap.com/products/smartcap-evo> (Year: 2020).

EVO Sport_RSI SmartCap, www.rsismartcanopy.com [online]. Published on or before Oct. 4, 2020, [retrieved on Oct. 4, 2020]. Retrieved from the Internet: URL: <https://www.isismartcanopy.com/evo-leisure> (Year: 2020).

RLD Design, www.riddesignusa.com [online]. Published on or before Oct. 4, 2020, [retrieved on Oct. 4, 2020]. Retrieved from the Internet: URL: <https://www.riddesignusa.com/p/toyota/tacoma/tacoma-truck-cap-canopy/> (Year: 2020).

SmartCanopy—You Tube [online] [retrieved Jun. 26, 2019]. Retrieved from the Internet: <https://www.youtube.com/user/RockSolidIndustries1/videos>. (undated) 3 pages.

RSI SmartCanopy®—Leisure Canopy—YouTube [online] [retrieved Jun. 26, 2019]. Retrieved from the Internet: https://www.youtube.com/watch?v=Rrt_o41CQI. (dated Mar. 7, 2017) 1 page.

Leisure RSI SmartCanopy (Short Clip)—YouTube [online] [retrieved Jun. 26, 2019]. Retrieved from the Internet: https://www.youtube.com/watch?v=_b2jhIw032E. (dated Jun. 14, 2017) 1 page.

Rock Solid Industries (RSI) company profile—SA 4x4 [online] [retrieved Jun. 26, 2019]. Retrieved from the Internet: <https://www.sa4x4.co.za/rock-solid-industries/>. (dated 2019) 11 pages.

RSI SmartCanopy® RSI Smartkitchen® Information Guide [online] [retrieved Jun. 26, 2019]. Retrieved from the Internet: [https://smartcanopy.co.za/PDF/RSI-SMARTKITCHEN-Information-Guide-\(WEB\).pdf](https://smartcanopy.co.za/PDF/RSI-SMARTKITCHEN-Information-Guide-(WEB).pdf) (undated) 1 page.

RSI SmartKitchen Unit: Quick Demo | FaceBook Live Video—YouTube [online] [retrieved Jun. 26, 2019]. Retrieved from the Internet: <https://www.youtube.com/watch?v=nROyOHSoo4M>. (dated Feb. 24, 2017) 1 page.

RSI Smartkitchen®—Accessory Quick Overview—YouTube [online] [retrieved Jun. 26, 2019]. Retrieved from the Internet: <https://www.youtube.com/watch?v=qVALx32RjQI>. (dated May 11, 2018) 1 page.

RSI Smartkitchen®—Accessory—Table Unit—YouTube [online] [retrieved Jun. 26, 2019]. Retrieved from the Internet: <https://www.youtube.com/watch?v=1UY9fJNENk>. (dated May 11, 2018) 1 page.

RSi SmartCanopy® Stainless Steel Canopies & Accessories, 2018 Edition [online] [retrieved Jun. 26, 2019]. Retrieved from the Internet: [https://smartcanopy.co.za/PDF/RSI-SMARTCANOPY-Brochure-April-2018-\(WEB\).pdf](https://smartcanopy.co.za/PDF/RSI-SMARTCANOPY-Brochure-April-2018-(WEB).pdf). (Apr. 2018) 8 pages.

RSi SmartCanopy® Less Standard, More Smart [online] [retrieved Jun. 26, 2019]. Retrieved from the Internet: [https://smartcanopy.co.za/PDF/RSI-SMARTCANOPY-Sales-Brochure-2017-\(WEB\).pdf](https://smartcanopy.co.za/PDF/RSI-SMARTCANOPY-Sales-Brochure-2017-(WEB).pdf). (2017) 4 pages.

RSI Smartkitchen®—Accessory—Side Door Sliding Windows—YouTube [online] [retrieved Jun. 26, 2019]. Retrieved from the Internet: <https://www.youtube.com/watch?v=o4k9gPgZzEA>. (dated May 11, 2018) 1 page.

U.S. Appl. No. 29/681,255, filed Feb. 22, 2019, Pending.

* cited by examiner

Primary Examiner — Katrina A Betton

(74) *Attorney, Agent, or Firm* — Nolan R. Hubbard; K&L Gates LLP

(57)

CLAIM

I claim the ornamental design for a stowable table and frame for a canopy for a vehicle, truck, light delivery vehicle or similar vehicle, as shown and described.

DESCRIPTION

FIG. 1 is a front elevation view of a stowable table and frame for a canopy for a vehicle, truck, light delivery vehicle or similar vehicle of my new design, shown in a stowed configuration within the environment of a canopy for a vehicle, truck, light delivery vehicle or similar vehicle;

FIG. 2 is a bottom plan cross-section view thereof taken along line 2-2;

FIG. 3 is a right side cross section view thereof taken along line 3-3;

FIG. 4 is a perspective view thereof;

FIG. 5 is a front elevation view thereof, shown in an operable configuration within the environment of a canopy for a vehicle, truck, light delivery vehicle or similar vehicle;

FIG. 6 is a bottom plan cross-section view thereof taken along line 6-6;

FIG. 7 is a right side cross section view thereof taken along line 7-7;

FIG. 8 is a perspective view thereof;

FIG. 9 is a right side cross section view thereof taken along line 7-7, shown with the table in a partially extracted position of operable configuration within the environment of a canopy for a vehicle, truck, light delivery vehicle or similar vehicle;

FIG. 10 is a top plan view of a stowable table and frame for a canopy for a vehicle, truck, light delivery vehicle or similar vehicle of my new design, shown in a stowed configuration;

FIG. 11 is a right side elevation view thereof;

FIG. 12 is a front elevation view thereof;

FIG. 13 is a top perspective view thereof;

FIG. 14 is a top plan view thereof, shown in an operable configuration;

FIG. 15 is a right side elevation view thereof;

FIG. 16 is a front elevation view thereof;

FIG. 17 is a top perspective view thereof;

FIG. 18 is a top plan view of a frame for a stowable table for a canopy for a vehicle, truck, light delivery vehicle or similar vehicle of my new design, shown in a stowed configuration;

FIG. 19 is a right side elevation view thereof;

FIG. 20 is a front elevation view thereof;

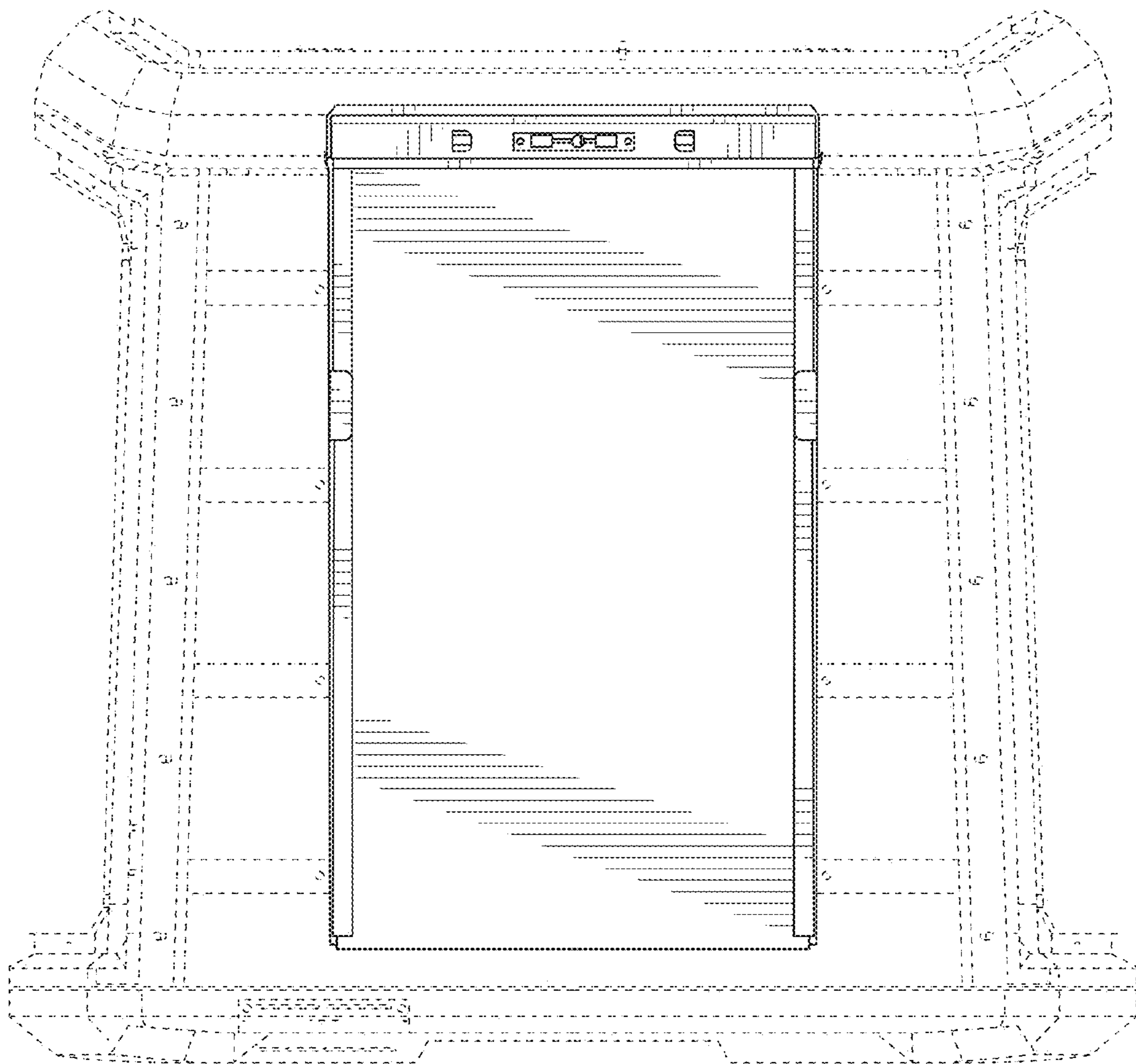
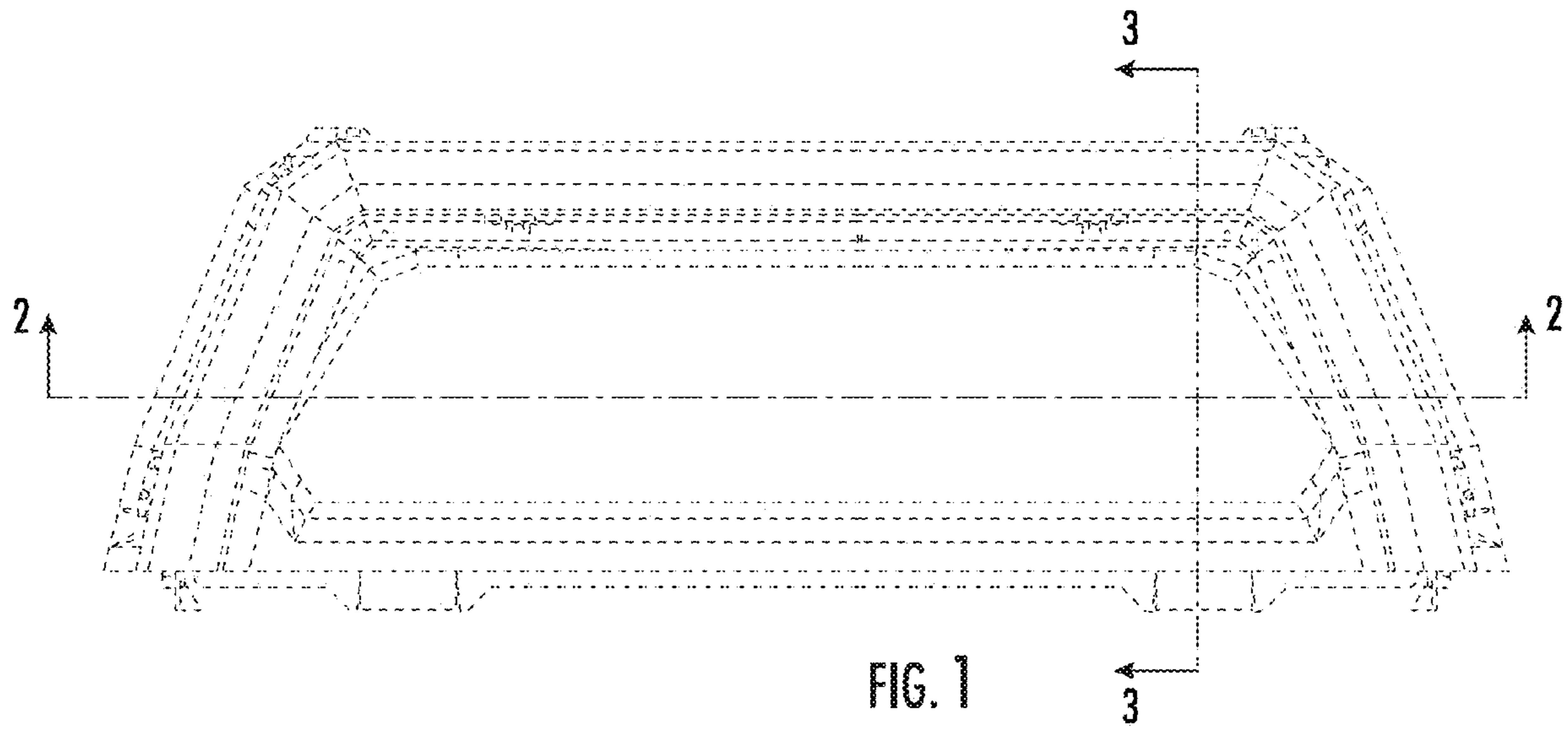
FIG. 21 is a top perspective view thereof;

FIG. 22 is a top perspective view thereof, shown in an operable configuration; and,

FIG. 23 is a bottom perspective view thereof, shown in a stowed configuration.

The broken lines depict environment of a canopy for a vehicle, truck, light delivery vehicle or similar vehicle that form no part of the claimed design.

1 Claim, 13 Drawing Sheets



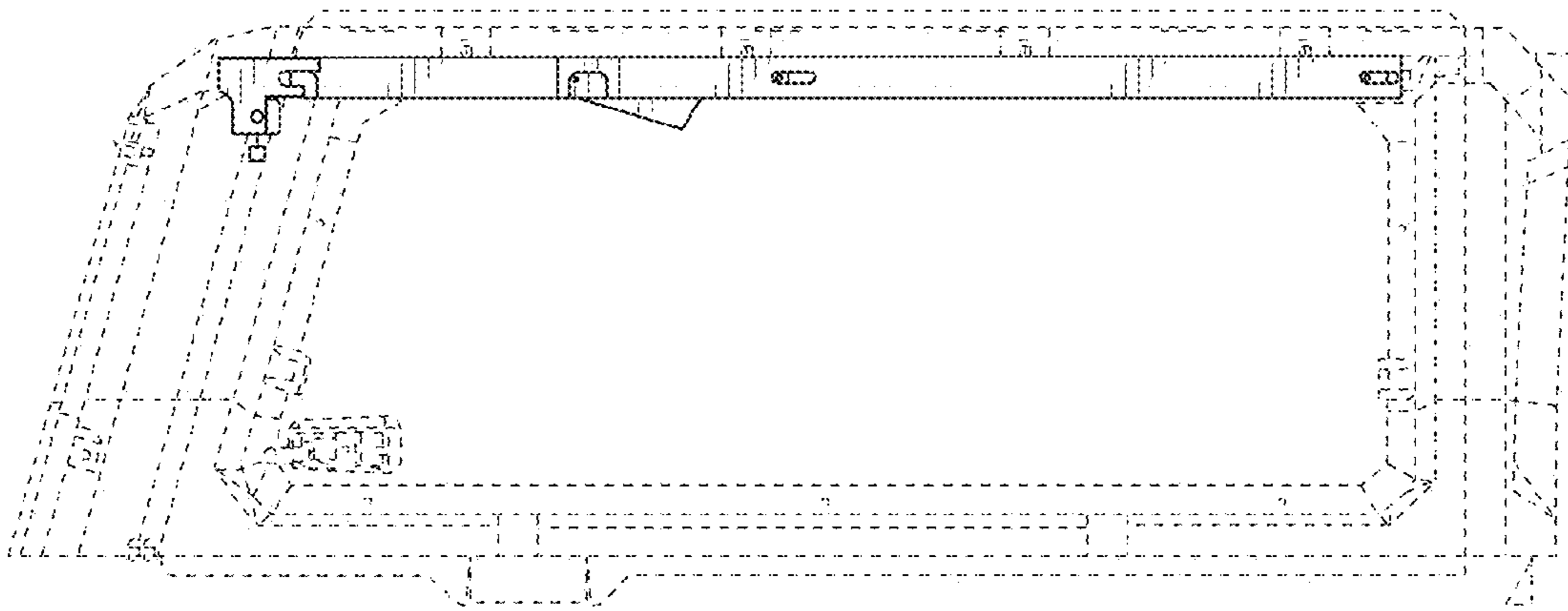


FIG. 3

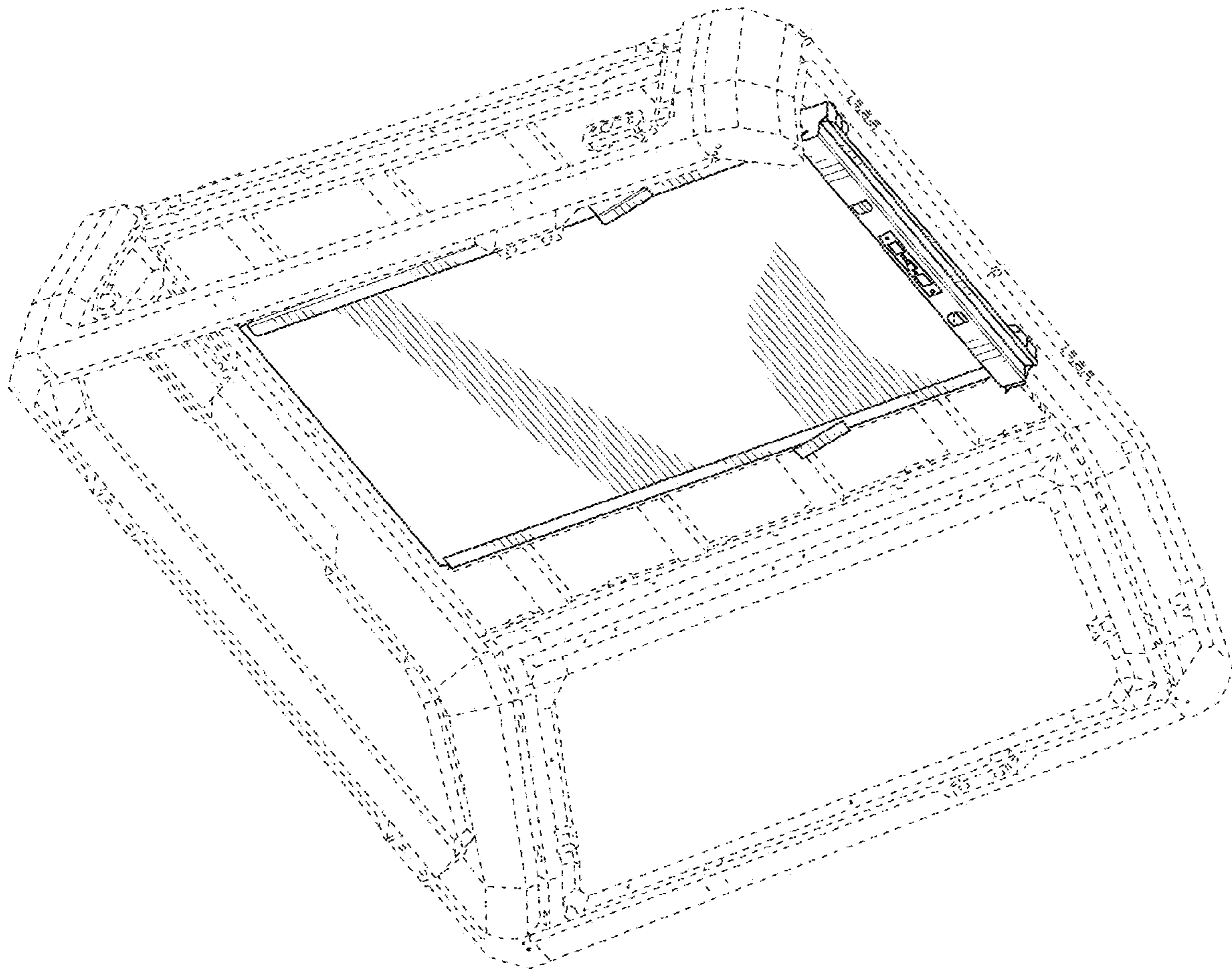


FIG. 4

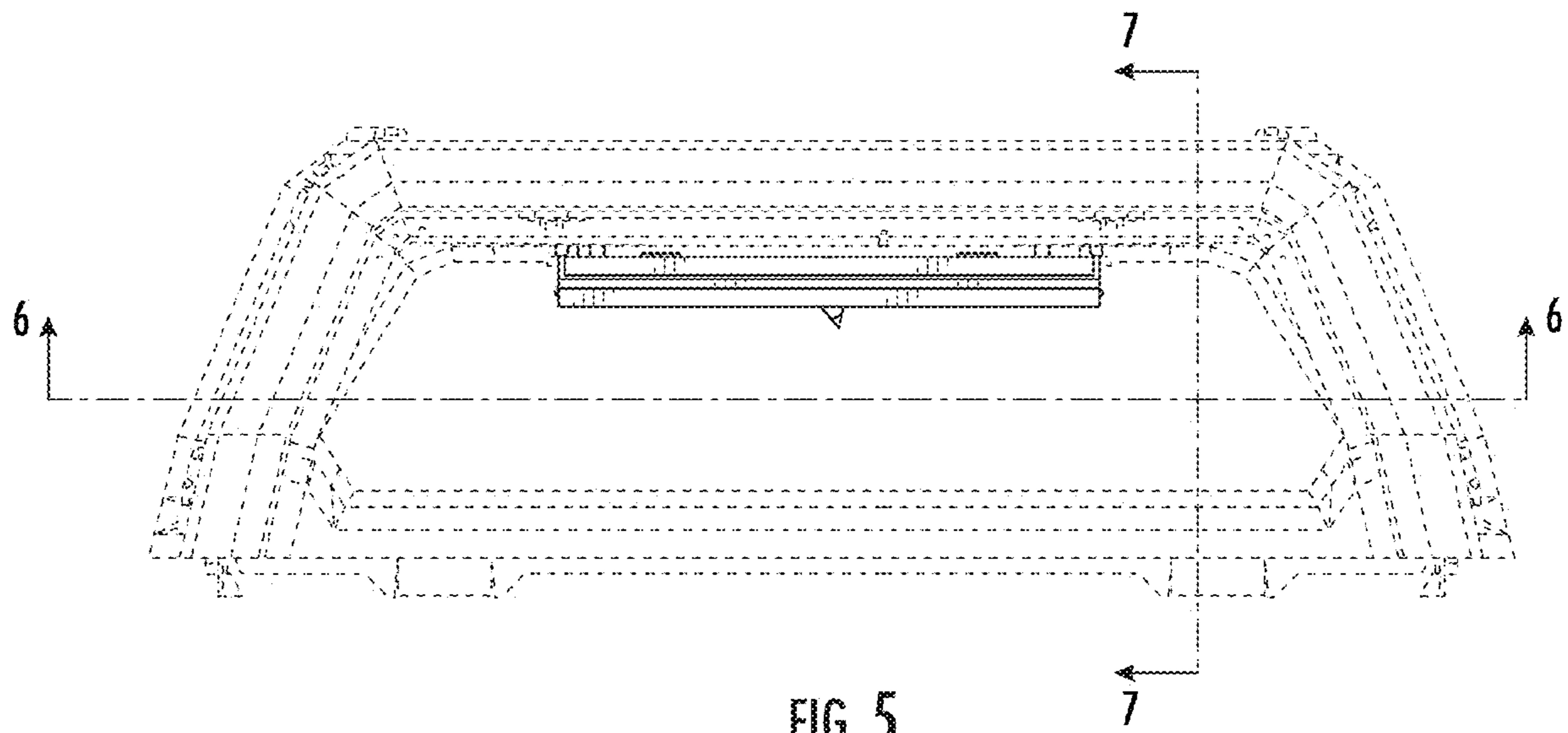


FIG. 5

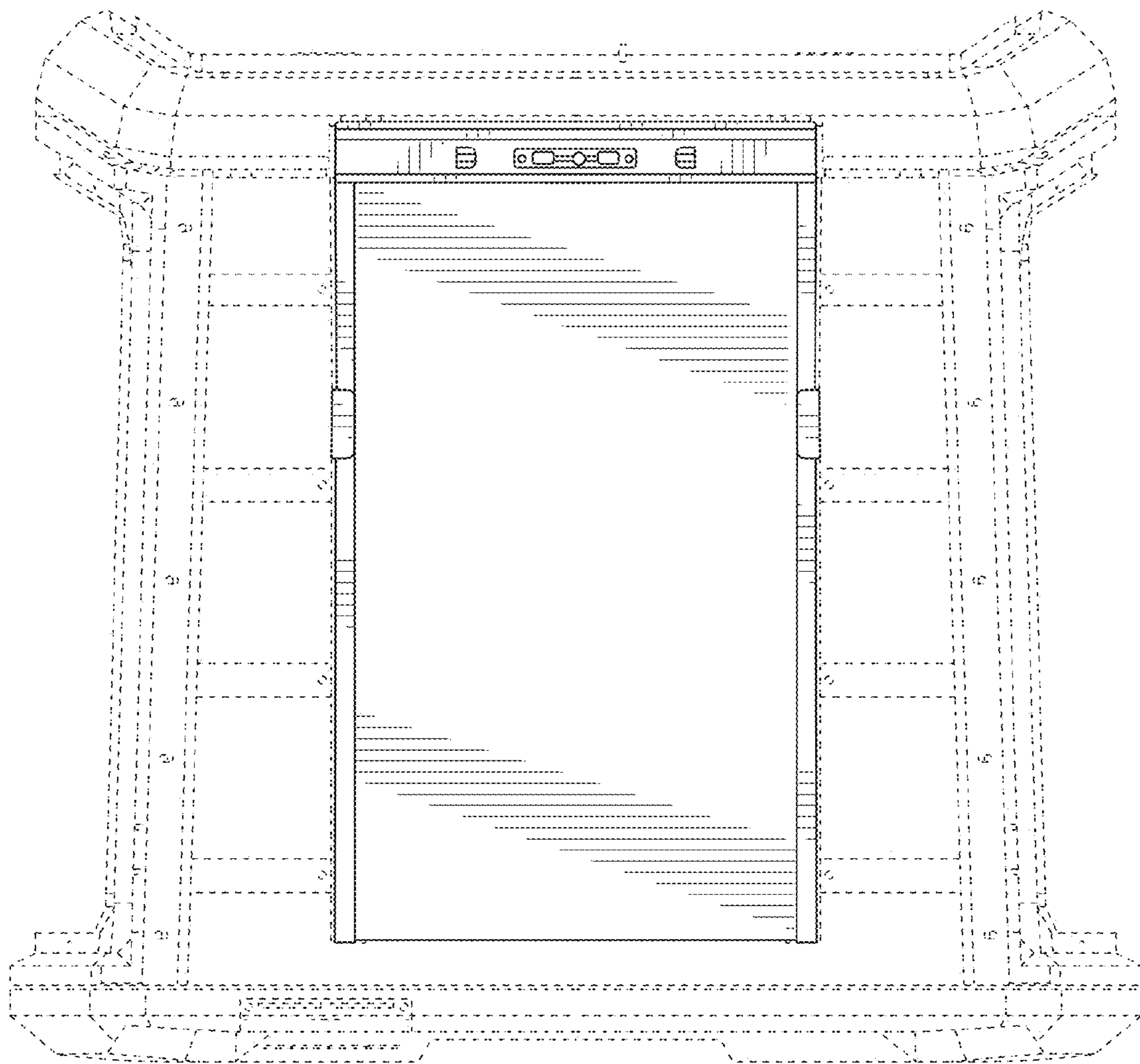


FIG. 6

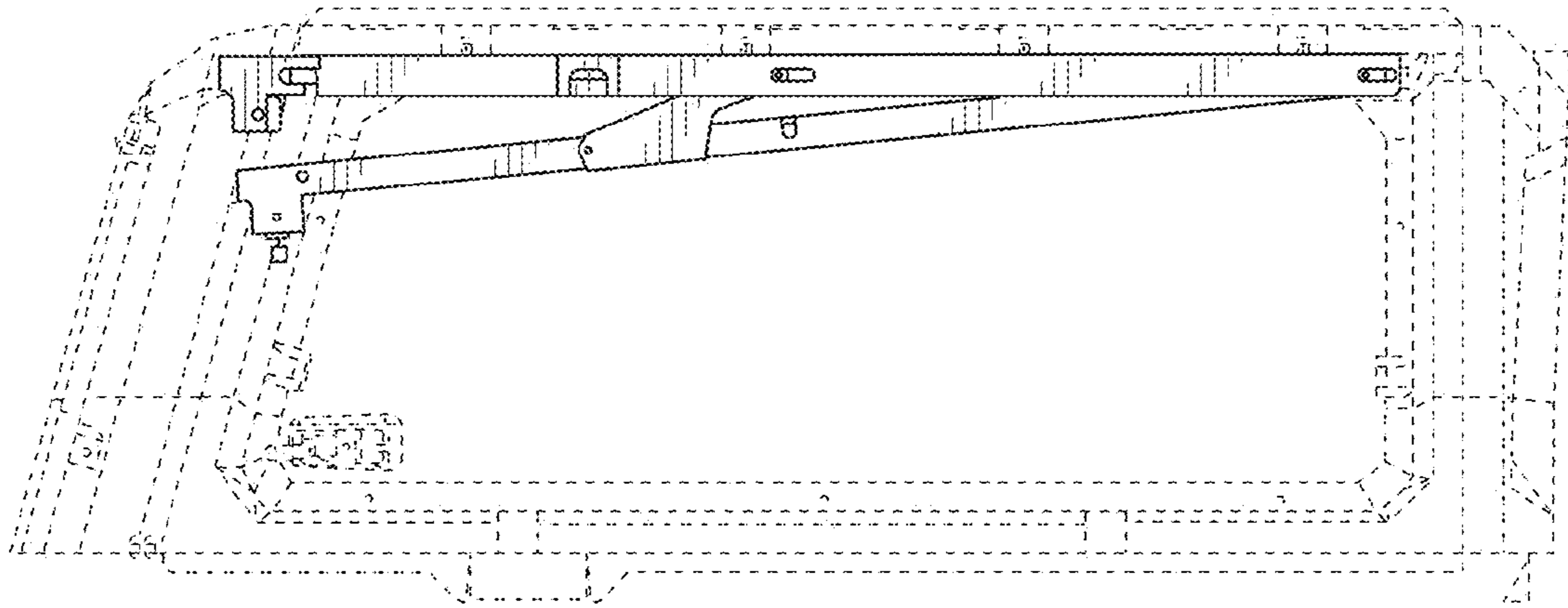


FIG. 7

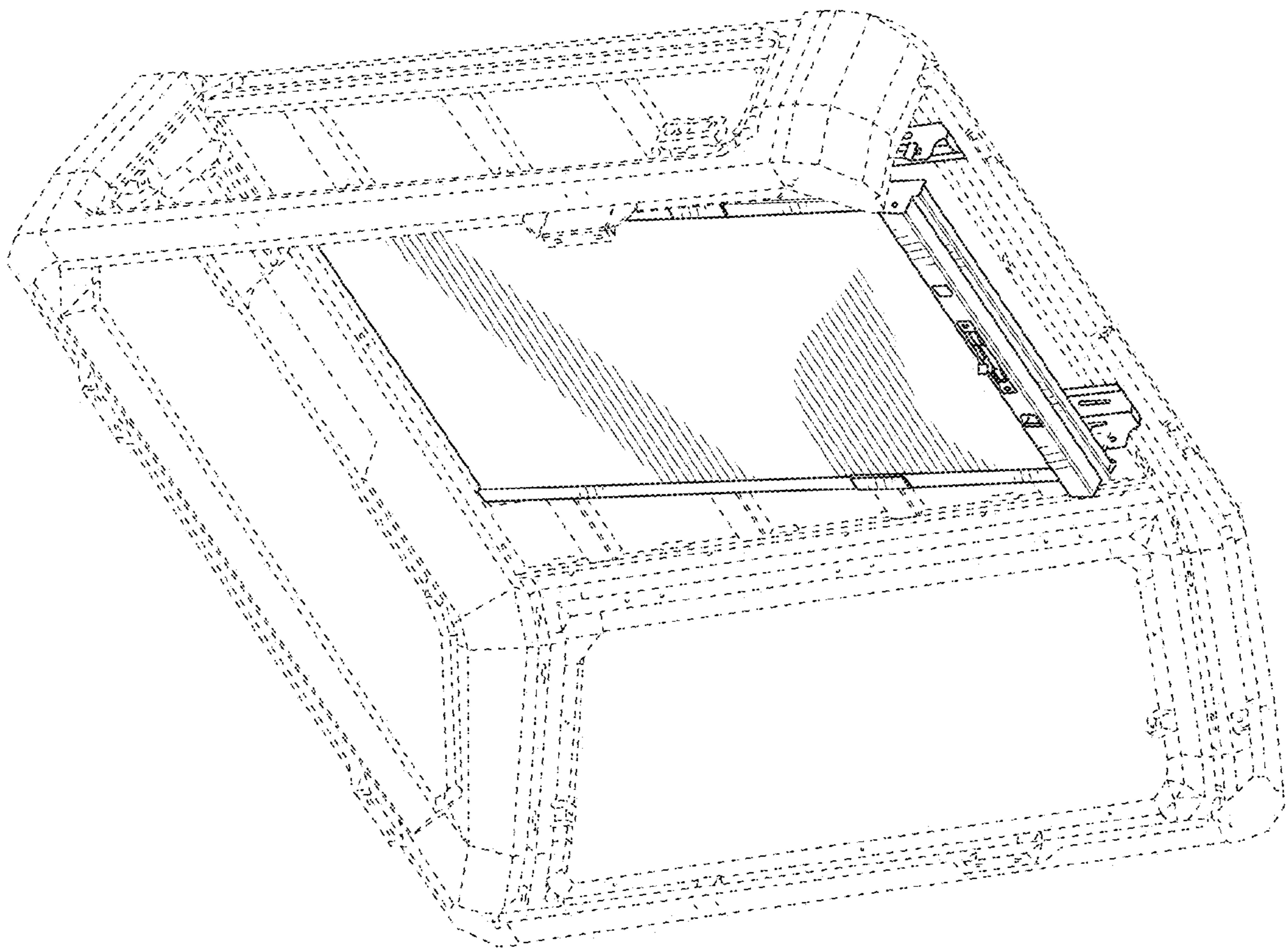


FIG. 8

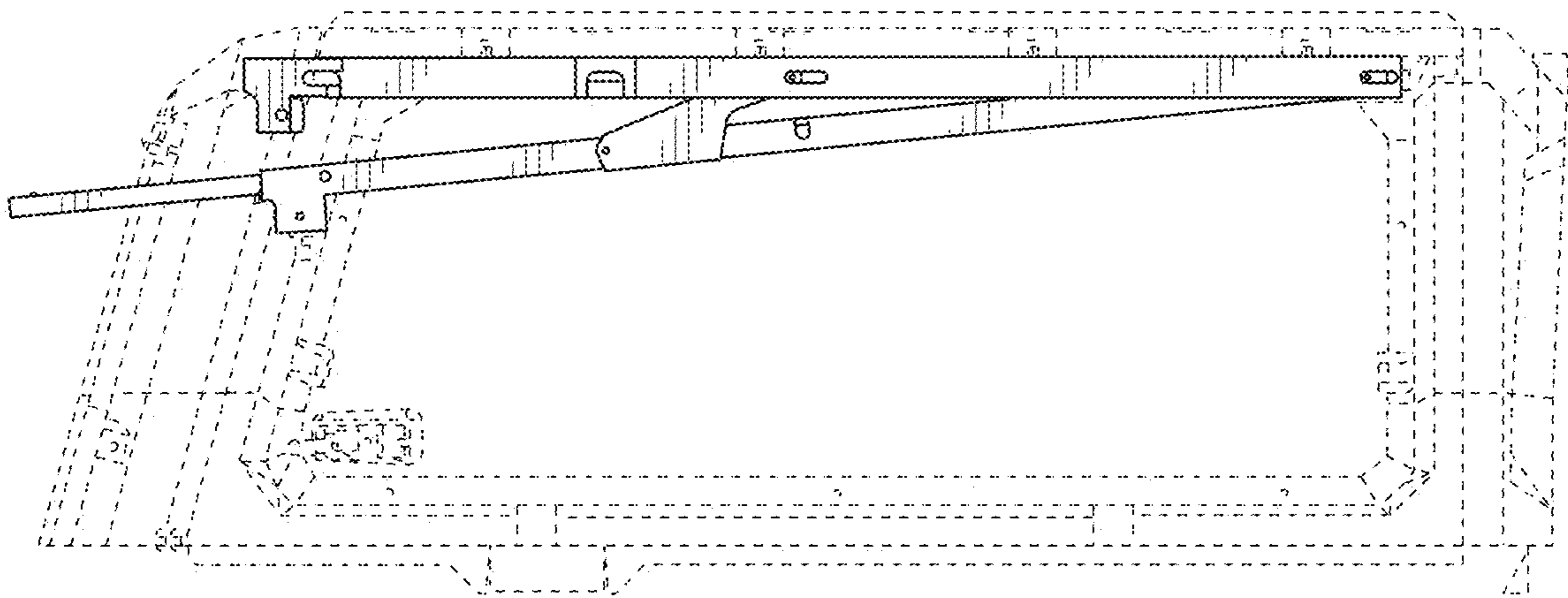


FIG. 9

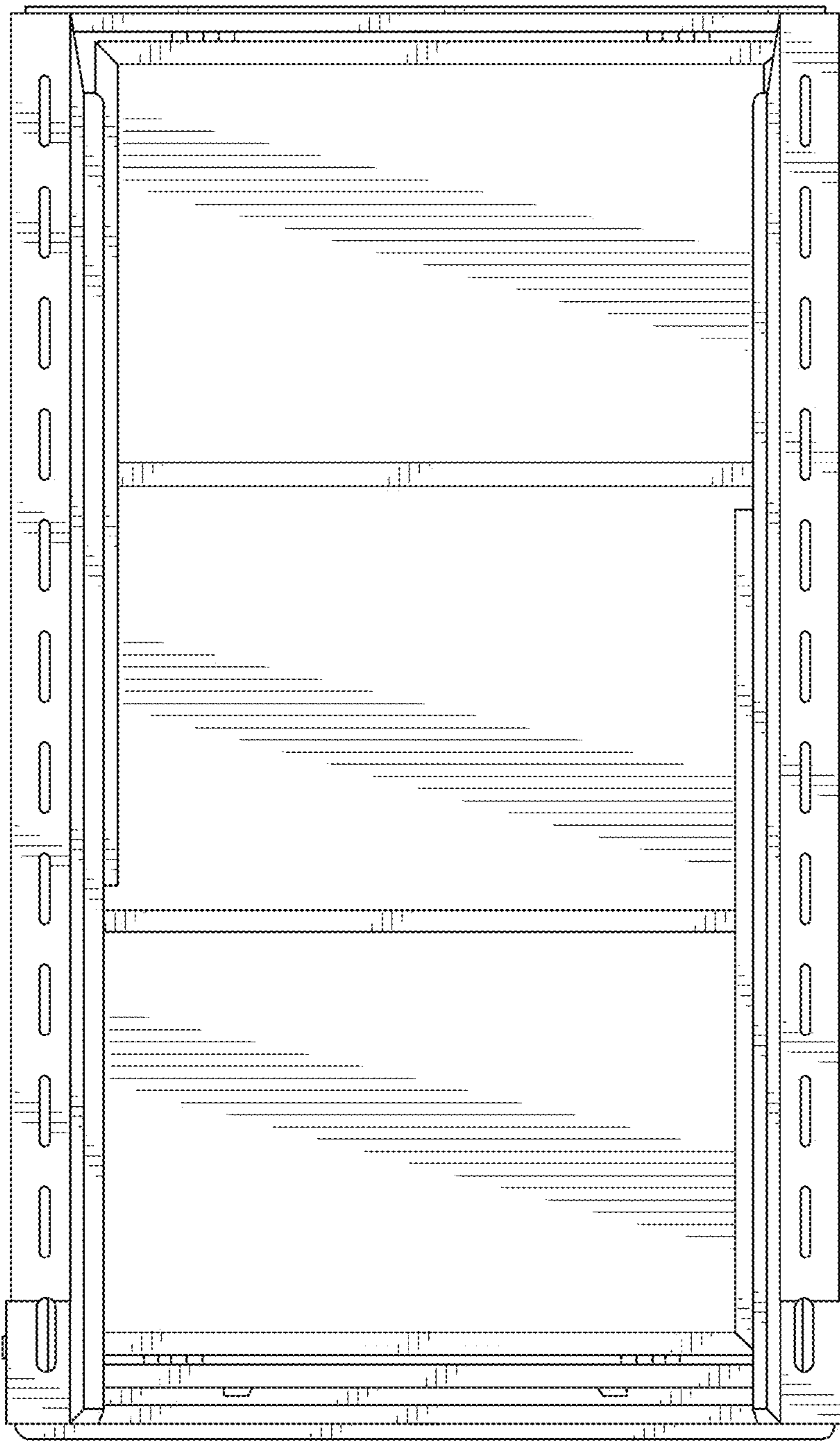


FIG. 10

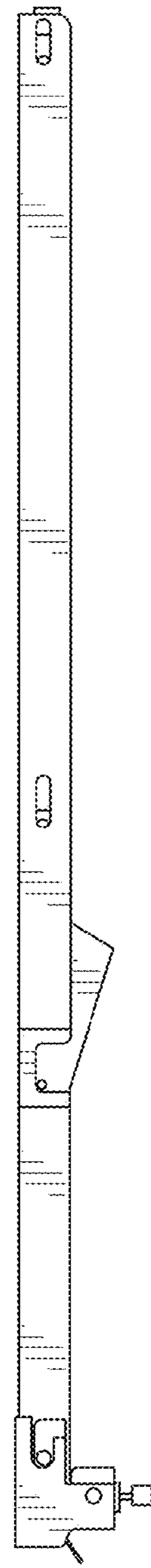


FIG. 11

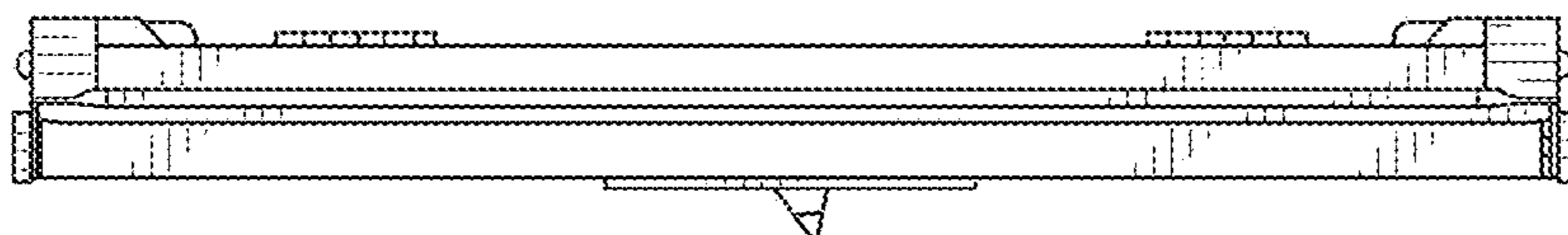


FIG. 12

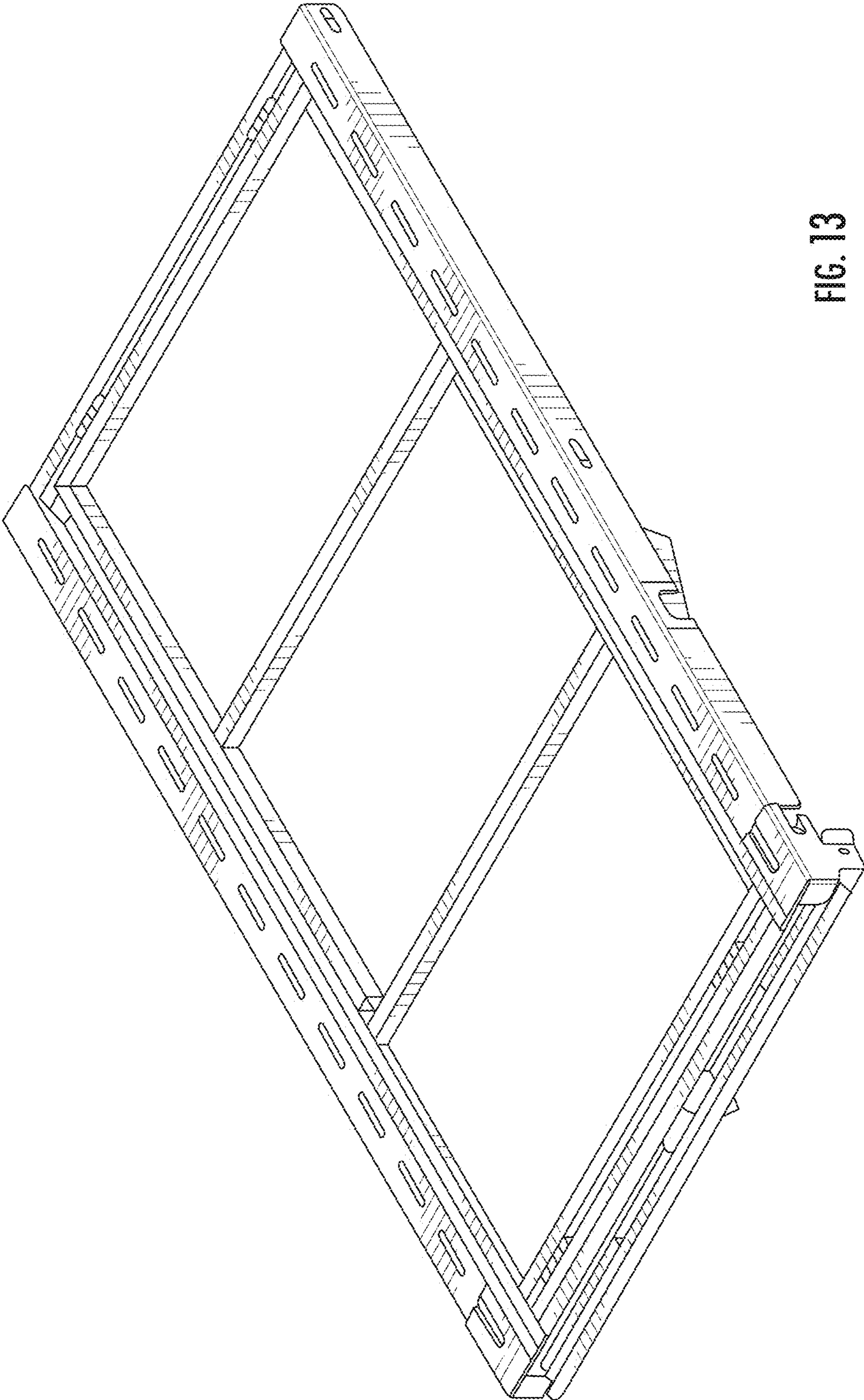


FIG. 13

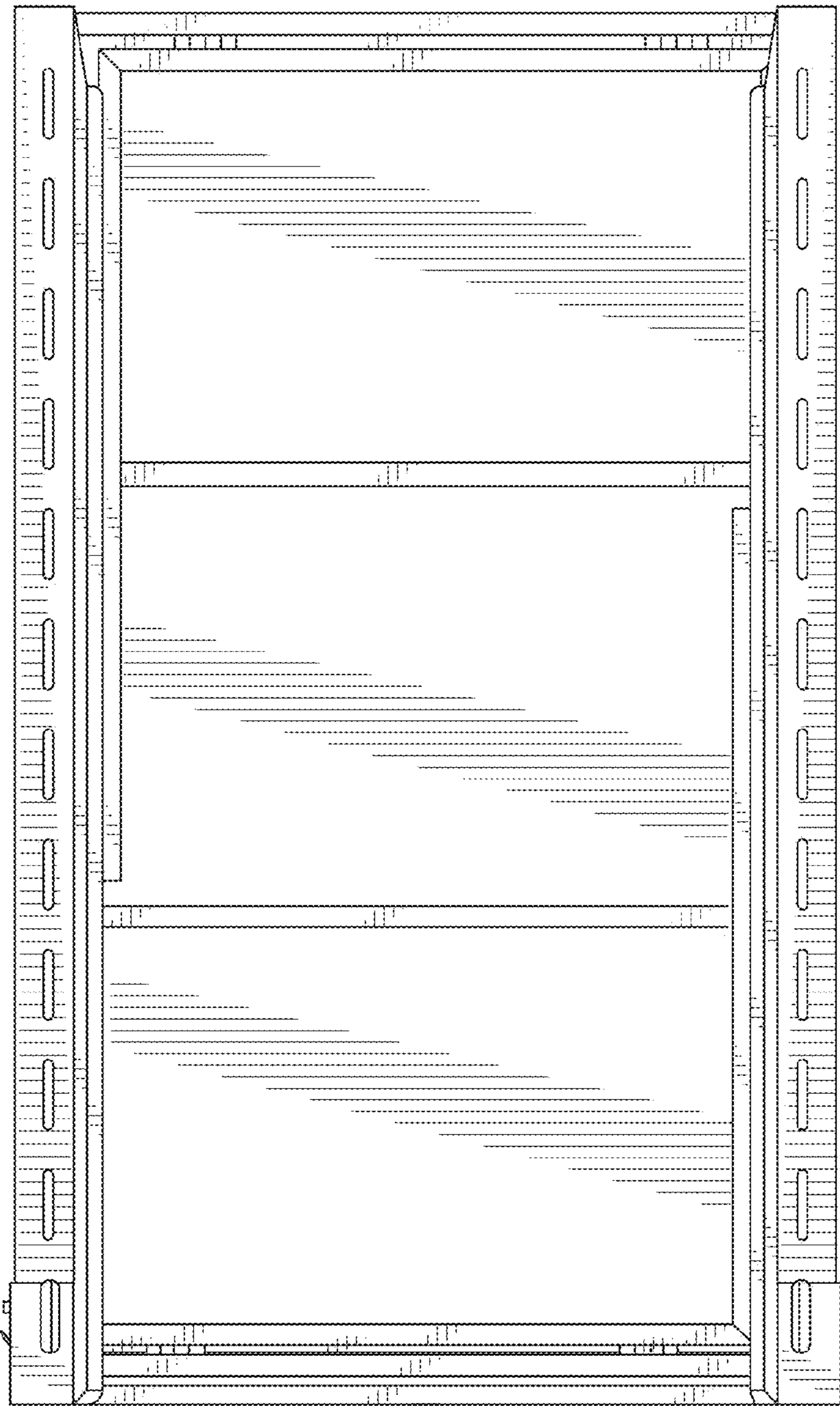


FIG. 14

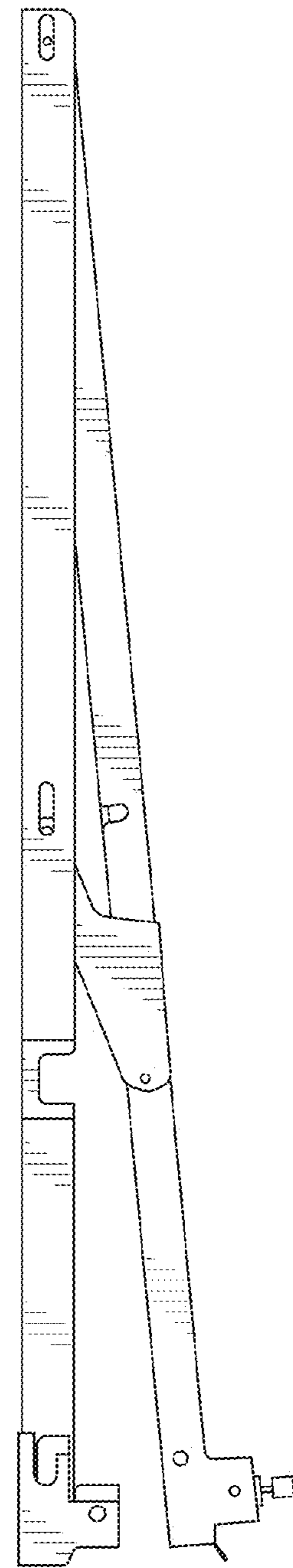


FIG. 15

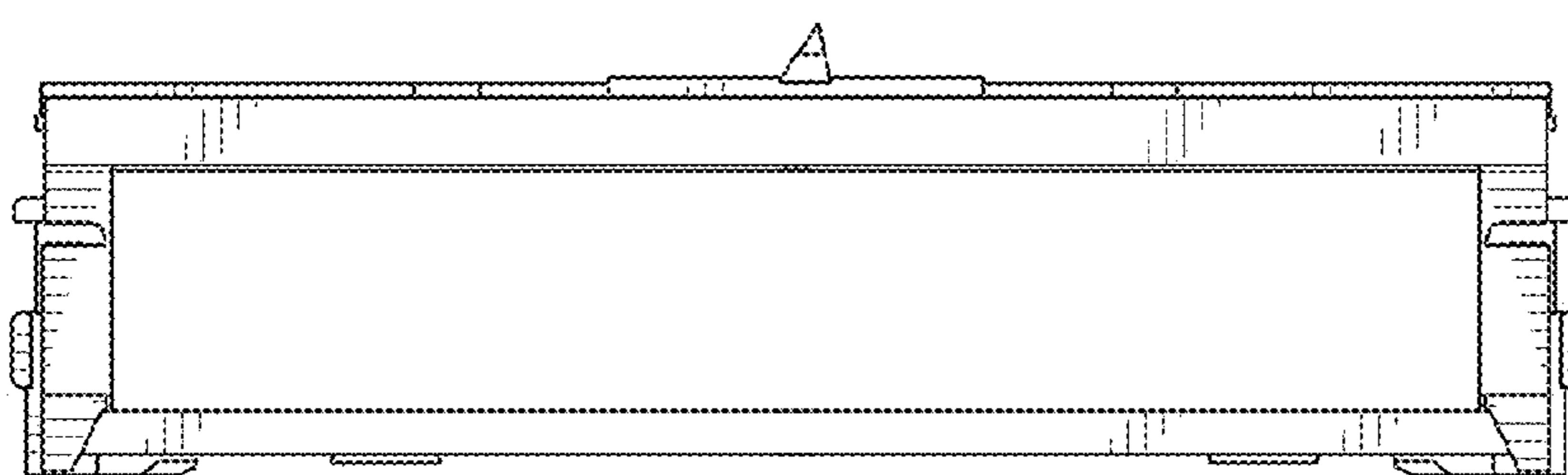


FIG. 16

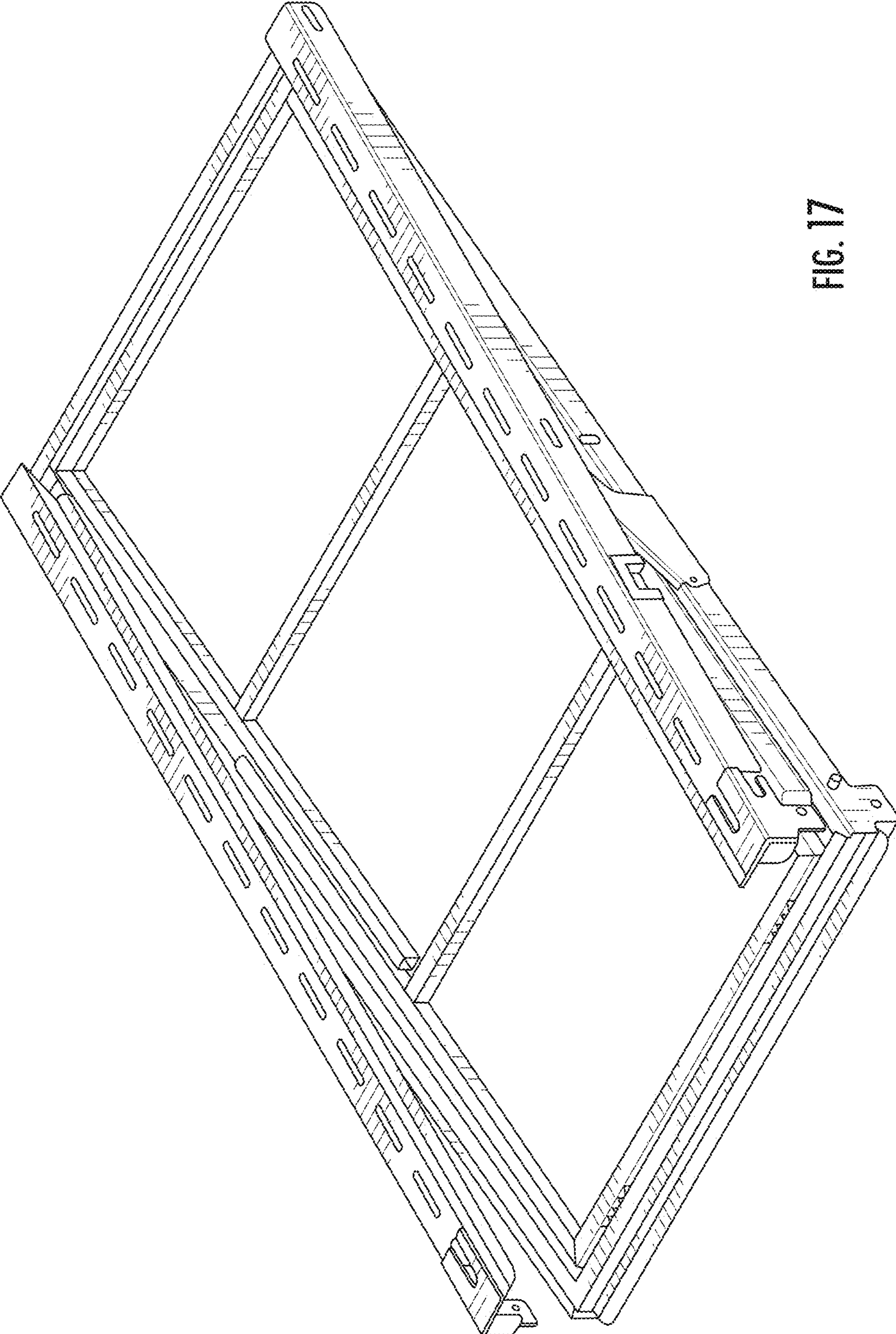


FIG. 17

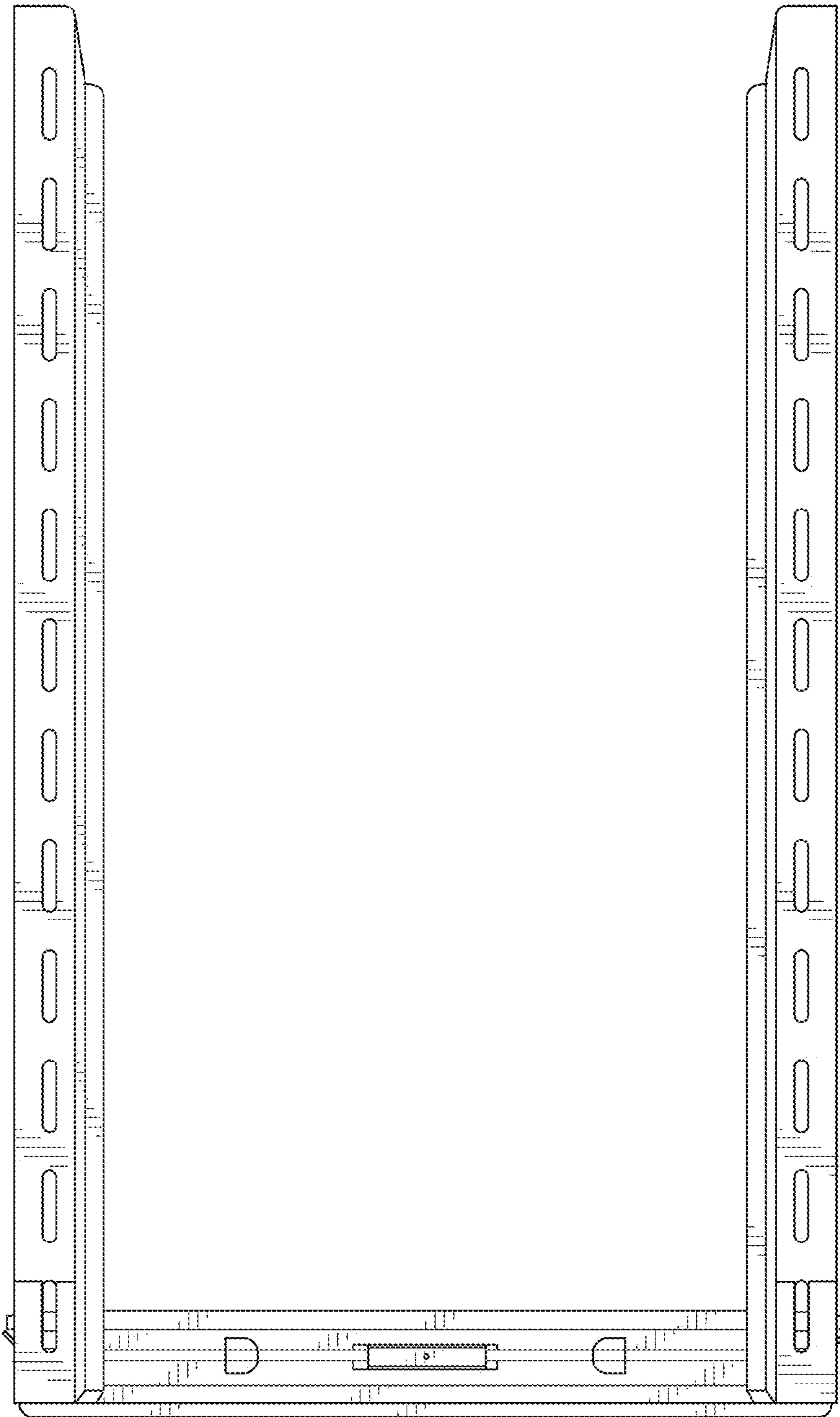


FIG. 18

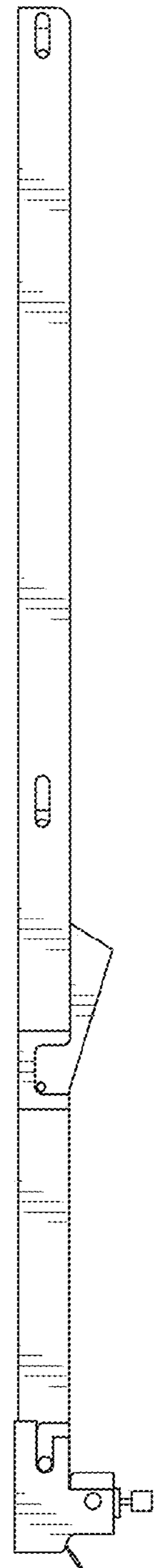


FIG. 19

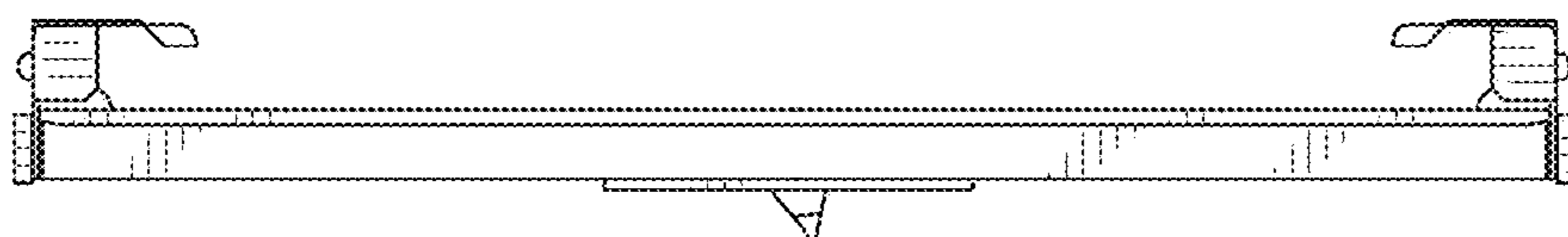


FIG. 20

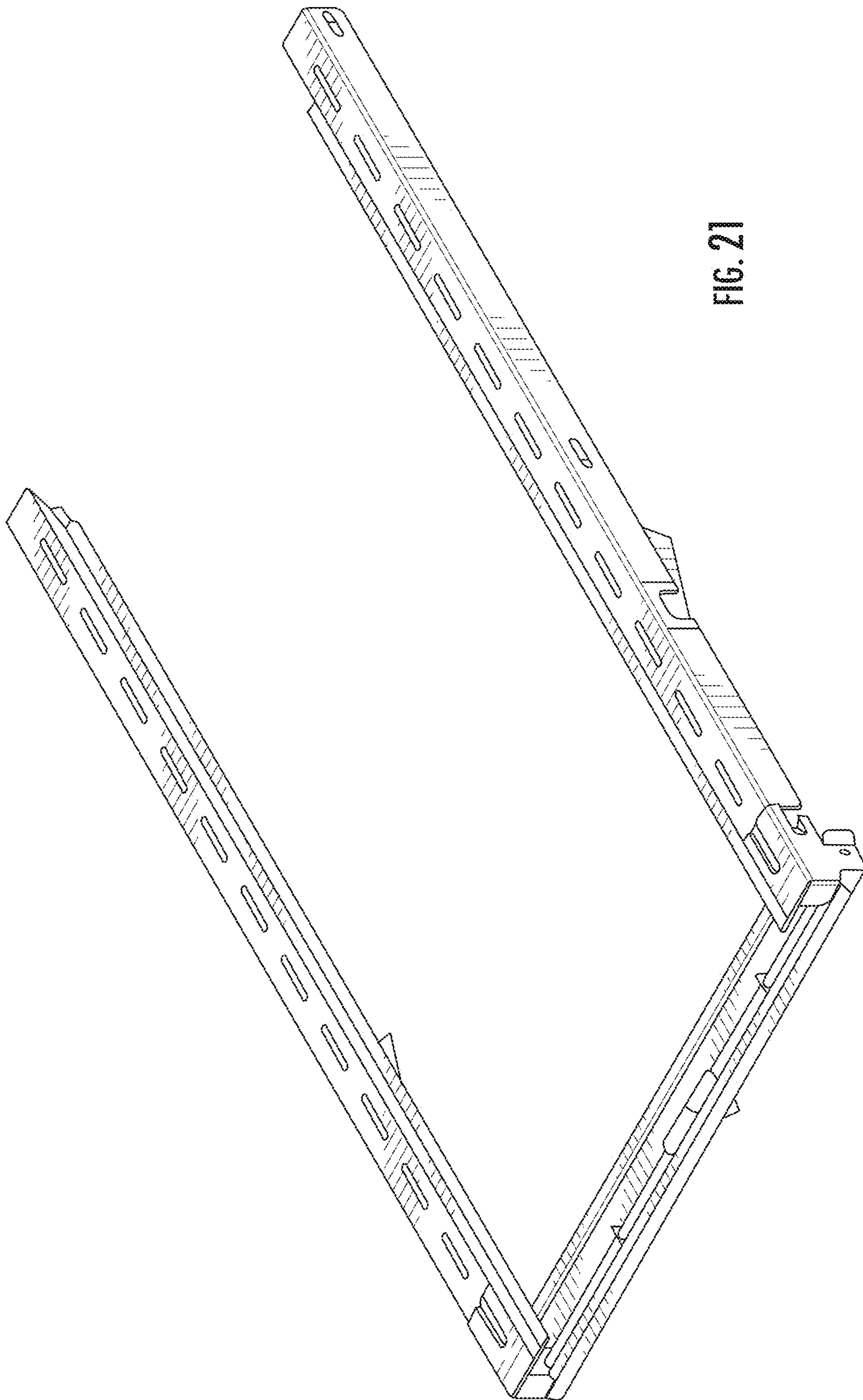


FIG. 21

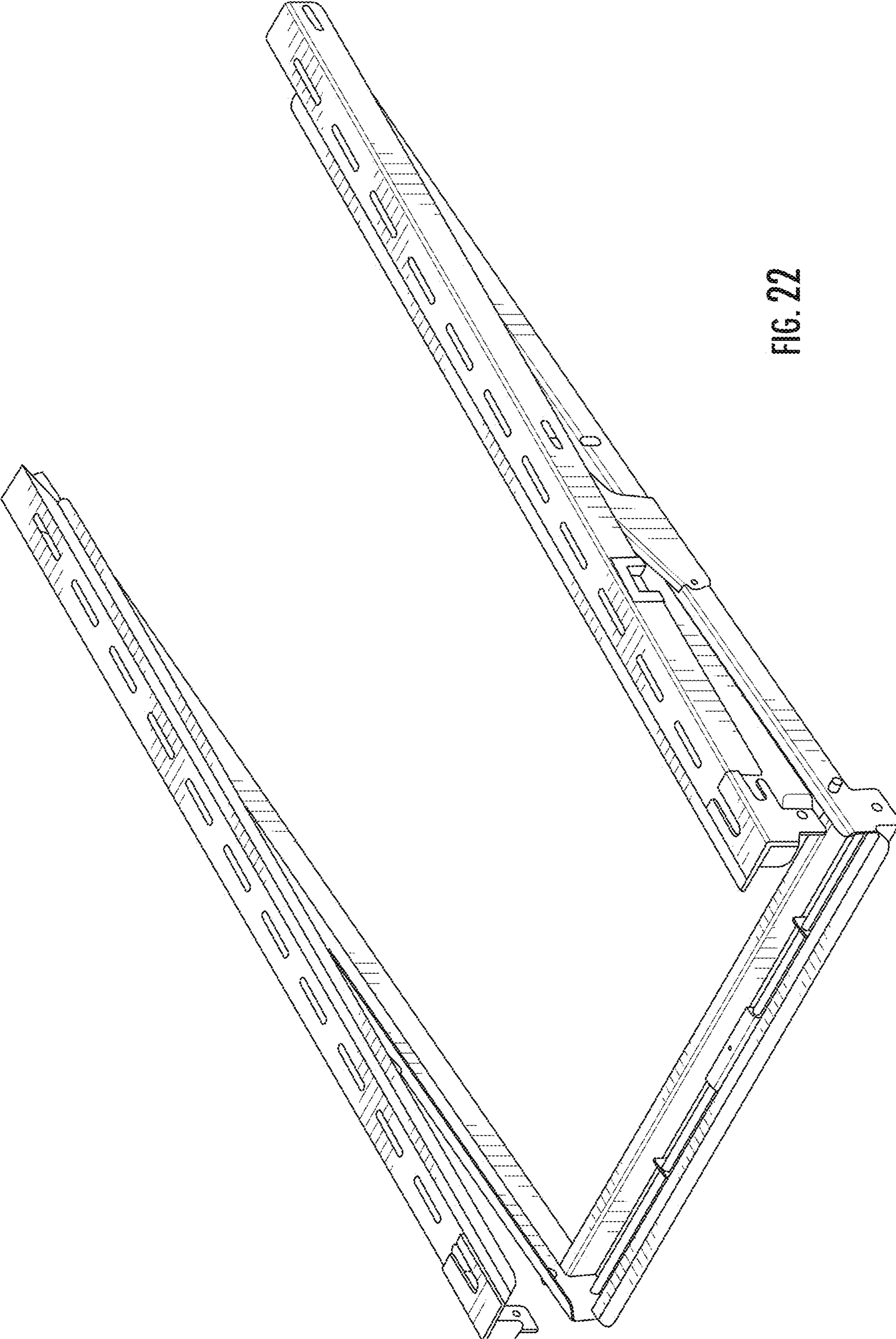


FIG. 22

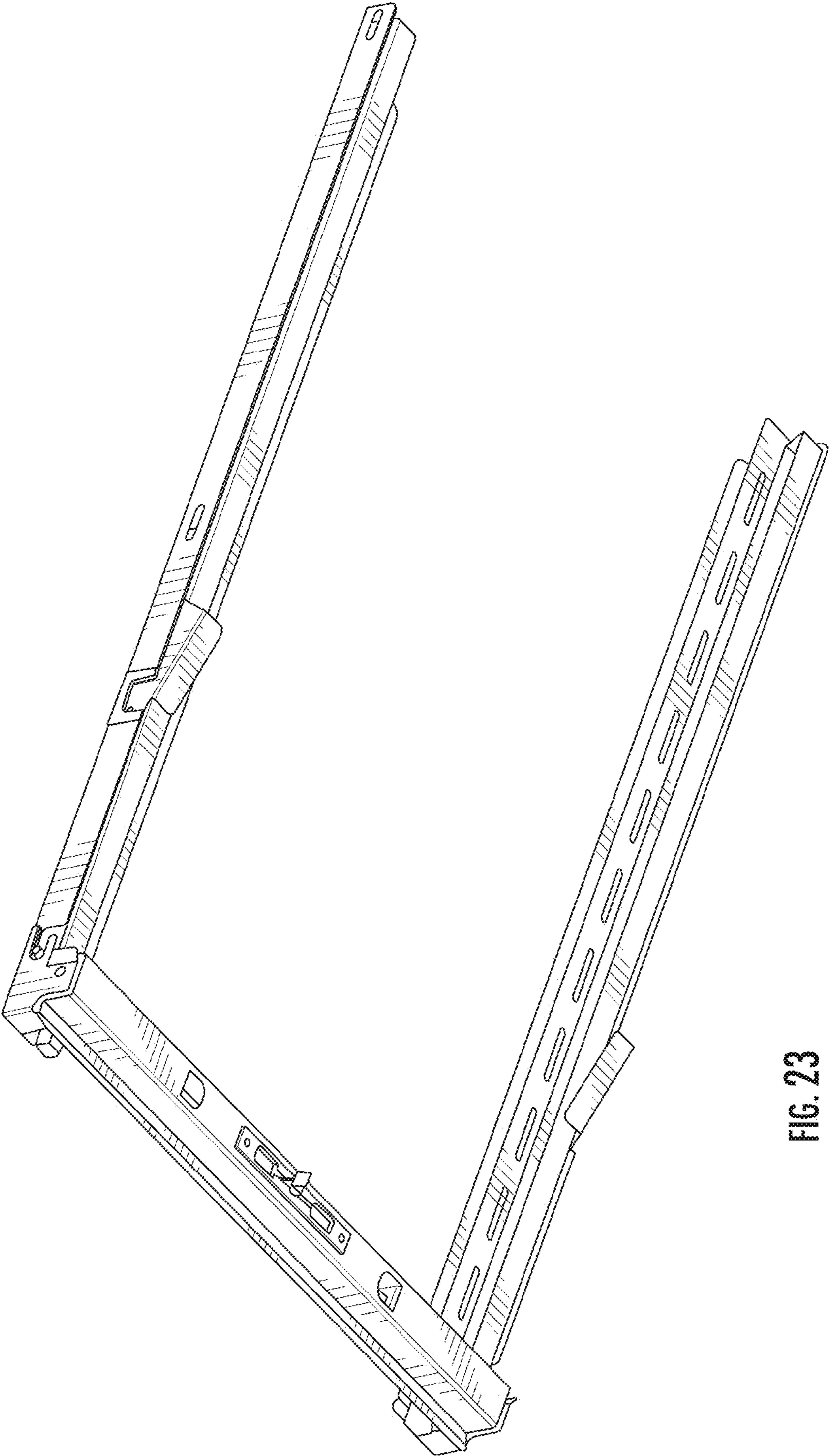


FIG. 23