



US00D964245S

(12) **United States Design Patent** (10) **Patent No.:** **US D964,245 S**  
**Schwarzer et al.** (45) **Date of Patent:** **\*\* Sep. 20, 2022**

(54) **VEHICLE WHEEL**  
(71) Applicant: **Ford Global Technologies, LLC**,  
Dearborn, MI (US)  
(72) Inventors: **Boris Schwarzer**, Huntington Woods,  
MI (US); **Steven Gilmore**, Farmington  
Hills, MI (US)  
(73) Assignee: **Ford Global Technologies, LLC**,  
Dearborn, MI (US)

D857,586 S \* 8/2019 Dewitt ..... D12/209  
D861,568 S \* 10/2019 Kim ..... D12/209  
D861,569 S \* 10/2019 Kikuchi ..... D12/209  
D871,296 S \* 12/2019 Bjerke ..... D12/209  
D880,390 S \* 4/2020 Hahn ..... D12/209  
D886,703 S \* 6/2020 Williams ..... D12/209  
D889,359 S \* 7/2020 Gillam ..... D12/209  
D895,508 S \* 9/2020 Wang ..... D12/209  
D904,956 S \* 12/2020 Metros ..... D12/209  
D906,923 S \* 1/2021 Badstuebner ..... D12/209  
D908,057 S \* 1/2021 Mukti ..... D12/209  
D918,116 S \* 5/2021 Ma ..... D12/209  
D942,350 S \* 2/2022 Han ..... D12/209

(\*\*) Term: **15 Years**

(21) Appl. No.: **29/770,559**  
(22) Filed: **Feb. 12, 2021**  
(51) **LOC (13) Cl.** ..... **12-16**  
(52) **U.S. Cl.**  
USPC ..... **D12/209**  
(58) **Field of Classification Search**  
USPC ..... D12/204–213; D21/563  
CPC .... B60B 7/00; B60B 7/02; B60B 7/04; B60B  
7/01; B60B 7/06; B60B 3/02; B60B 3/04;  
B60B 3/06; B60B 3/10; B60B 1/00;  
B60B 1/08; B60B 1/10; B60B 1/12  
See application file for complete search history.

(56) **References Cited**

**U.S. PATENT DOCUMENTS**

D517,968 S \* 3/2006 Morioka ..... D12/209  
D671,879 S \* 12/2012 Telaak ..... D12/209  
D726,619 S \* 4/2015 Gotschke ..... D12/209  
D728,441 S \* 5/2015 Zhang ..... D12/209  
D766,153 S \* 9/2016 Wheel ..... D12/209  
D784,233 S \* 4/2017 Hejtmanek ..... D12/209  
D800,625 S \* 10/2017 Svensson ..... D12/209  
D823,772 S \* 7/2018 Mielke ..... D12/209  
D842,187 S \* 3/2019 Tomasson ..... D12/209  
D849,651 S \* 5/2019 Lee ..... D12/209

**OTHER PUBLICATIONS**

Andre Smirnov, Leaked: 2022 Ford Maverick Truck? Could This Be  
The Next Ford Ranger or Bronco-Based Pickup?, <https://tfltruck.com/2020/04/leaked-2022-ford-maverick-truck-could-this-be-the-next-ford-ranger-or-bronco-based-pickup/> Apr. 30, 2020.  
Viknesh Vijayenthiran, 2022 Ford Maverick Spy Shots: Compact  
Pickup on the way, [https://www.motorauthority.com/news/1129703\\_2022-ford-maverick-spy-shots](https://www.motorauthority.com/news/1129703_2022-ford-maverick-spy-shots) Sep. 23, 2020.

(Continued)

*Primary Examiner* — Calvin E Vansant  
(74) *Attorney, Agent, or Firm* — Michael Spenner

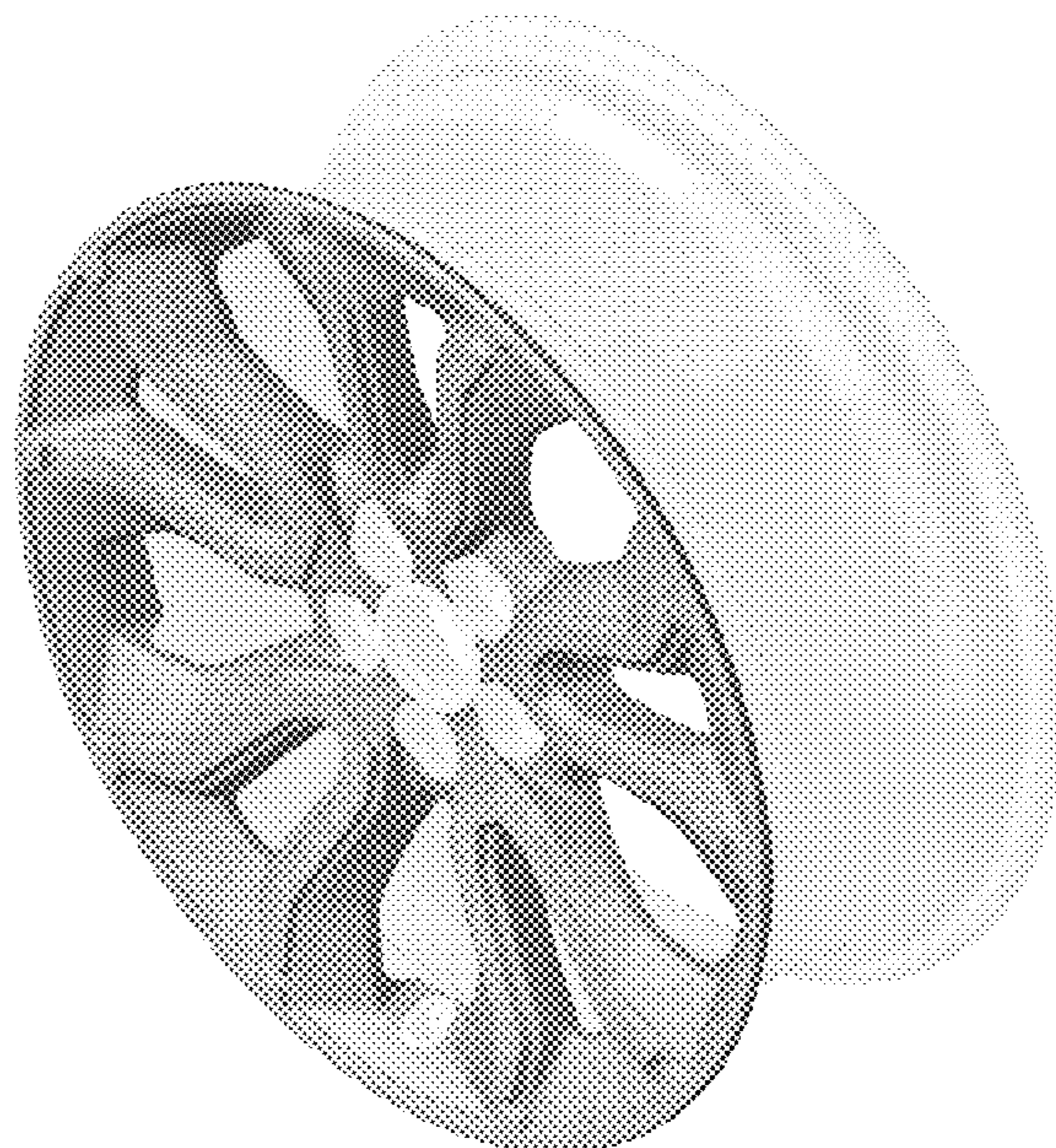
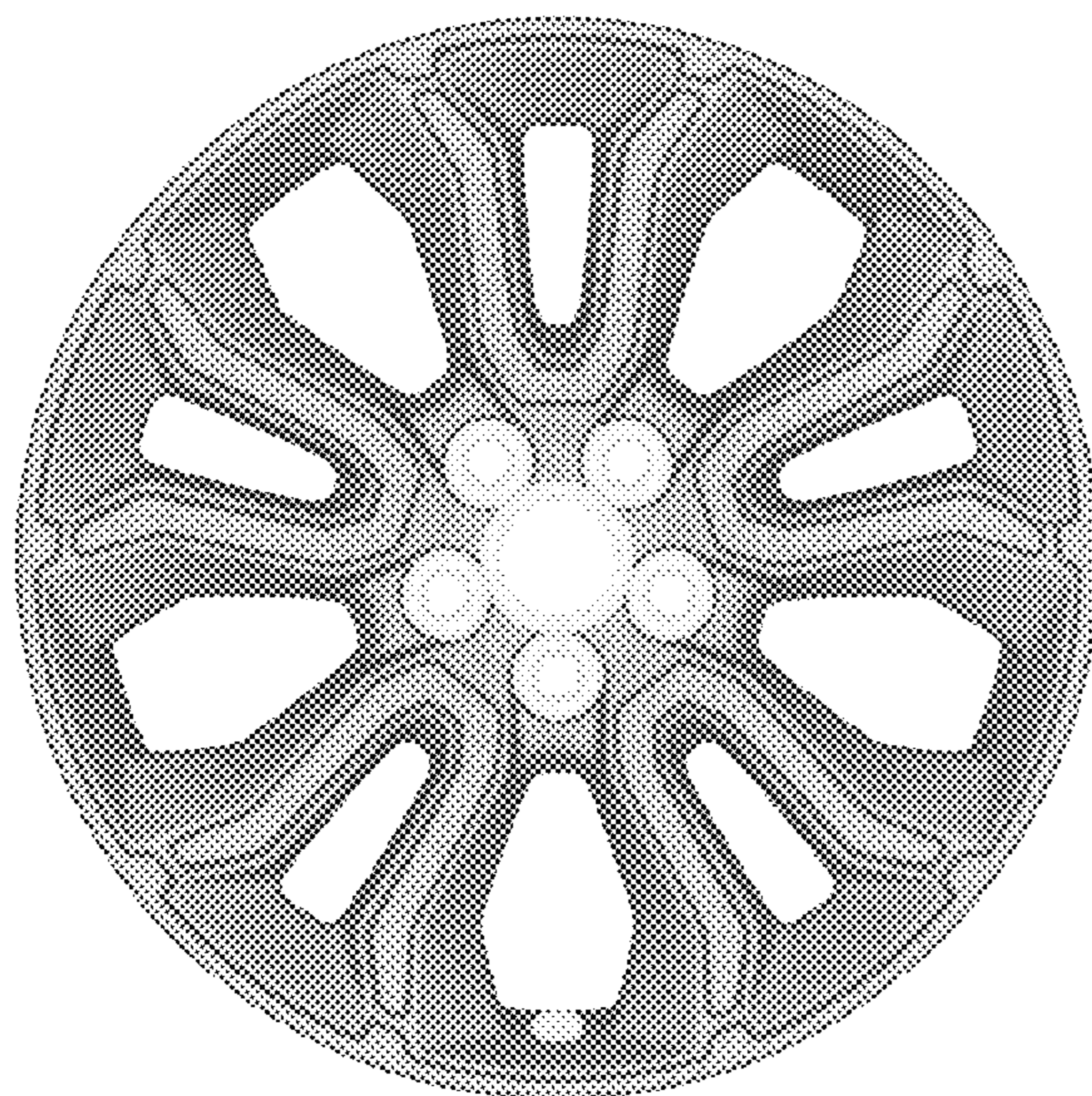
(57) **CLAIM**

The ornamental design for a vehicle wheel, as shown and described.

**DESCRIPTION**

FIG. 1 is a front elevational view of a vehicle wheel showing our new design; and, FIG. 2 is a perspective view thereof. The claimed design is indicated by the relatively dark portions in the figures. The de-emphasized and relatively light portions form no part of the claimed design.

**1 Claim, 2 Drawing Sheets**



(56)

**References Cited**

## OTHER PUBLICATIONS

Brett Foote, Ford Maverick Pickup Will Only Be Available In Four-Door Configuration, <https://fordauthority.com/2020/12/ford-maverick-pickup-will-only-be-available-in-four-door-configuration/> Dec. 7, 2020.

Chris Bruce, 2022 Ford Maverick Caught In Bare Metal, Revealing its Design, <https://www.motor1.com/news/458839/2022-ford-maverick-bare-metal/> Dec. 7, 2020.

MR Robot, Ford Maverick Unibody Fully Revealed!, <https://www.mavericktruckclub.com/forum/threads/ford-maverick-unibody-fully-revealed.13/> Dec. 7, 2020.

Chris Bruce, 2022 Ford Maverick May Only Be Available In Four-Door Super Crew Body, <https://www.motor1.com/news/459229/2022-ford-maverick-super-crew/> Dec. 9, 2020.

Paul A. Eisenstein, Return Of The Ford Maverick—But This Time It's Going To Be A Compact Pickup, <https://www.thedetroitbureau.com/2020/12/return-of-the-ford-maverick-but-this-time-its-going-to-be-a-compact-pickup/> Dec. 9, 2020.

Allison Barfield, The 2022 Ford Maverick Looks Bigger Than Expected, <https://www.motorbiscuit.com/the-2022-ford-maverick-looks-bigger-than-expected/> Dec. 12, 2020.

Alexander Stoklosa, 2022 Ford Maverick: Here It Is, Looking Compact and Surprisingly Trucky, <https://www.motortrend.com/news/2022-ford-maverick-spy-photo-factory-details/> Jan. 8, 2021.

Josh Byrnes, 2022 Ford Maverick: Everything We Know About The Blue Oval's Baby Truck, <https://www.carscoops.com/2021/01/2022-ford-maverick-everything-we-know-about-the-blue-ovals-baby-truck/> Jan. 30, 2021.

\* cited by examiner

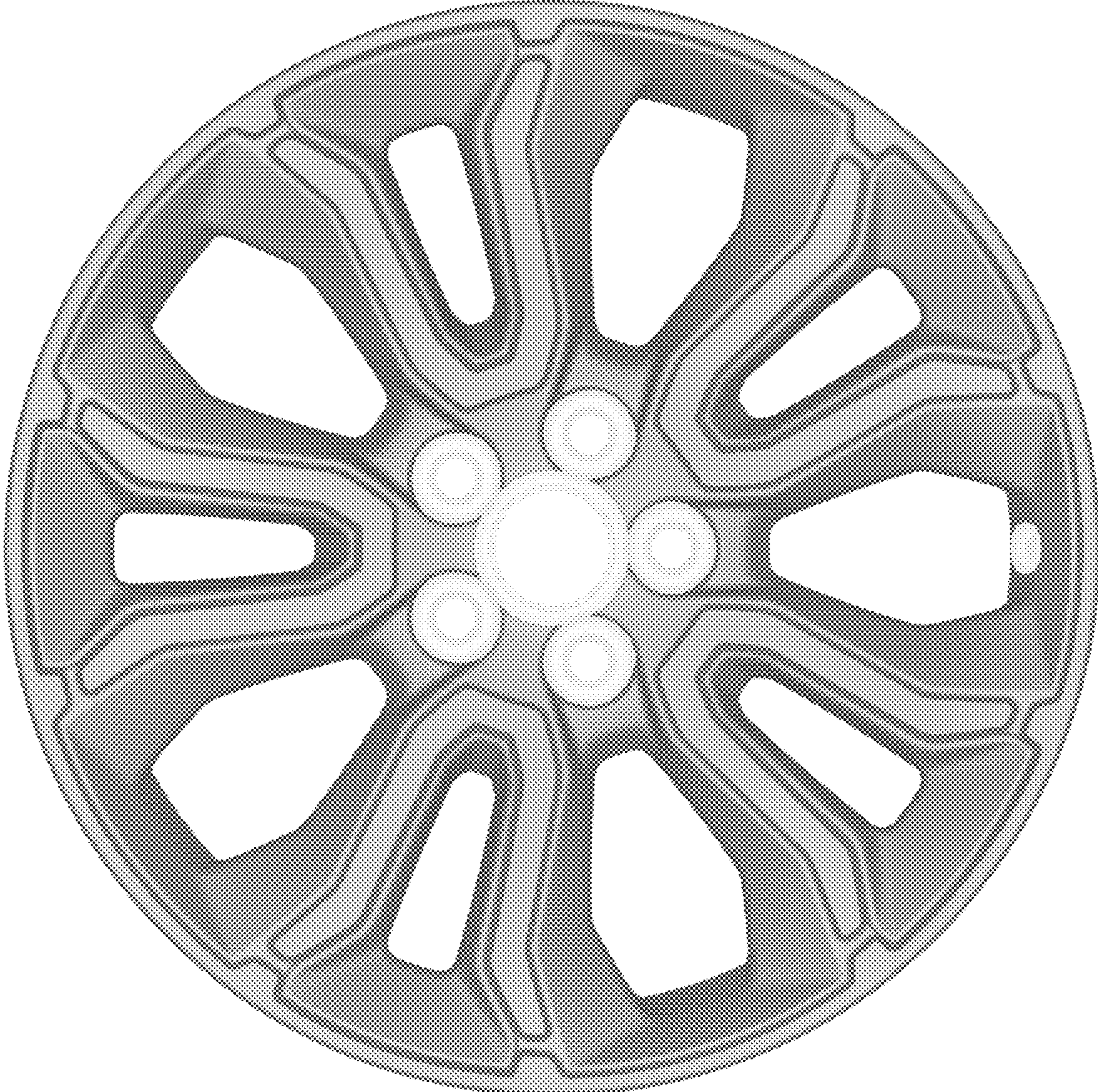


Fig. 1



Fig.2