

US00D964242S

(12) **United States Design Patent**
Hoover

(10) **Patent No.:** **US D964,242 S**

(45) **Date of Patent:** **** Sep. 20, 2022**

(54) **WHEEL ASSEMBLY**

(71) Applicant: **Matthew Brett Hoover**, Greenbrae, CA (US)

(72) Inventor: **Matthew Brett Hoover**, Greenbrae, CA (US)

(**) Term: **15 Years**

(21) Appl. No.: **29/652,518**

(22) Filed: **Sep. 10, 2020**

(51) **LOC (13) Cl.** **12-16**

(52) **U.S. Cl.**
USPC **D12/209**

(58) **Field of Classification Search**

USPC D12/204–213; D21/563
CPC B60B 7/00; B60B 7/01; B60B 7/02; B60B 7/04;
B60B 7/06; B60B 3/02; B60B 3/04;
B60B 3/06; B60B 3/10; B60B 1/00;
B60B 1/08; B60B 1/10; B60B 1/12

See application file for complete search history.

(56) **References Cited**

U.S. PATENT DOCUMENTS

D451,876 S	*	12/2001	Kohl	D12/211
D493,403 S	*	7/2004	Kataoka	D12/209
D533,825 S	*	12/2006	Baumgartner	D12/211
D542,208 S	*	5/2007	Gallert	D12/211
D558,114 S	*	12/2007	Pollmann	D12/209
D610,065 S	*	2/2010	Gallert	D12/211
D757,627 S	*	5/2016	Chung	D12/211

D791,674 S	*	7/2017	Valencia Pollex	D12/211
D792,827 S	*	7/2017	Chung	D12/209
D795,775 S	*	8/2017	Simpson	D12/211
D845,862 S	*	4/2019	Kong	D12/209
D946,483 S	*	3/2022	Lee	D12/209
D947,741 S	*	4/2022	Manzoni	D12/209

* cited by examiner

Primary Examiner — Cary M Robinson

Assistant Examiner — Adam C Mager

(74) *Attorney, Agent, or Firm* — Dunlap Bennett & Ludwig, PLLC

(57) **CLAIM**

The ornamental design for a wheel assembly, as shown and described.

DESCRIPTION

FIG. 1 is a front perspective view of the wheel assembly showing my new design;

FIG. 2 is a rear perspective view thereof;

FIG. 3 is a front elevation view thereof;

FIG. 4 is a rear elevation view thereof;

FIG. 5 is a left side elevation view thereof, the right side elevation view being a mirror image thereof;

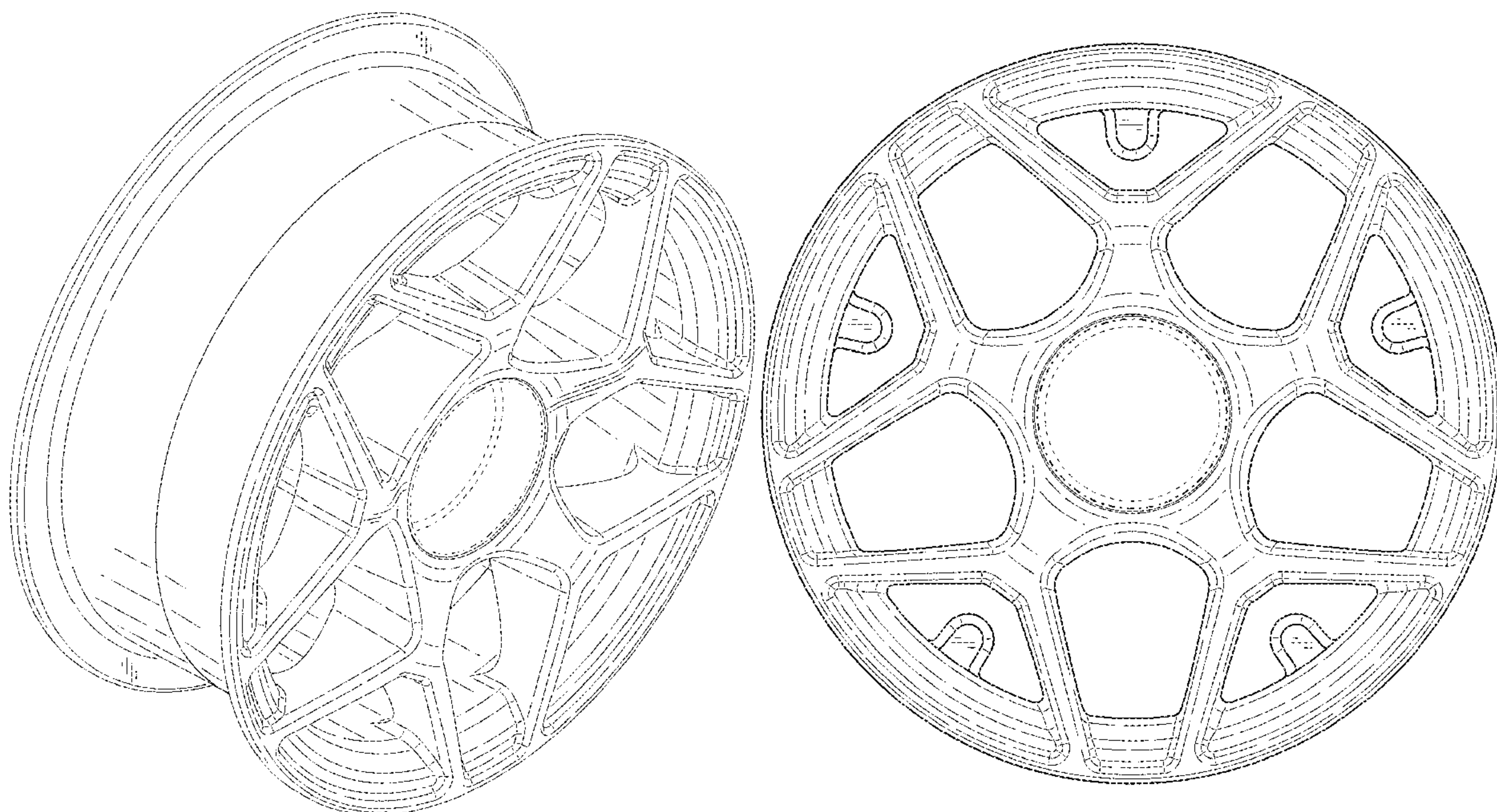
FIG. 6 is a top plan view thereof; and,

FIG. 7 is bottom plan view thereof.

The broken lines shown in the drawings illustrate portions of the wheel assembly that form no part of the claimed design.

The dash dot dash lines indicate a boundary that forms no part of the claimed design.

1 Claim, 6 Drawing Sheets



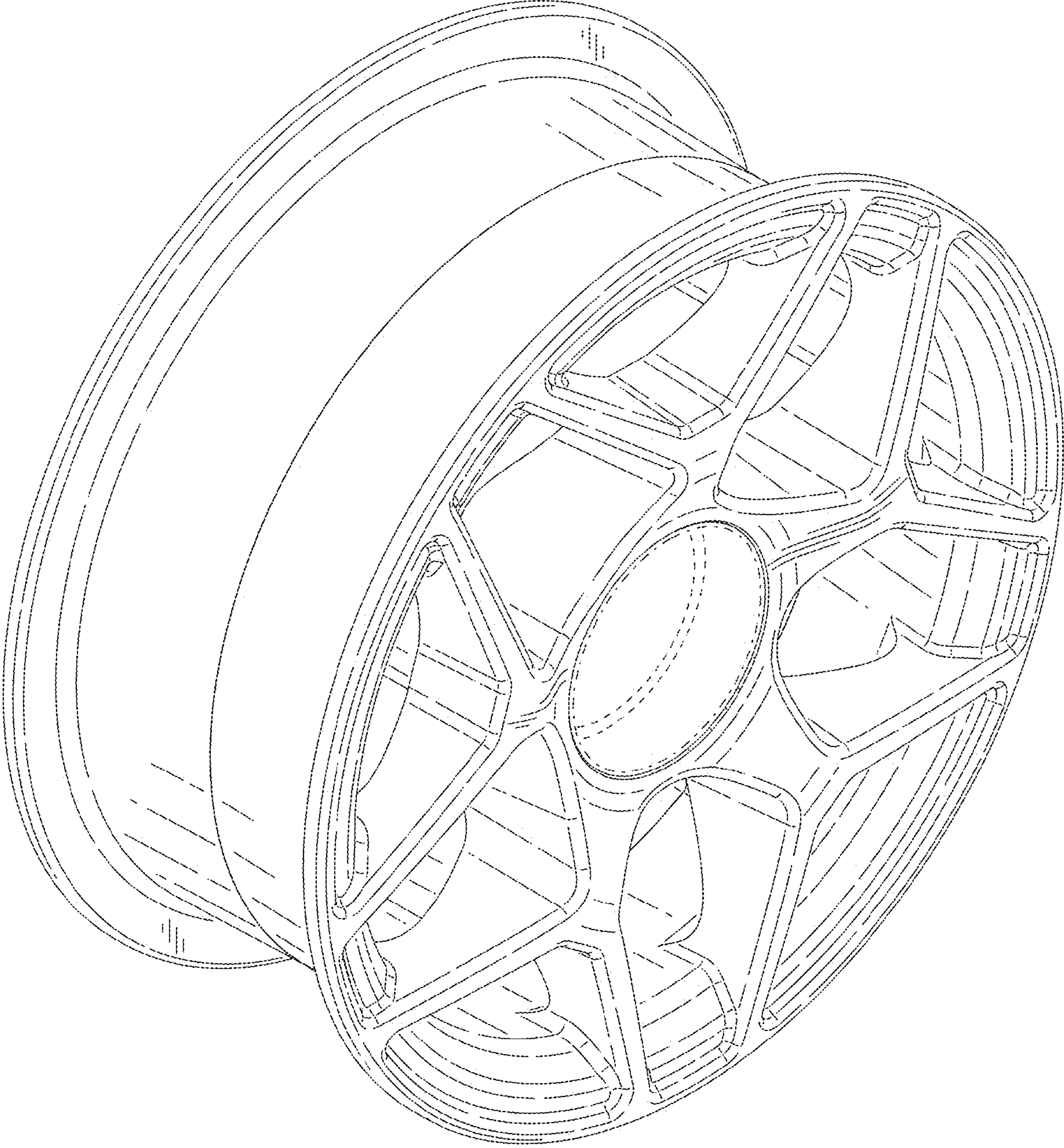


FIG. 1

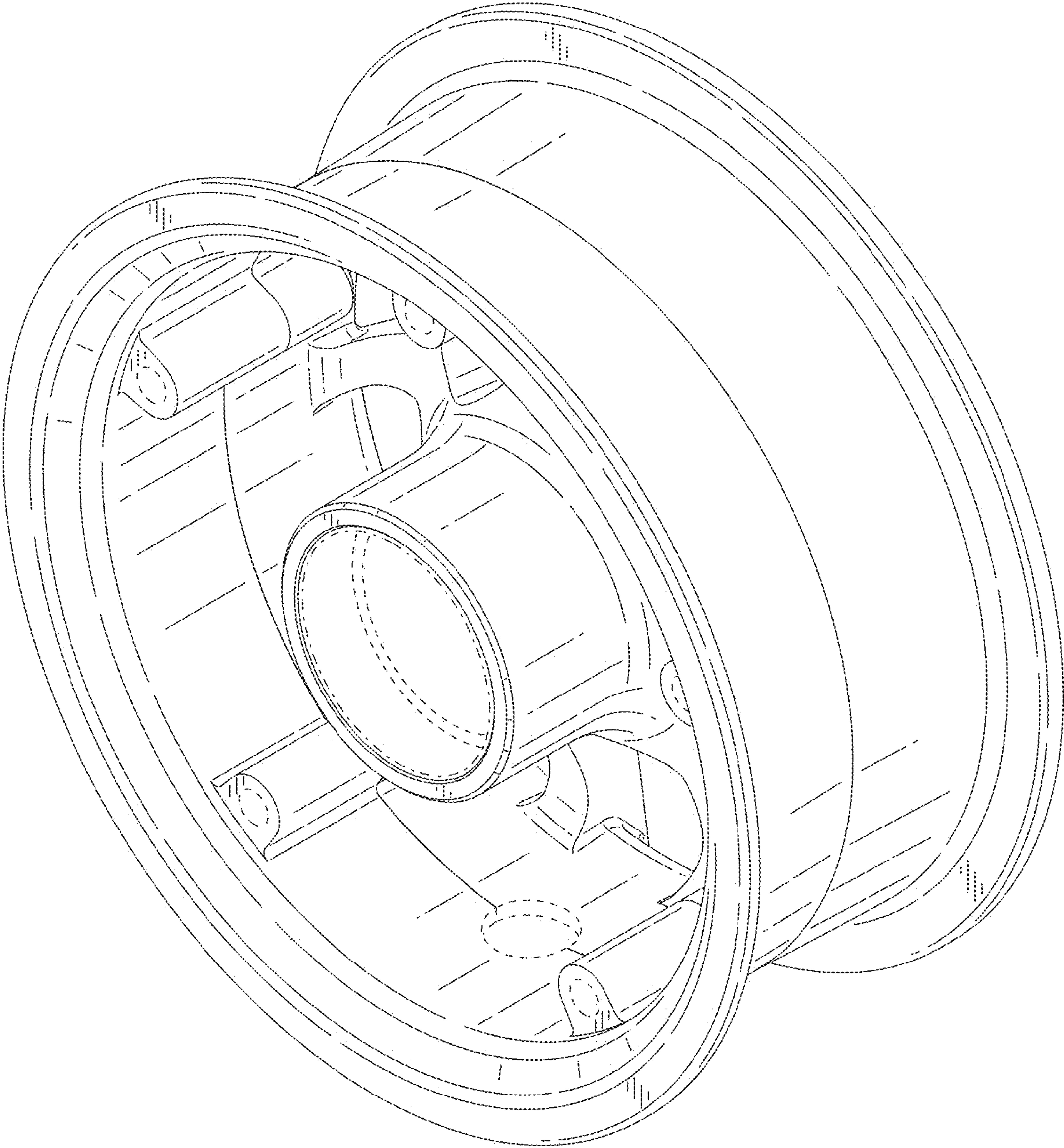


FIG. 2

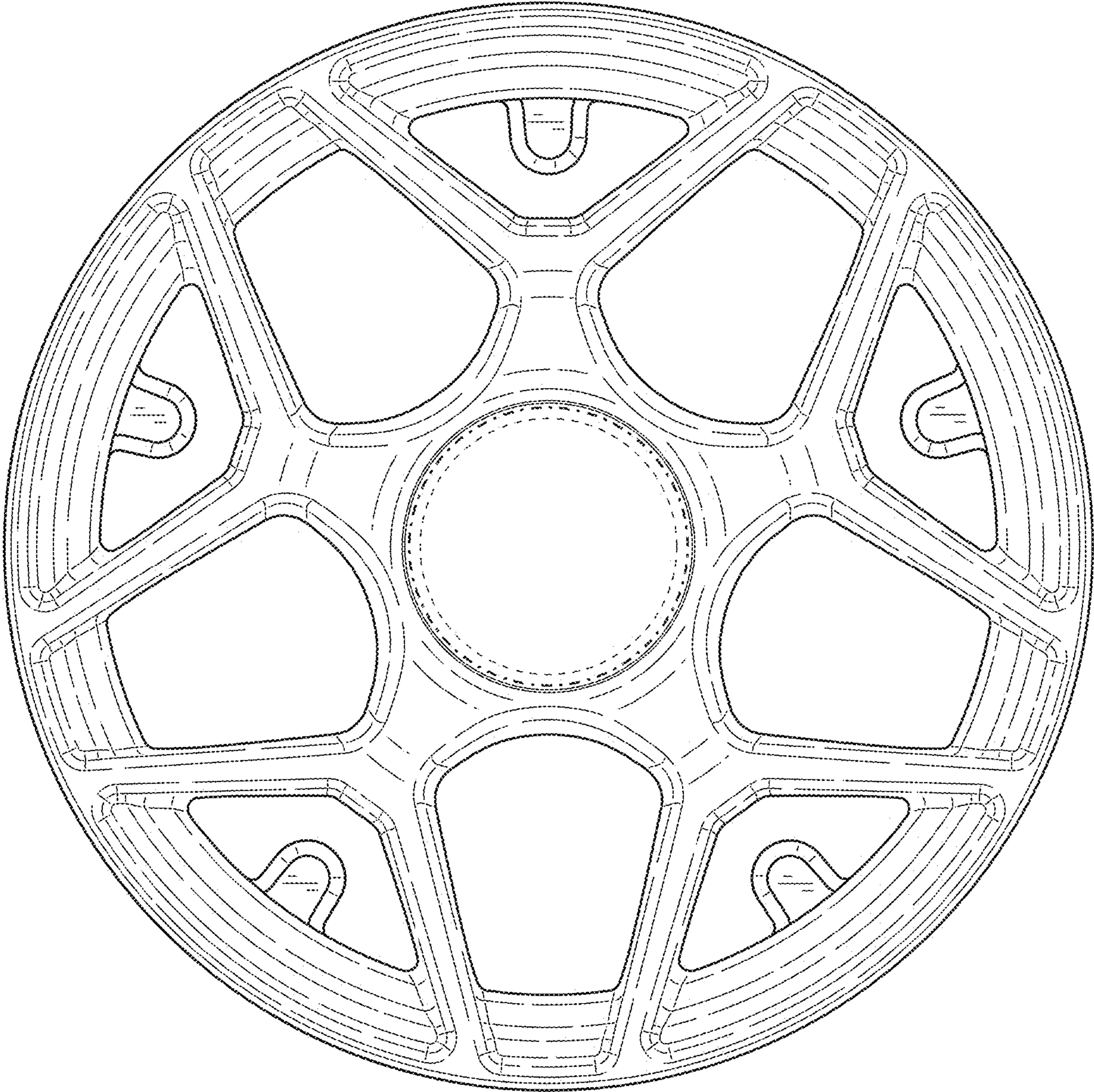


FIG. 3

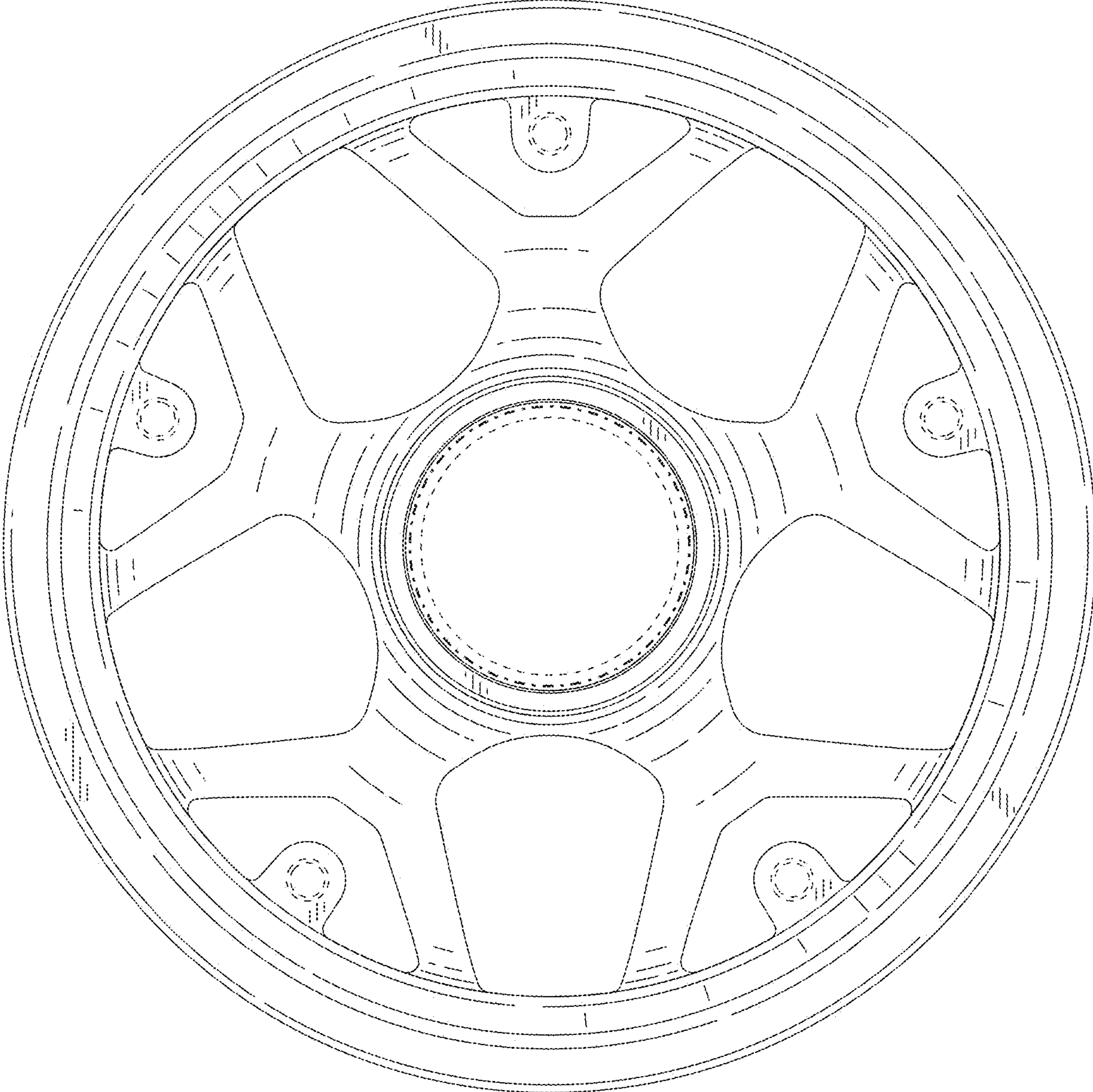


FIG. 4

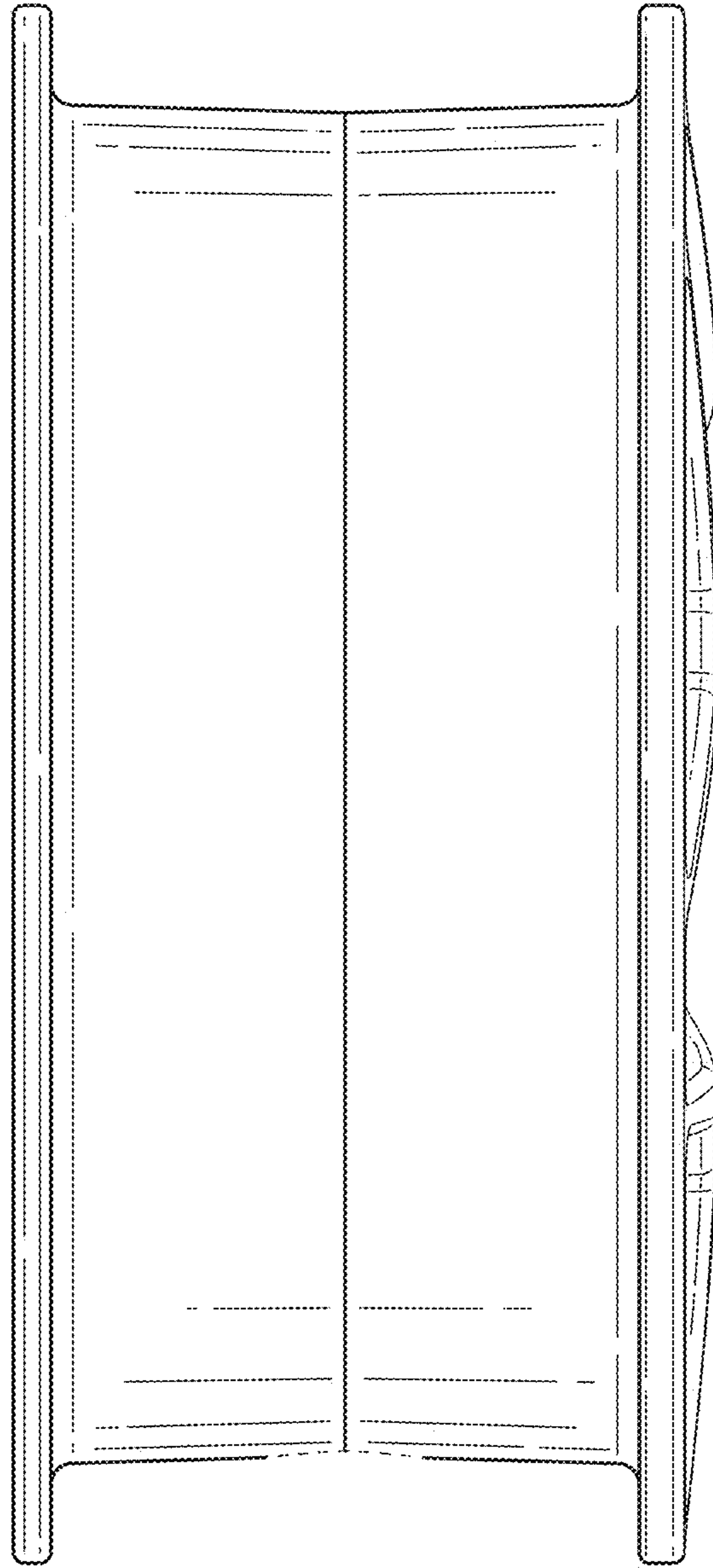


FIG. 5

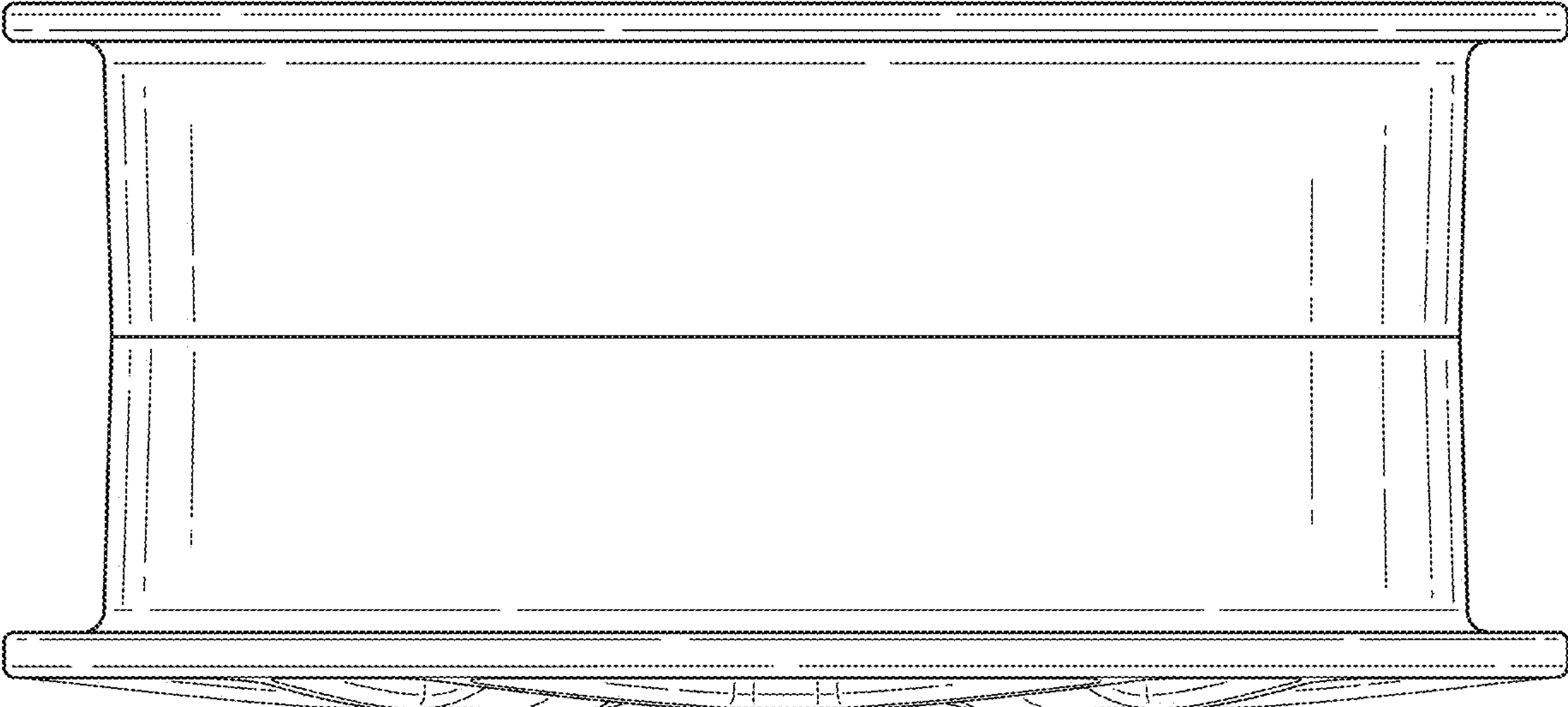


FIG. 6

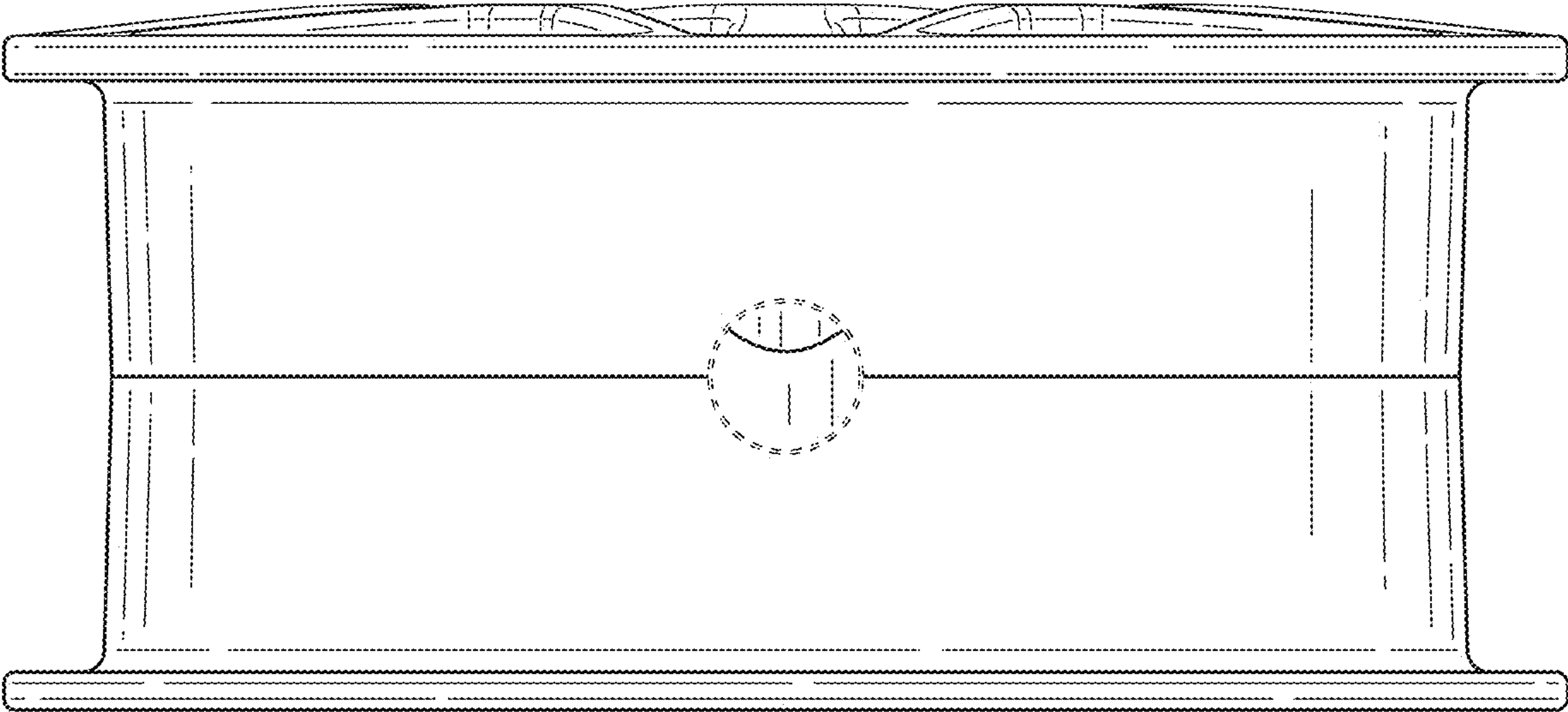


FIG. 7