



US00D964241S

(12) **United States Design Patent** (10) **Patent No.:** **US D964,241 S**  
**Dougherty** (45) **Date of Patent:** **\*\* Sep. 20, 2022**

- (54) **DRIP PAD WITH POCKET**
- (71) Applicant: **Guy N. Dougherty**, Chino, CA (US)
- (72) Inventor: **Guy N. Dougherty**, Chino, CA (US)
- (\*\*) Term: **15 Years**
- (21) Appl. No.: **29/683,592**
- (22) Filed: **Mar. 14, 2019**
- (51) **LOC (13) Cl.** ..... **12-16**
- (52) **U.S. Cl.**  
USPC ..... **D12/203**
- (58) **Field of Classification Search**  
USPC ..... D6/582-588, 592, 596; D12/203;  
D24/212; D32/57  
CPC ..... A47G 27/0206; A47G 27/0212; A47G  
27/0218; A47G 27/0225; A47G 27/0237;  
A47G 9/062; A47K 3/002; A47K 7/026;  
A47L 23/26; A47L 23/266; A63B  
21/4037; A63B 6/00; A63B 23/0464  
See application file for complete search history.

|              |        |          |       |                      |
|--------------|--------|----------|-------|----------------------|
| D659,458 S * | 5/2012 | Lerman   | ..... | D6/585               |
| D665,851 S * | 8/2012 | Davis    | ..... | D20/40               |
| D666,860 S * | 9/2012 | Lubart   | ..... | D6/583               |
| D700,456 S * | 3/2014 | Wentland | ..... | D6/582               |
| D856,704 S * | 8/2019 | Fishbein | ..... | A47G 9/064<br>D6/582 |

(Continued)

*Primary Examiner* — Kevin K Rudzinski  
*Assistant Examiner* — Clare Ann Gannon  
 (74) *Attorney, Agent, or Firm* — Kirk A. Buhler; Buhler & Associates Patenting

(57) **CLAIM**

The ornamental design for a drip pad with pocket, as shown and described.

**DESCRIPTION**

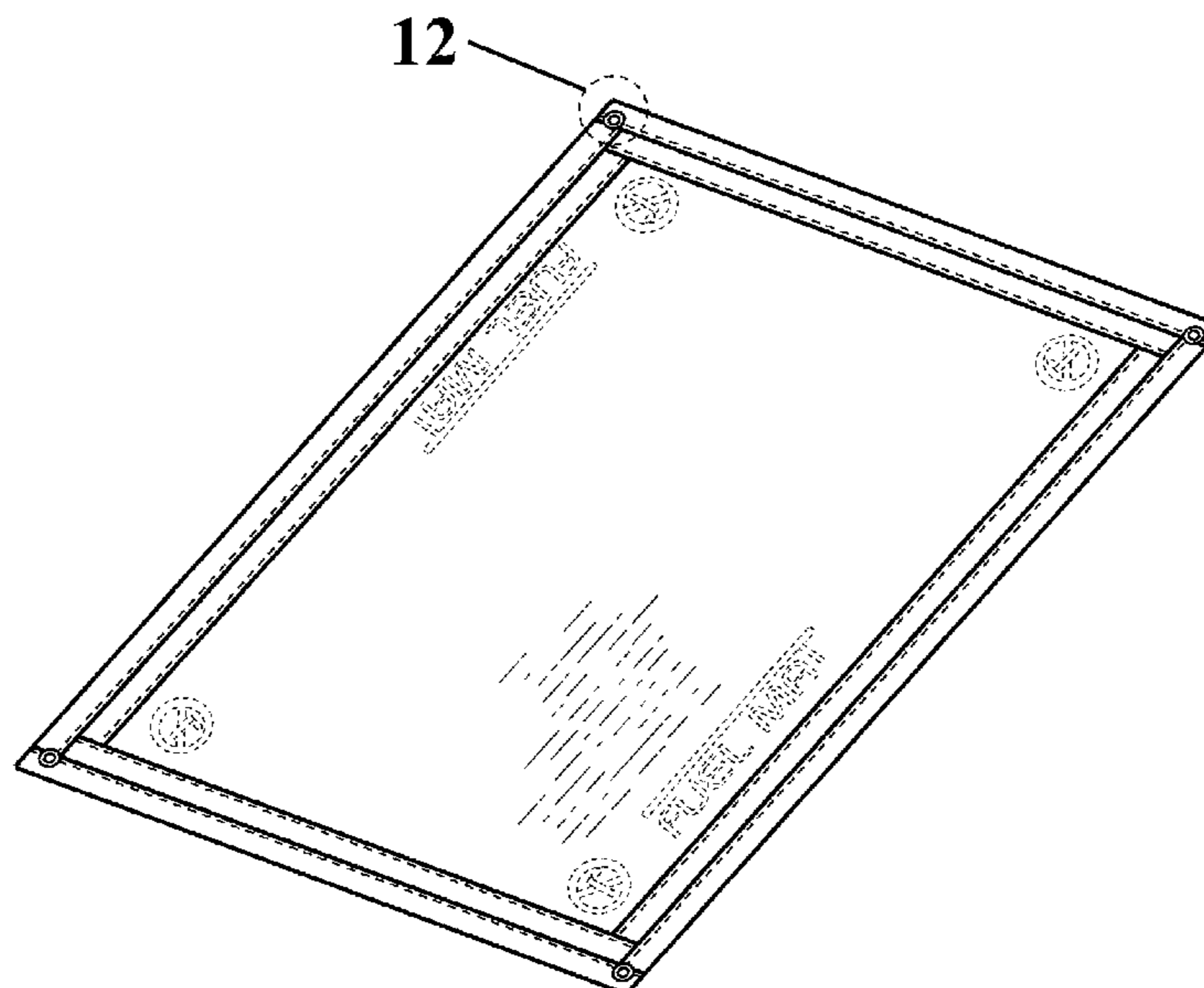
FIG. 1 is a top perspective view for a drip pad with pocket showing my new design;  
 FIG. 2 is a top side view in a first embodiment thereof;  
 FIG. 3 is a top side view in a second embodiment thereof;  
 FIG. 4 is a top side view in a third embodiment thereof;  
 FIG. 5 is a top side view in a fourth embodiment thereof;  
 FIG. 6 is a left side view thereof;  
 FIG. 7 is a right side view thereof.  
 FIG. 8 is a bottom side view thereof;  
 FIG. 9 is a front side view thereof;  
 FIG. 10 is a rear sectional view taken along lines 10-10 from FIG. 2 thereof; and,  
 FIG. 11 is a partially enlarged top perspective view thereof, taken from FIG. 1.  
 The even-length broken lines within FIGS. 1, 2, 3, 4, 5, 8 and 12 represent stitching and form no part of the claimed design. The broken lines in FIGS. 1 and 10 are included to show partially enlarged views only and form no part of the claimed design.  
 The broken line indicia in FIGS. 1 forms no part of the claimed design.

(56) **References Cited**

U.S. PATENT DOCUMENTS

|                |         |          |       |                         |
|----------------|---------|----------|-------|-------------------------|
| 4,353,944 A *  | 10/1982 | Tarui    | ..... | A47L 23/26<br>15/217    |
| 5,427,834 A *  | 6/1995  | Sodetz   | ..... | A47G 9/062<br>206/494   |
| D389,451 S *   | 1/1998  | Wilson   | ..... | D12/401                 |
| D414,642 S     | 10/1999 | Williams |       |                         |
| D414,972 S     | 10/1999 | Williams |       |                         |
| D423,440 S *   | 4/2000  | Sneed    | ..... | A47L 23/26<br>D12/203   |
| D455,383 S     | 4/2002  | Sneed    |       |                         |
| 6,367,083 B1 * | 4/2002  | November | ..... | A47G 9/064<br>2/69.5    |
| D598,833 S     | 8/2009  | Welle    |       |                         |
| 8,141,704 B2 * | 3/2012  | Ruhle    | ..... | A63B 55/00<br>206/315.2 |

**1 Claim, 8 Drawing Sheets**



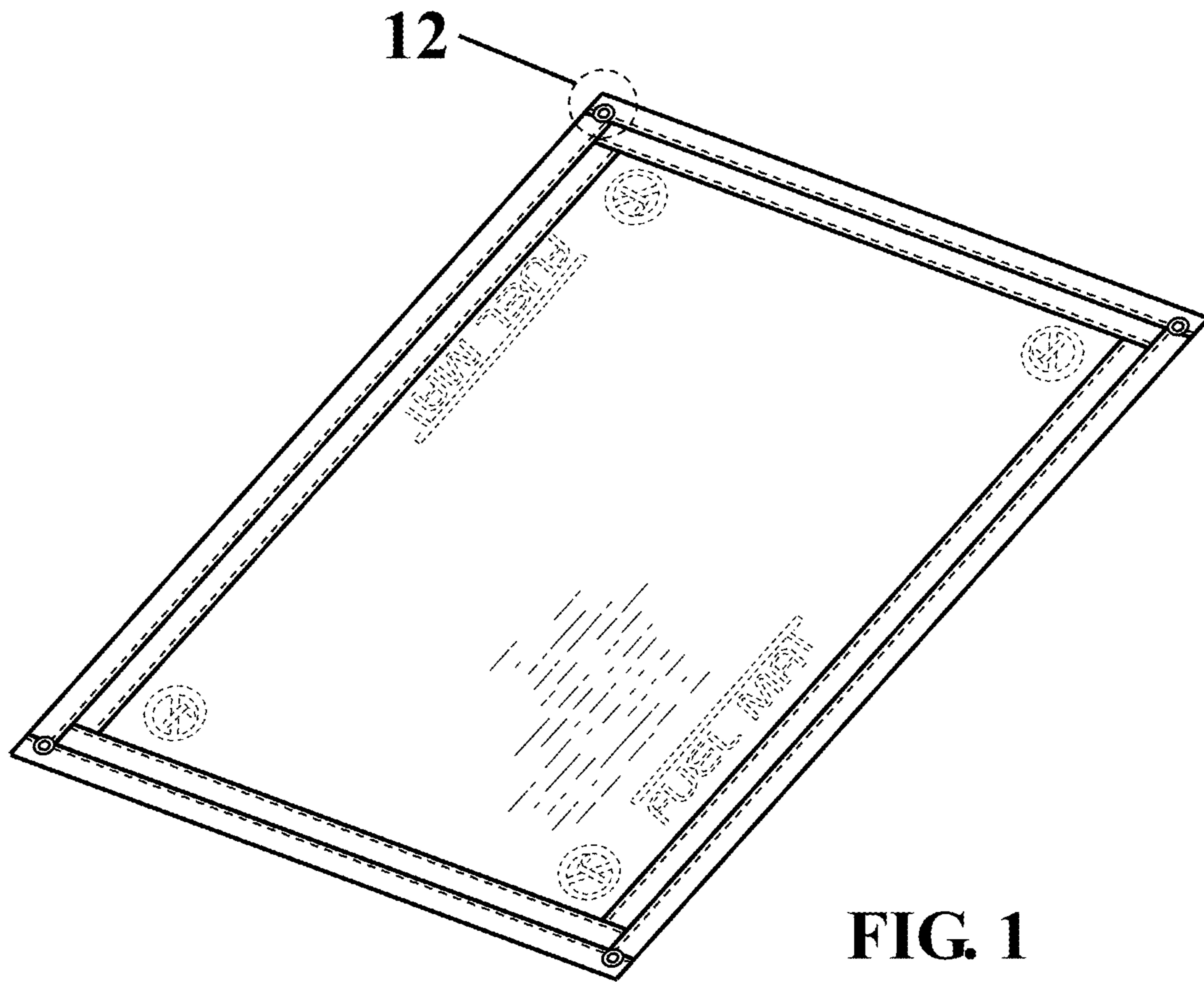
(56)

**References Cited**

U.S. PATENT DOCUMENTS

2004/0237194 A1\* 12/2004 McMahan ..... A47G 27/0231  
5/420  
2015/0113730 A1\* 4/2015 Wentland ..... A47G 27/0225  
5/417  
2016/0166093 A1\* 6/2016 Wong-Shaw ..... A47G 9/062  
383/4

\* cited by examiner



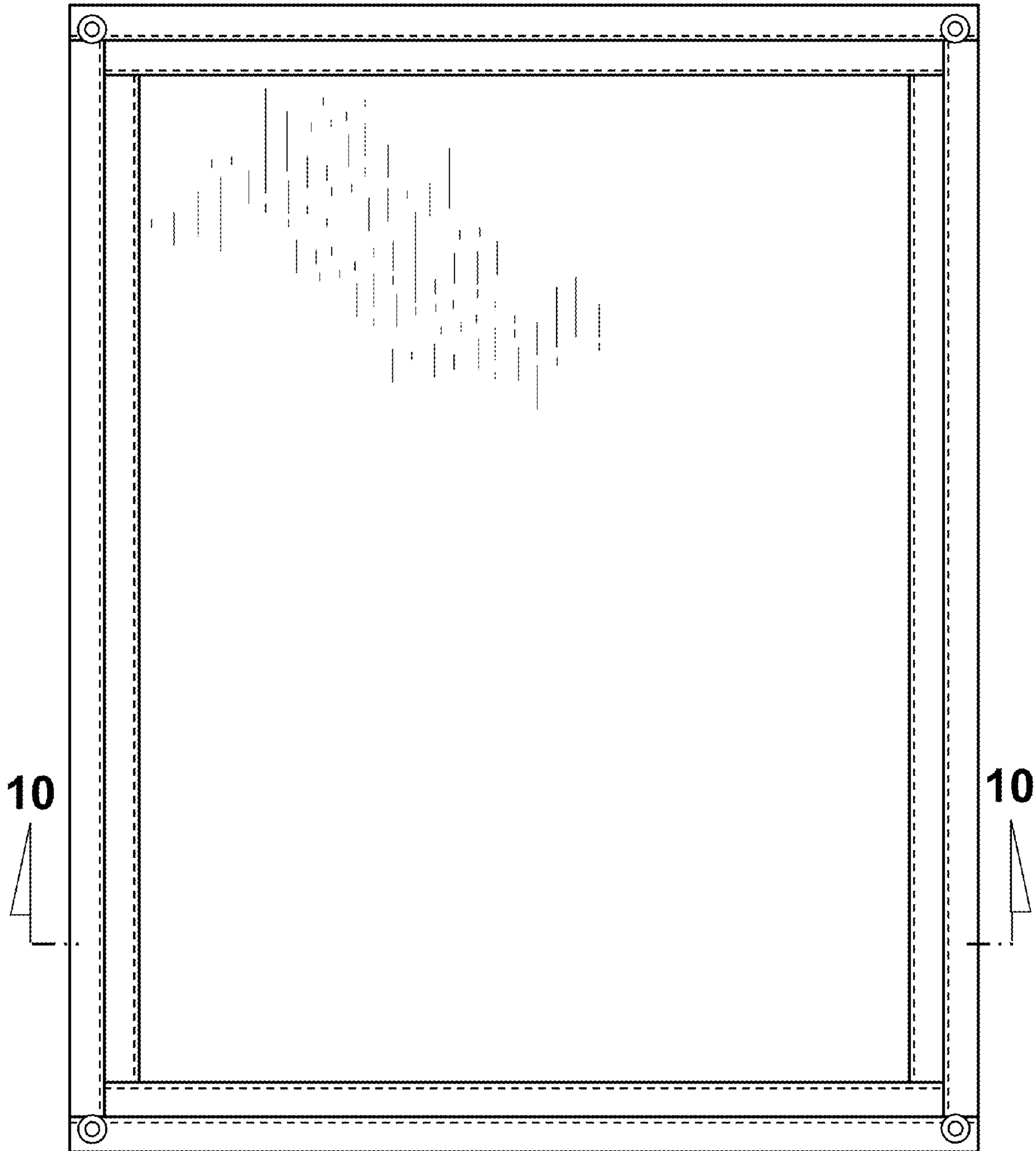
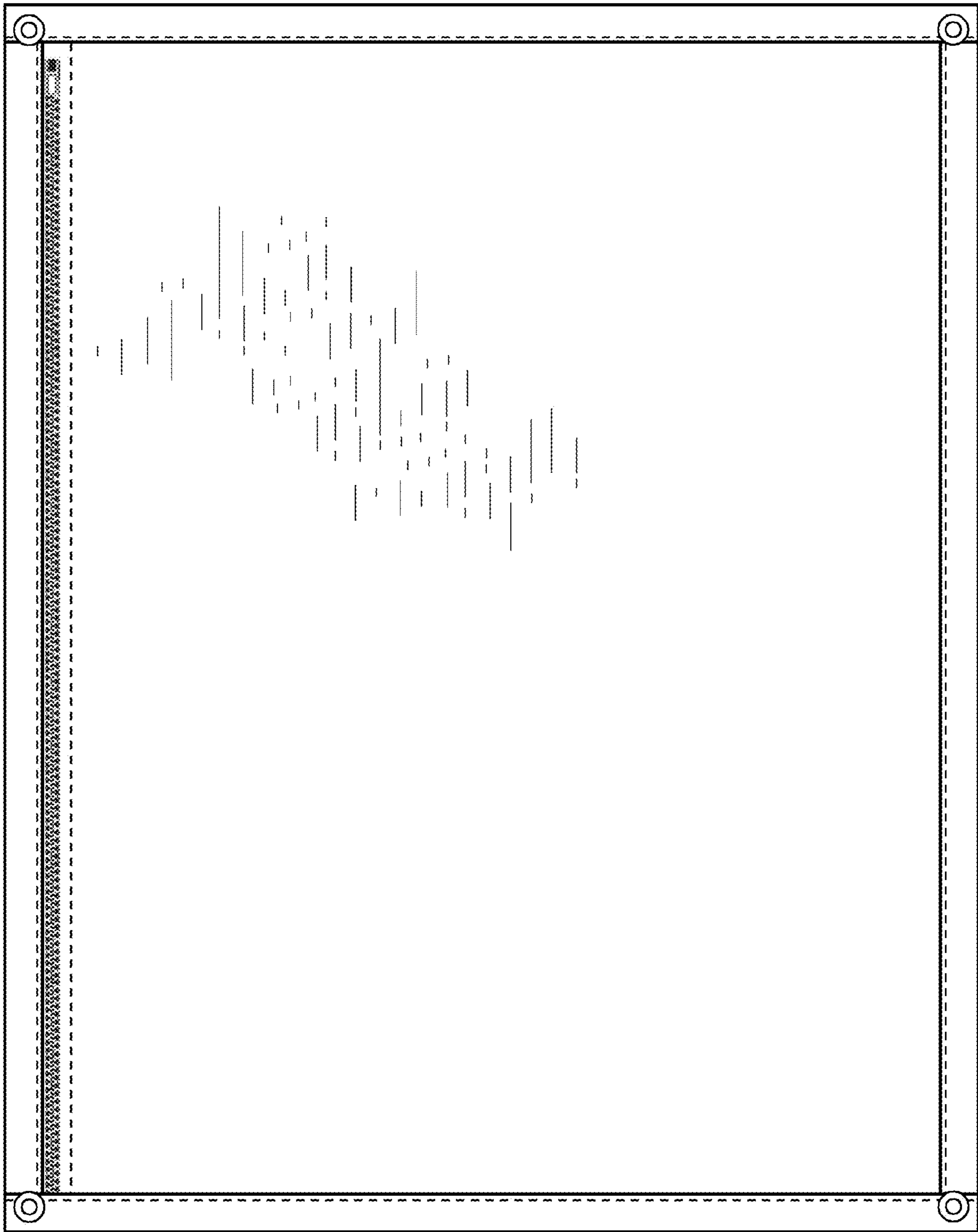


FIG. 2



**FIG. 3**

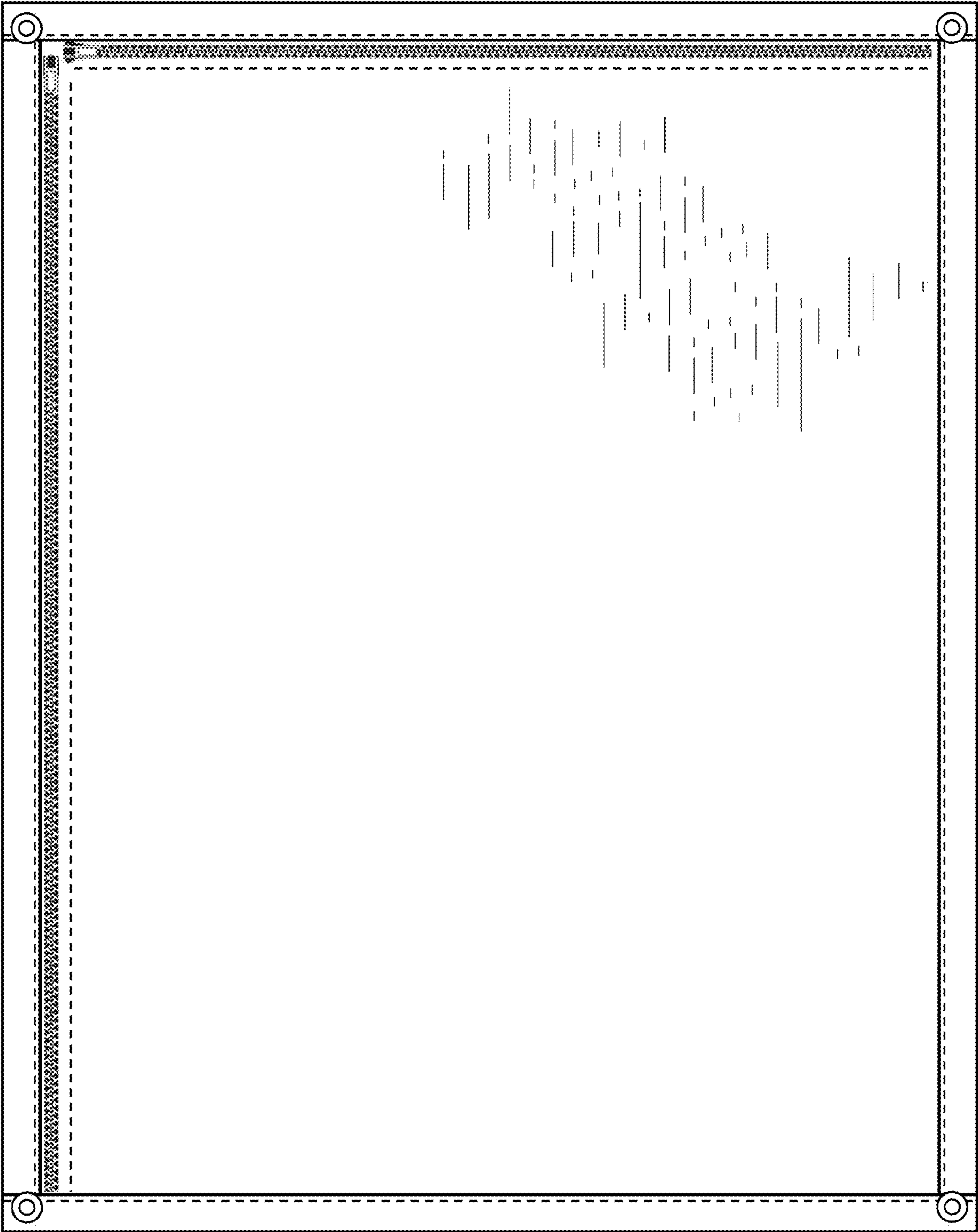


FIG. 4

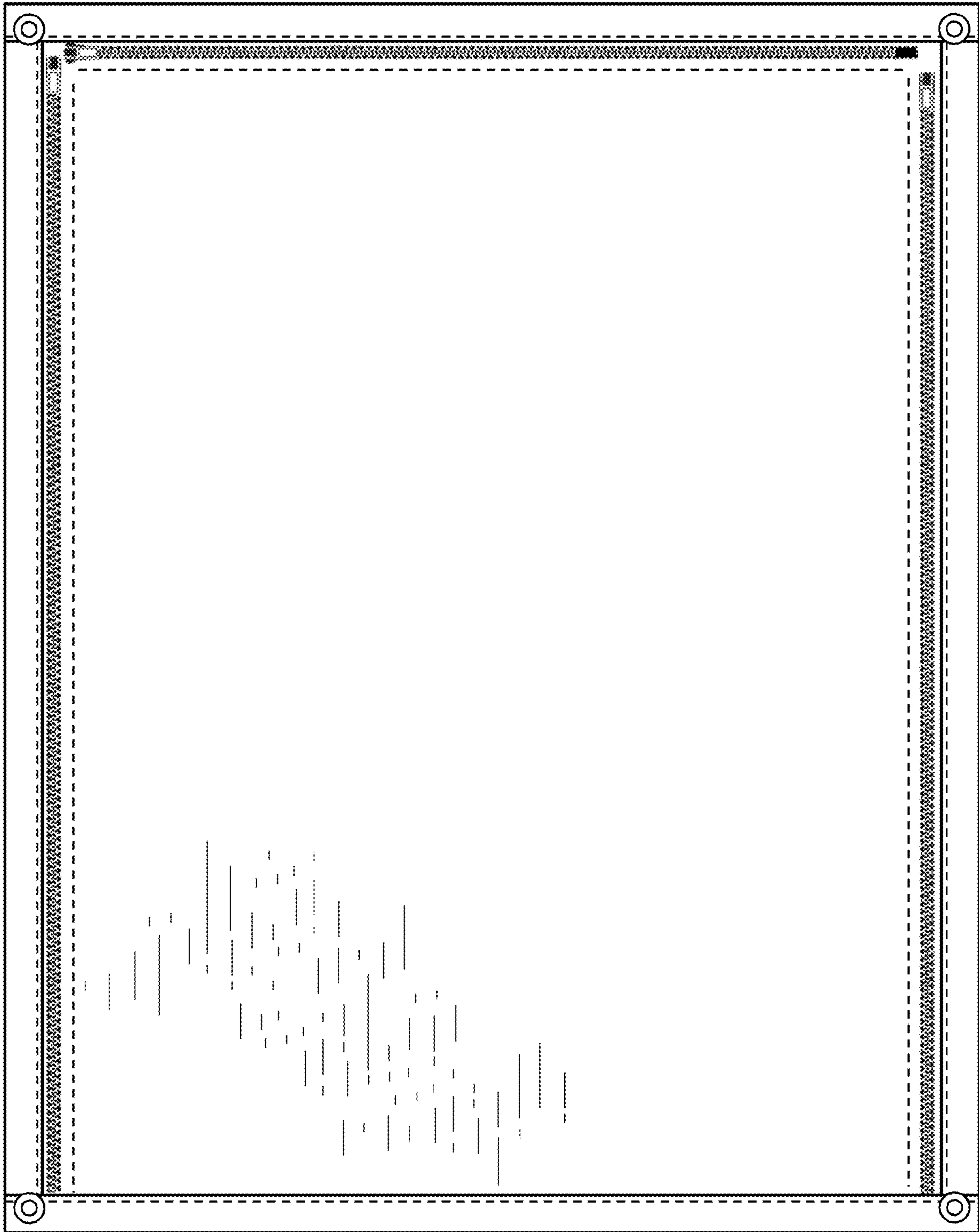


FIG. 5



**FIG. 6**



**FIG. 7**



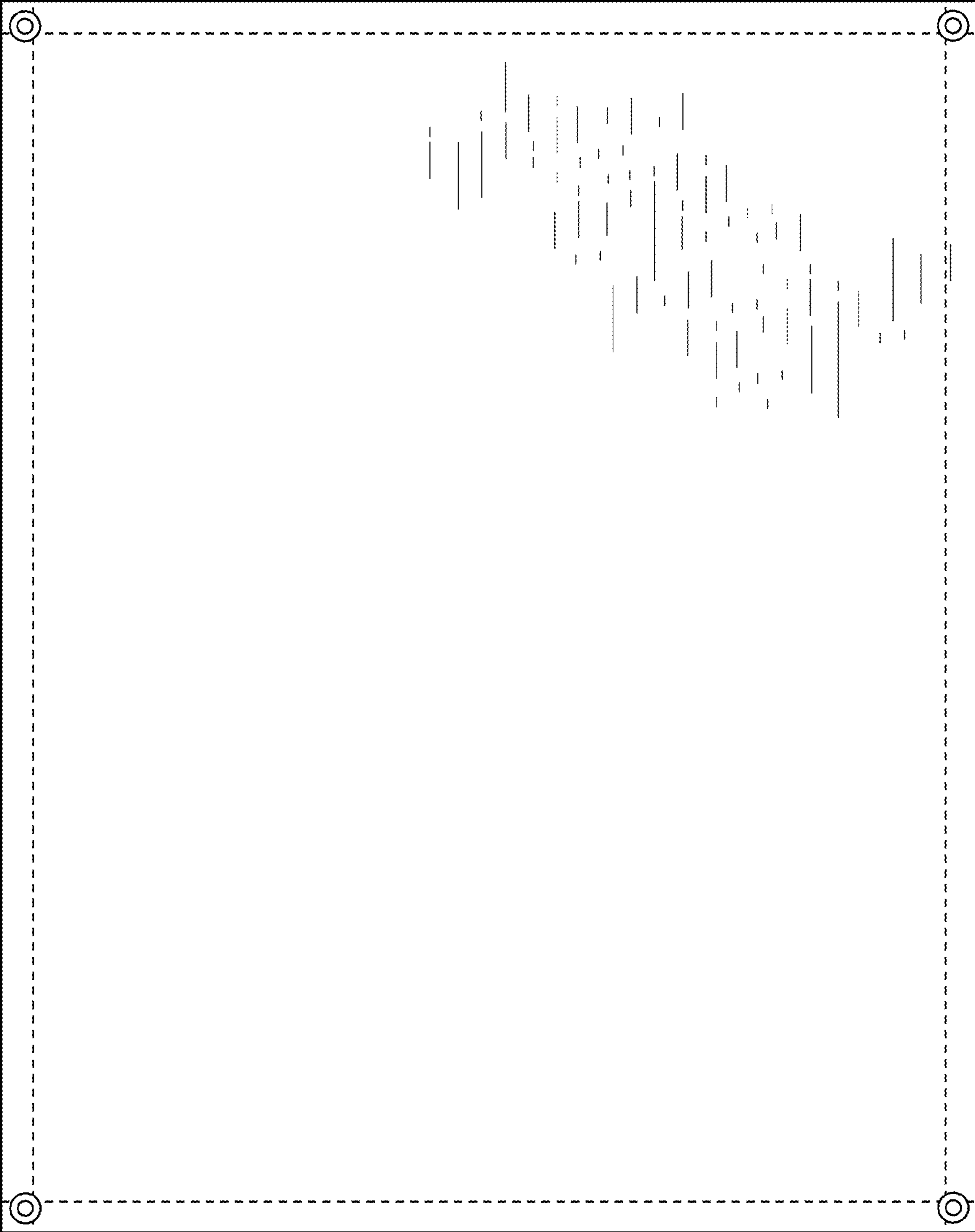


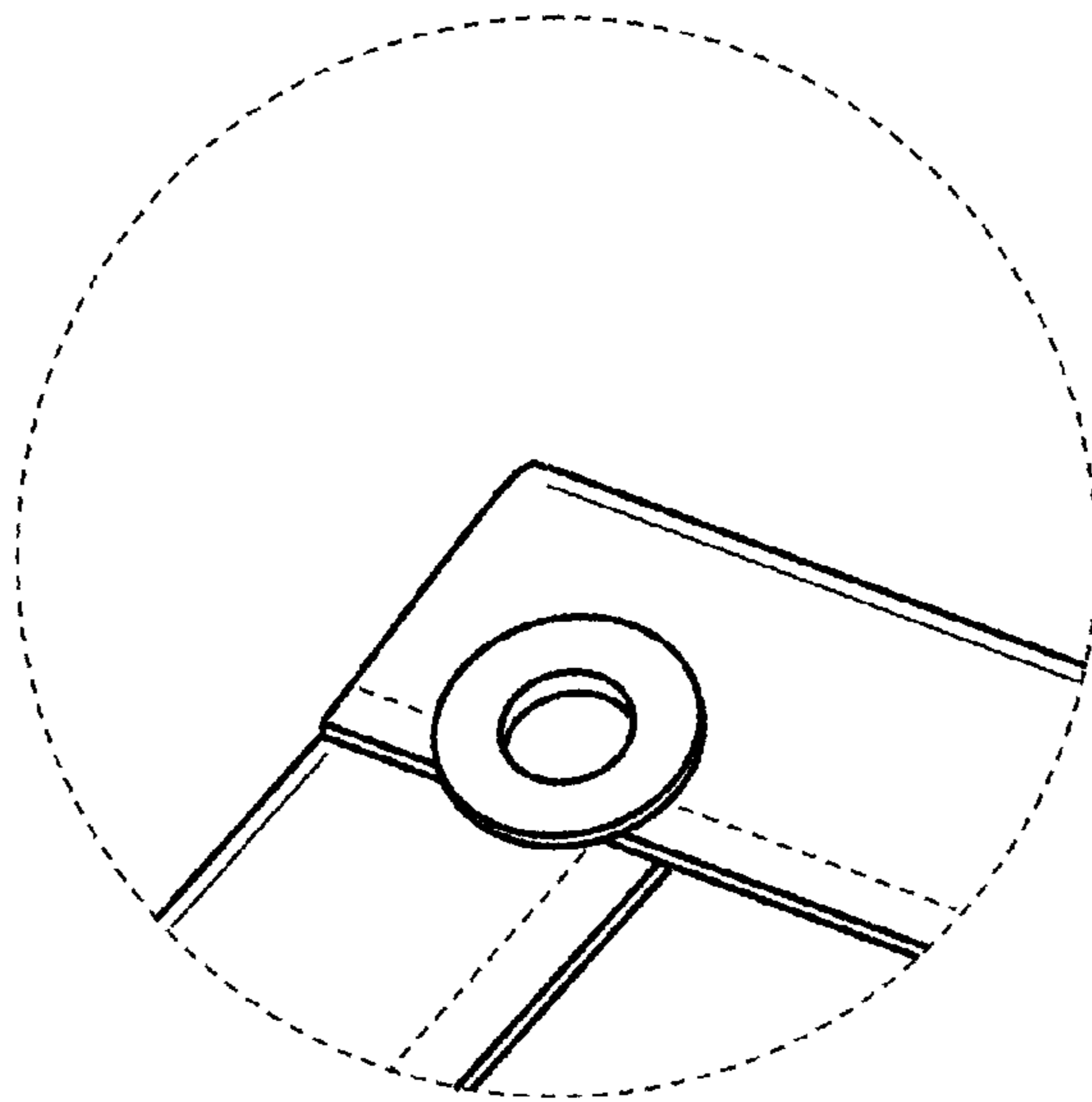
FIG. 8



**FIG. 9**



**FIG. 10**



**FIG. 11**