



US00D964239S

(12) **United States Design Patent** (10) **Patent No.:** **US D964,239 S**
Taverna (45) **Date of Patent:** **** Sep. 20, 2022**

(54) **SIDE ROCKER PANEL FOR AN AUTOMOBILE**
(71) Applicant: **Advanced Composite Specialties, Inc., Montreal (CA)**
(72) Inventor: **Joseph Taverna, Montreal (CA)**
(73) Assignee: **Advanced Composite Specialties, Inc., Montreal (CA)**

(**) Term: **15 Years**
(21) Appl. No.: **29/771,088**

(22) Filed: **Feb. 19, 2021**
(51) **LOC (13) Cl.** **12-16**
(52) **U.S. Cl.**
USPC **D12/196**
(58) **Field of Classification Search**
USPC D12/86, 163, 169, 173, 181, 190, 192, D12/193, 196, 400
CPC B62D 25/2036; B62D 35/008; B60R 13/04
See application file for complete search history.

(56) **References Cited**

U.S. PATENT DOCUMENTS

D399,465 S * 10/1998 Saleen D12/190
D432,476 S * 10/2000 Damon D12/196
D447,990 S * 9/2001 Yokomaku D12/190
D464,596 S * 10/2002 Yokomaku D12/190
D468,671 S * 1/2003 Tampi D12/190
D472,861 S * 4/2003 Saleen D12/196
D502,134 S * 2/2005 Chan D12/196
D535,236 S * 1/2007 Matei D12/196
D539,200 S * 3/2007 Chan D12/190
D606,472 S * 12/2009 Penders D12/190
D607,391 S * 1/2010 Krauss D12/190
8,083,285 B2 * 12/2011 Yanagida B62D 25/2036
296/29
D698,295 S * 1/2014 Lane, II D12/203
D754,580 S * 4/2016 Laviolette D12/196

D772,771 S * 11/2016 Battams D12/196
D813,135 S * 3/2018 Baeza D12/203
D840,890 S * 2/2019 Lu D12/196
D847,711 S * 5/2019 Leong D12/190
D923,545 S * 6/2021 Li D12/196
2013/0009425 A1 * 1/2013 Flajnik B62D 35/008
296/209

(Continued)

OTHER PUBLICATIONS

“Powerful Personalization”, Oct. 2019, retrieved on Feb. 19, 2021 from <https://www.vehicleaccessorycenter.com/inc/files/editor/files/2020%20Corvette%20Carbon%20Fiber%20Hero%20Card.pdf>.

(Continued)

Primary Examiner — Susan E Krakower

Assistant Examiner — Jerry Shiuan-Hua Hsu

(74) *Attorney, Agent, or Firm* — Caesar Rivise, PC

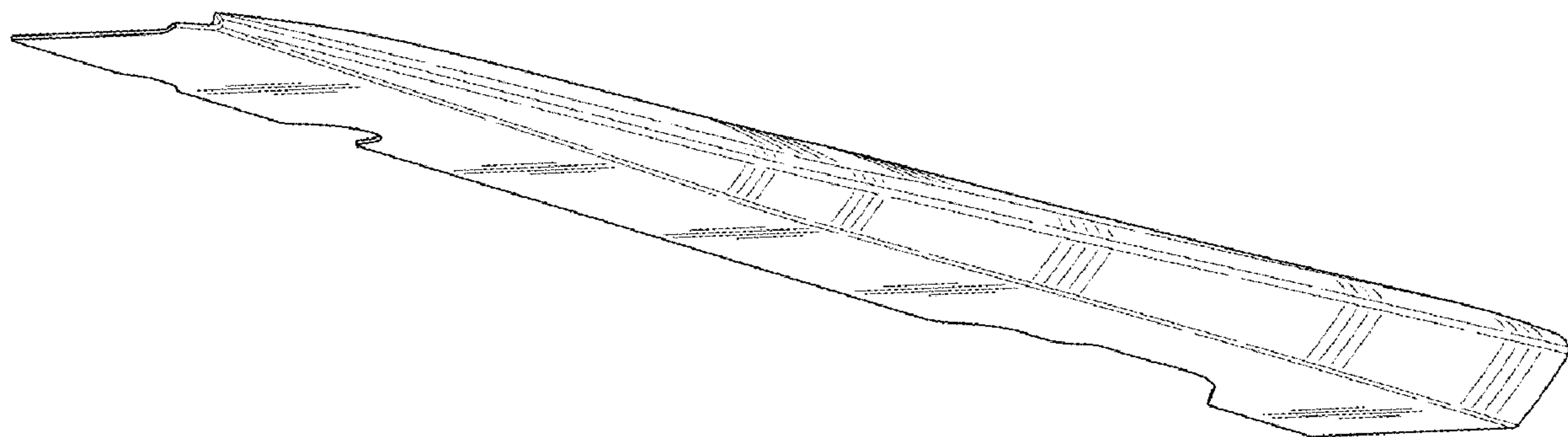
(57) **CLAIM**

The ornamental design for a side rocker panel for an automobile, as shown and described.

DESCRIPTION

FIG. 1 is an isometric view of a side rocker panel for an automobile showing my new design;
FIG. 2 is a front elevation view of the side rocker panel for the automobile of FIG. 1;
FIG. 3 is a back elevation view of the side rocker panel for the automobile of FIG. 1;
FIG. 4 is a right side elevation view of the side rocker panel for the automobile of FIG. 1;
FIG. 5 is a left side elevation view of the side rocker panel for the automobile of FIG. 1;
FIG. 6 is a top plan view of the side rocker panel for the automobile of FIG. 1; and,
FIG. 7 is a bottom plan view of the side rocker panel for the automobile of FIG. 1.

1 Claim, 4 Drawing Sheets



(56)

References Cited

U.S. PATENT DOCUMENTS

2013/0069396 A1* 3/2013 Atkinson B60R 13/04
296/209

OTHER PUBLICATIONS

“2021 Chevrolet Corvette”, retrieved on Feb. 19, 2021 from <https://accessories.chevrolet.com/product/ground-effects-kit-in-visible-carbon-fiber-84137506?year=2021&make=Chevrolet&model=Corvette&modelId=440&body=Coupe&bodyId=9&wheelId=1&trim=Stingray&trimId=487&drive=RWD&driveId=7&engine=6.2L%20V8%20GAS&engineId=5920&bodyNumDoors=7>.

* cited by examiner

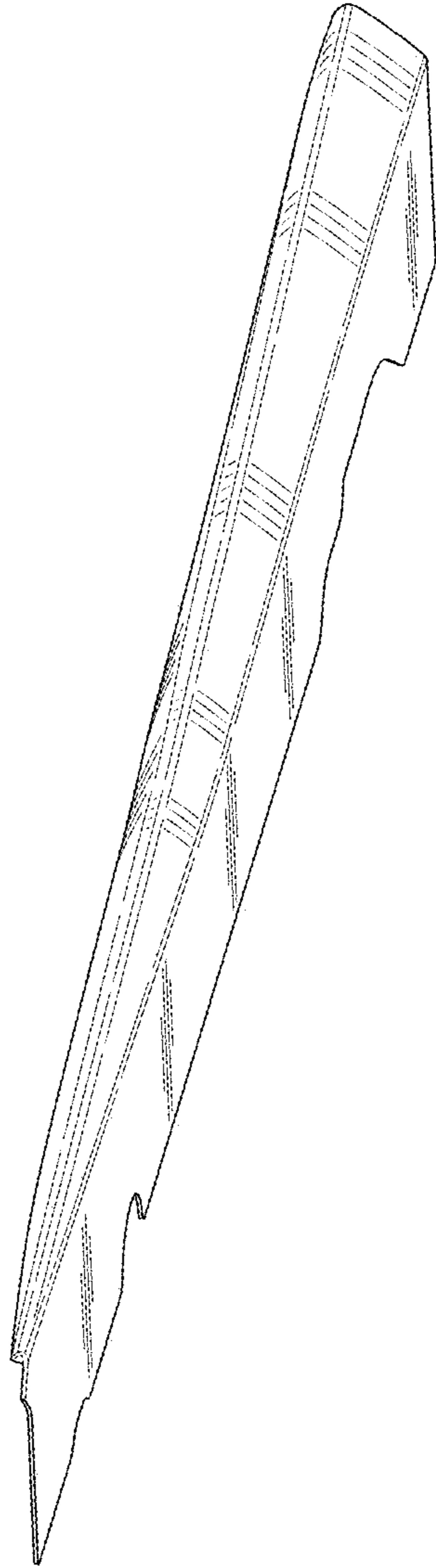


FIG. 1

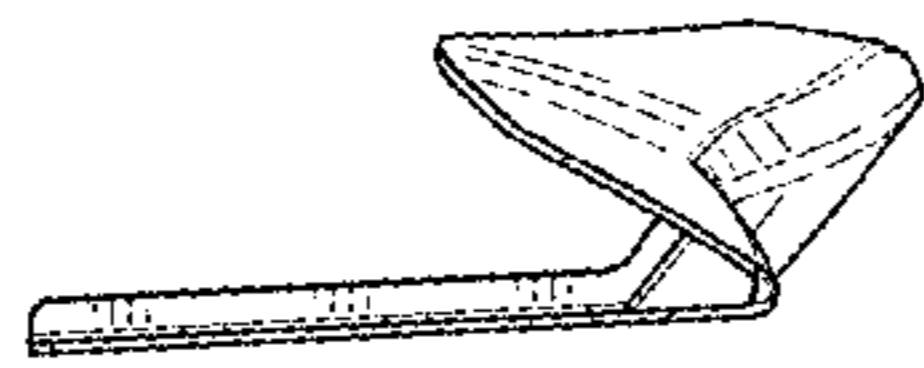


FIG. 2

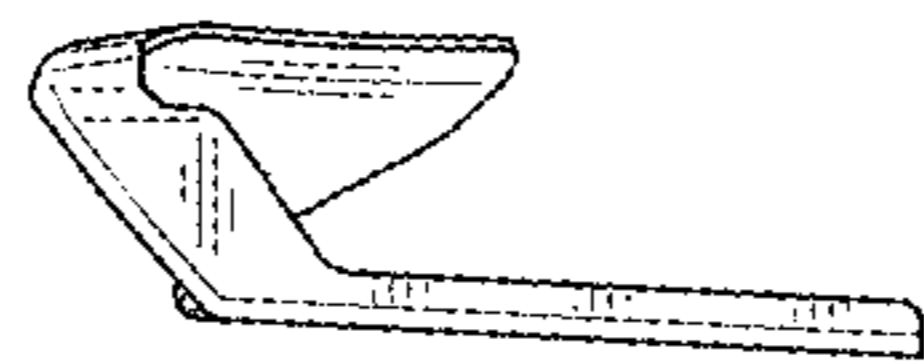


FIG. 3

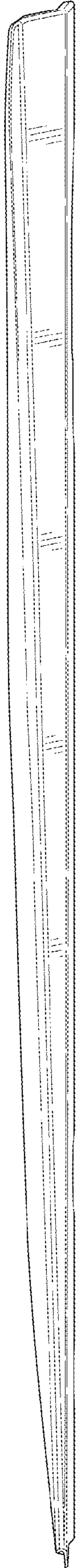


FIG. 4

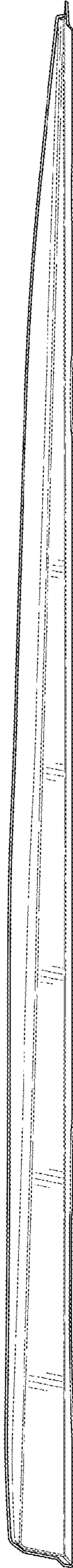


FIG. 5

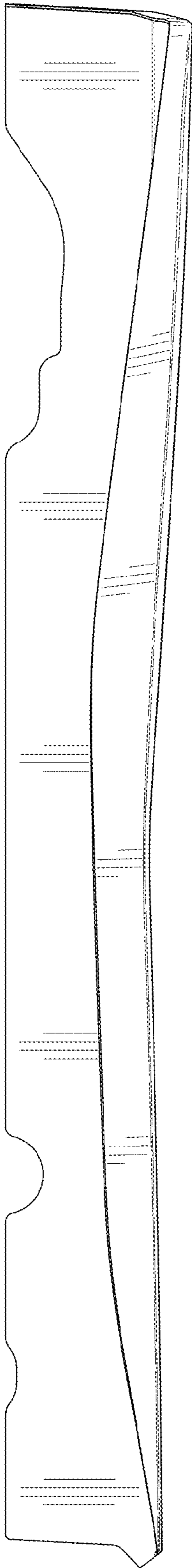


FIG. 6

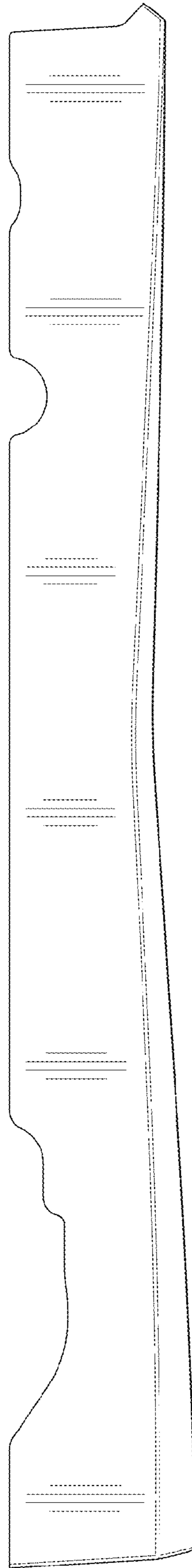


FIG. 7