



US00D964238S

(12) **United States Design Patent** (10) **Patent No.:** **US D964,238 S**
Wraith et al. (45) **Date of Patent:** **** Sep. 20, 2022**

(54) **VEHICLE DOOR**

3/32; B60R 13/02; B60R 13/0206; B60R 13/0243; B60R 21/0428

(71) Applicant: **Ford Global Technologies, LLC**, Dearborn, MI (US)

See application file for complete search history.

(72) Inventors: **Paul Wraith**, West Bloomfield, MI (US); **Ryan A. Olsson**, Farmington Hills, MI (US); **Dong Hoon Park**, Canton, MI (US)

(56) **References Cited**

U.S. PATENT DOCUMENTS

D414,736 S * 10/1999 David D12/196
D589,845 S * 4/2009 Shamenkov D12/92
D842,183 S * 3/2019 Jackson D12/195

(Continued)

(73) Assignee: **Ford Global Technologies, LLC**, Dearborn, MI (US)

OTHER PUBLICATIONS

(**) Term: **15 Years**

Ford Bronco, Published Nov. 20, 2020 [online], [retrieved on Jun. 3, 2022]. Retrieved from the Internet: <https://www.motortrend.com/news/ford-bronco-sasquatch-concept-extreme-off-roader-wants/> (Year: 2020).*

(21) Appl. No.: **29/766,223**

(22) Filed: **Jan. 14, 2021**

Related U.S. Application Data

(62) Division of application No. 29/758,822, filed on Nov. 18, 2020.

Primary Examiner — Cary M Robinson

Assistant Examiner — Adam C Mager

(74) *Attorney, Agent, or Firm* — Michael Spenner

(51) **LOC (13) Cl.** **12-16**

(52) **U.S. Cl.**
USPC **D12/196**

(57) **CLAIM**

The ornamental design for a vehicle door, as shown and described.

(58) **Field of Classification Search**

USPC ... D12/1, 12, 13, 14, 15, 82, 83, 84, 85, 86, D12/88, 89, 90, 91, 92, 93, 94, 95, 96, D12/97, 98, 99, 100, 181, 184, 185, 190, D12/192, 195, 196, 400, 414; D21/533, D21/548, 552, 561; D15/10, 11, 12, 22, D15/23, 24, 25, 26, 28, 30, 33

CPC B60J 5/00; B60J 5/02; B60J 5/04; B60J 5/0412; B60J 5/0413; B60J 5/0425; B60J 5/0437; B60J 5/0441; B60J 5/0444; B60J 5/0447; B60J 5/0452; B60J 5/0463; B60J 5/0469; B60J 5/0476; B60J 5/0483; B60J 5/0486; B60J 5/0487; B60J 5/049; B60J 5/10; B60J 5/101; B60J 5/102; B60J 5/103; B60J 5/107; B62D 25/02; B62D 25/04; B62D 25/08; B62D 25/087; B62D 25/10; B62D 25/105; B62D 35/00; B60P

DESCRIPTION

FIG. 1 is a front elevational view of a vehicle door showing our new design;

FIG. 2 is a left side elevational view thereof;

FIG. 3 is a right side elevational view thereof;

FIG. 4 is a top plan view thereof;

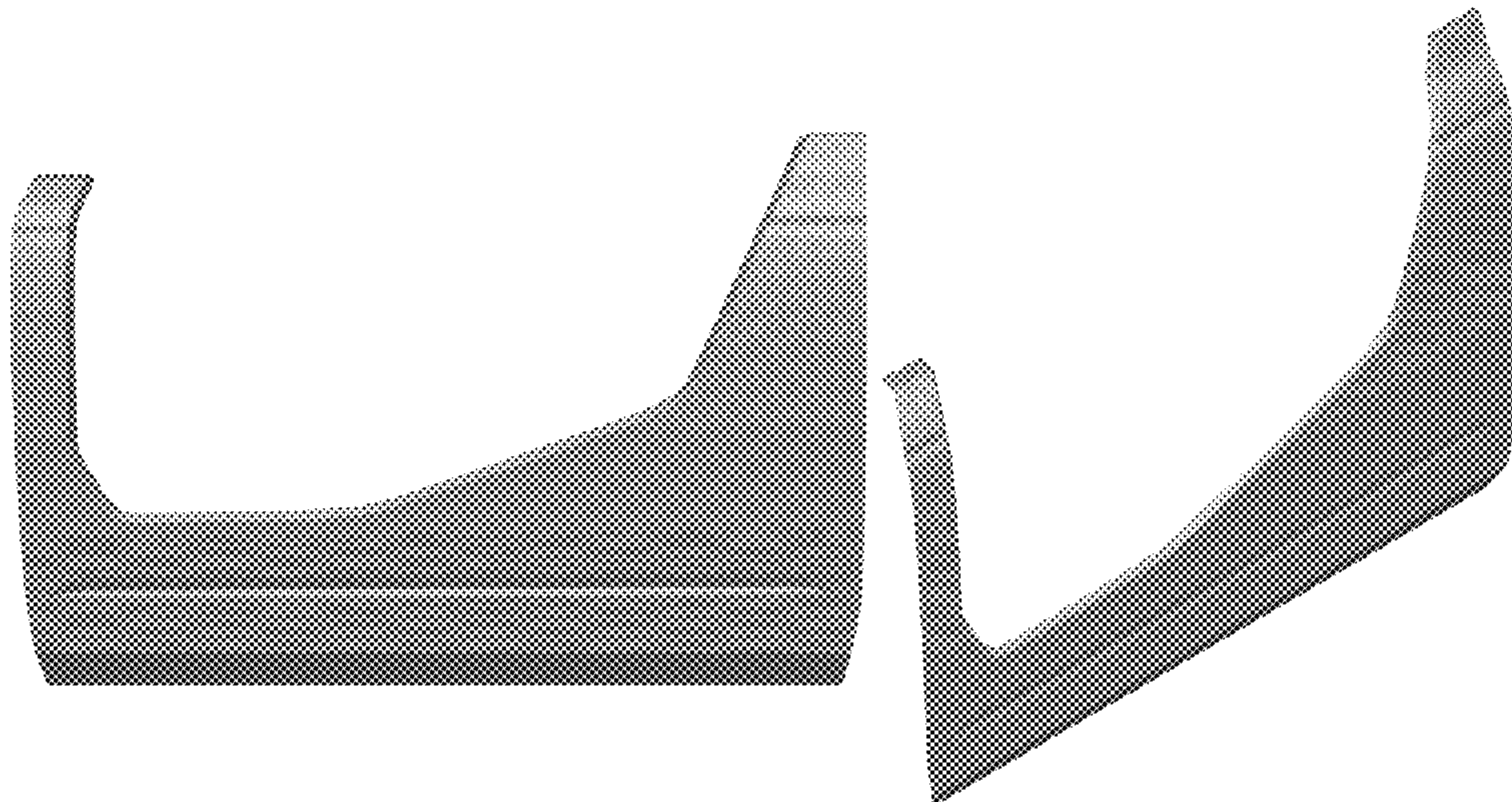
FIG. 5 is a bottom plan view thereof.

FIG. 6 is a top, front, and left side perspective view thereof; and,

FIG. 7 is a top, front, and right side perspective view thereof.

The claimed design is indicated by the relatively dark portions in the figures. The de-emphasized and relatively light portions form no part of the claimed design.

1 Claim, 7 Drawing Sheets



(56)

References Cited

U.S. PATENT DOCUMENTS

D851,004 S * 6/2019 Jackson D12/196
D883,162 S * 5/2020 McMath D12/196
D883,163 S * 5/2020 McMath D12/196
D883,164 S * 5/2020 McMath D12/196
D933,559 S * 10/2021 Wraith D12/196
D937,725 S * 12/2021 Rolfs D12/196
2019/0061490 A1 * 2/2019 Getzschman B60J 1/10
2021/0237544 A1 * 8/2021 Schultz B60R 13/0243
2022/0111708 A1 * 4/2022 Krapfl B60J 5/0463

* cited by examiner

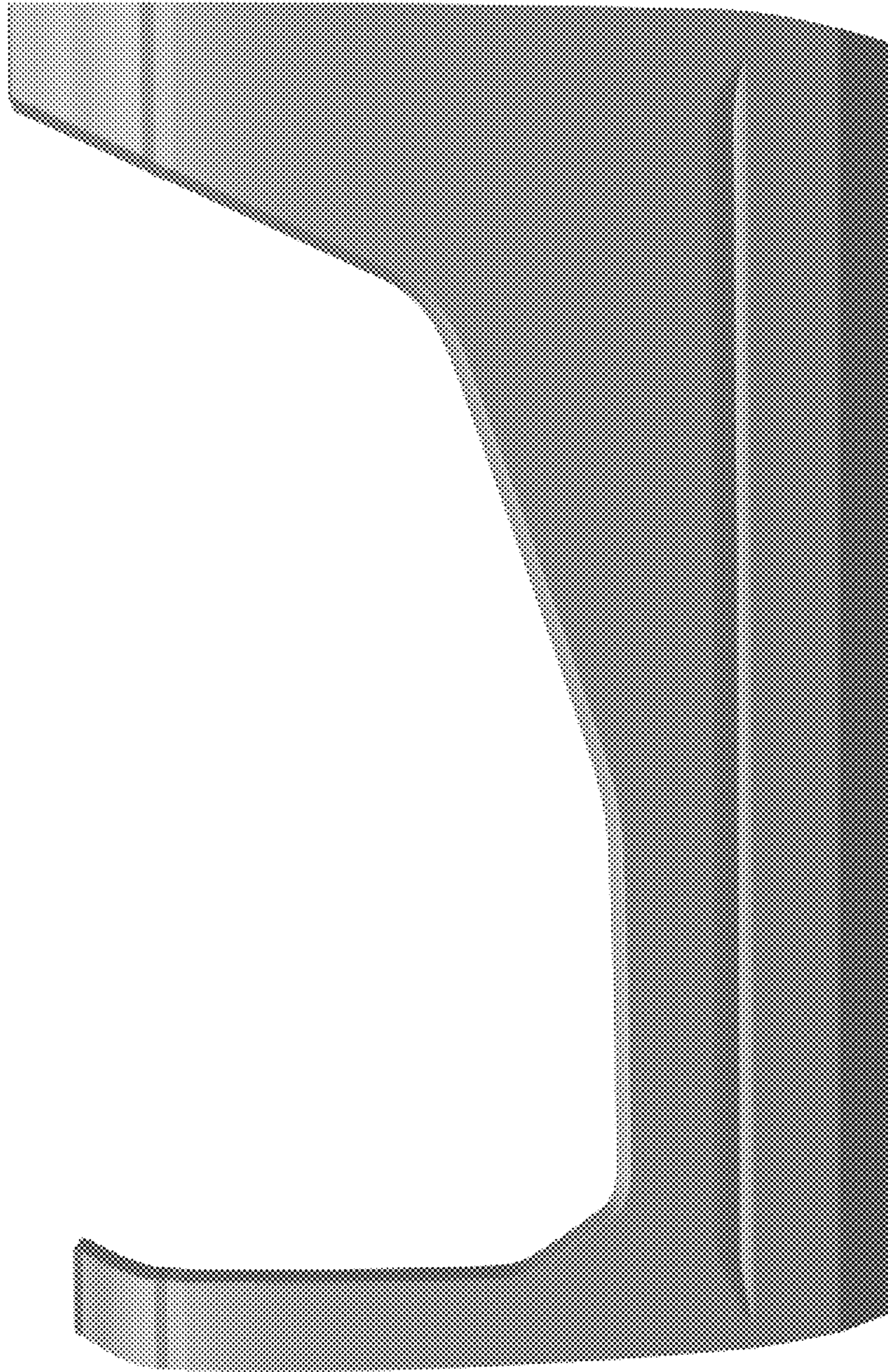


Fig.1

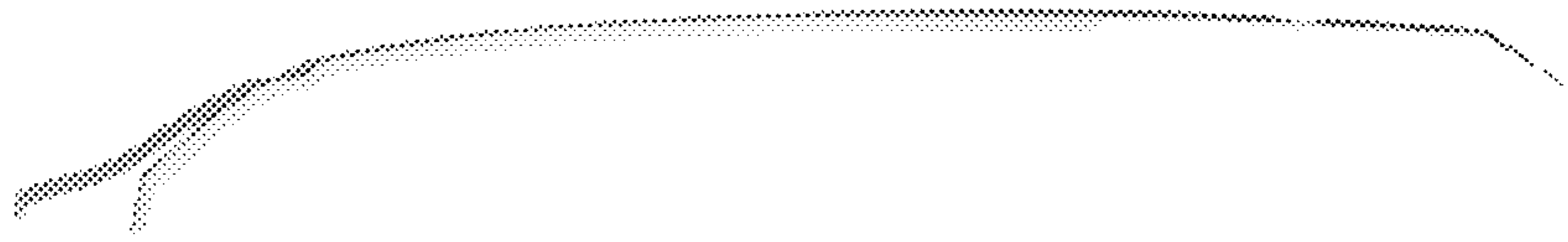


Fig.2

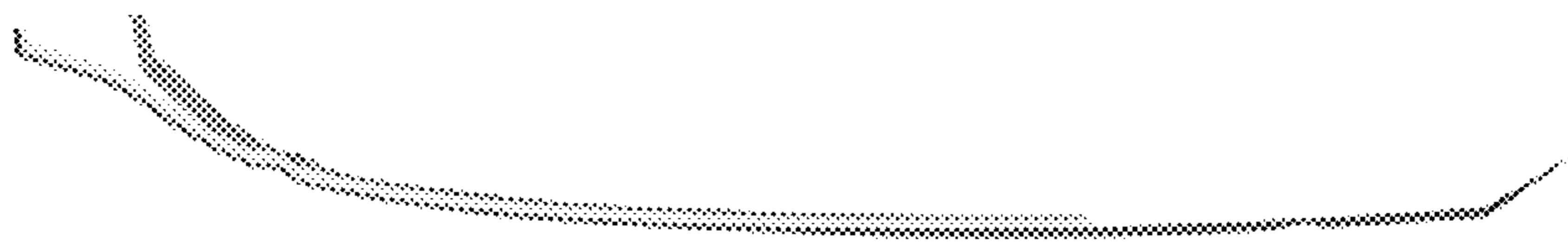


Fig. 3

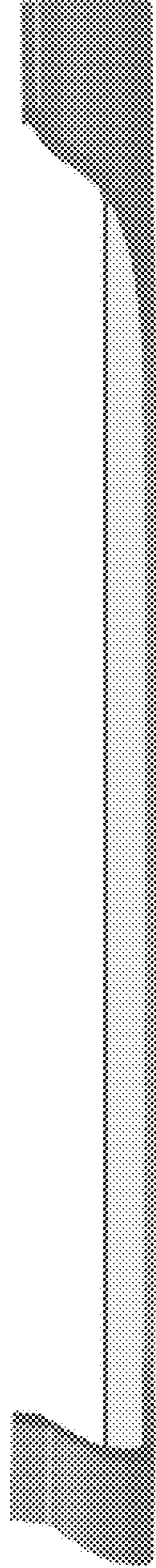


Fig. 4

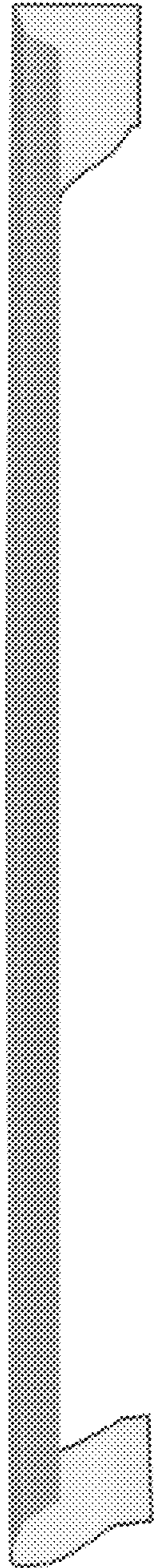


Fig. 5

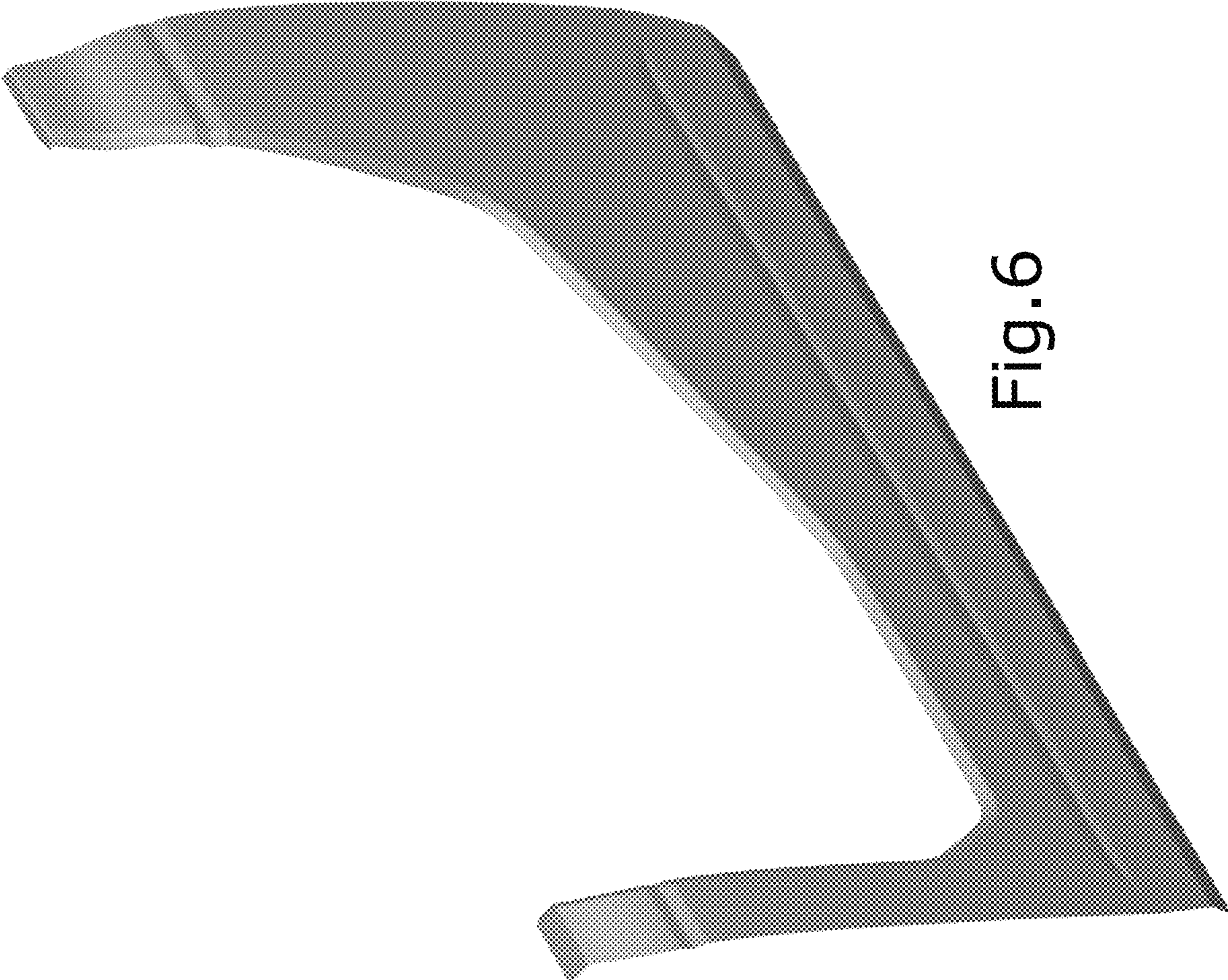


Fig. 6

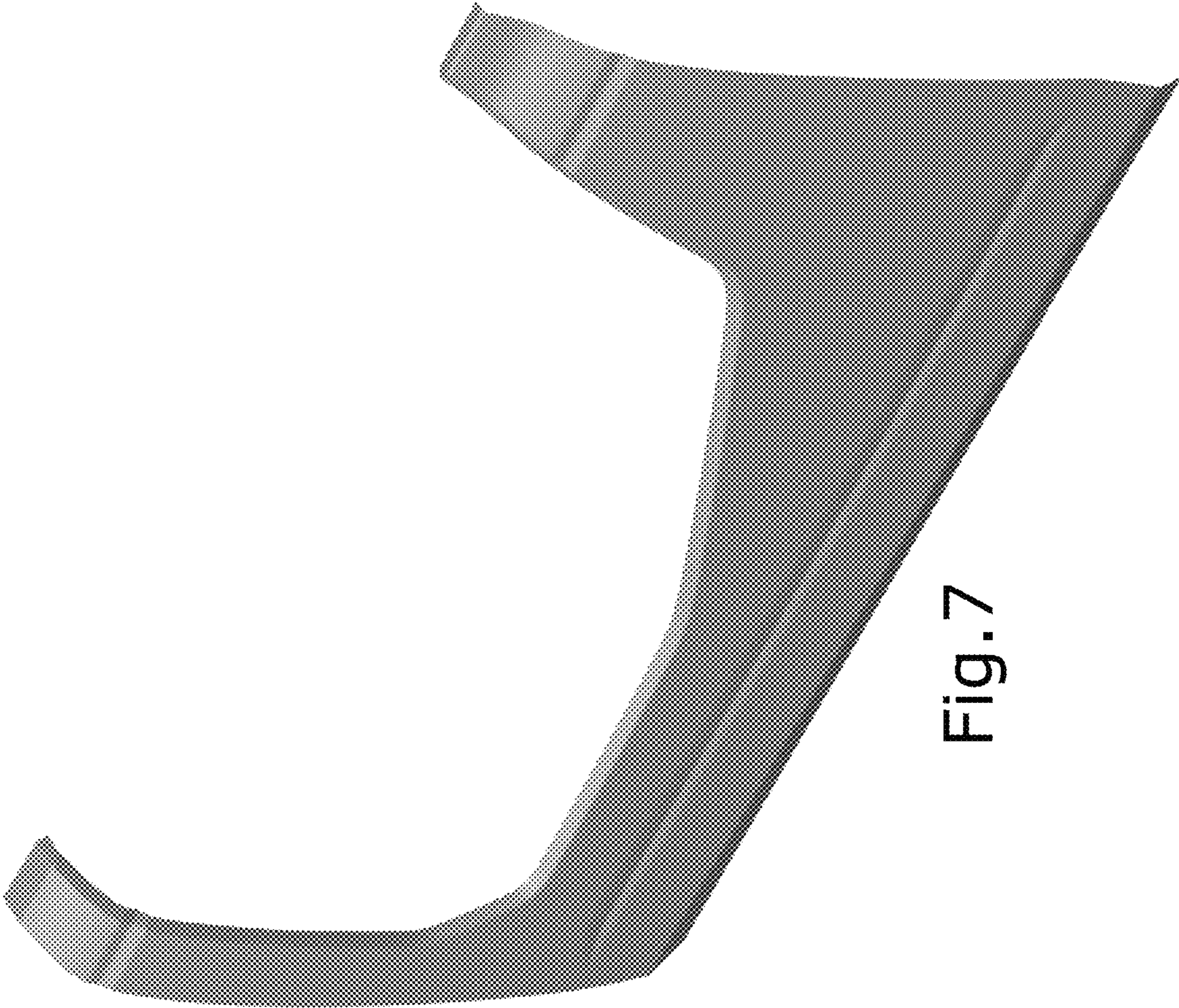


Fig. 7