

US00D964236S

(12) **United States Design Patent** (10) **Patent No.:** **US D964,236 S**
Lim (45) **Date of Patent:** **** Sep. 20, 2022**

(54) **TAILGATE FOR A VEHICLE**

(71) Applicant: **Bayerische Motoren Werke Aktiengesellschaft, Munich (DE)**
(72) Inventor: **Seungmo Lim, Munich (DE)**
(73) Assignee: **Bayerische Motoren Werke Aktiengesellschaft, Munich (DE)**

(**) Term: **15 Years**
(21) Appl. No.: **29/747,499**
(22) Filed: **Aug. 24, 2020**

(30) **Foreign Application Priority Data**

Feb. 28, 2020 (DE) 402020100204

(51) **LOC (13) Cl.** **12-16**

(52) **U.S. Cl.**
USPC **D12/196**

(58) **Field of Classification Search**

USPC ... D12/1, 12, 13, 14, 15, 82, 83, 84, 85, 86, D12/88, 89, 90, 91, 92, 93, 94, 95, 96, D12/97, 98, 99, 100, 181, 184, 185, 190, D12/192, 195, 196, 400, 414; D21/533, D21/548, 552, 561; D15/10, 11, 12, 22, D15/23, 24, 25, 26, 28, 30, 33

CPC B60J 5/00; B60J 5/02; B60J 5/04; B60J 5/0412; B60J 5/0413; B60J 5/0425; B60J 5/0437; B60J 5/0441; B60J 5/0444; B60J 5/0447; B60J 5/0452; B60J 5/0463; B60J 5/0469; B60J 5/0476; B60J 5/0483; B60J 5/0486; B60J 5/0487; B60J 5/049; B60J 5/10; B60J 5/101; B60J 5/102; B60J 5/103; B60J 5/107; B62D 25/02; B62D 25/04;

(Continued)

(56) **References Cited**

U.S. PATENT DOCUMENTS

D514,491 S 2/2006 Nagashima
D585,004 S * 1/2009 Leclercq D12/196
D638,338 S 5/2011 Huet

(Continued)

FOREIGN PATENT DOCUMENTS

WO WO DM/065775 11/2004
WO WO DM/072056 1/2010

(Continued)

OTHER PUBLICATIONS

I4 eDrive40 2022, Published date unavailable [online], [retrieved on May 26, 2022]. Retrieved from the Internet: <https://www.bmwusa.com/build-your-own.html#/studio/erm9nno5/exterior/color> (Year: 2022).*

Primary Examiner — Cary M Robinson

Assistant Examiner — Adam C Mager

(74) *Attorney, Agent, or Firm* — Crowell & Moring LLP

(57) **CLAIM**

The ornamental design for a tailgate for a vehicle, as shown and described.

DESCRIPTION

This application contains subject matter related to the following co-pending U.S. design patent applications:

Application Ser. No. 29/725,350, filed Feb. 25, 2020 and entitled "Trunk Lid for a Vehicle"; and

Application Ser. No. 29/747,493, filed herewith and entitled "Vehicle, Toy, and/or Replicas Thereof".

FIG. 1 is a front view of a tailgate for a vehicle according to the design;

FIG. 2 is a left, bottom perspective view thereof;

FIG. 3 is a right, front perspective view thereof;

FIG. 4 is a left side view thereof;

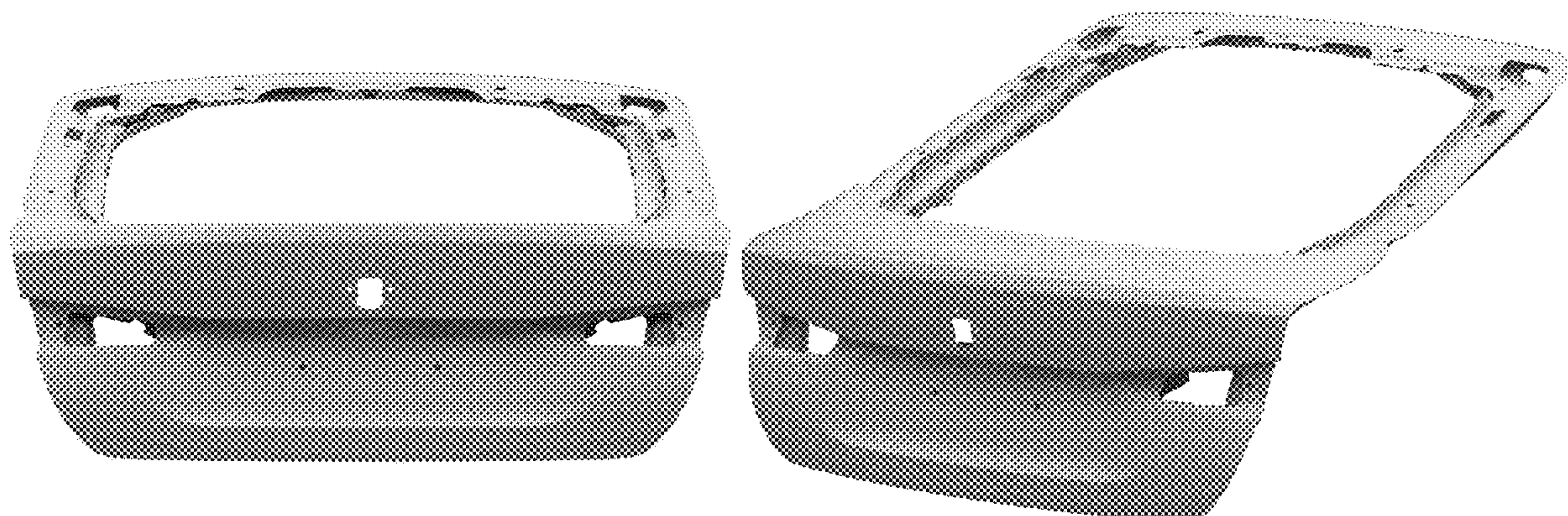
FIG. 5 is a right side view thereof;

FIG. 6 is a top view thereof;

FIG. 7 is a bottom view thereof; and,

FIG. 8 is a rear view thereof.

1 Claim, 8 Drawing Sheets



(58) **Field of Classification Search**

CPC B62D 25/08; B62D 25/087; B62D 25/10;
B62D 25/105; B62D 35/00; B60P 3/32

See application file for complete search history.

(56) **References Cited**

U.S. PATENT DOCUMENTS

D731,942 S *	6/2015	Hammoud	D12/196
D763,758 S *	8/2016	Luk	D12/196
D811,302 S *	2/2018	Piscitelli	D12/196
D823,761 S *	7/2018	Luk	D12/196
D839,163 S *	1/2019	Pinazzo	D12/196
D862,339 S *	10/2019	Kezha	D12/196
D873,193 S *	1/2020	Thogersen	D12/196
D873,749 S *	1/2020	Forschner	D12/196
D873,753 S *	1/2020	Ahn	D12/196
D882,479 S *	4/2020	Tomasson	D12/196
D883,885 S *	5/2020	Metros	D12/196

FOREIGN PATENT DOCUMENTS

WO	WO DM/088022	4/2016
WO	WO DM/202752	11/2019
WO	WO DM/207240	8/2020

* cited by examiner

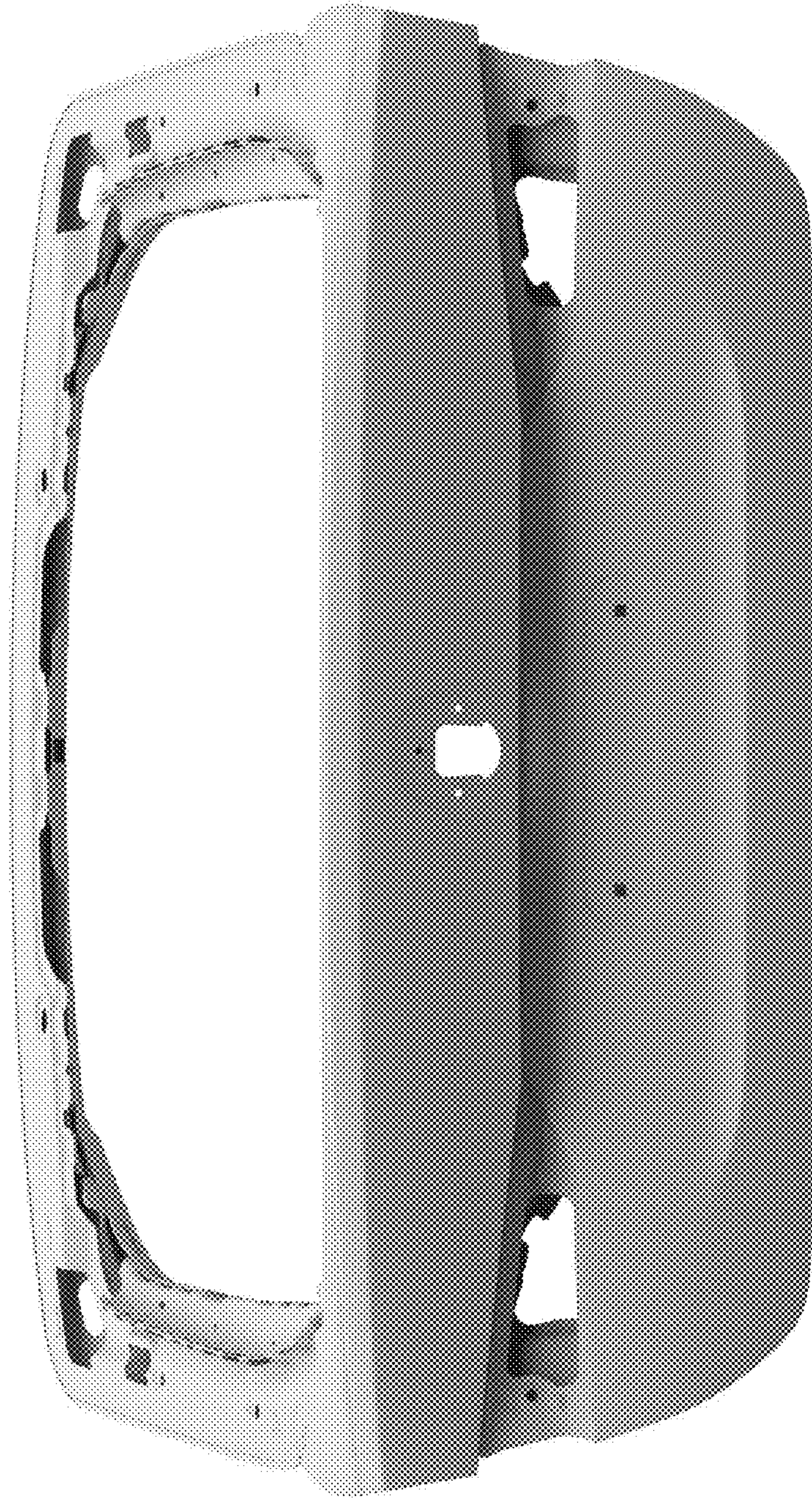


Fig. 1

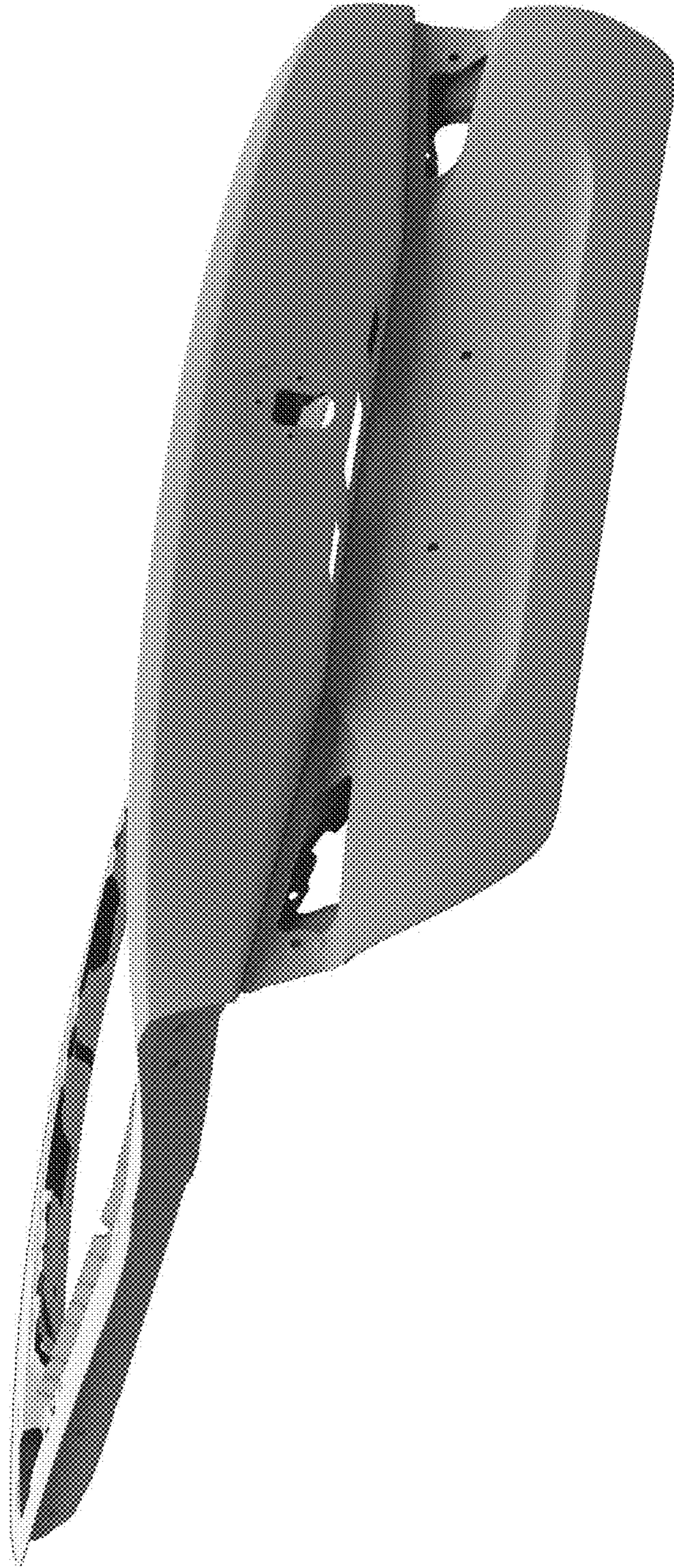


Fig. 2

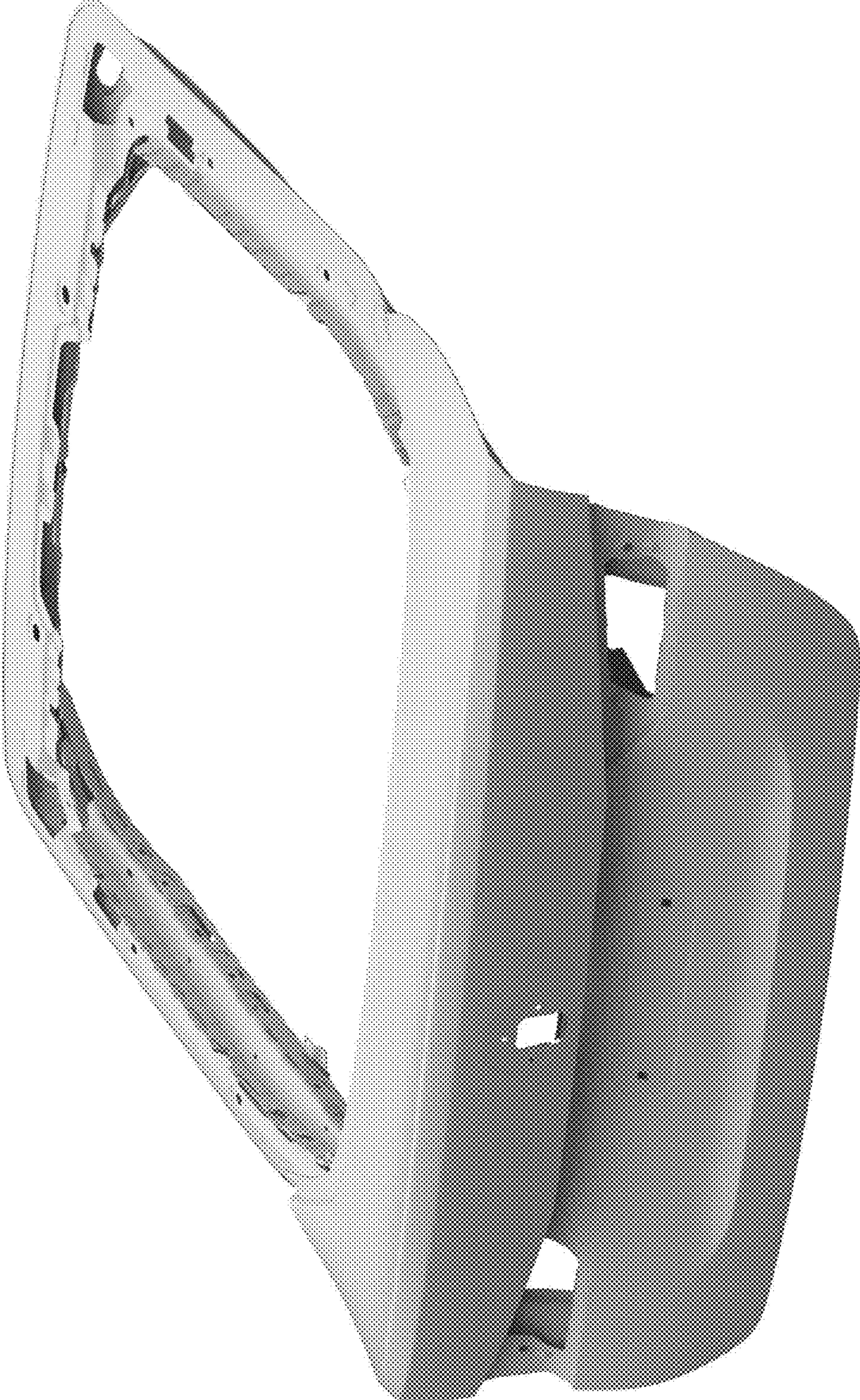


Fig. 3



Fig. 4



Fig. 5

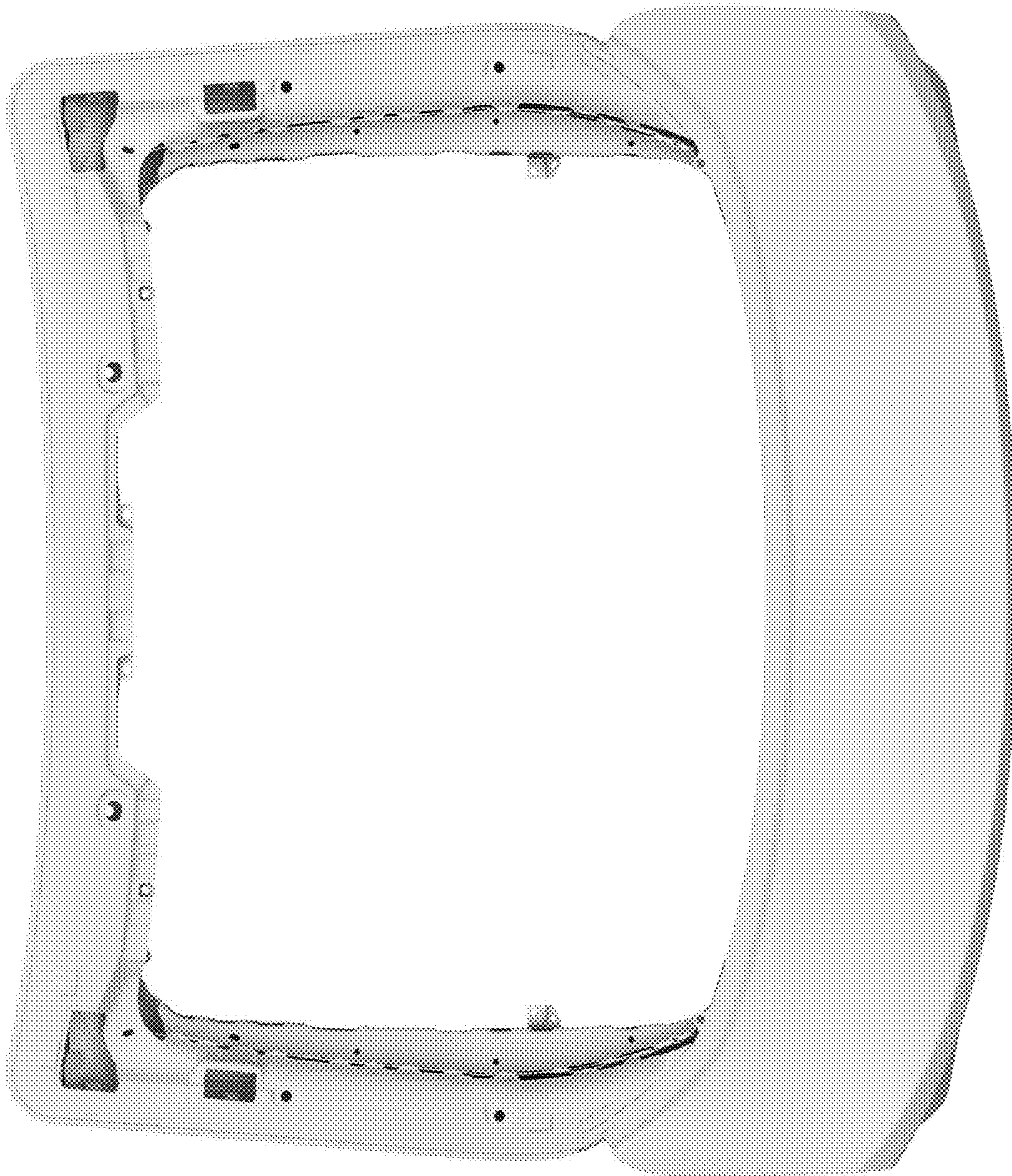


Fig. 6

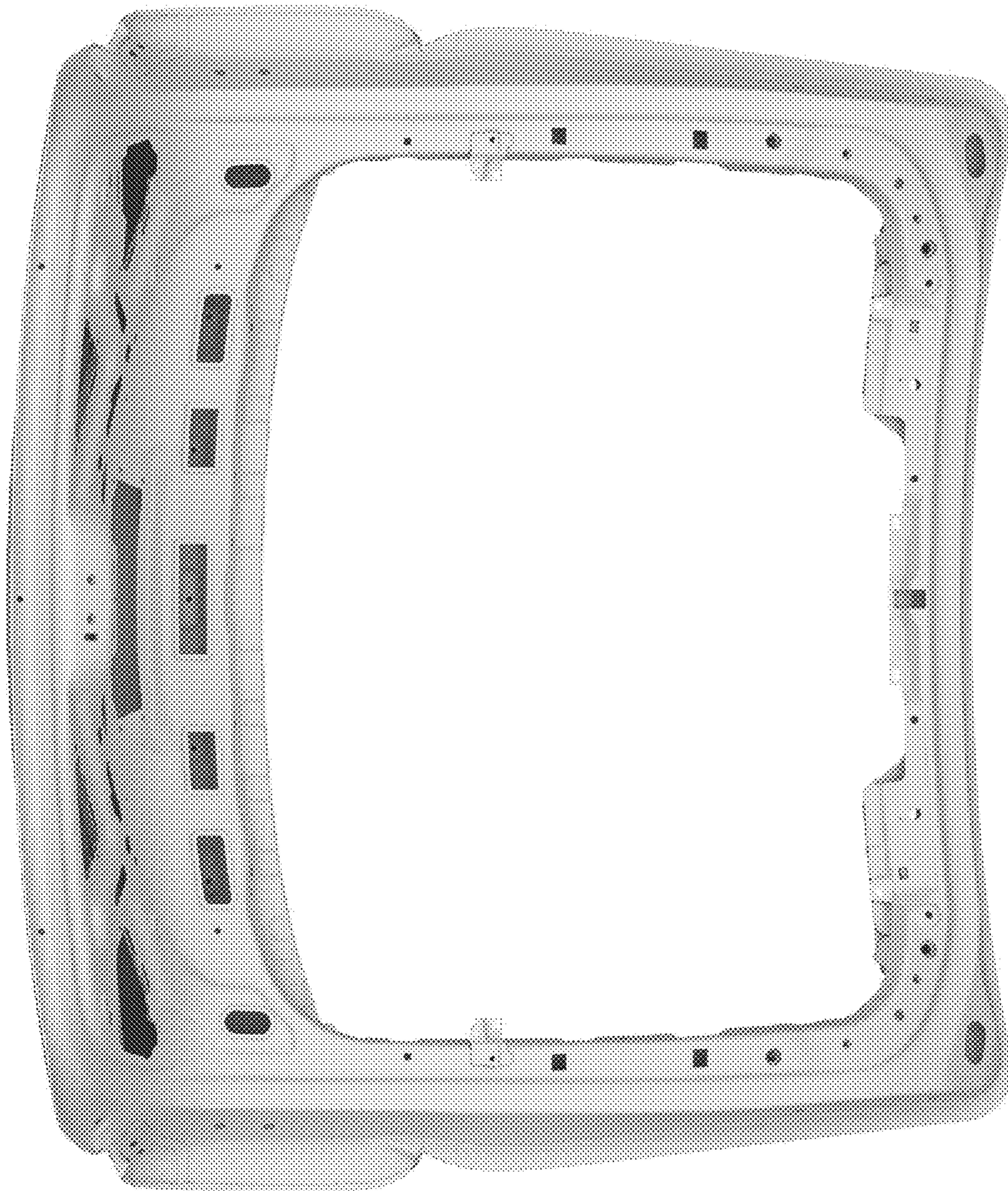


Fig. 7

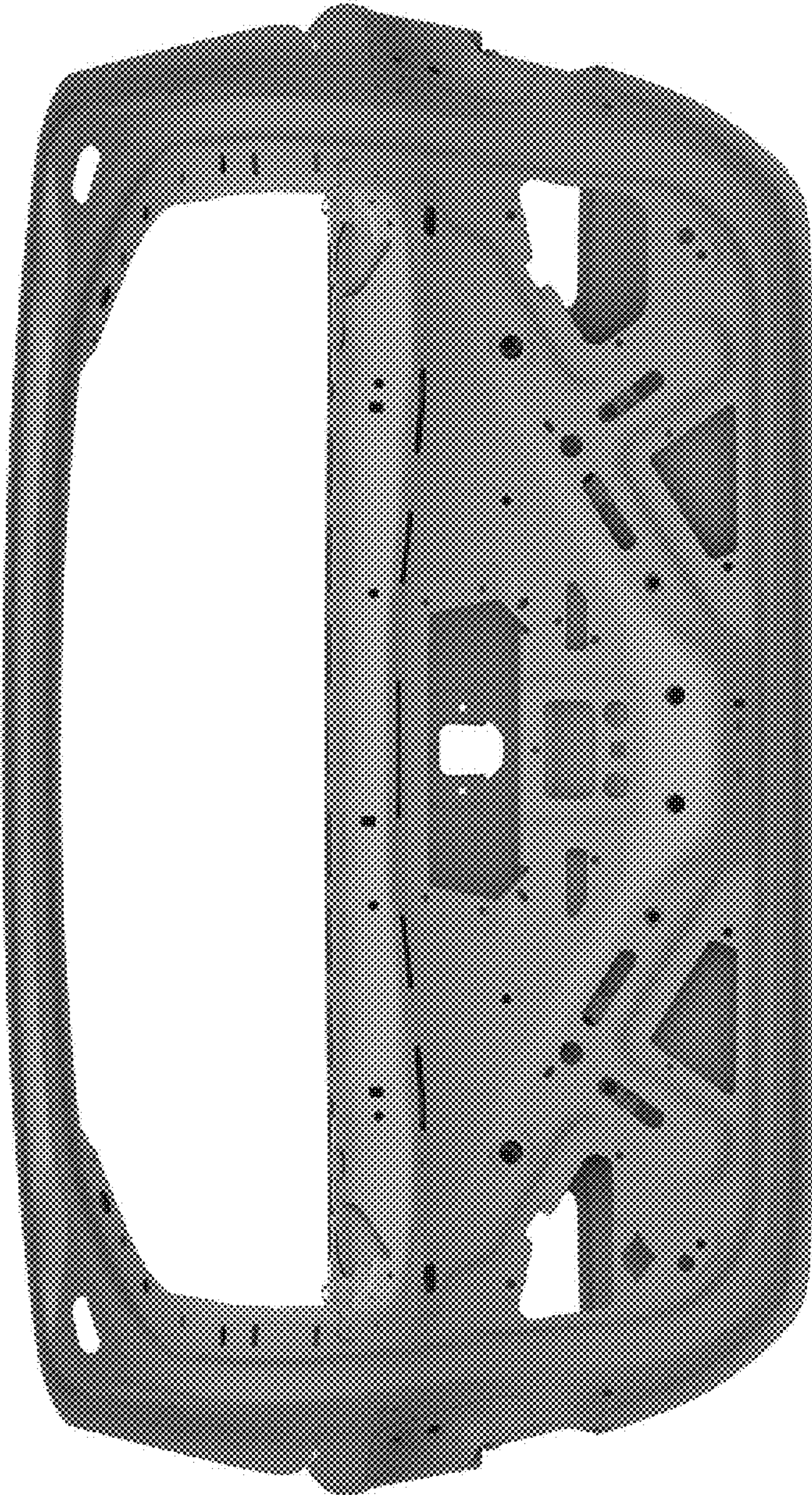


Fig. 8