



US00D964230S

(12) **United States Design Patent** (10) **Patent No.:** **US D964,230 S**
Hoste et al. (45) **Date of Patent:** **** Sep. 20, 2022**

(54) **VEHICLE FRONT BUMPER**
(71) Applicant: **Rivian IP Holdings, LLC**, Irvine, CA (US)
(72) Inventors: **Paul Hoste**, White Lake, MI (US); **Luke James Mack**, Newport Beach, CA (US)
(73) Assignee: **Rivian IP Holdings, LLC**, Plymouth, MI (US)
(**) Term: **15 Years**
(21) Appl. No.: **29/828,140**
(22) Filed: **Feb. 24, 2022**

Related U.S. Application Data

(63) Continuation of application No. 29/755,219, filed on Oct. 19, 2020, now Pat. No. Des. 947,083.
(51) **LOC (13) Cl.** **12-16**
(52) **U.S. Cl.**
USPC **D12/169**
(58) **Field of Classification Search**
USPC D12/169, 163, 196, 86, 90-92;
296/180.1, 180.2; 293/102, 113, 115,
293/117, 120
CPC B60R 19/52; B60R 2019/25; B62D 25/084
See application file for complete search history.

References Cited

U.S. PATENT DOCUMENTS

D698,708 S * 2/2014 Rugar D12/169
D810,634 S * 2/2018 Villamizar D12/169

D853,908 S * 7/2019 Melikian D12/169
D856,214 S * 8/2019 Nakajima D12/169
D875,603 S * 2/2020 Grand D12/91
D875,604 S * 2/2020 Grand D12/91
D875,605 S * 2/2020 Grand D12/91
D875,606 S * 2/2020 Grand D12/91
D890,037 S * 7/2020 Mack D12/169
D890,038 S * 7/2020 Hoste D12/169
D890,644 S * 7/2020 Hoste D12/169
D896,138 S * 9/2020 Schneider D12/169
D947,083 S * 3/2022 Hoste D12/169

* cited by examiner

Primary Examiner — Melody N Brown
(74) *Attorney, Agent, or Firm* — Haley Guiliano LLP

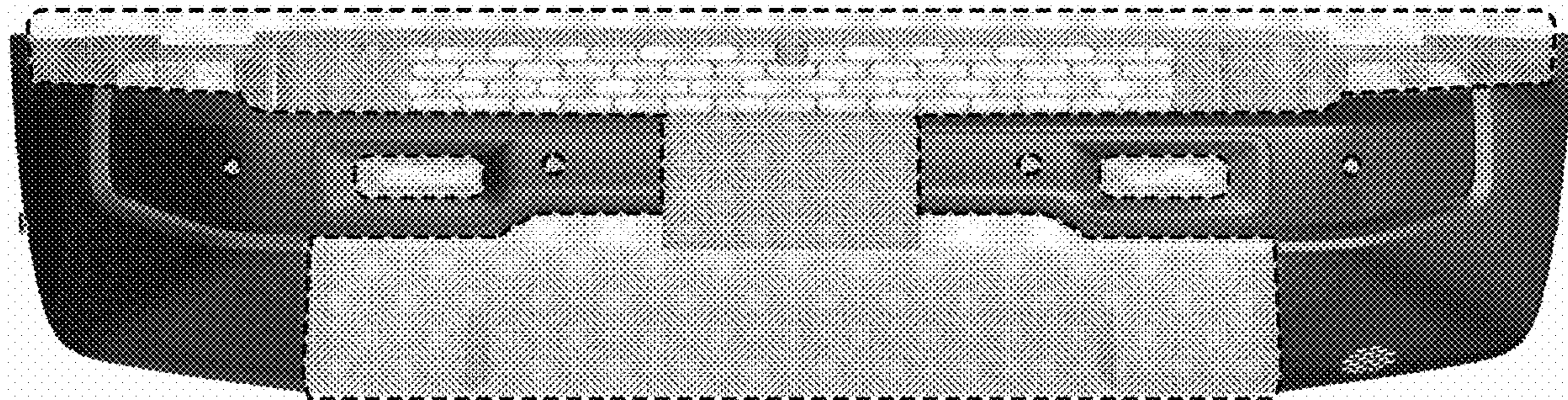
(57) **CLAIM**

The ornamental design for a vehicle front bumper, as shown and described.

DESCRIPTION

FIG. 1 is a front elevational view of a vehicle front bumper showing my new design;
FIG. 2 is a bottom plan view thereof;
FIG. 3 is an enlarged left side elevational view thereof, the right side view being a mirror image thereof;
FIG. 4 is a top, front and right side perspective view thereof; and,
FIG. 5 is a bottom, front and right side perspective view thereof.
The portions of the vehicle front bumper shown in a de-emphasized and half-tone form surrounded by broken lines representing a boundary are for illustrative and environmental purposes and form no part of the claimed design.

1 Claim, 5 Drawing Sheets



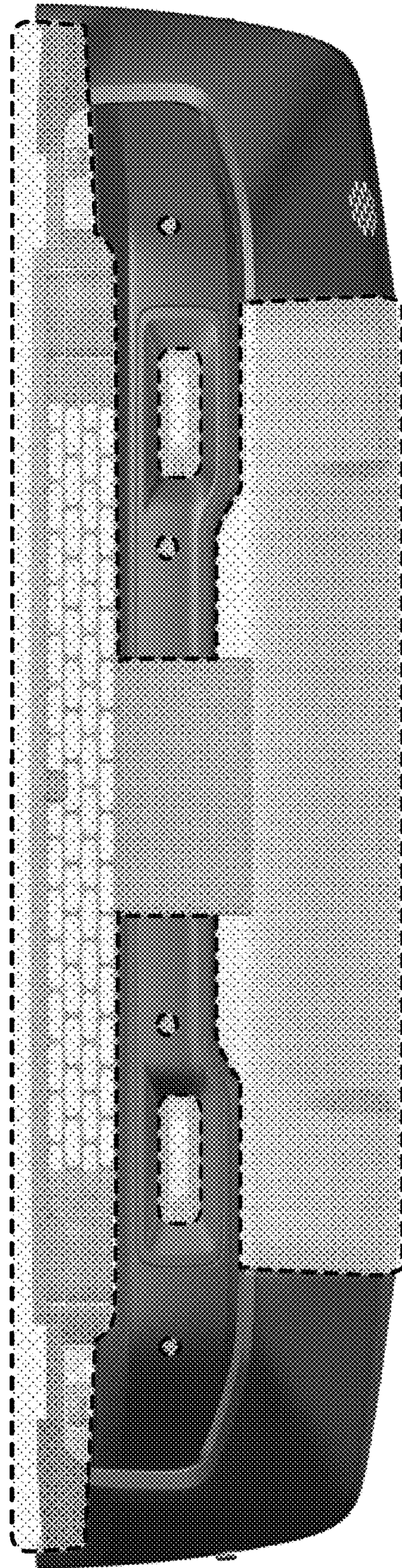


FIG. 1

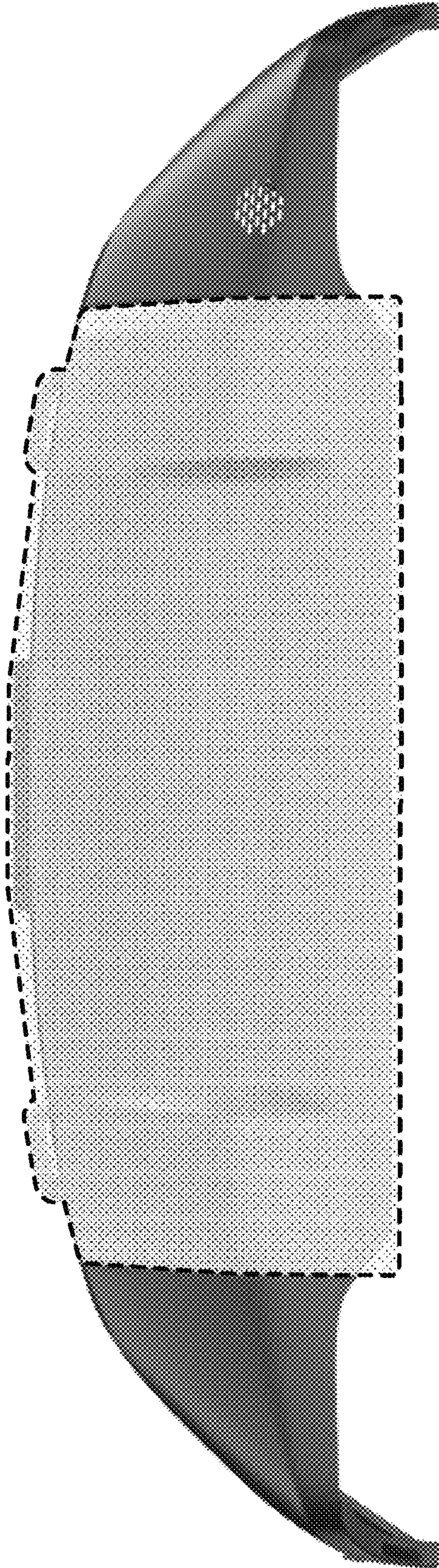


FIG. 2

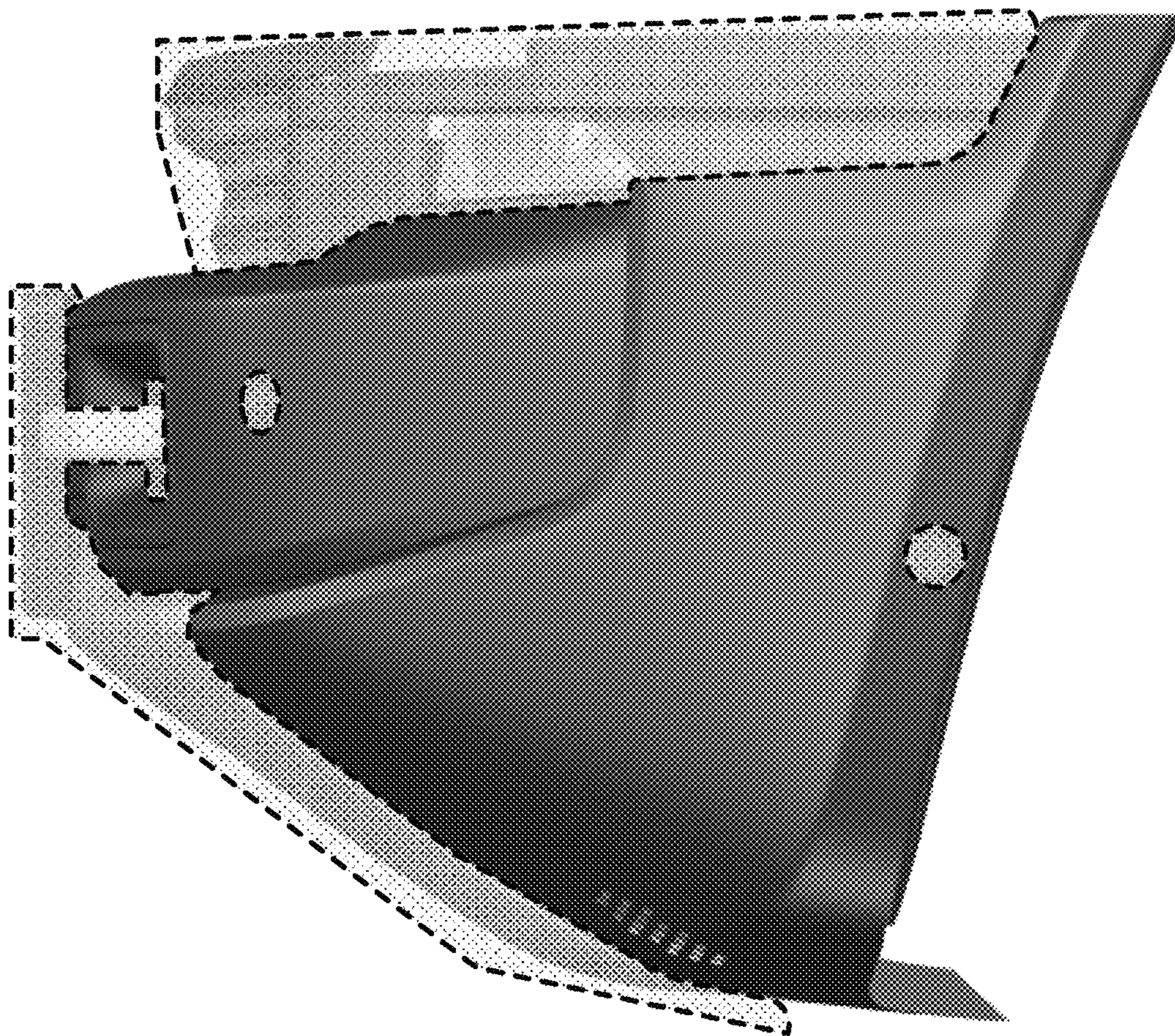


FIG. 3

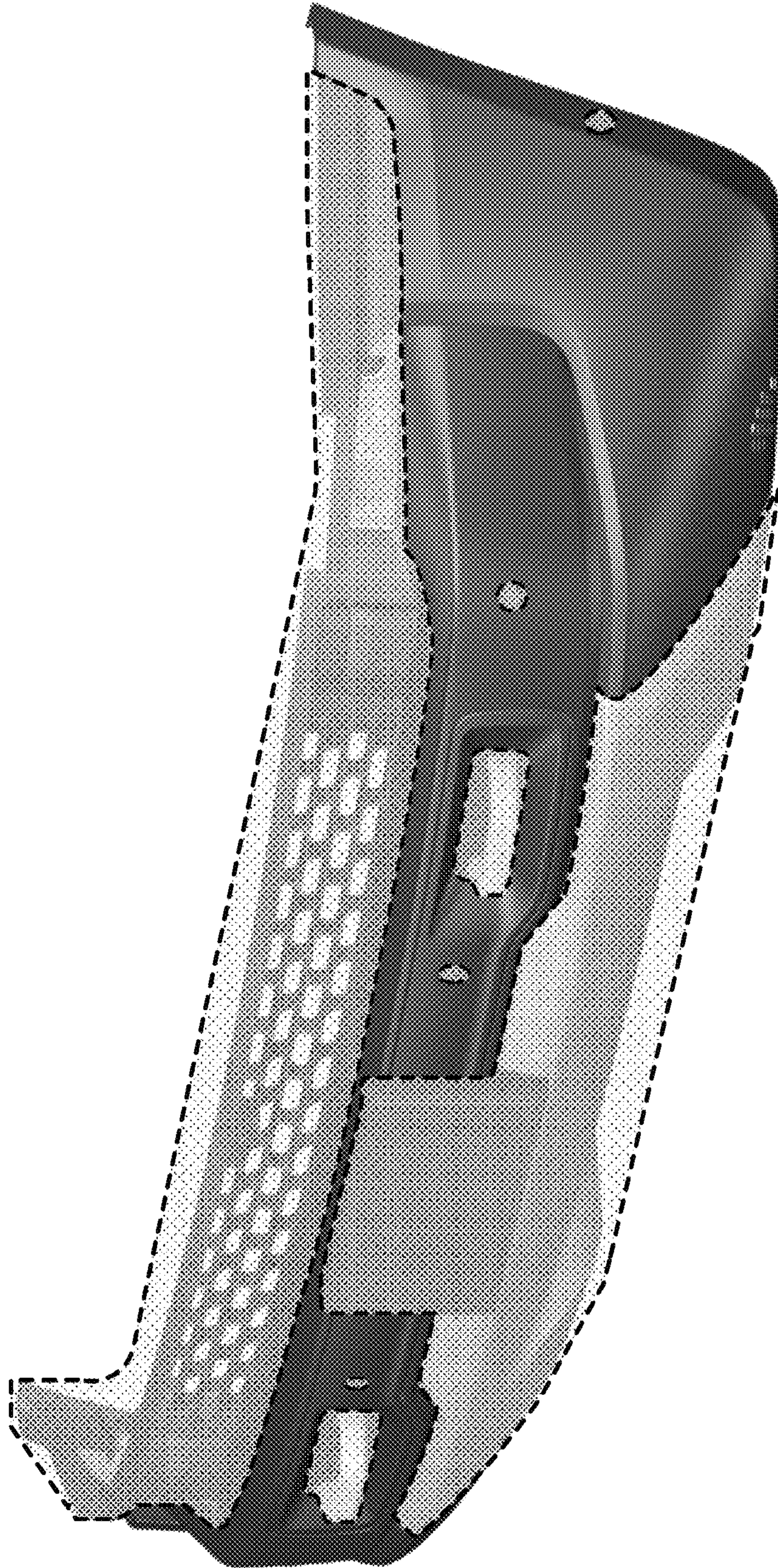


FIG. 4



FIG. 5