

US00D964229S

(12) **United States Design Patent**
Gunnarson

(10) **Patent No.:** **US D964,229 S**

(45) **Date of Patent:** **** Sep. 20, 2022**

(54) **BUMPER FOR A VEHICLE**

D930,526 S * 9/2021 Bernardi D12/169
D939,400 S * 12/2021 Becker D12/169
D940,016 S * 1/2022 Piaskowski D12/169

(71) Applicant: **VOLVO CAR CORPORATION**,
Gothenburg (SE)

(72) Inventor: **Anders Gunnarson**, Kullavik (SE)

(73) Assignee: **VOLVO CAR CORPORATION**,
Gothenburg (SE)

(**) Term: **15 Years**

(21) Appl. No.: **29/760,718**

(22) Filed: **Dec. 3, 2020**

(30) **Foreign Application Priority Data**

Jul. 9, 2020 (WO) WIPO95984

(51) **LOC (13) Cl.** **12-16**

(52) **U.S. Cl.**
USPC **D12/169**

(58) **Field of Classification Search**
USPC D12/169, 164, 196, 171, 86, 90-92;
296/180.1, 180.2
CPC B60R 19/02; B60R 19/04; B62D 25/08
See application file for complete search history.

(56) **References Cited**

U.S. PATENT DOCUMENTS

D877,669 S * 3/2020 Lee D12/169
D892,006 S * 8/2020 Buck D12/169

OTHER PUBLICATIONS

NetCarShow.com, Volvo, Design Name: Concept Coupe, Year of Introduction: 2019.

NetCarShow.com, Volvo, Design Name: V60, Year of Introduction: 2013.

NetCarShow.com, Volvo, Design Name: XC90, Year of Introduction: 2014.

* cited by examiner

Primary Examiner — Melody N Brown

(74) *Attorney, Agent, or Firm* — Berenato & White, LLC

(57) **CLAIM**

The ornamental design for a bumper for a vehicle, as shown and described.

DESCRIPTION

FIG. 1 is a front elevational view of a bumper for a vehicle showing my new design;

FIG. 2 is a left, front perspective view thereof;

FIG. 3 is a right, front perspective view thereof;

FIG. 4 is a right side elevational view thereof;

FIG. 5 is a left side elevational view thereof;

FIG. 6 is a top plan view thereof;

FIG. 7 is a bottom plan view thereof; and,

FIG. 8 is a rear elevational view thereof.

1 Claim, 8 Drawing Sheets



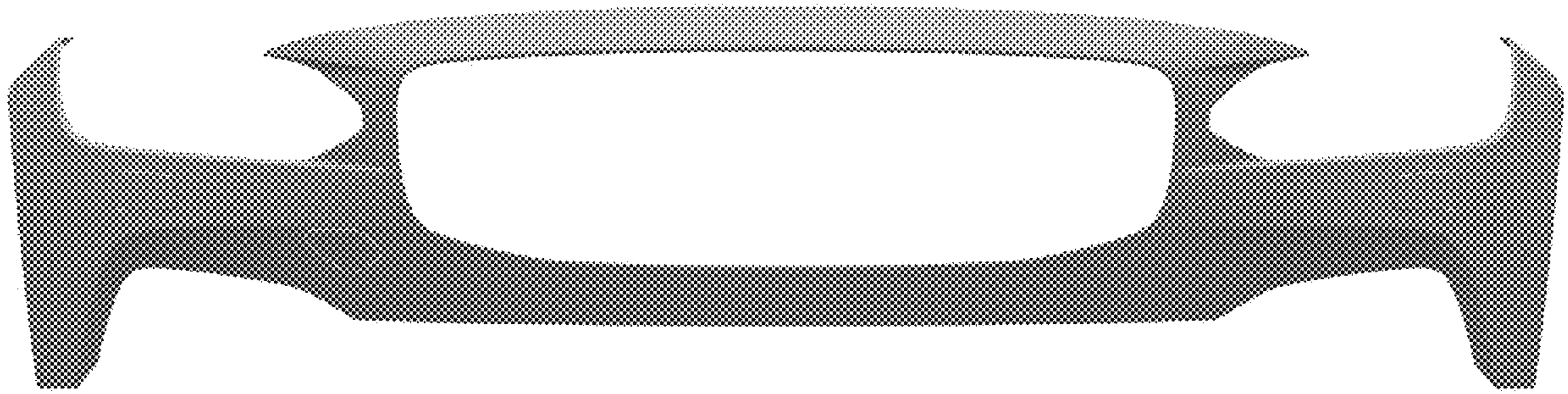


FIG. 1

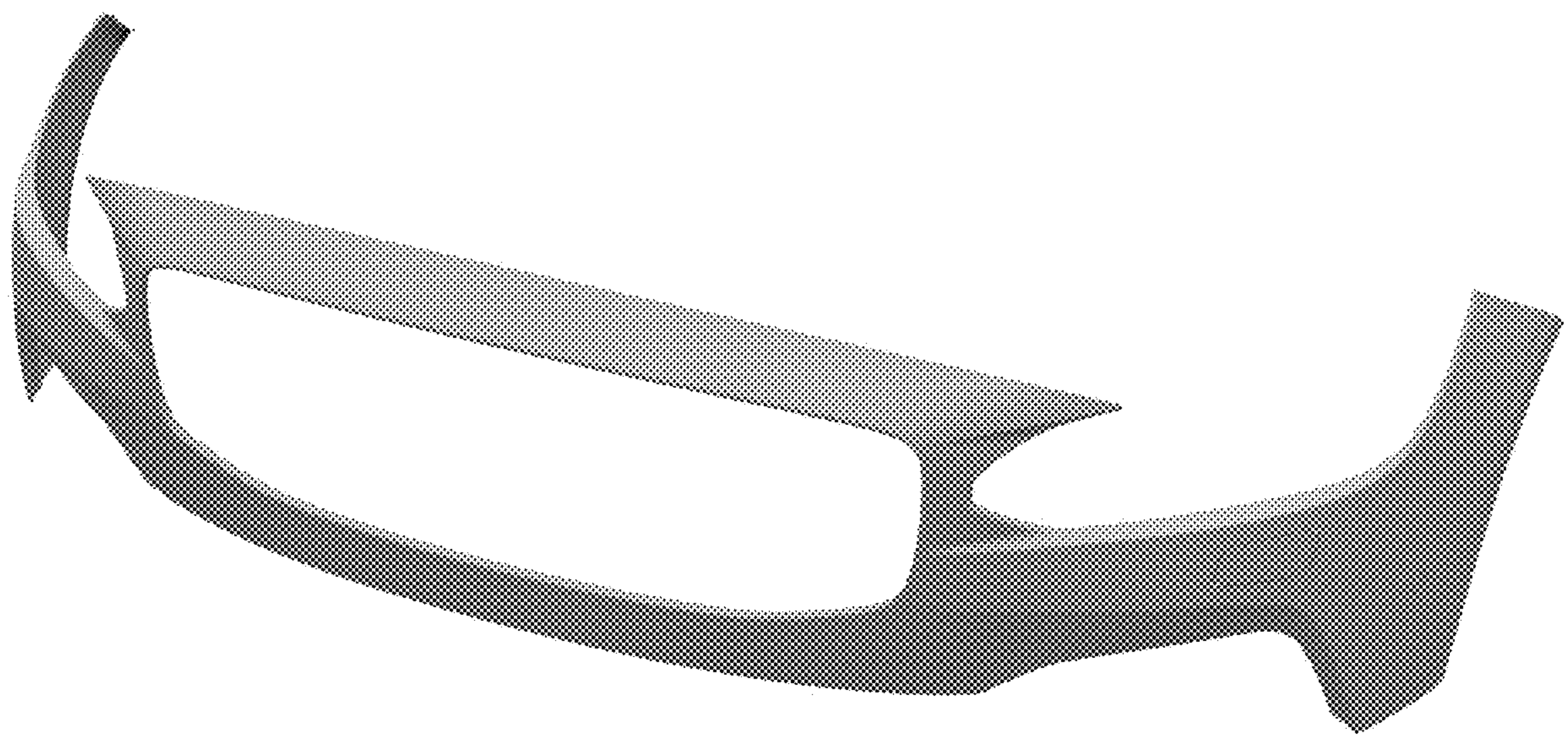


FIG. 2

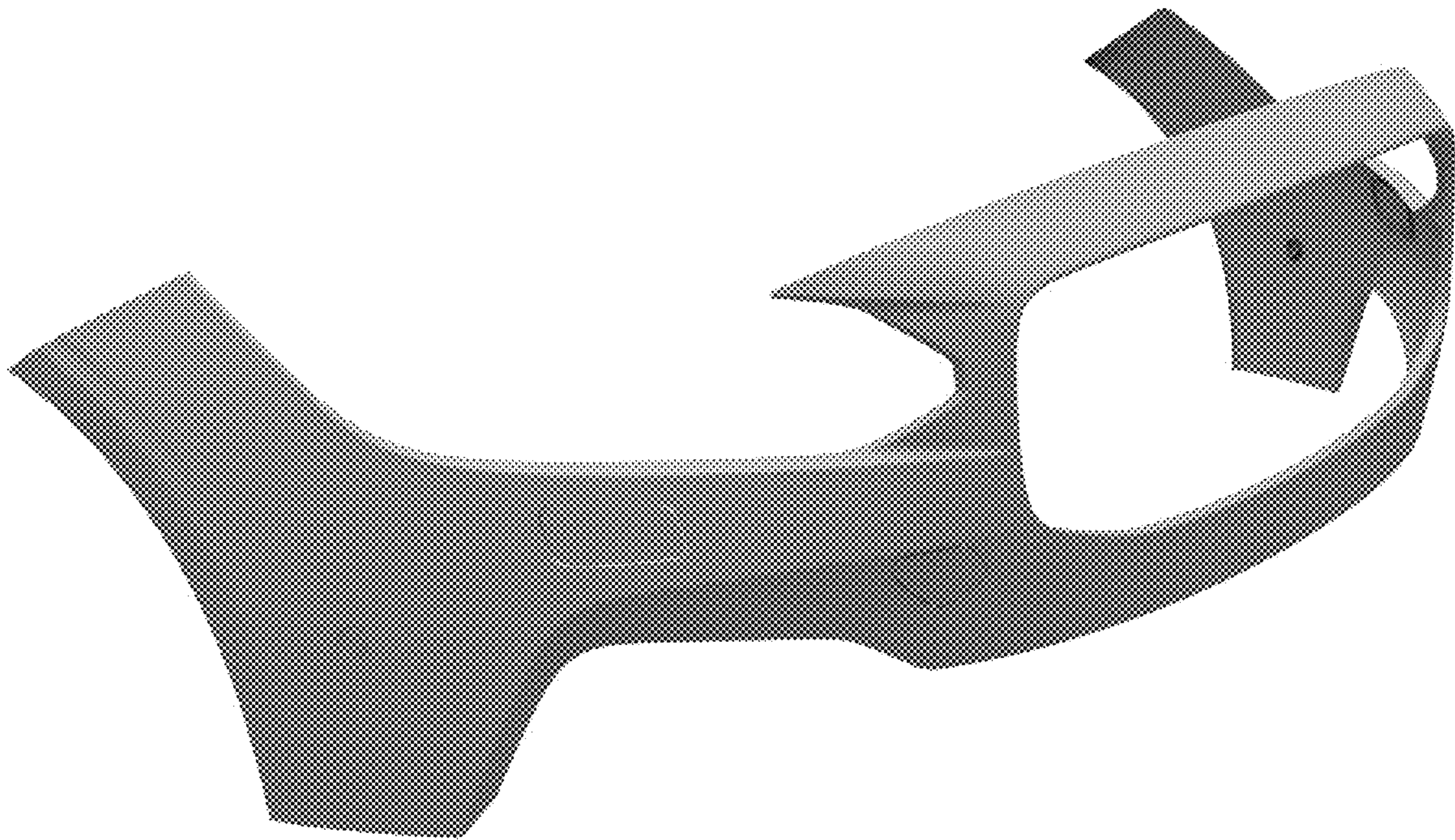


FIG. 3

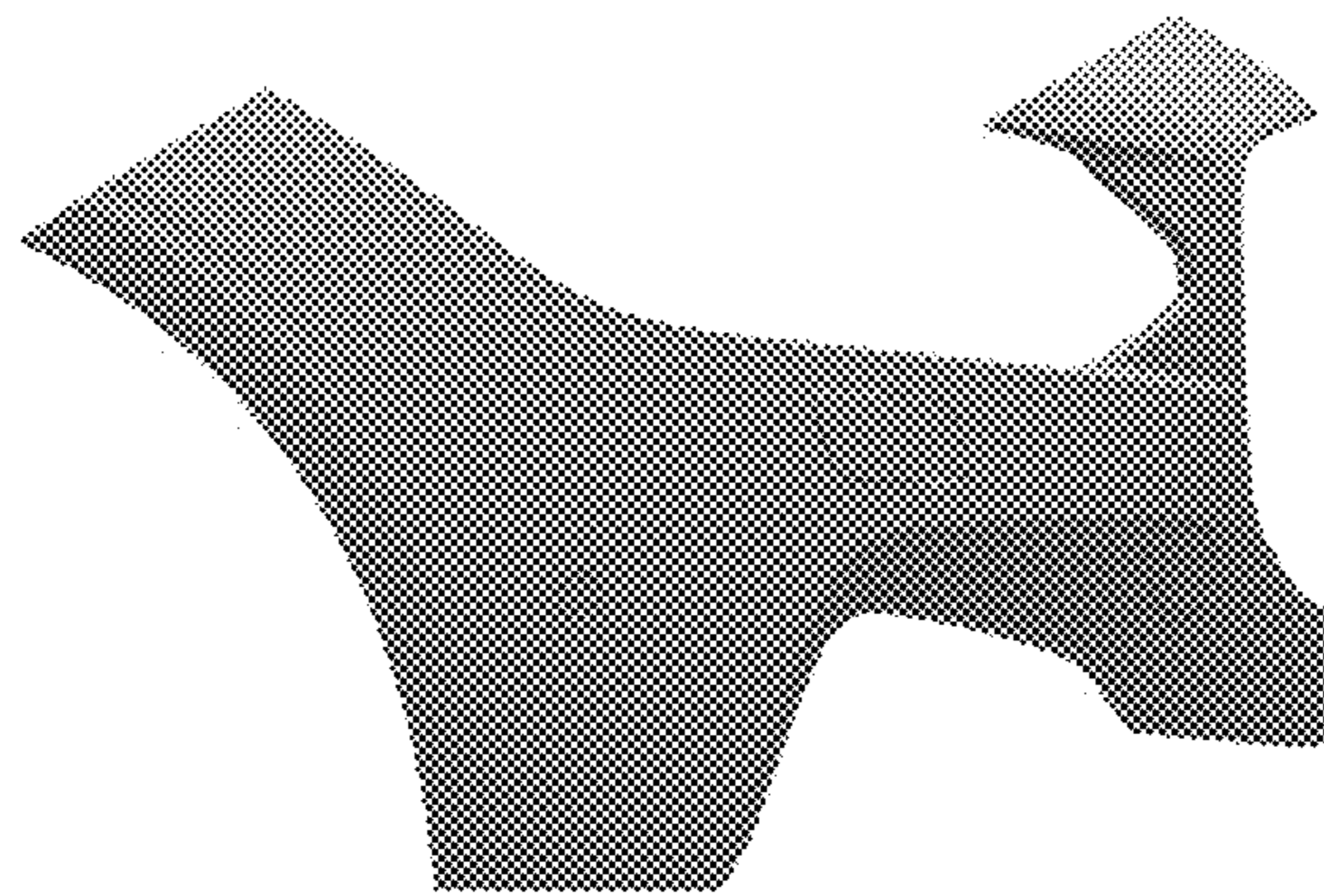


FIG. 4

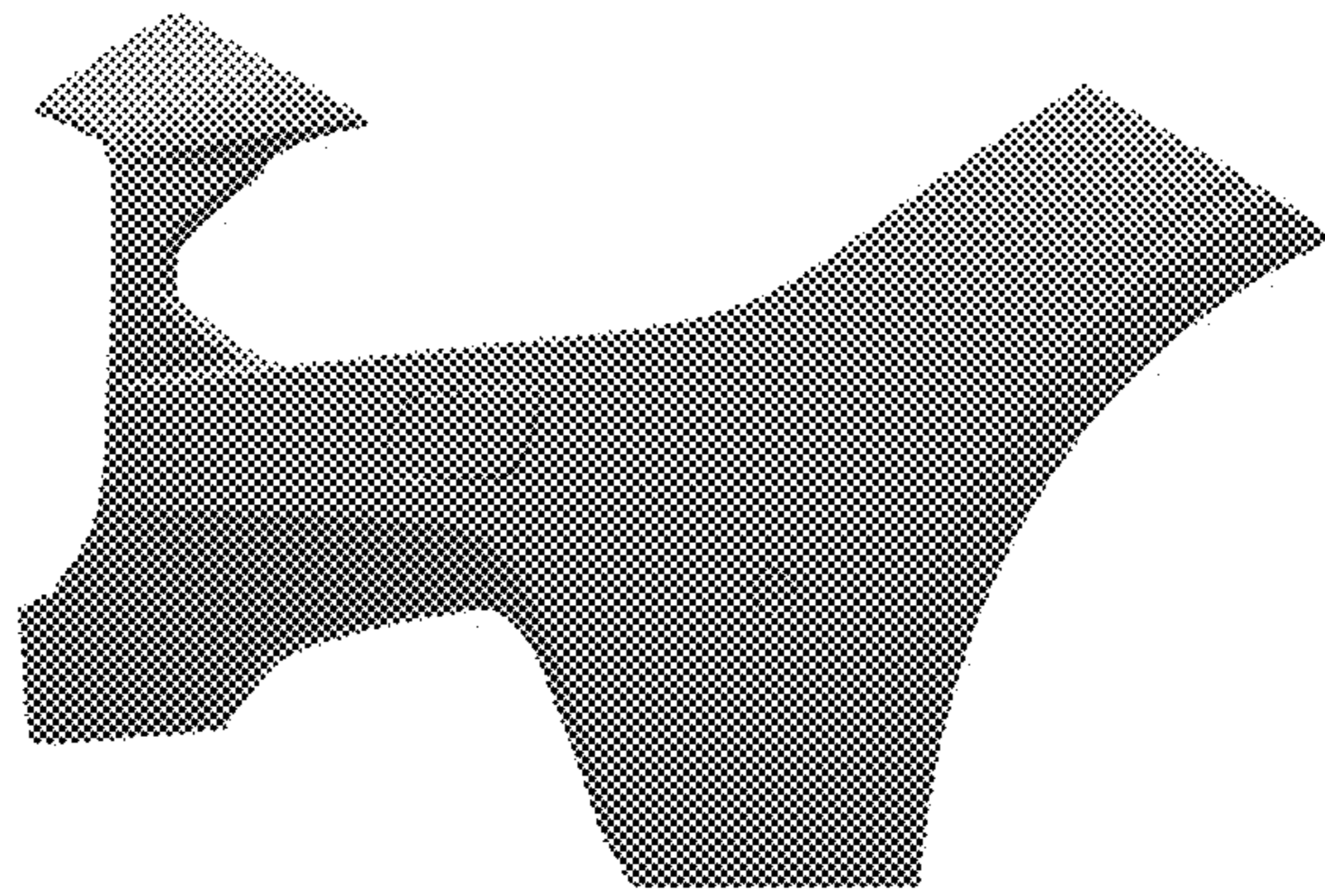


FIG. 5

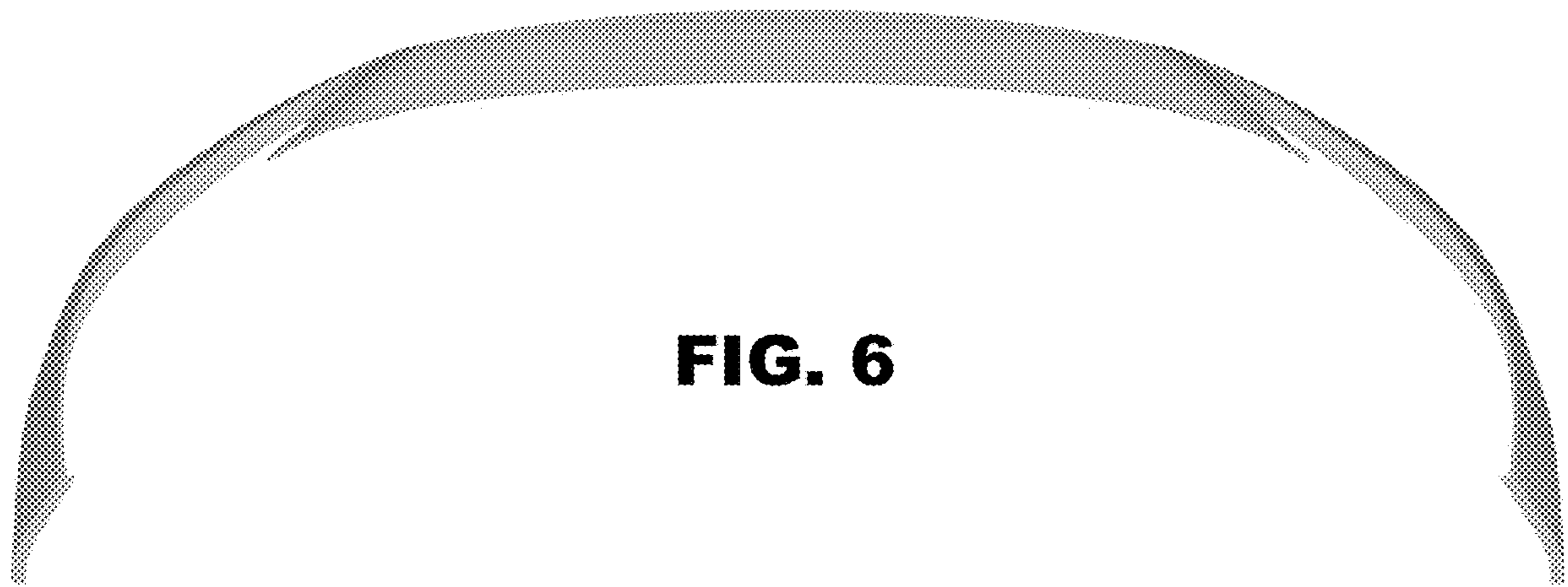


FIG. 6

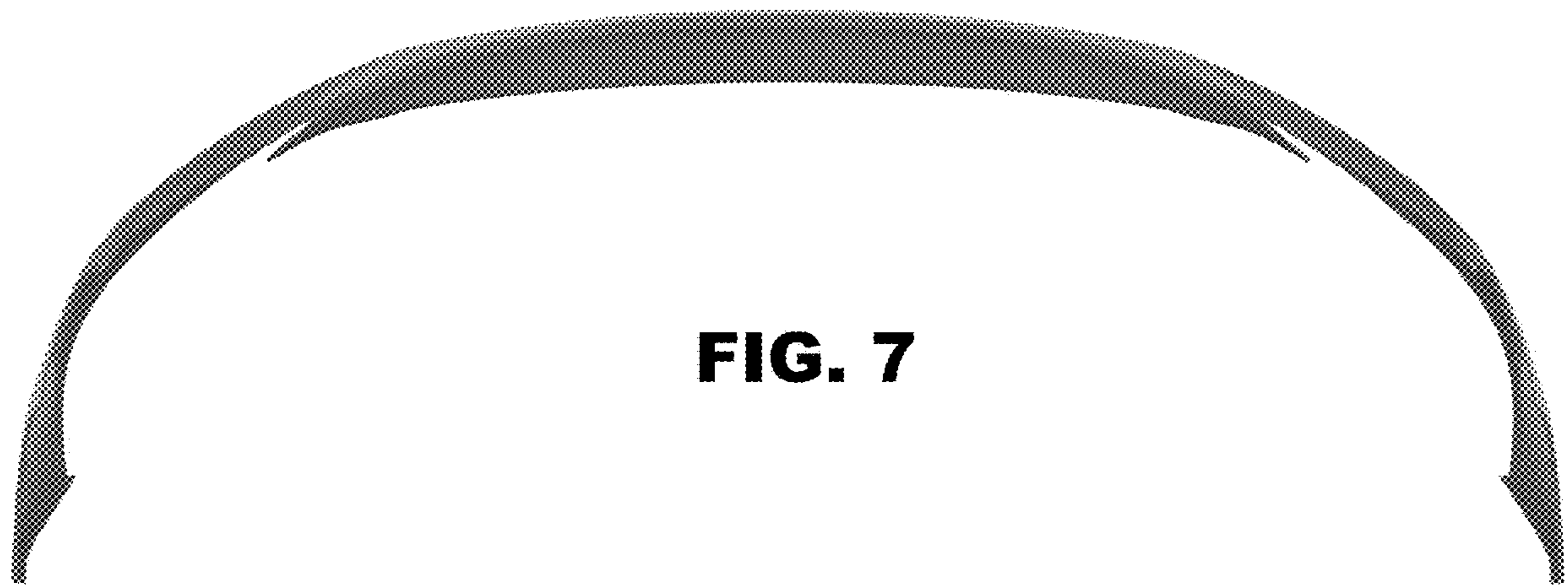


FIG. 7

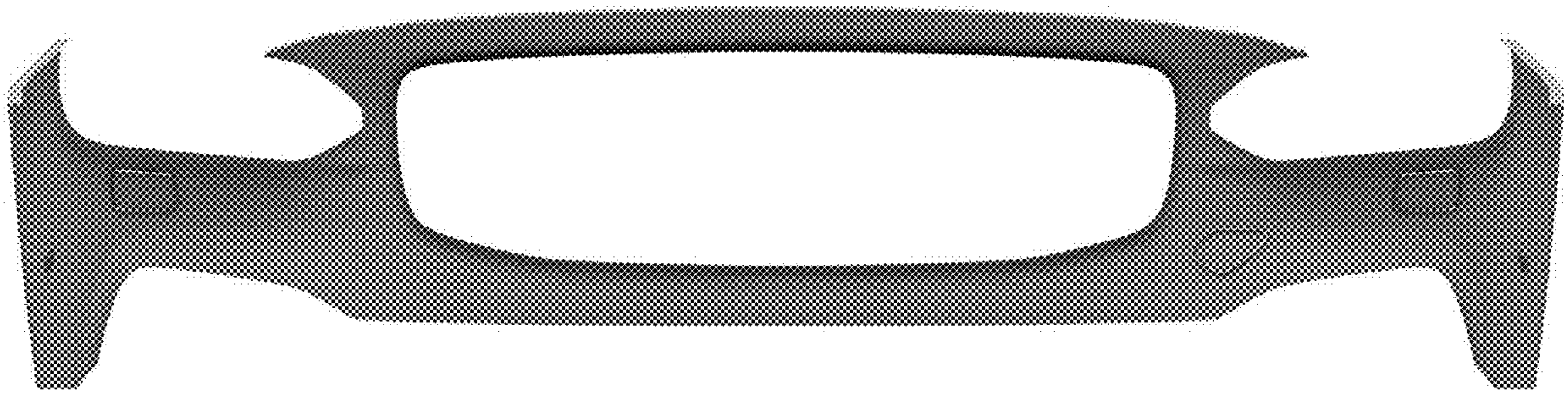


FIG. 8