



US00D964223S

(12) **United States Design Patent** (10) **Patent No.:** **US D964,223 S**
Olaru (45) **Date of Patent:** **** Sep. 20, 2022**

(54) **TRAILER HITCH STRUCTURAL REINFORCEMENT**

FOREIGN PATENT DOCUMENTS

(71) Applicant: **Constantin Olaru**, Bucharest (RO)

AU 2020200552 A1 1/2020

(72) Inventor: **Constantin Olaru**, Bucharest (RO)

OTHER PUBLICATIONS

(**) Term: **15 Years**

BulletProof Hitches 2.0" Adjustable Heavy Duty Trailer Hitch, <https://www.u-buy.jp/en/search/index/view/product/B077K7J25P/s/bulletproof-hitches-2-0-adjustable-heavy-duty-22-000lb-rating-4-drop-rise-trailer-hitch-with-2-and-2-5-16-dual-ball-black-textured-powder-coat-solid-steel/store/store/kk/dp>.

(21) Appl. No.: **29/837,825**

Curt 45900 Channel-Style Adjustable Dual Ball Mount, <https://www.amazon.in/CURT-45900-Channel-Style-Adjustable-Mount/dp/B004SMGAJ6>.

(22) Filed: **May 9, 2022**

(51) **LOC (13) Cl.** **12-16**

(52) **U.S. Cl.**
USPC **D12/162**

* cited by examiner

(58) **Field of Classification Search**

USPC D12/159, 160, 161, 162, 400, 317;
D21/777, 810

CPC . B60D 1/60; B60D 1/065; B60D 1/00; B60D 1/06; B60D 1/36; B62D 33/033

See application file for complete search history.

Primary Examiner — Katrina A Betton

(74) *Attorney, Agent, or Firm* — Bay State IP, LLC

(57) **CLAIM**

The ornamental design for a trailer hitch structural reinforcement, as shown and described.

(56) **References Cited**

DESCRIPTION

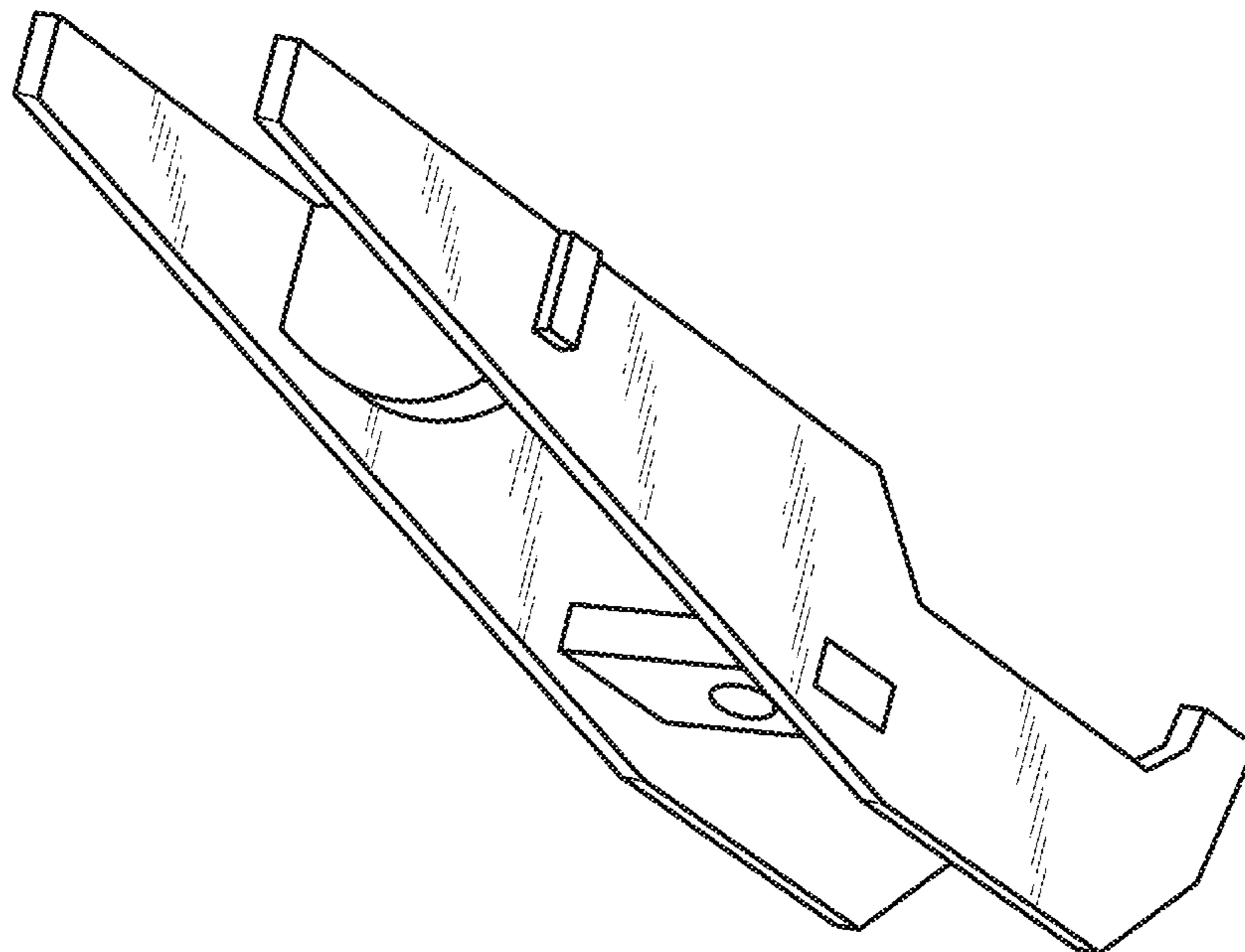
U.S. PATENT DOCUMENTS

D480,338 S *	10/2003	Harwood	B60R 9/06
				D12/162
D519,424 S *	4/2006	Fisher	D12/162
D628,128 S *	11/2010	Sanders	D12/162
D634,259 S *	3/2011	Farber	D12/408
8,366,136 B2	2/2013	Svihla		
D698,285 S *	1/2014	Mason	D12/162
D856,199 S *	8/2019	Siegel	D12/162
D862,309 S *	10/2019	Hack	D12/162
D879,671 S *	3/2020	Siegel	D12/162
D890,636 S *	7/2020	Sanborn	D12/162
10,800,219 B2	10/2020	Harper		
D930,156 S *	9/2021	Wong	D24/134
D931,152 S *	9/2021	Rabska	D12/162
2017/0246924 A1 *	8/2017	Thompson	B60D 1/04
2022/0161735 A1 *	5/2022	Mannsfeld	E04H 15/06

FIG. 1 is a perspective view of a trailer hitch structural reinforcement showing my new design; FIG. 2 is another perspective view thereof; FIG. 3 is a left side view thereof; FIG. 4 is a right side view thereof; FIG. 5 is a bottom view thereof; FIG. 6 is a top view thereof; FIG. 7 is a front view thereof; FIG. 8 is a back view thereof; and, FIG. 9 is another perspective view with environmental structure thereof.

The broken lines shown in the drawings depict portions of the design that form no part of the claimed design.

1 Claim, 6 Drawing Sheets



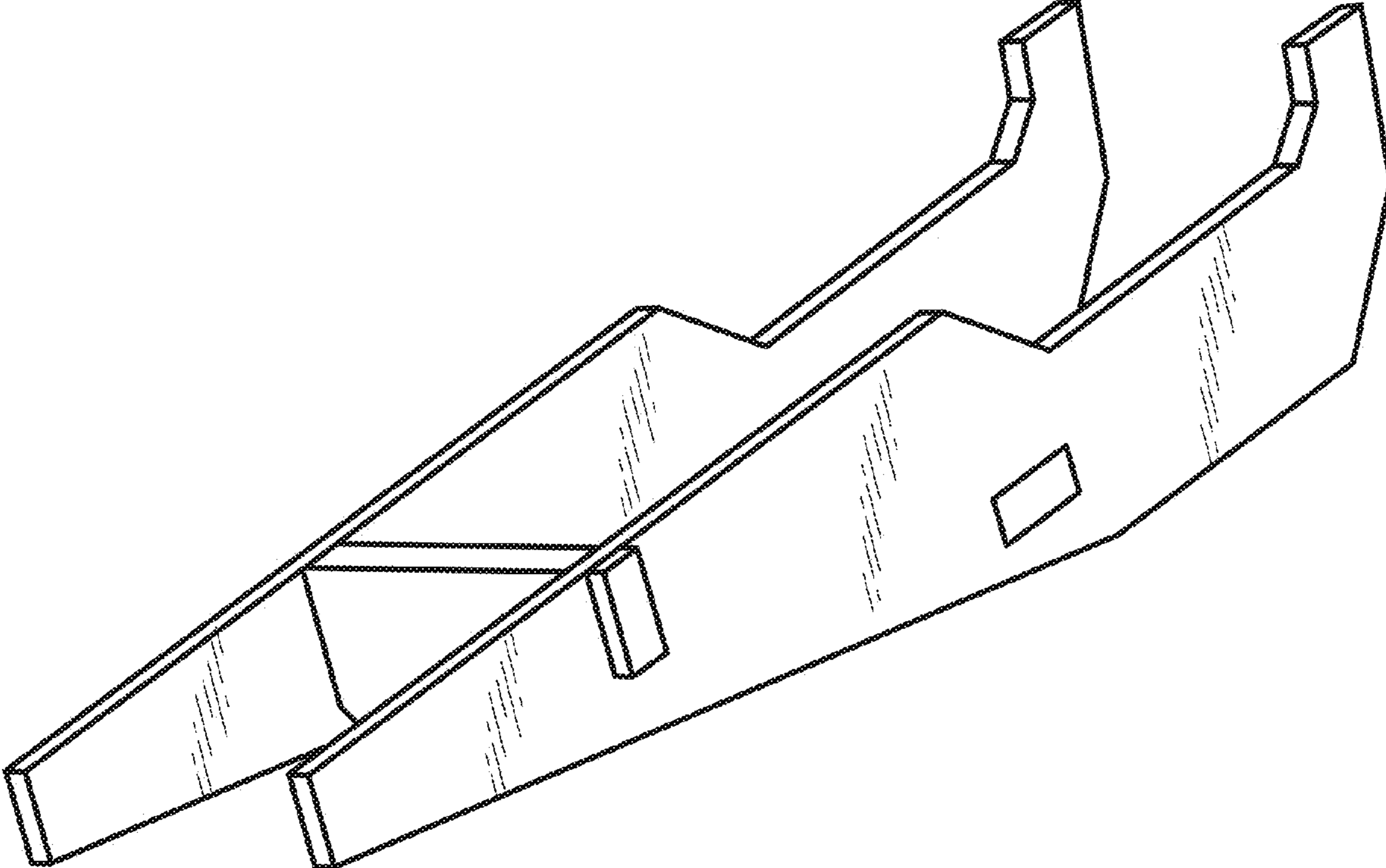


Fig. 1

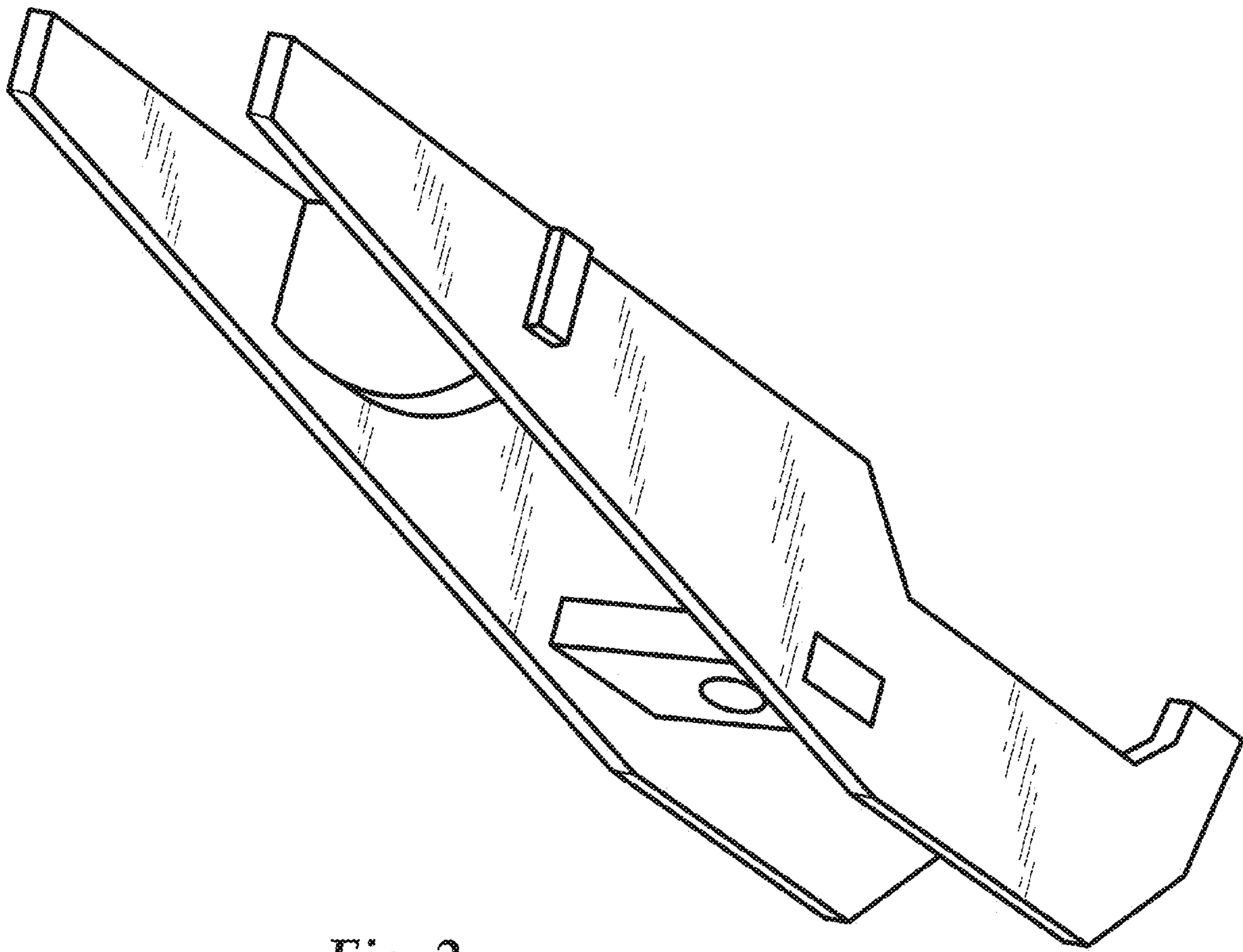


Fig. 2

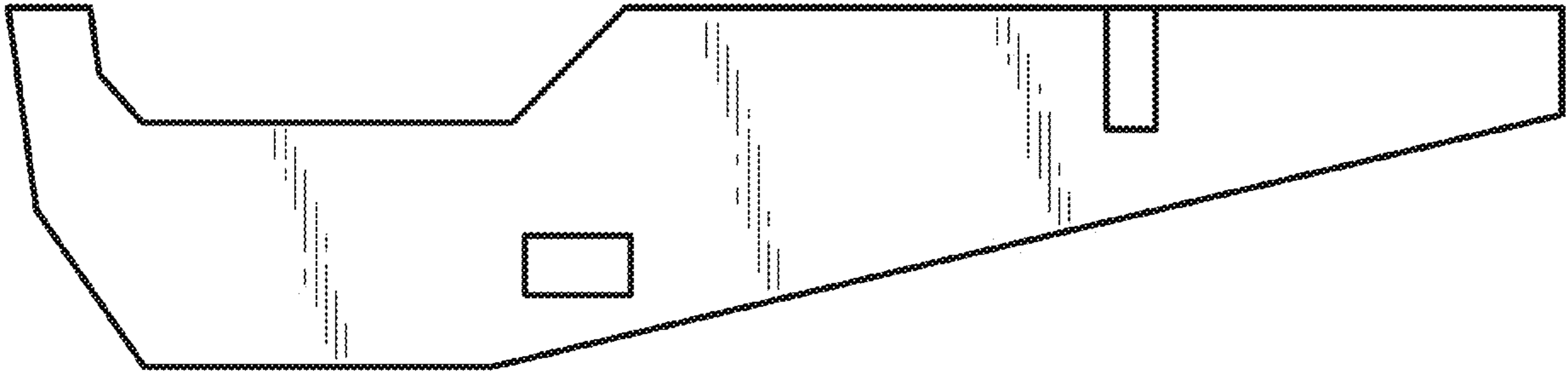


Fig. 3

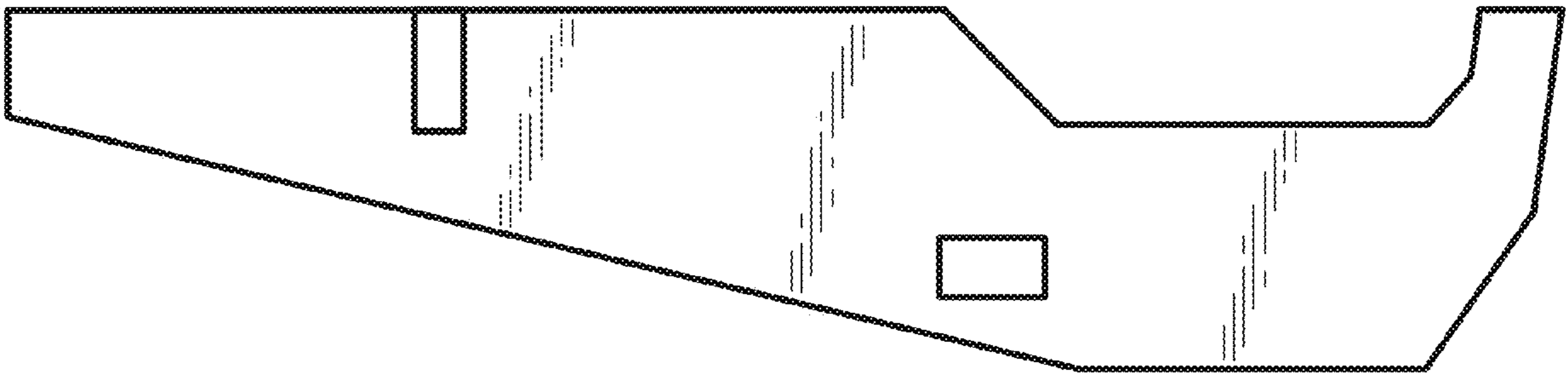


Fig. 4

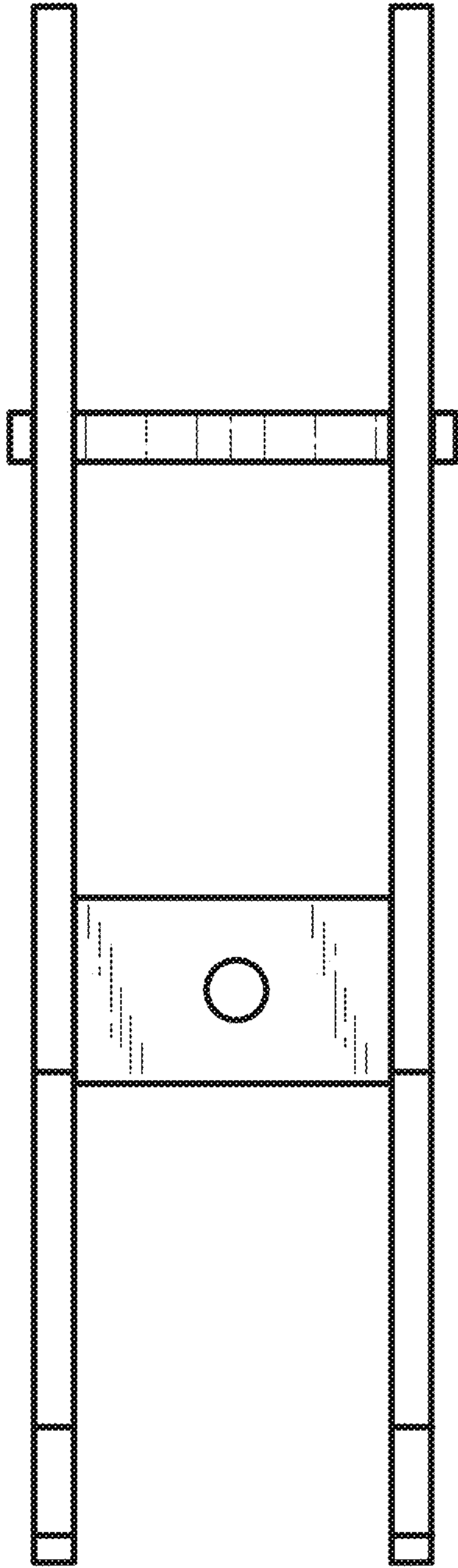


Fig. 5

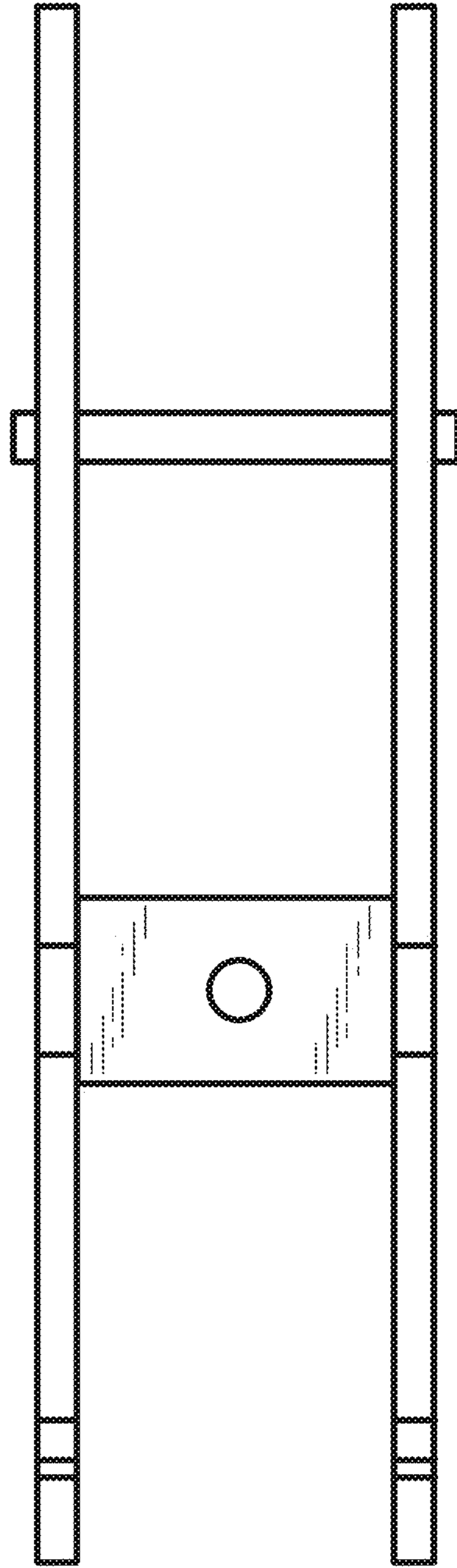


Fig. 6

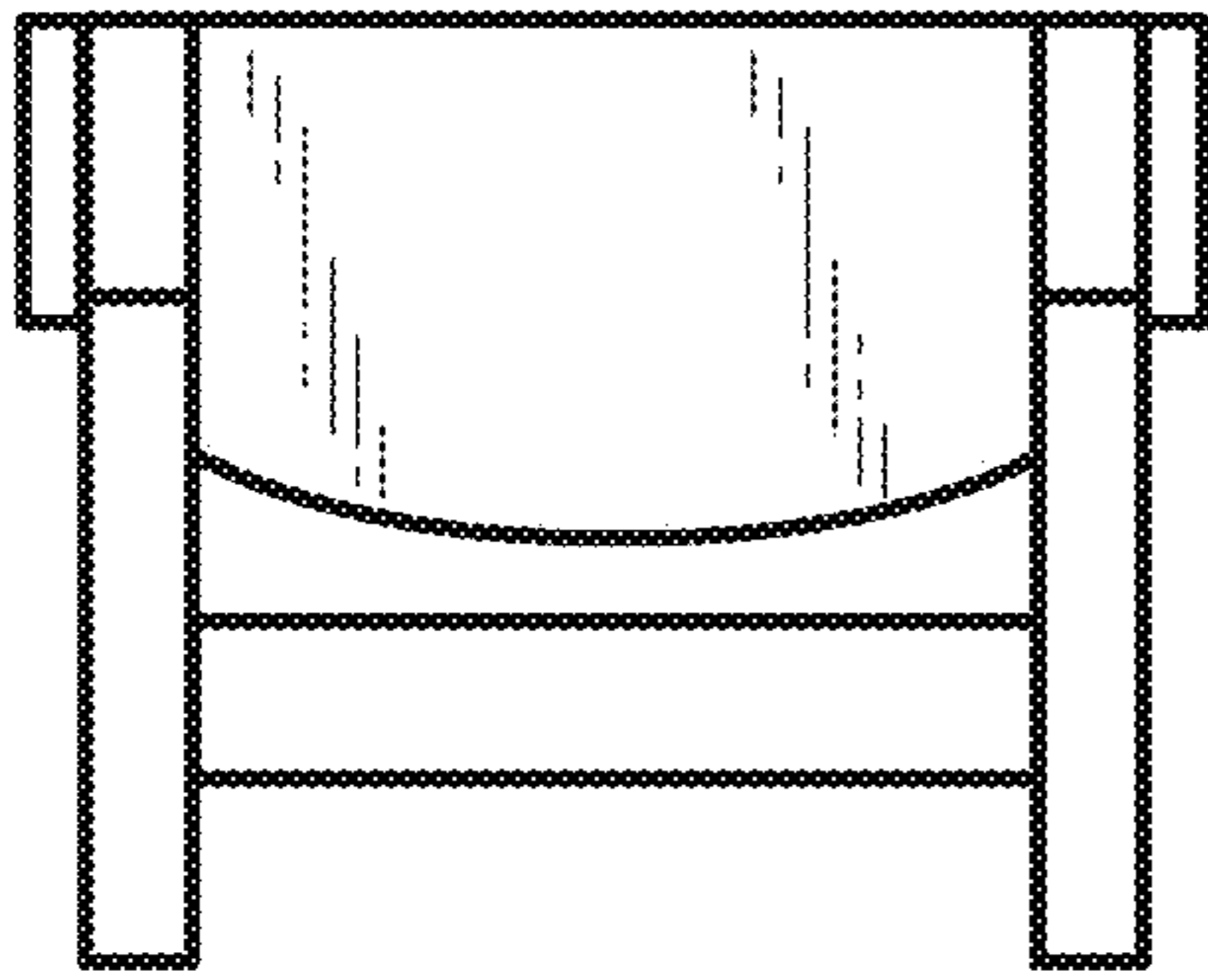


Fig. 7

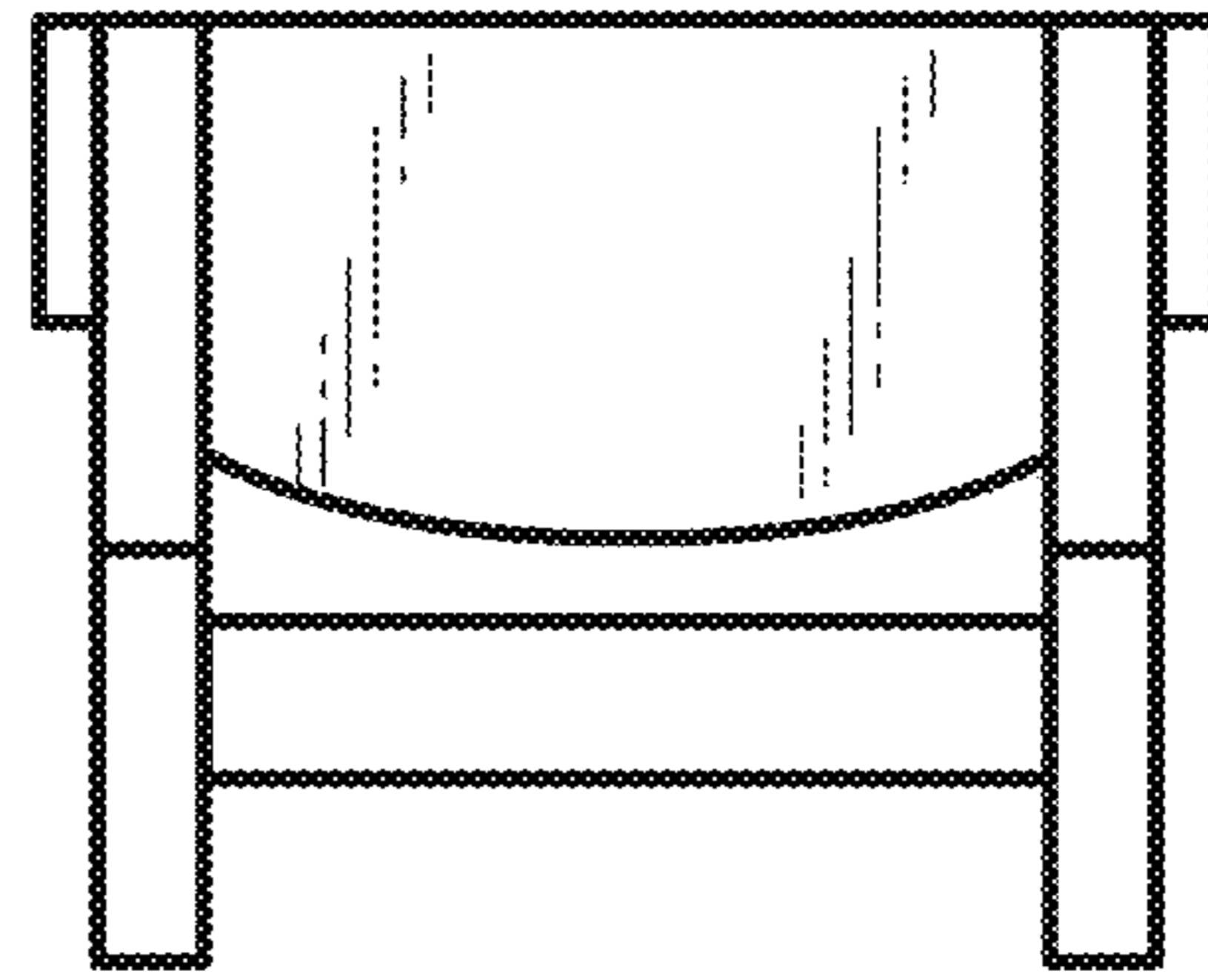


Fig. 8

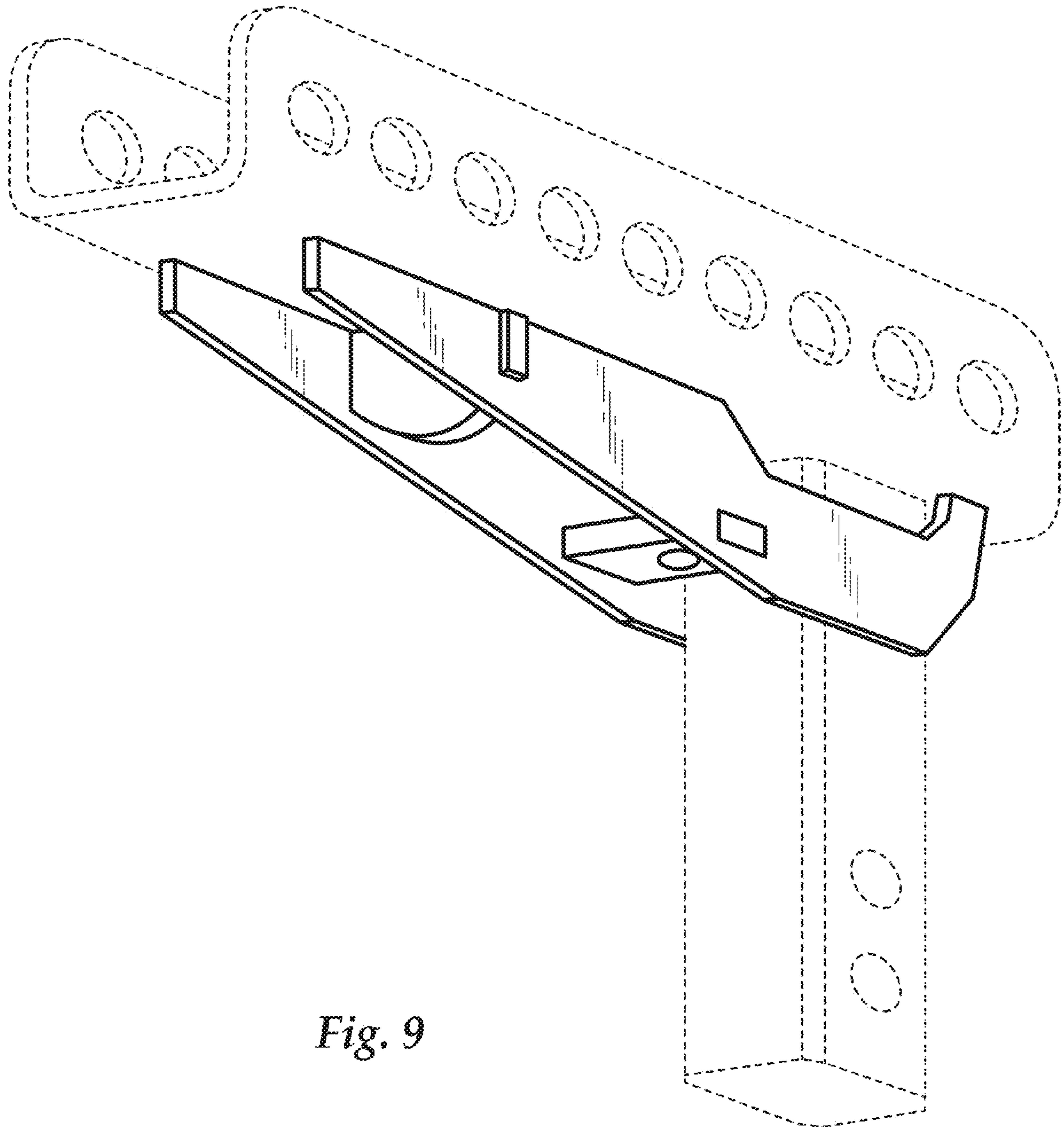


Fig. 9