



US00D964222S

(12) **United States Design Patent**
Zhou

(10) **Patent No.:** **US D964,222 S**

(45) **Date of Patent:** **** Sep. 20, 2022**

- (54) **TRAILER HITCH WITH HOOK**
- (71) Applicant: **Wenteng Zhou**, Zhejiang (CN)
- (72) Inventor: **Wenteng Zhou**, Zhejiang (CN)
- (**) Term: **15 Years**
- (21) Appl. No.: **29/785,572**
- (22) Filed: **May 26, 2021**
- (51) **LOC (13) Cl.** **12-16**
- (52) **U.S. Cl.**
USPC **D12/162**
- (58) **Field of Classification Search**
USPC D12/159, 160, 161, 162, 400, 317;
D21/777, 810
CPC . B60D 1/60; B60D 1/065; B60D 1/00; B60D
1/06; B60D 1/36; B62D 33/033
See application file for complete search history.

- D932,385 S * 10/2021 Sablatura B60R 9/06
D12/162
- D947,079 S * 3/2022 Chen D12/162
- 2017/0246924 A1 * 8/2017 Thompson B60D 1/04
- 2022/0161735 A1 * 5/2022 Mannsfeld E04H 15/06

* cited by examiner

Primary Examiner — Katrina A Betton

(74) *Attorney, Agent, or Firm* — ScienBiziP, P.C.

(56) **References Cited**

U.S. PATENT DOCUMENTS

- D634,259 S * 3/2011 Farber D12/408
- D856,199 S * 8/2019 Siegel D12/162
- D873,724 S * 1/2020 Borkholder D12/162
- D879,671 S * 3/2020 Siegel D12/162
- D889,376 S * 7/2020 Prasad D12/213
- D907,537 S * 1/2021 Goodner D12/162
- D929,912 S * 9/2021 Lu D12/162
- D930,156 S * 9/2021 Wong D24/134
- D931,152 S * 9/2021 Rabska D12/162

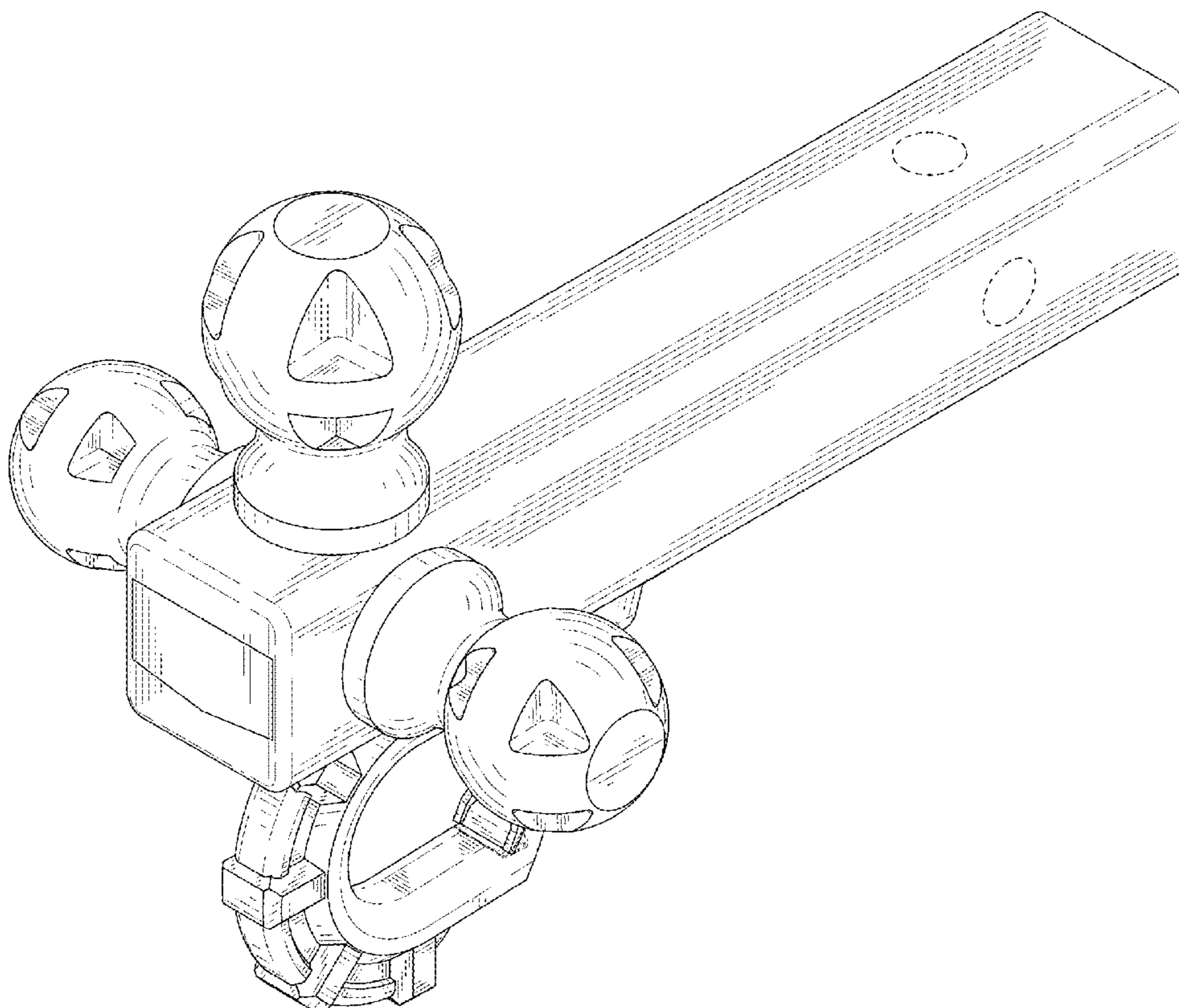
(57) **CLAIM**

The ornamental design for a trailer hitch with hook, as shown and described.

DESCRIPTION

FIG. 1 is a front, left, and top perspective view of a trailer hitch with hook, showing my design.
 FIG. 2 is a rear, right, and bottom perspective view thereof.
 FIG. 3 is a front elevation view thereof.
 FIG. 4 is a rear elevation view thereof.
 FIG. 5 is a left side elevation view thereof.
 FIG. 6 is a right side elevation view thereof.
 FIG. 7 is a top plan view thereof; and,
 FIG. 8 is a bottom plan view thereof.
 The broken lines shown in the drawings are included for the purpose of illustrating portions of the trailer hitch with hook that form no part of the claimed design.

1 Claim, 8 Drawing Sheets



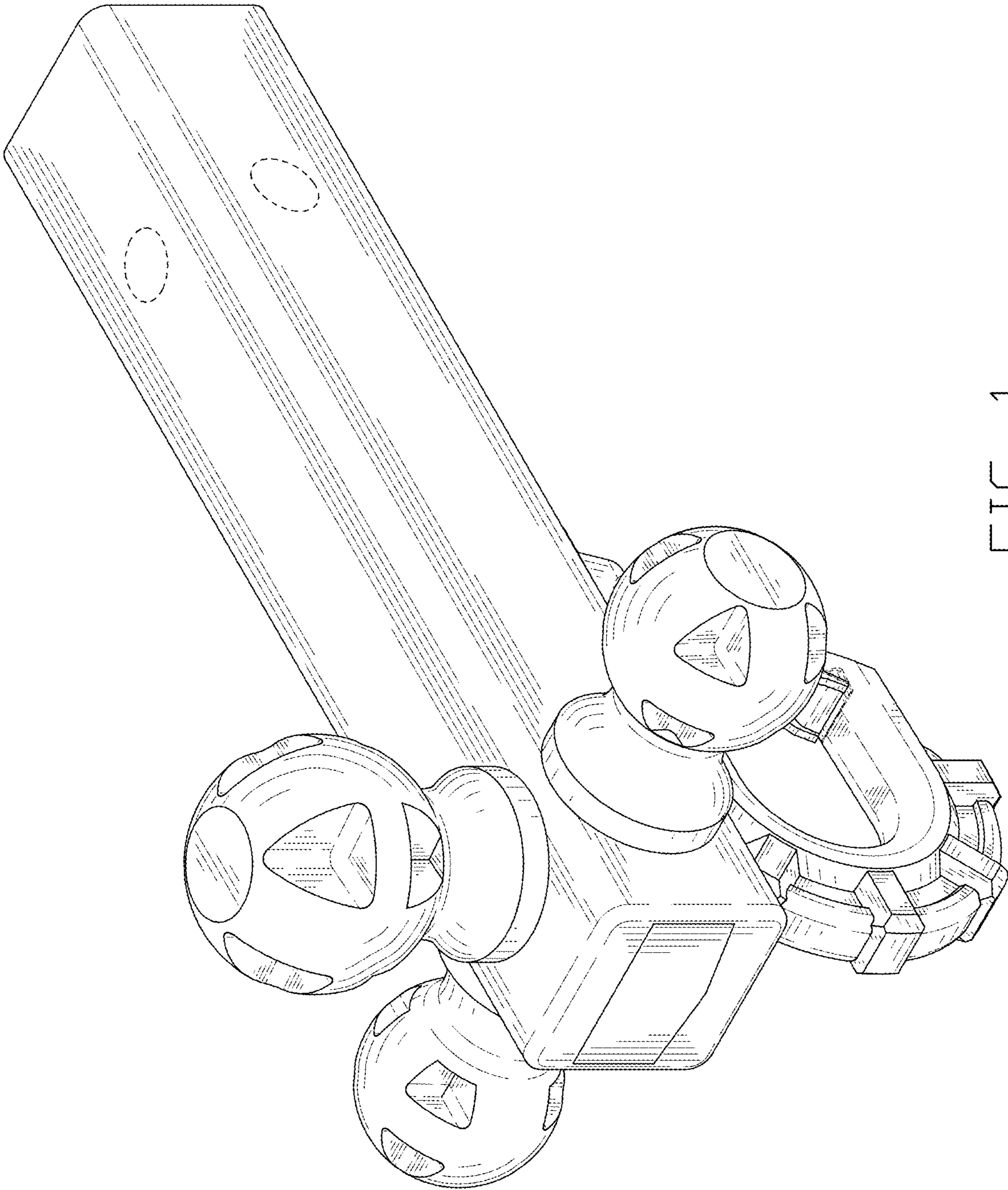


FIG. 1

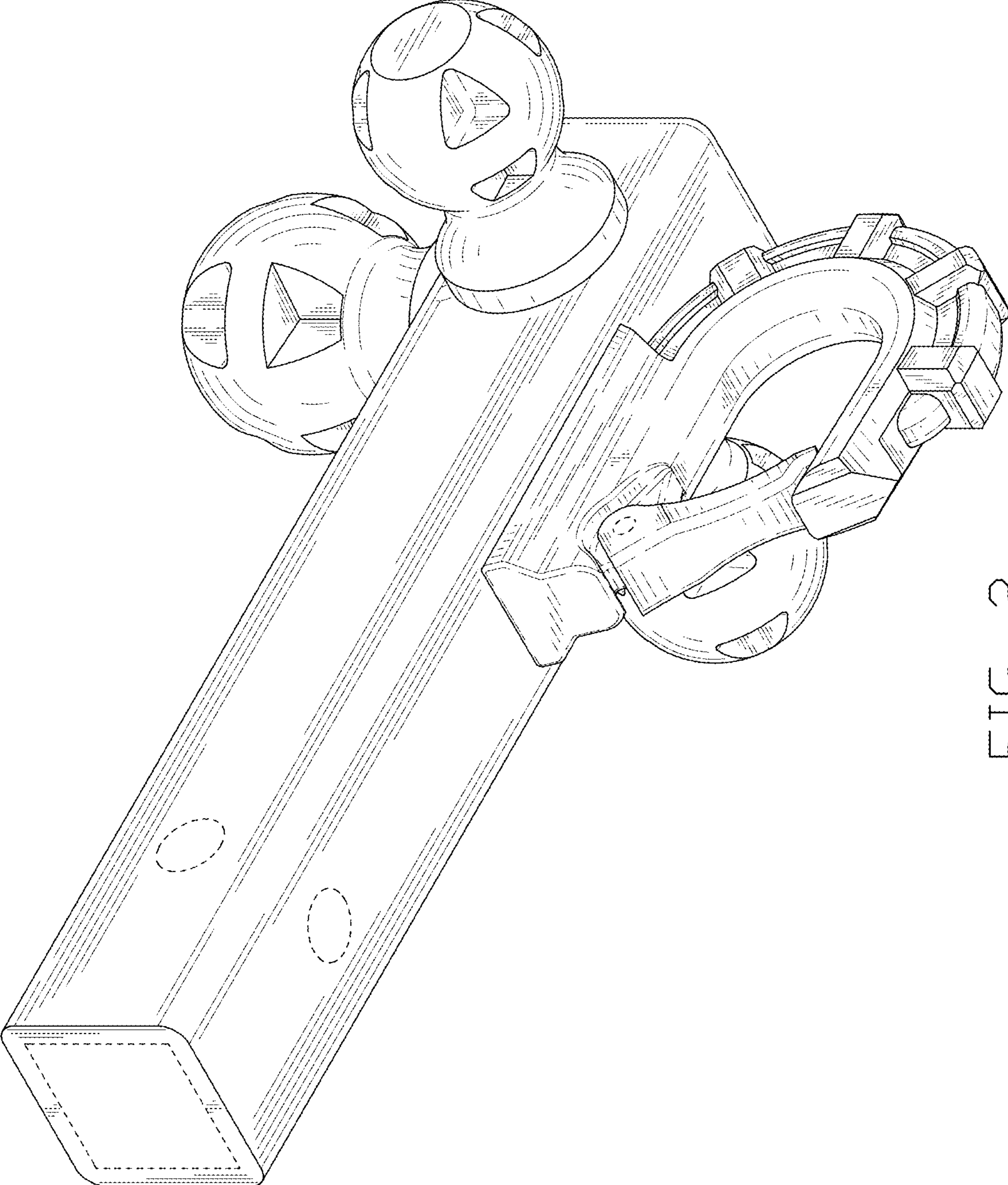


FIG. 2

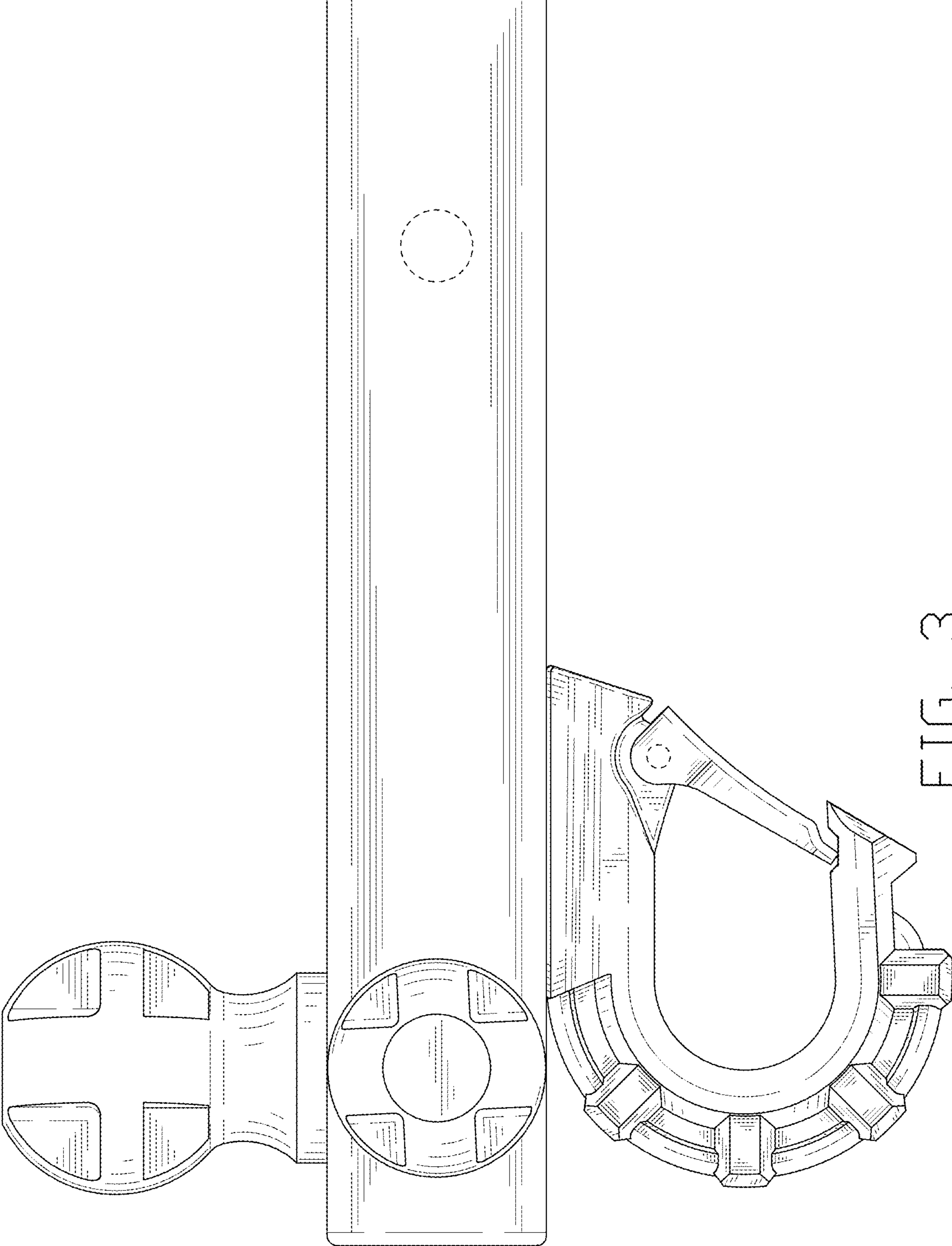


FIG. 3

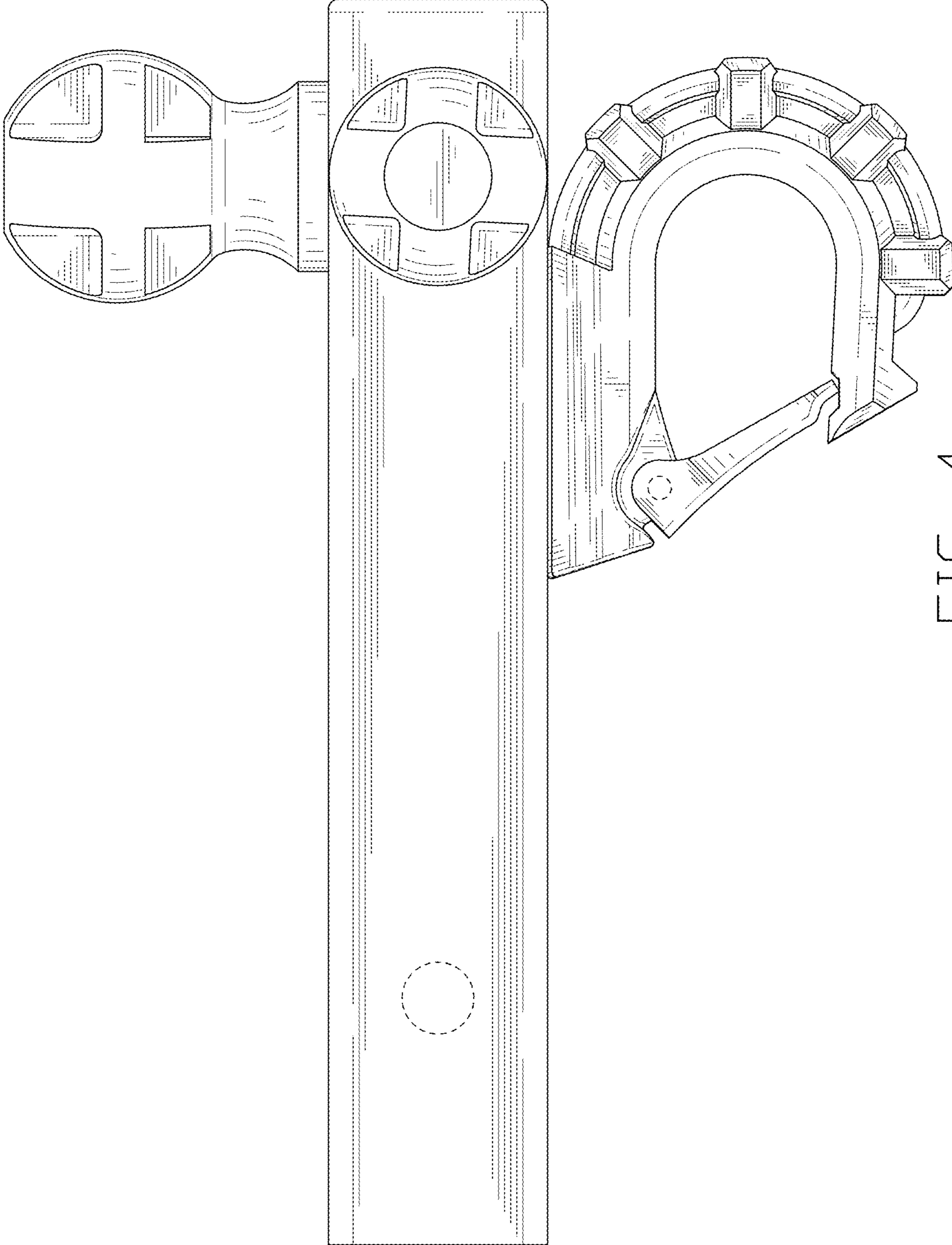


FIG. 4

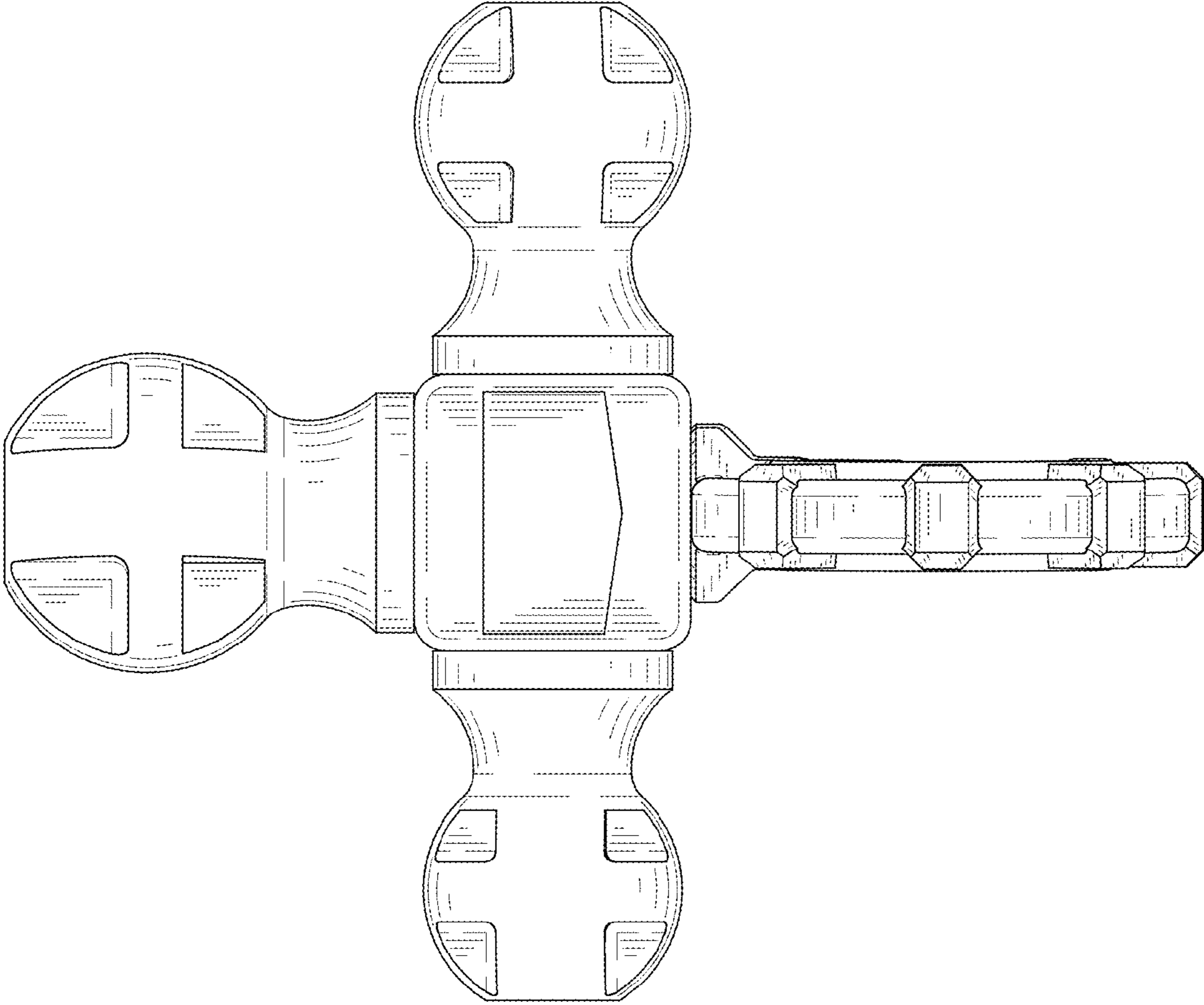


FIG. 5

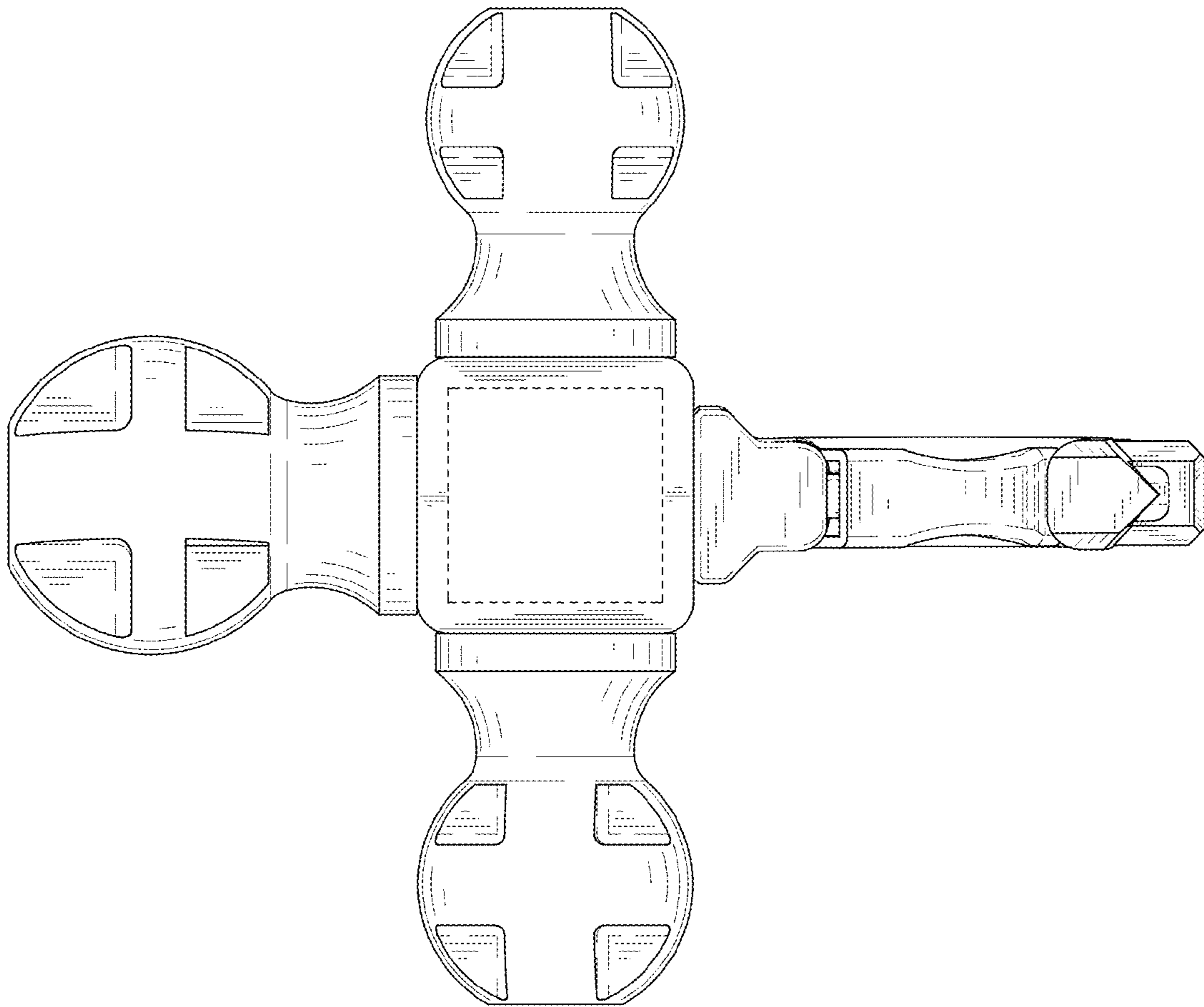


FIG. 6

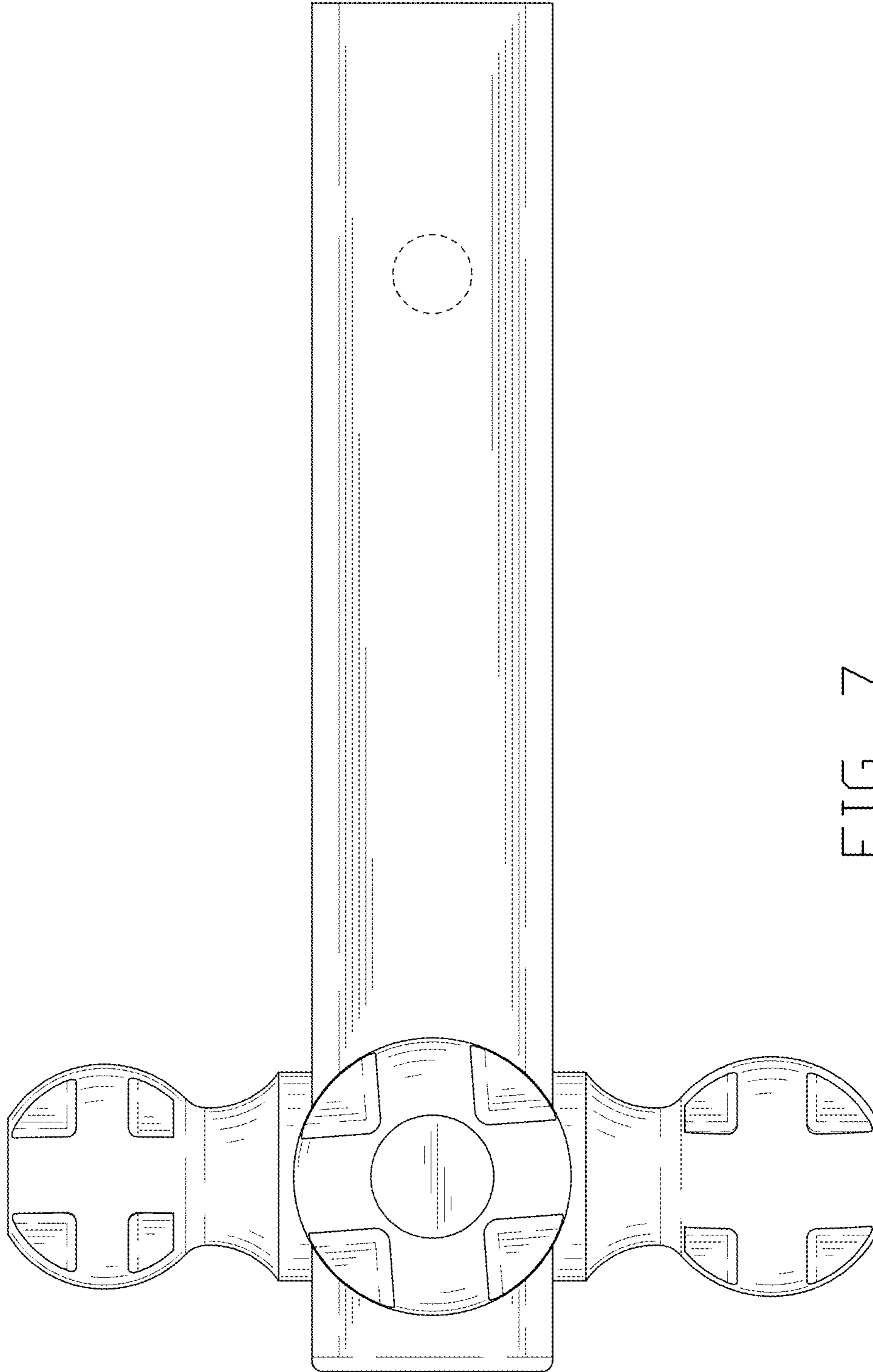


FIG. 7

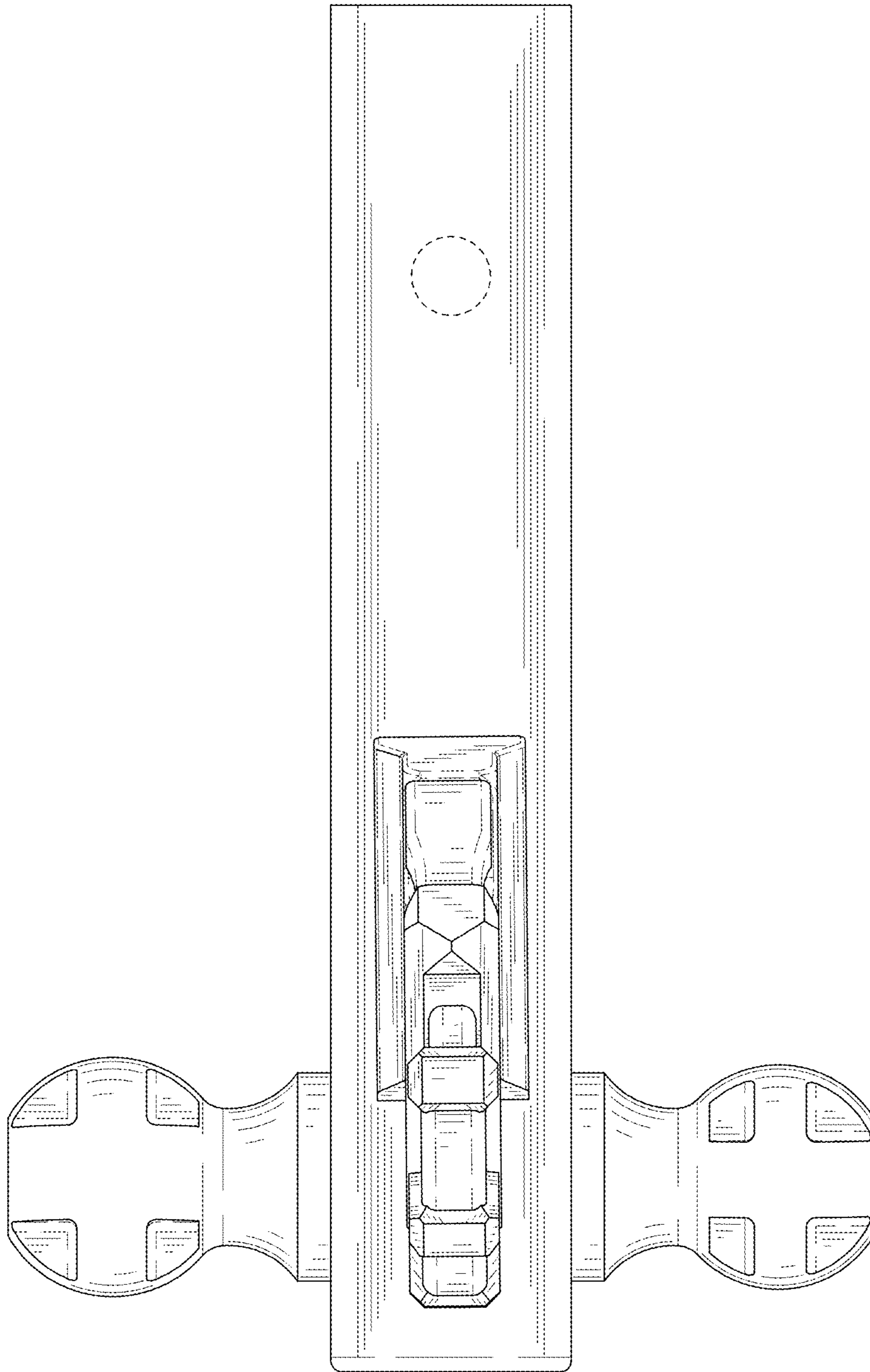


FIG. 8