



US00D964220S

(12) **United States Design Patent** (10) **Patent No.:** **US D964,220 S**  
**Osborn et al.** (45) **Date of Patent:** **\*\* Sep. 20, 2022**

(54) **SPROCKET**  
(71) Applicant: **GATES CORPORATION**, Denver, CO (US)  
(72) Inventors: **Ryan Osborn**, Denver, CO (US); **Bret Cash**, Denver, CO (US)  
(73) Assignee: **Gates Corporation**, Denver, CO (US)  
(\*\*) Term: **15 Years**  
(21) Appl. No.: **29/758,691**  
(22) Filed: **Nov. 17, 2020**  
(51) **LOC (13) Cl.** ..... **12-11**  
(52) **U.S. Cl.**  
USPC ..... **D12/123**  
(58) **Field of Classification Search**  
USPC ..... D6/330, 356, 580; D8/360; D12/1, 7, D12/111, 112, 114, 123, 127, 400; D15/5, 28, 148, 149; D34/29  
CPC ..... B62M 9/10; F16H 55/303  
See application file for complete search history.

D716,191 S \* 10/2014 Reiter ..... F16H 55/303 D12/123  
D718,658 S \* 12/2014 Cadarette ..... D12/7  
9,222,568 B2 12/2015 Schroedl  
D750,998 S \* 3/2016 Wang ..... D12/123  
D765,551 S \* 9/2016 Baker, Jr. .... D12/123  
D774,987 S \* 12/2016 Miles ..... D12/123  
D787,380 S \* 5/2017 Karol ..... D12/123  
D806,614 S \* 1/2018 Turner ..... D12/123  
D811,948 S \* 3/2018 Turner ..... D12/123  
D845,839 S \* 4/2019 Luman ..... D12/123  
D847,034 S \* 4/2019 Luman ..... D12/114  
D867,936 S \* 11/2019 Reiter ..... D12/123  
D881,761 S \* 4/2020 Turner ..... D12/123

\* cited by examiner

*Primary Examiner* — Michael C Stout  
*Assistant Examiner* — Fritzgerald L Butac  
(74) *Attorney, Agent, or Firm* — Alyssa K. Sandrowitz, Esq.; Kevin J. Aiken, Esq.

(57) **CLAIM**

The ornamental design for a sprocket, as shown and described.

**DESCRIPTION**

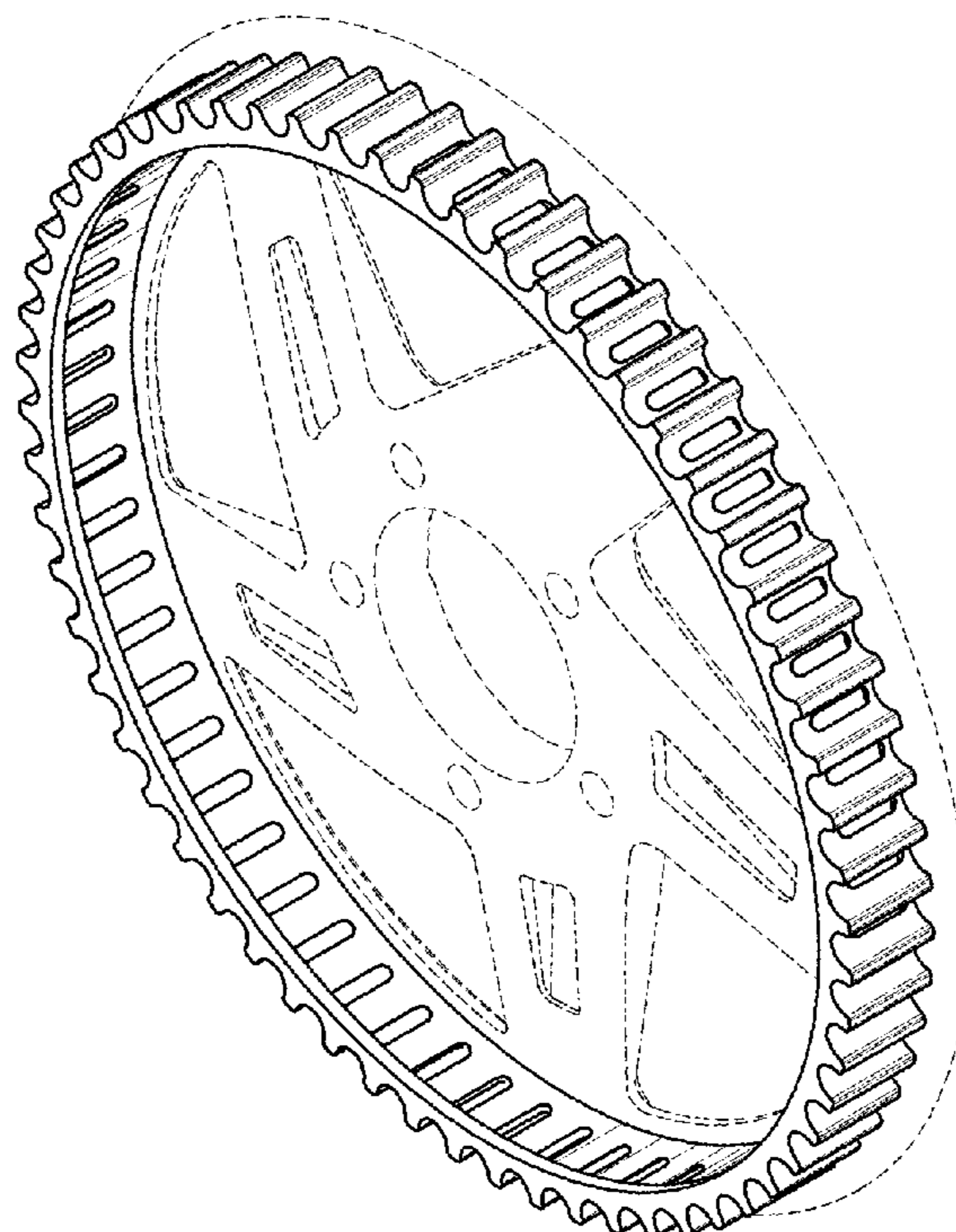
FIG. 1 is a front perspective view.  
FIG. 2 is a front elevation view.  
FIG. 3 is a side elevation view.  
FIG. 4 is a top plan view; and,  
FIG. 5 is a rear elevation view.  
The broken lines shown on the sprocket are included for the purpose of illustrating portions of the sprocket which form no part of the claimed design.

**1 Claim, 2 Drawing Sheets**

(56) **References Cited**

U.S. PATENT DOCUMENTS

D544,894 S 6/2007 Clarke  
D545,333 S 6/2007 Clarke  
D549,258 S \* 8/2007 Zhu ..... D15/148  
D592,107 S 5/2009 Clarke  
D599,255 S \* 9/2009 Wickliffe ..... D12/123  
D599,718 S \* 9/2009 Wickliffe ..... D12/123  
D604,346 S \* 11/2009 Chiang ..... D12/123  
8,057,337 B2 11/2011 Clarke  
D655,225 S \* 3/2012 Schroedl ..... D12/123



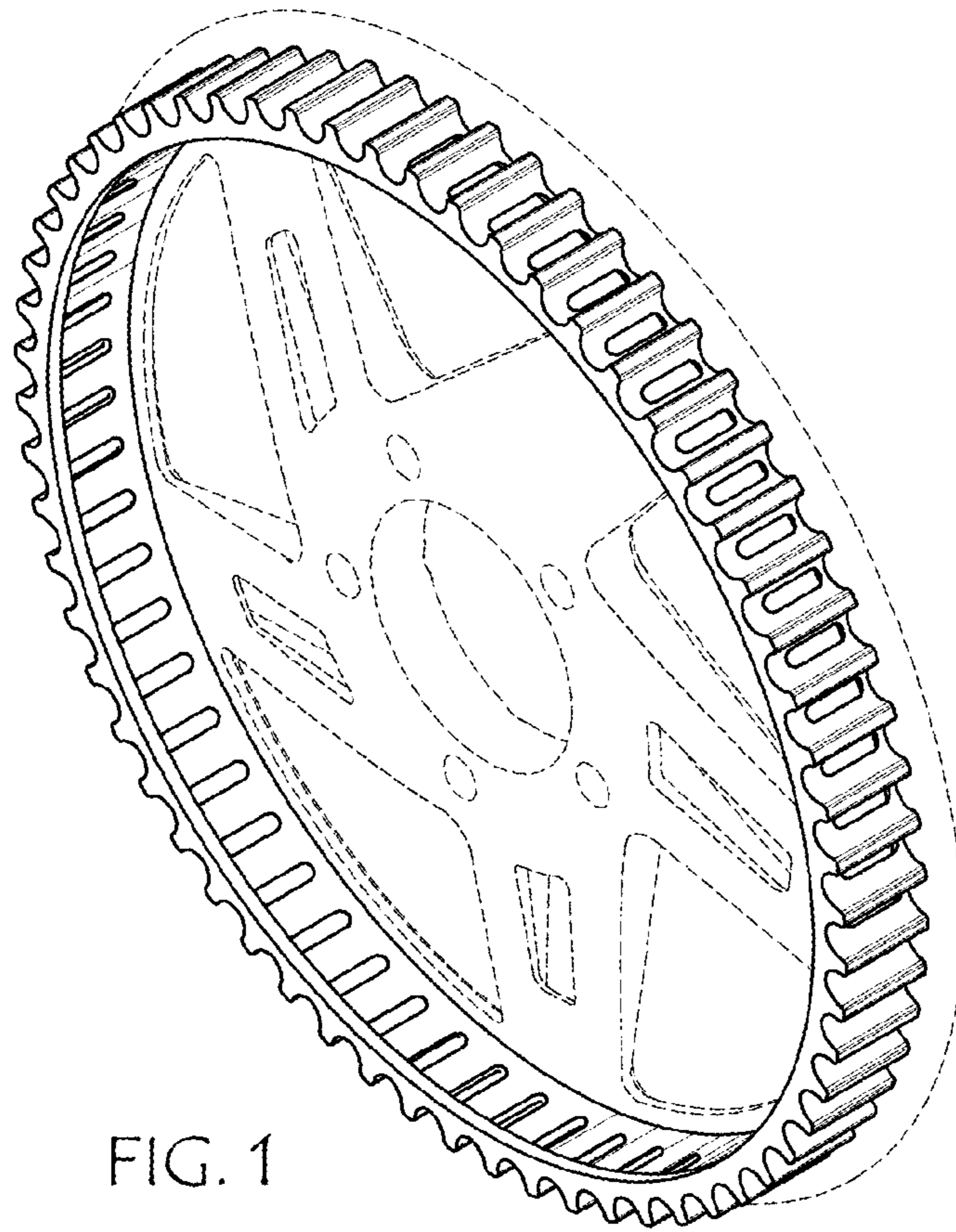


FIG. 1

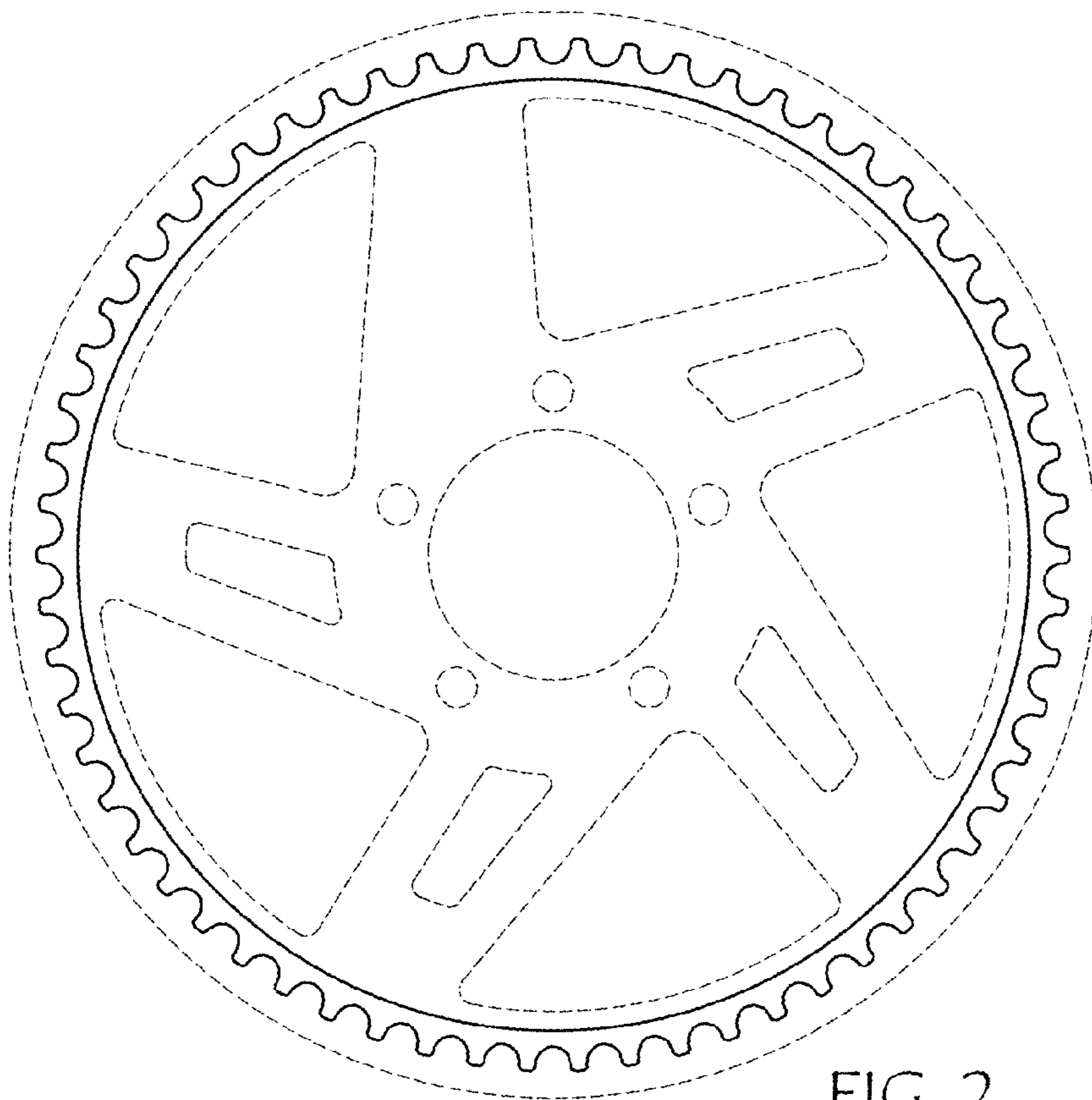


FIG. 2

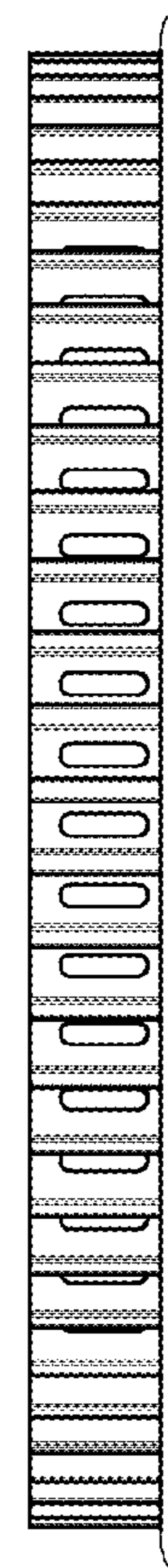


FIG. 3

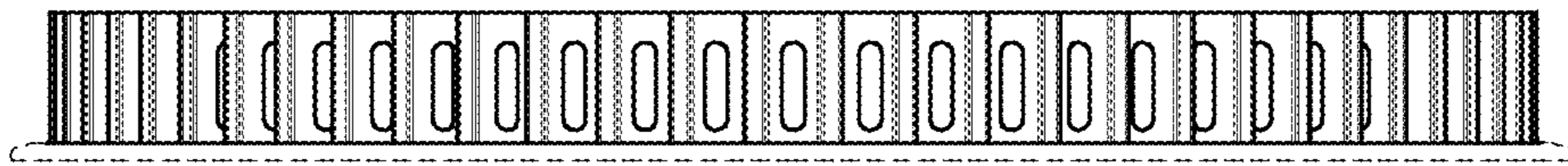


FIG. 4

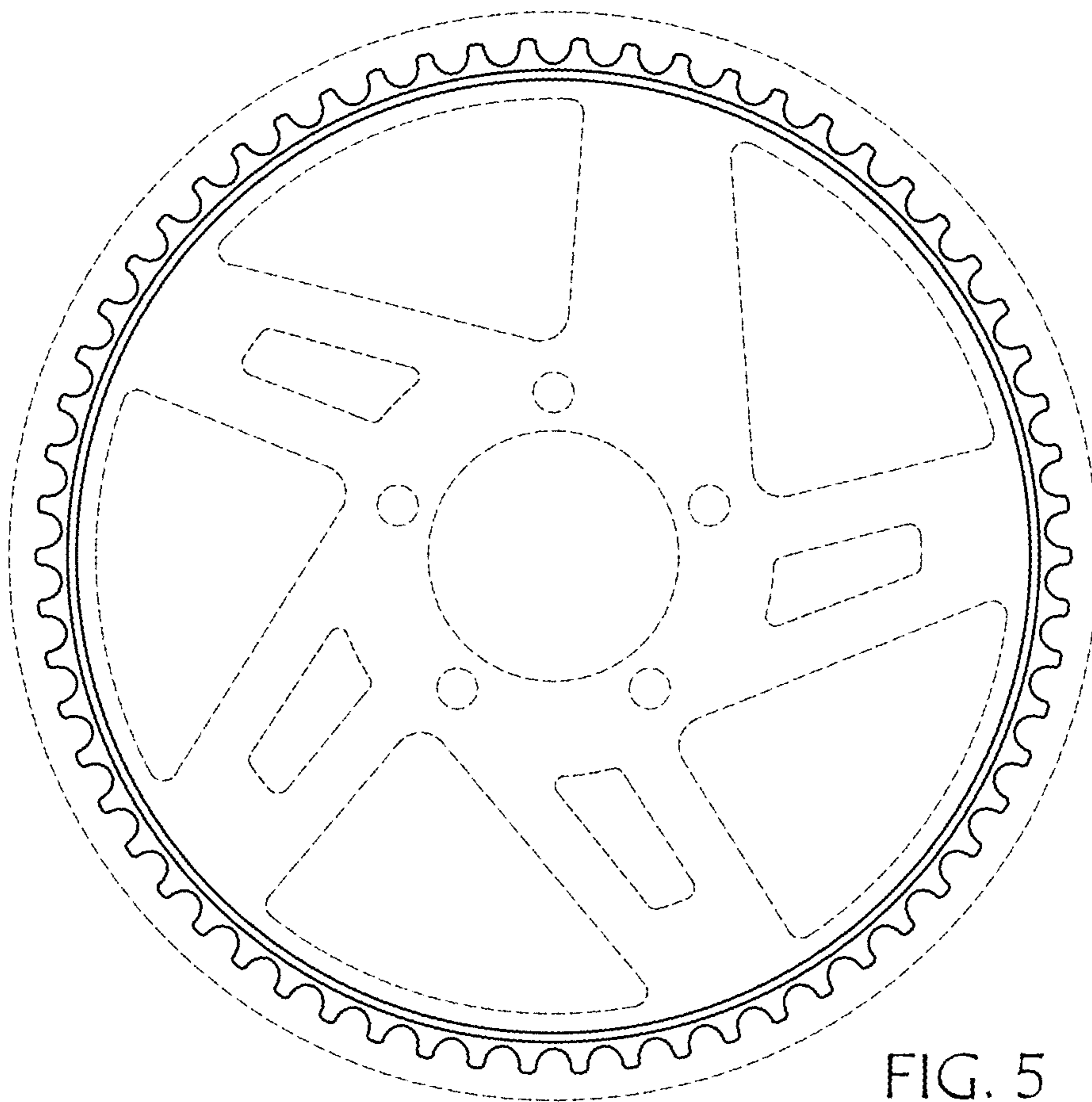


FIG. 5