



US00D964219S

(12) **United States Design Patent** (10) **Patent No.:** **US D964,219 S**
Xie (45) **Date of Patent:** **** Sep. 20, 2022**

(54) **ELECTRIC FAT TIRE BIKE**
(71) Applicant: **Shenzhen Cyrusher Technology Co., Ltd., Shenzhen (CN)**
(72) Inventor: **Chun Xie, Longchang (CN)**
(**) Term: **15 Years**
(21) Appl. No.: **29/812,001**
(22) Filed: **Oct. 19, 2021**
(51) **LOC (13) Cl.** **12-11**
(52) **U.S. Cl.**
USPC **D12/111**
(58) **Field of Classification Search**
USPC D12/111, 117; D21/412, 414, 419,
D21/423-428, 431-435
CPC B62K 3/00; B62K 3/02; B62K 3/06
See application file for complete search history.

D914,548 S 3/2021 Chen
D915,243 S * 4/2021 Sun D12/111
D915,244 S * 4/2021 Chen D12/111
D928,668 S 8/2021 Li et al.
D931,146 S * 9/2021 Huang D12/111
D940,010 S * 1/2022 Hu D12/111
D951,144 S * 5/2022 Tomohiko D12/111
D952,520 S * 5/2022 Liu D12/111
2014/0209400 A1 * 7/2014 Yao B62M 6/45
180/167

OTHER PUBLICATIONS

Micah Toll. "Cyrusher Kommoda full-suspension electric bike review: A fun, category . . ." *Electrek*, Apr. 1, 2022 [online], [retrieved on Jun. 1, 2022]. Retrieved from the Internet <URL: <https://electrek.co/2022/04/01/cyrusher-kommoda-full-suspension-electric-bike-review-a-fun-category-busting-fat-tire-e-bike/>>.*

(Continued)

Primary Examiner — Darlington Ly
(74) *Attorney, Agent, or Firm* — Rumit Ranjit Kanakia

(56) **References Cited**
U.S. PATENT DOCUMENTS

D401,534 S * 11/1998 Higashihara D12/110
D414,721 S * 10/1999 Nakamura D12/110
D594,787 S * 6/2009 Dallaire D12/111
D614,084 S * 4/2010 Tanaka D12/111
D620,401 S * 7/2010 Haller D12/111
D621,302 S * 8/2010 Tanaka D12/111
D625,228 S * 10/2010 Lockart D12/111
D626,037 S * 10/2010 Thetard D12/111
D651,539 S * 1/2012 Thetard D12/111
D727,214 S * 4/2015 Yang D12/111
D730,779 S * 6/2015 Arbour D12/111
D745,836 S * 12/2015 Poster D12/111
D774,972 S * 12/2016 Lambri D12/111
D789,836 S * 6/2017 Gouin D12/111
D807,232 S 1/2018 Bailie
D833,916 S * 11/2018 Yu D12/111
D843,269 S 3/2019 Shi
D854,969 S * 7/2019 Gouin D12/111

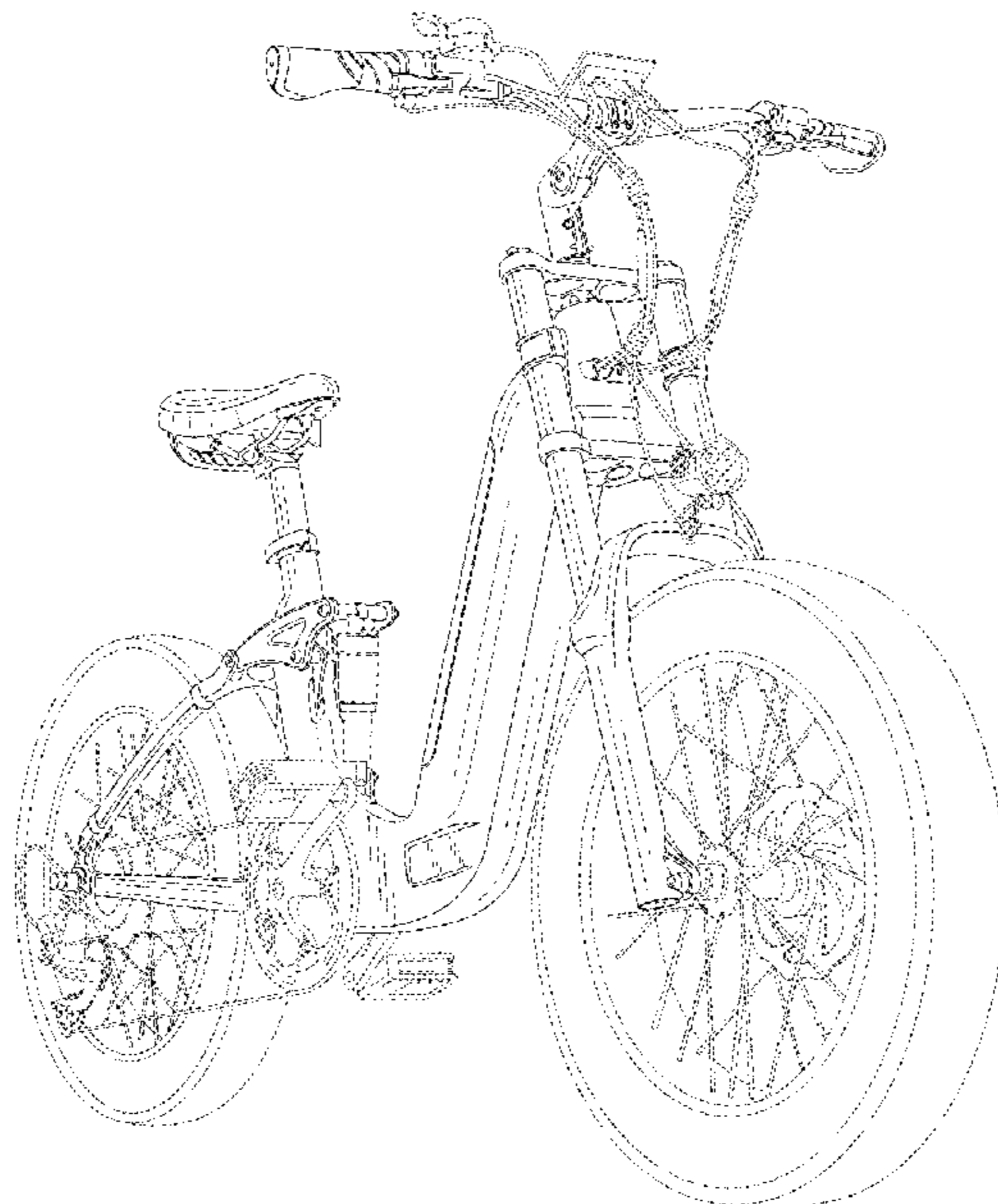
(57) **CLAIM**

I claim the ornamental design for an electric fat tire bike, as shown and described.

DESCRIPTION

FIG. 1 is a front and right side perspective view of an electric fat tire bike embodying my new design;
FIG. 2 is a front elevation view thereof;
FIG. 3 is a rear elevation view thereof;
FIG. 4 is a right side elevation view thereof;
FIG. 5 is a left side elevation view thereof;
FIG. 6 is a top plan view thereof; and,
FIG. 7 is a bottom plan view thereof.
The broken lines in the drawings depict portions of the electric fat tire bike that form no part of the claimed design.

1 Claim, 7 Drawing Sheets



(56)

References Cited

OTHER PUBLICATIONS

Tony. "Cyrusher Kommoda Step-Through Fat Tire E-Bike Preview." eBike Choices., Aug. 25, 2021 [online], [retrieved on Jun. 1, 2022]. Retrieved from the Internet <URL: <https://www.ebikechoices.com/cyrusher-kommoda-step-through-fat-tire-e-bike-preview/>>.*

"New Cyrusher Kommoda." Cyrusher., May 6, 2022 [online], [retrieved on Jun. 1, 2022]. Retrieved from the Internet <URL: <https://www.cyrusher.com/products/kommoda-ebike/>>.*

Tony. "9 of the Best Step-Through Electric Bikes (in 2022)." eBike Choices., Mar. 18, 2022 [online], [retrieved on Jun. 1, 2022]. Retrieved from the Internet <URL: <https://www.ebikechoices.com/best-step-through-electric-bikes/>>.*

* cited by examiner

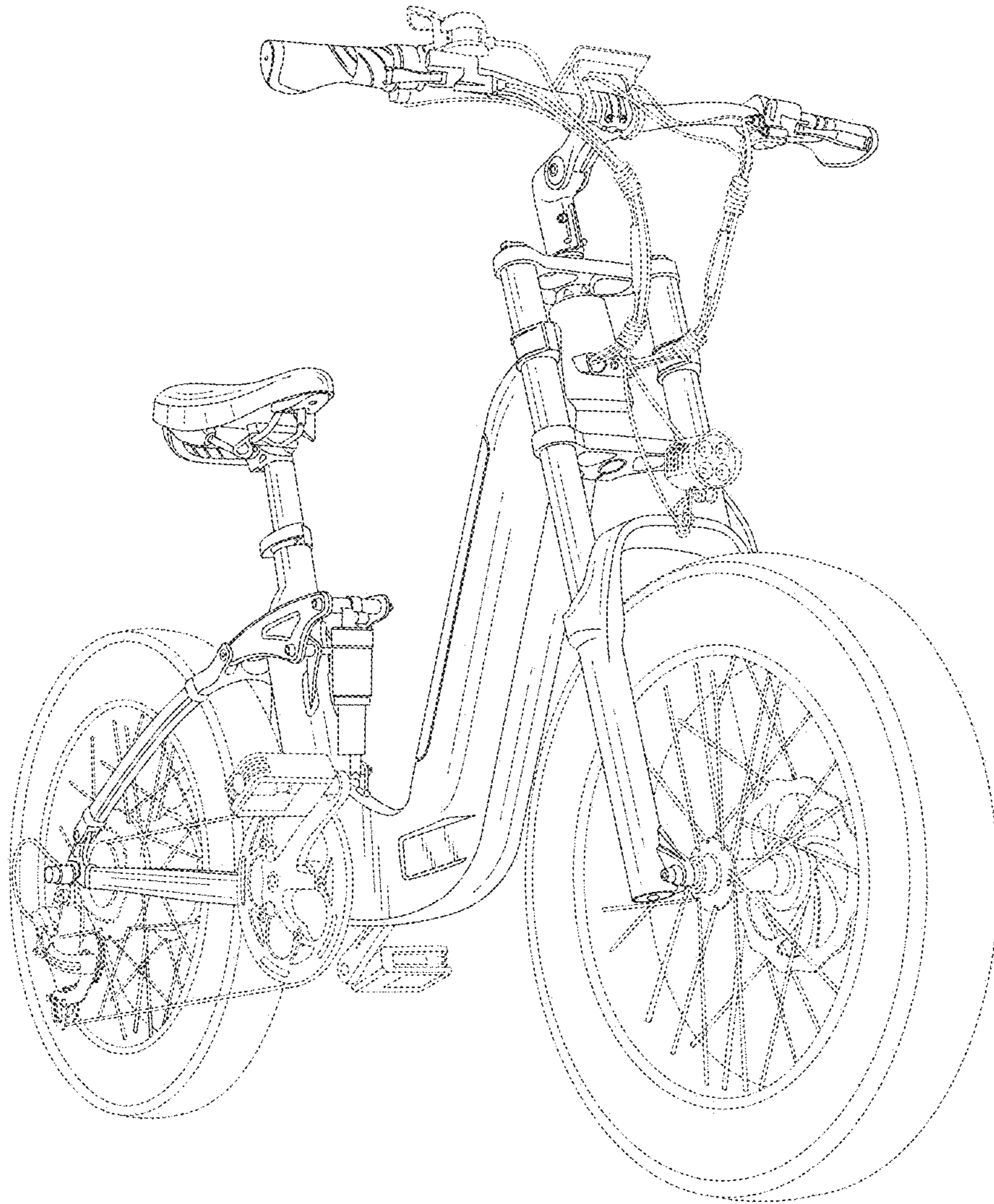


FIG. 1

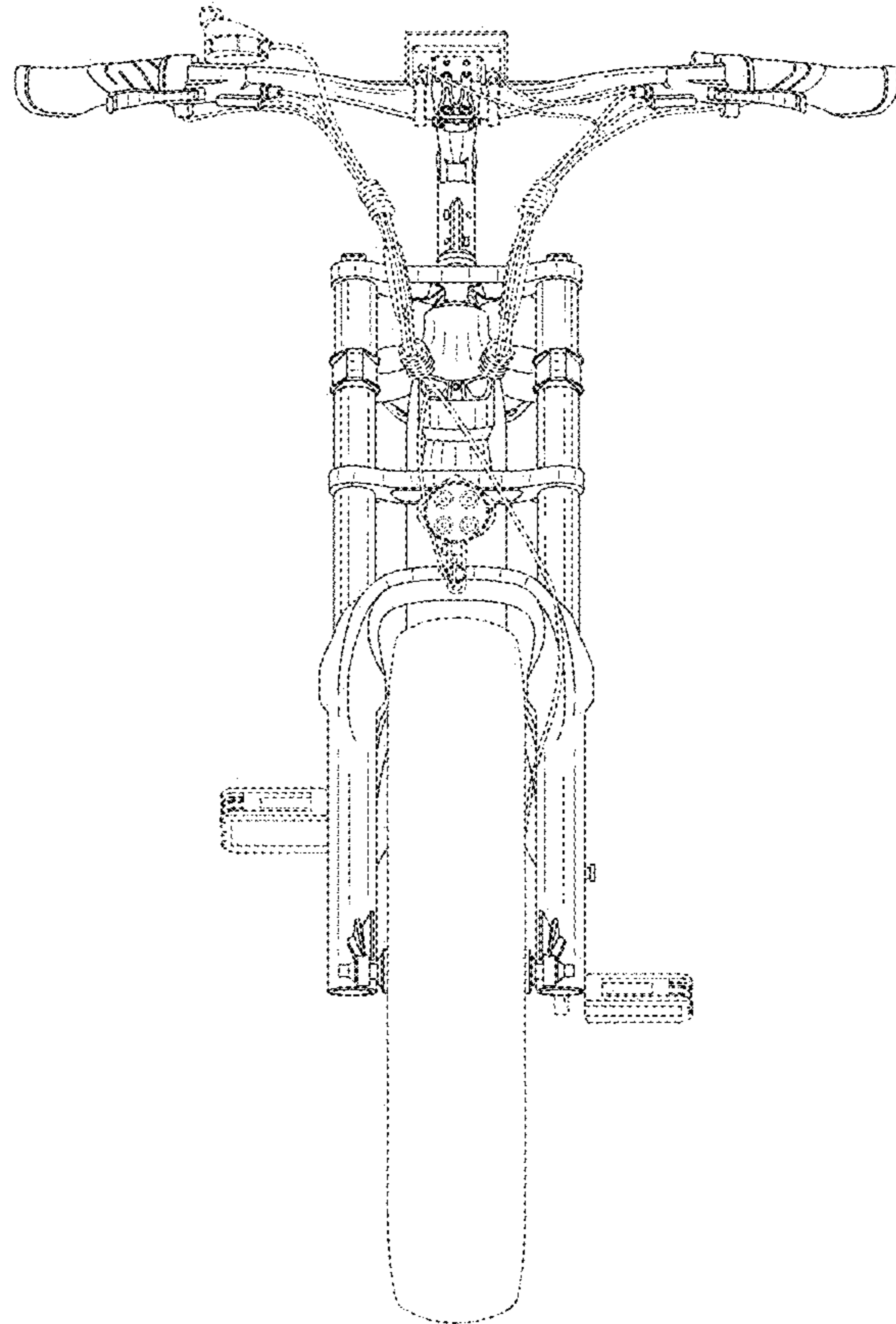


FIG.2

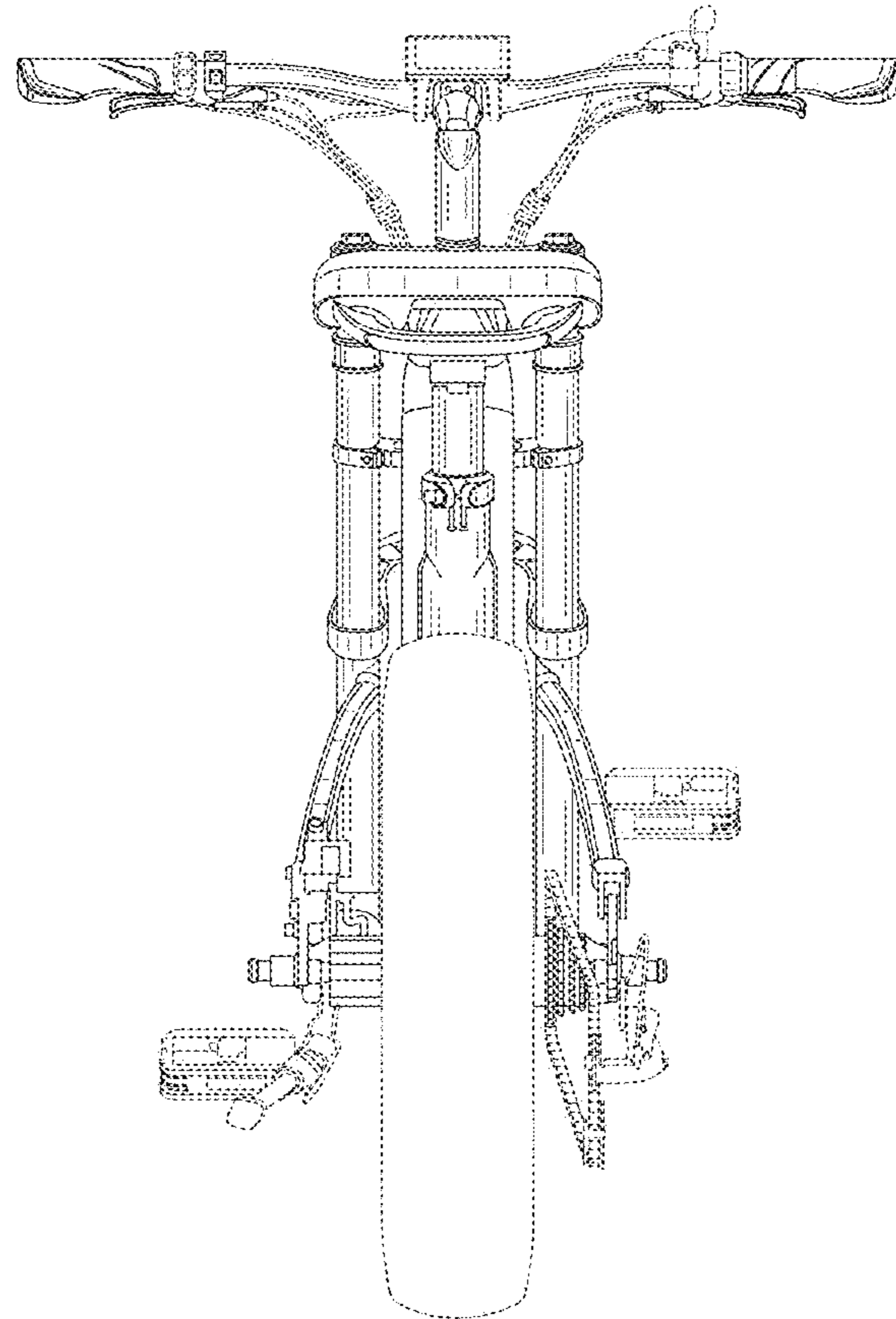


FIG.3

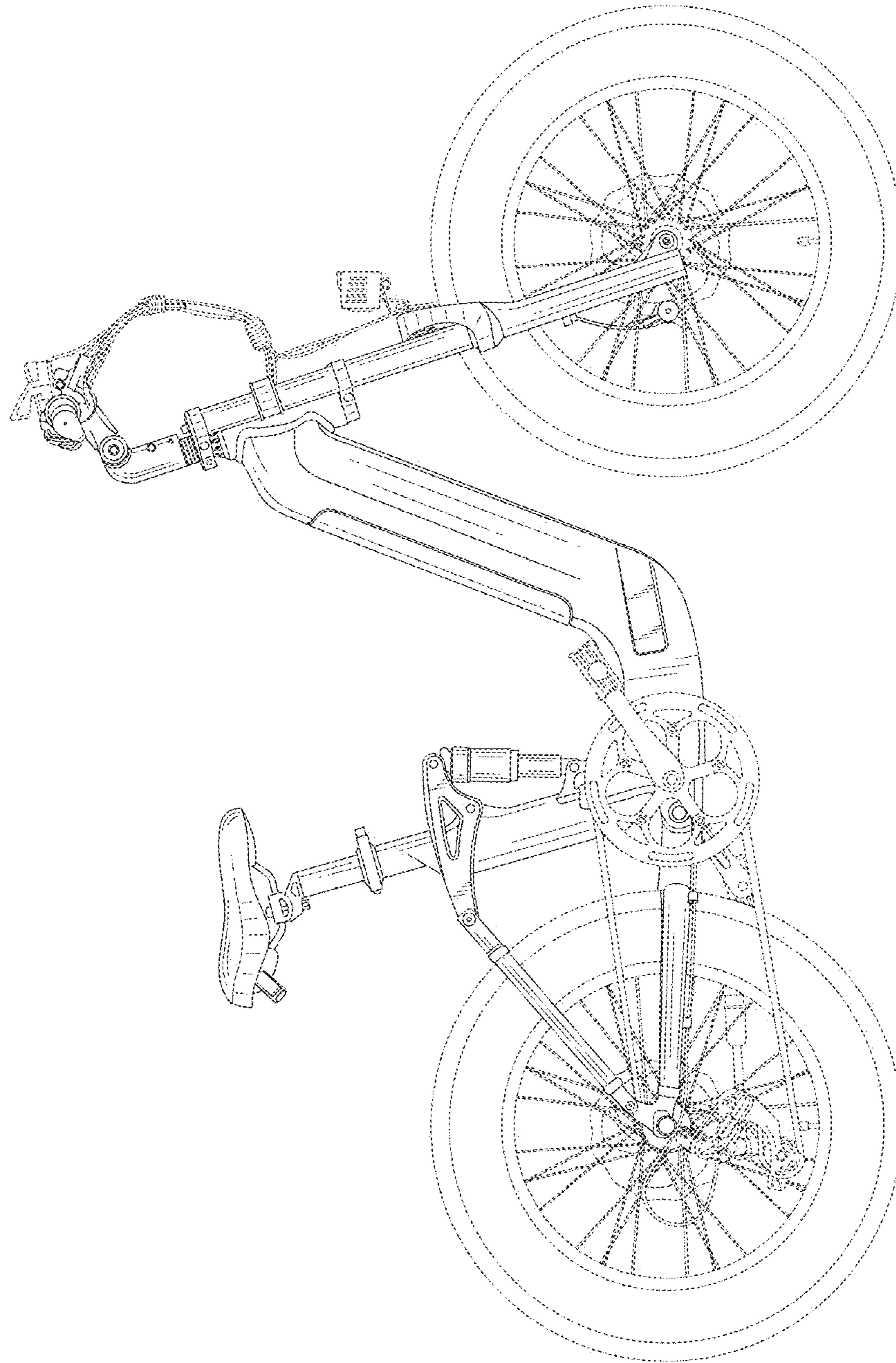


FIG.4

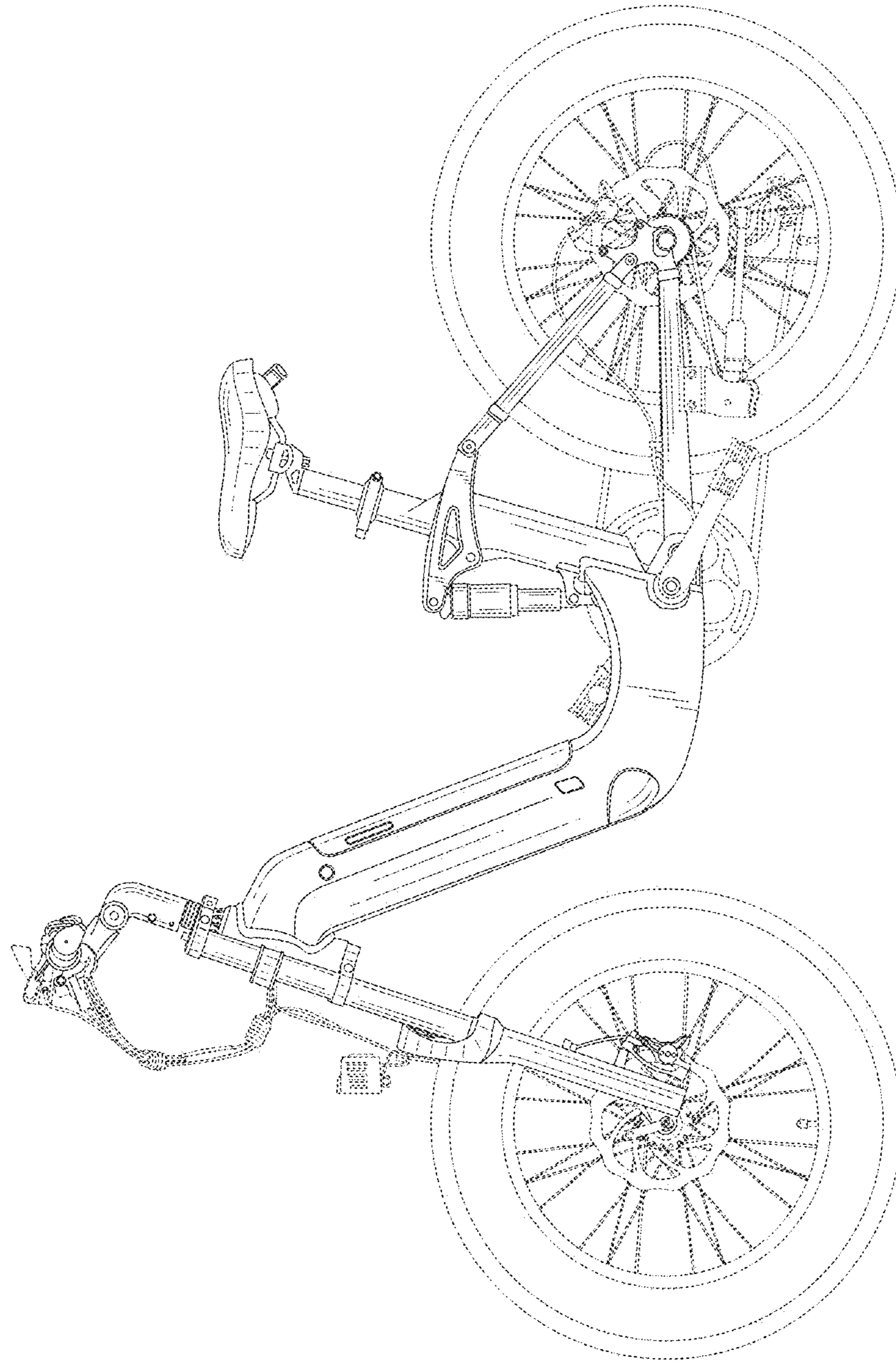


FIG.5

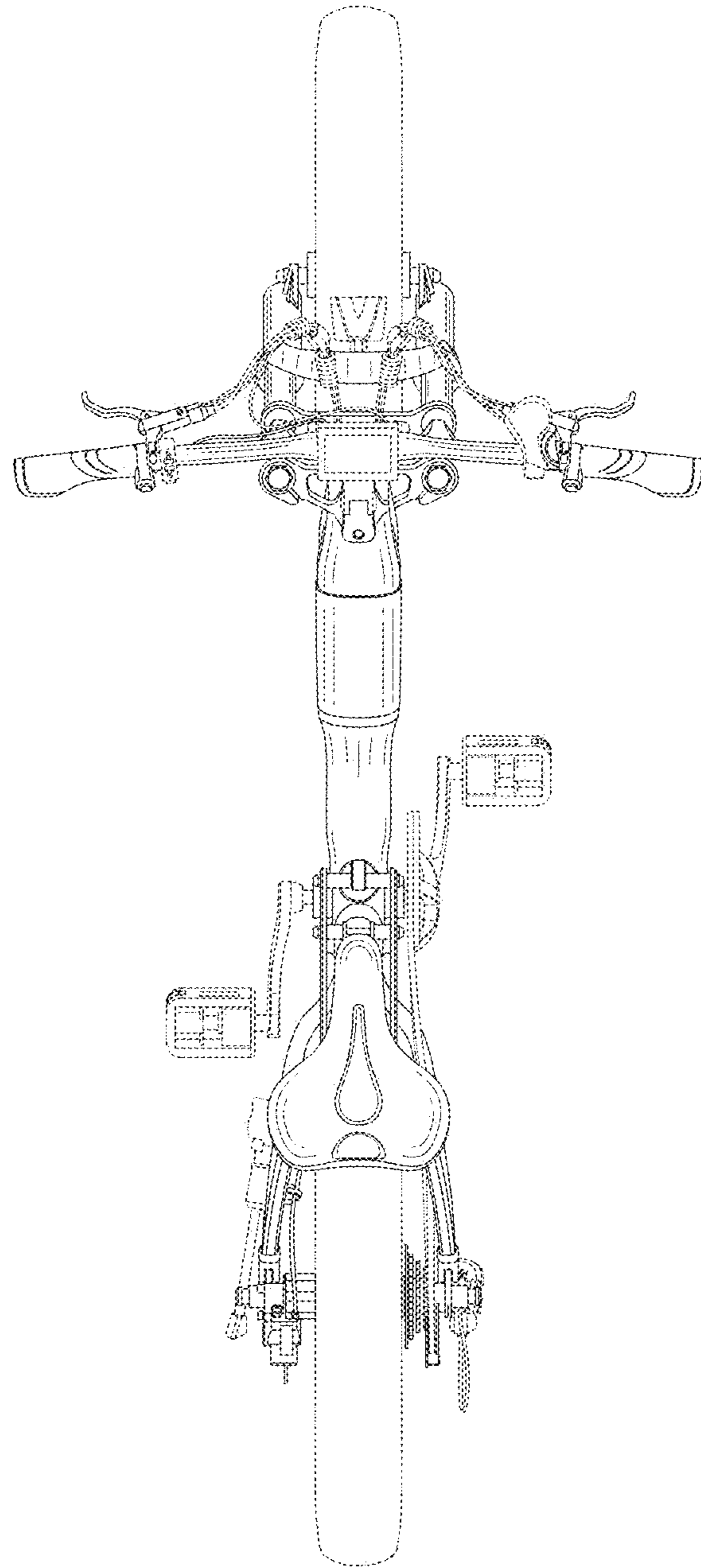


FIG.6

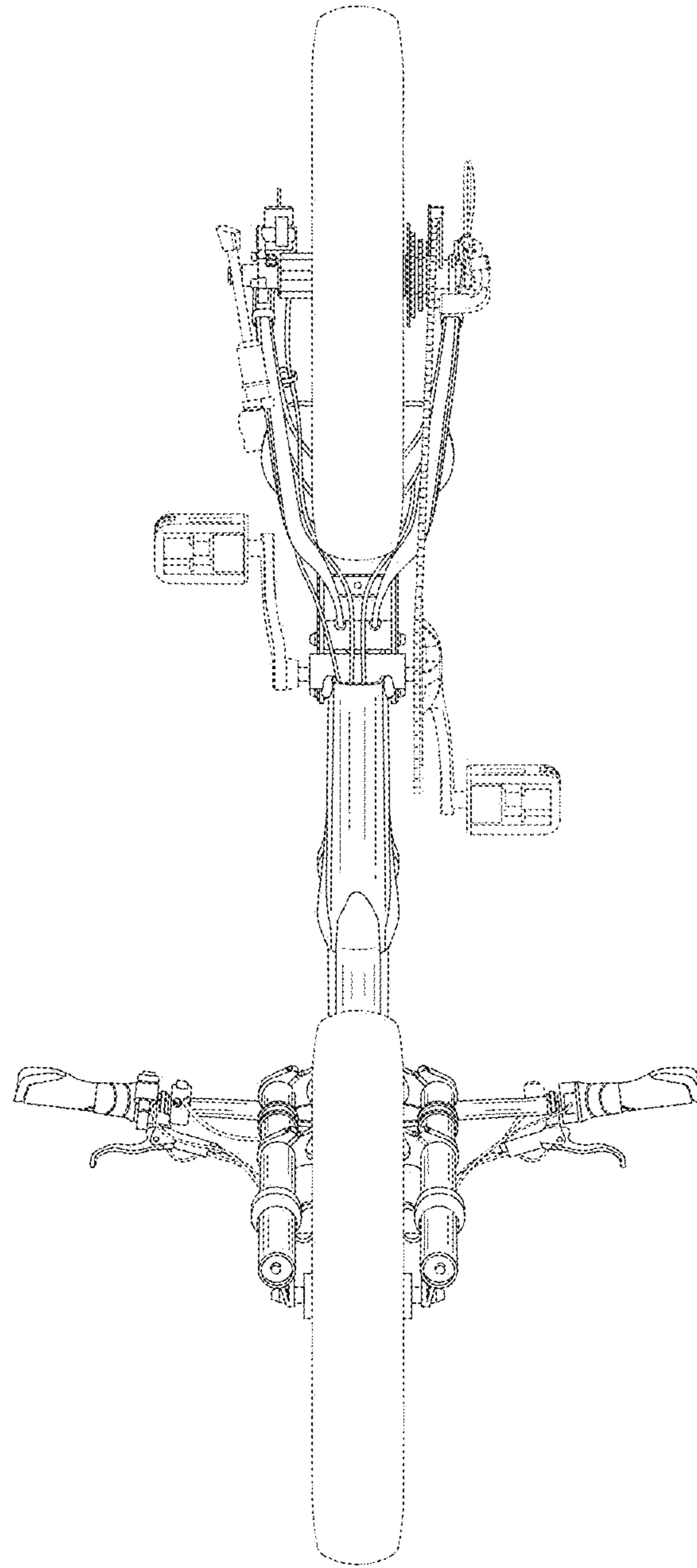


FIG.7