

US00D964217S

(12) **United States Design Patent**
Renger

(10) **Patent No.:** **US D964,217 S**

(45) **Date of Patent:** **** Sep. 20, 2022**

(54) **MOTORCYCLE**

(71) Applicant: **NOVUS GmbH**, Braunschweig (DE)

(72) Inventor: **René Renger**, Braunschweig (DE)

(73) Assignee: **NOVUS GmbH**, Braunschweig (DE)

(**) Term: **15 Years**

(21) Appl. No.: **29/772,097**

(22) Filed: **Feb. 26, 2021**

(30) **Foreign Application Priority Data**

Aug. 31, 2020 (EP) 008151096-0001

(51) **LOC (13) Cl.** **12-11**

(52) **U.S. Cl.**
USPC **D12/110**

(58) **Field of Classification Search**
USPC D12/110, 111, 117; D21/432, 538
CPC B62K 11/00; B62K 11/02; B62K 11/04;
B62K 11/10; B62K 17/00; B62K 19/00;
B62K 2202/00
See application file for complete search history.

(56) **References Cited**

U.S. PATENT DOCUMENTS

D560,561 S *	1/2008	Garcia	D12/110
D653,590 S *	2/2012	Patterson	D12/110
D685,683 S *	7/2013	Shaw	D12/111
D741,221 S *	10/2015	Haller	D12/111
D807,234 S *	1/2018	Chan	D21/432
D833,333 S *	11/2018	Yu	D12/111
D836,038 S *	12/2018	Huang	D12/111
D837,695 S *	1/2019	Xiao	D12/111
D850,982 S *	6/2019	Zhu	D12/111
D885,983 S *	6/2020	Ytterborn	D12/110
D887,903 S *	6/2020	Sondors	D12/111

D914,547 S *	3/2021	Mayer	D21/538
D920,848 S *	6/2021	Kuehne	D12/110
D931,760 S *	9/2021	Su	D12/111
D936,527 S *	11/2021	Okonsky	D12/111
D937,134 S *	11/2021	Lu	12/111
D940,008 S *	1/2022	Lou	D12/110
D950,422 S *	5/2022	Sondors	D12/110
2021/0301772 A1 *	9/2021	Yagi	F02M 35/044
2021/0354774 A1 *	11/2021	Kugele	B62K 11/04

OTHER PUBLICATIONS

“Sondors Metacycle electric motorcycle” Sondors., posted date Jan. 14, 2021 [online], [retrieved on Jan. 13, 2021]. Retrieved from the Internet <URL:https://www.slashgear.com/this-sondors-metacycle-electric-motorcycle-is-weirdly-affordable-and-looks-epic-14655265/> (Year: 2021).*

(Continued)

Primary Examiner — Darlington Ly
(74) *Attorney, Agent, or Firm* — Andrew M. Calderon;
Roberts Calderon Safran & Cole, P.C.

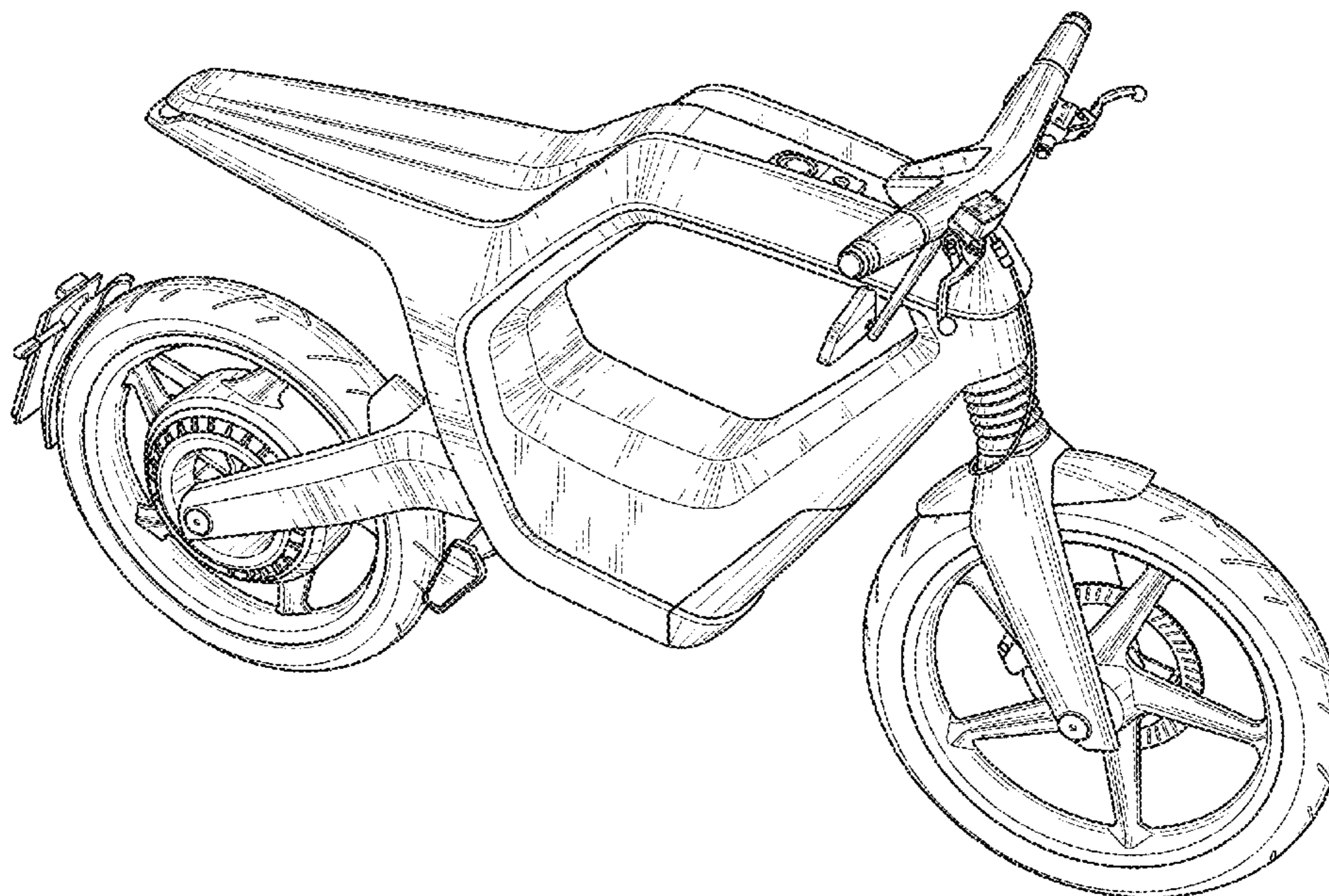
(57) **CLAIM**

I claim the ornamental design for a motorcycle, as shown and described.

DESCRIPTION

FIG. 1 is a front and right side perspective view of a motorcycle embodying my new design;
FIG. 2 is a right side elevation view thereof;
FIG. 3 is a left side elevation view thereof;
FIG. 4 is a front elevation view thereof;
FIG. 5 is a rear elevation view thereof;
FIG. 6 is a top plan view thereof;
FIG. 7 is a bottom plan view thereof; and,
FIG. 8 is a rear and rights side perspective view thereof.

1 Claim, 8 Drawing Sheets



(56)

References Cited

OTHER PUBLICATIONS

“Harley-Davidson Aims to Appeal Younger Generations” HARLEY-DAVIDSON., posted date Oct. 5, 2020 [online], [retrieved on Jan. 13, 2021]. Retrieved from the Internet <URL:<https://www.autoevolution.com/news/electric-harley-davidson-revival-concept-aims-to-appeal-to-younger-generations-149659.html#>> (Year: 2020).*

“Harley-Davidson E-Bike With Swappable Batteries” Harley-Davidson., posted date Jan. 9, 2021 [online], [retrieved on Jan. 13, 2021]. Retrieved from the Internet <URL:<https://www.beautifullife.info/automotive-design/harley-davidson-e-bike-with-swappable-batteries/>> (Year: 2021).*

* cited by examiner

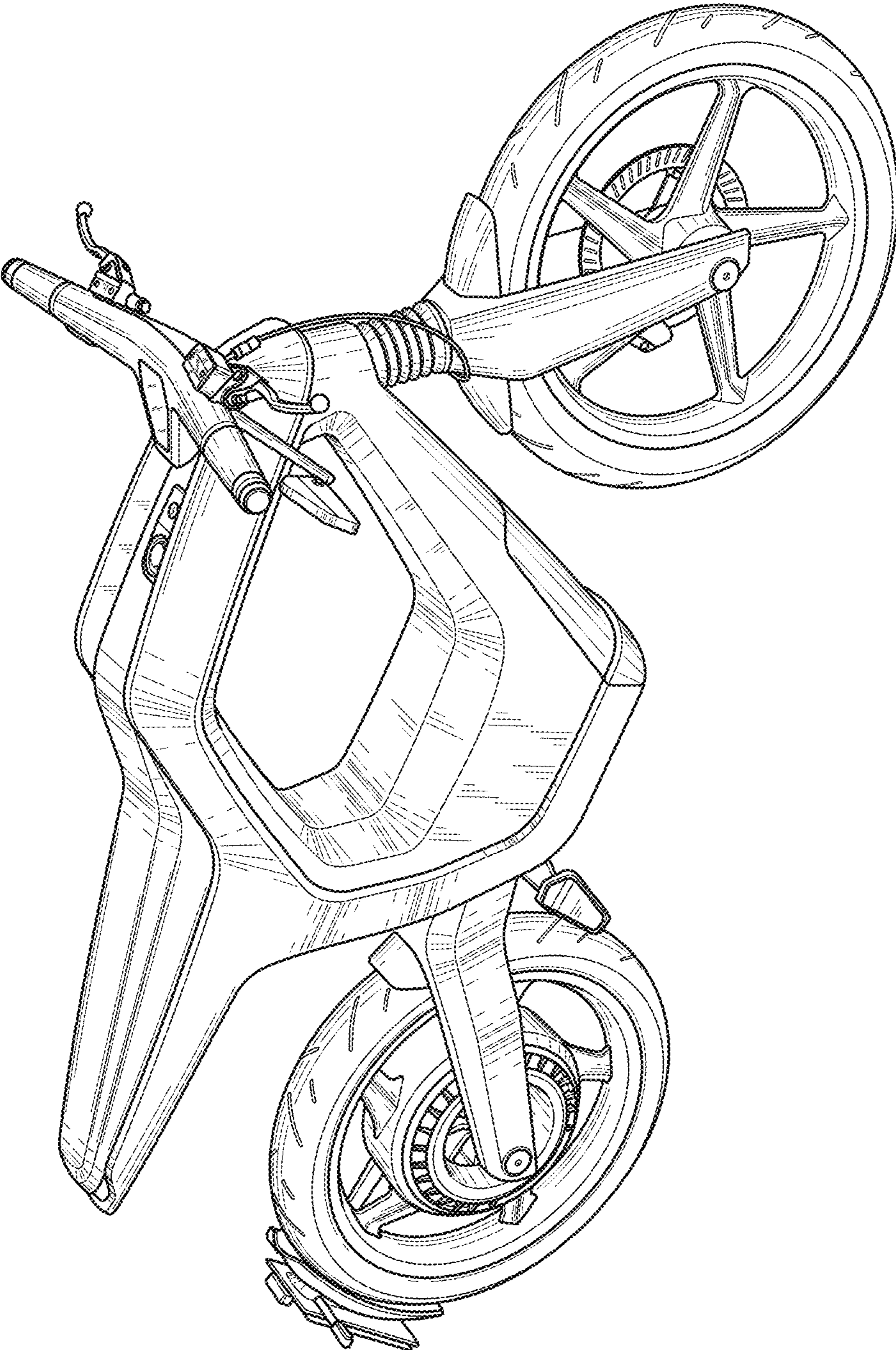


Fig. 1

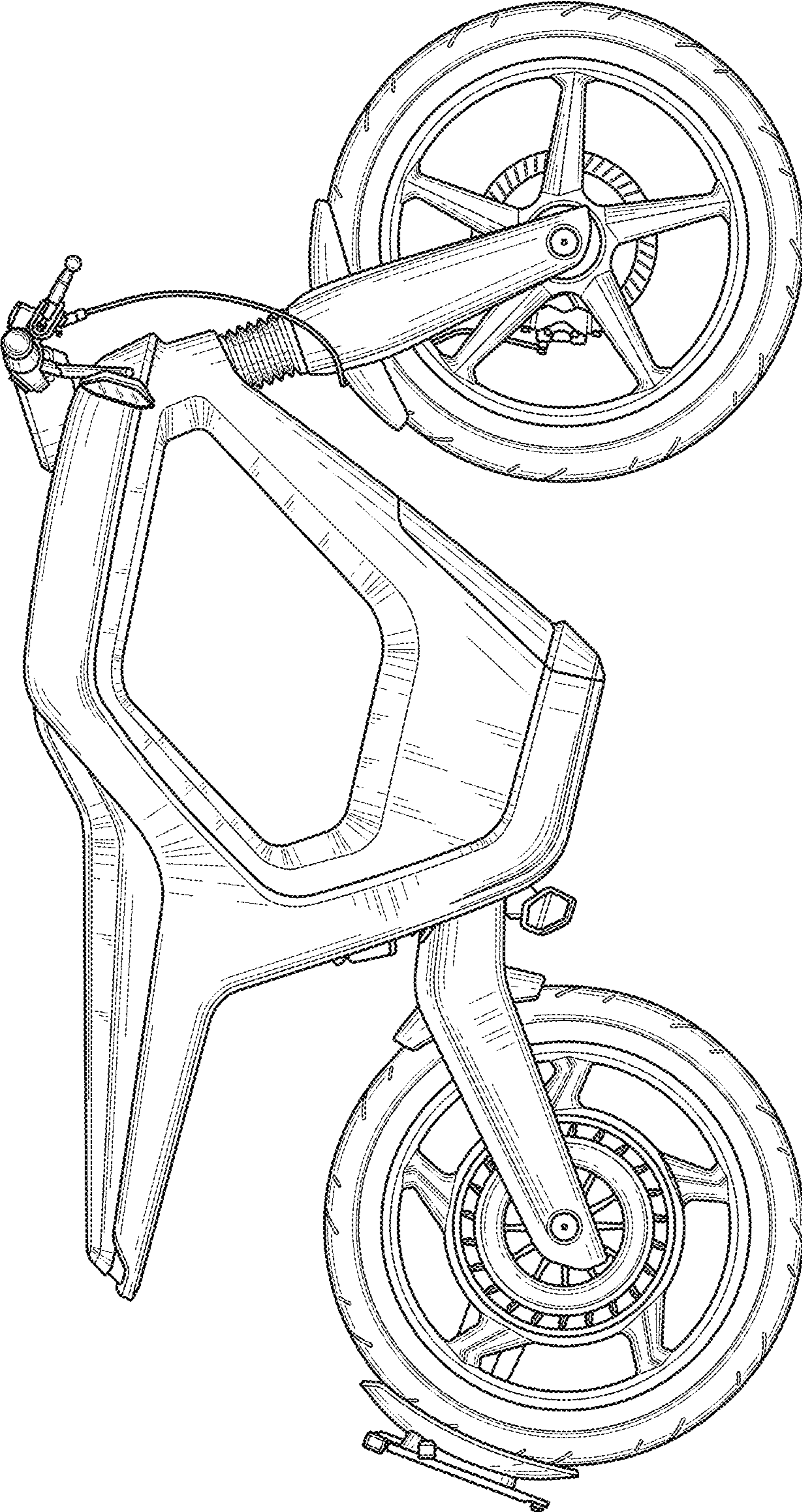


Fig. 2

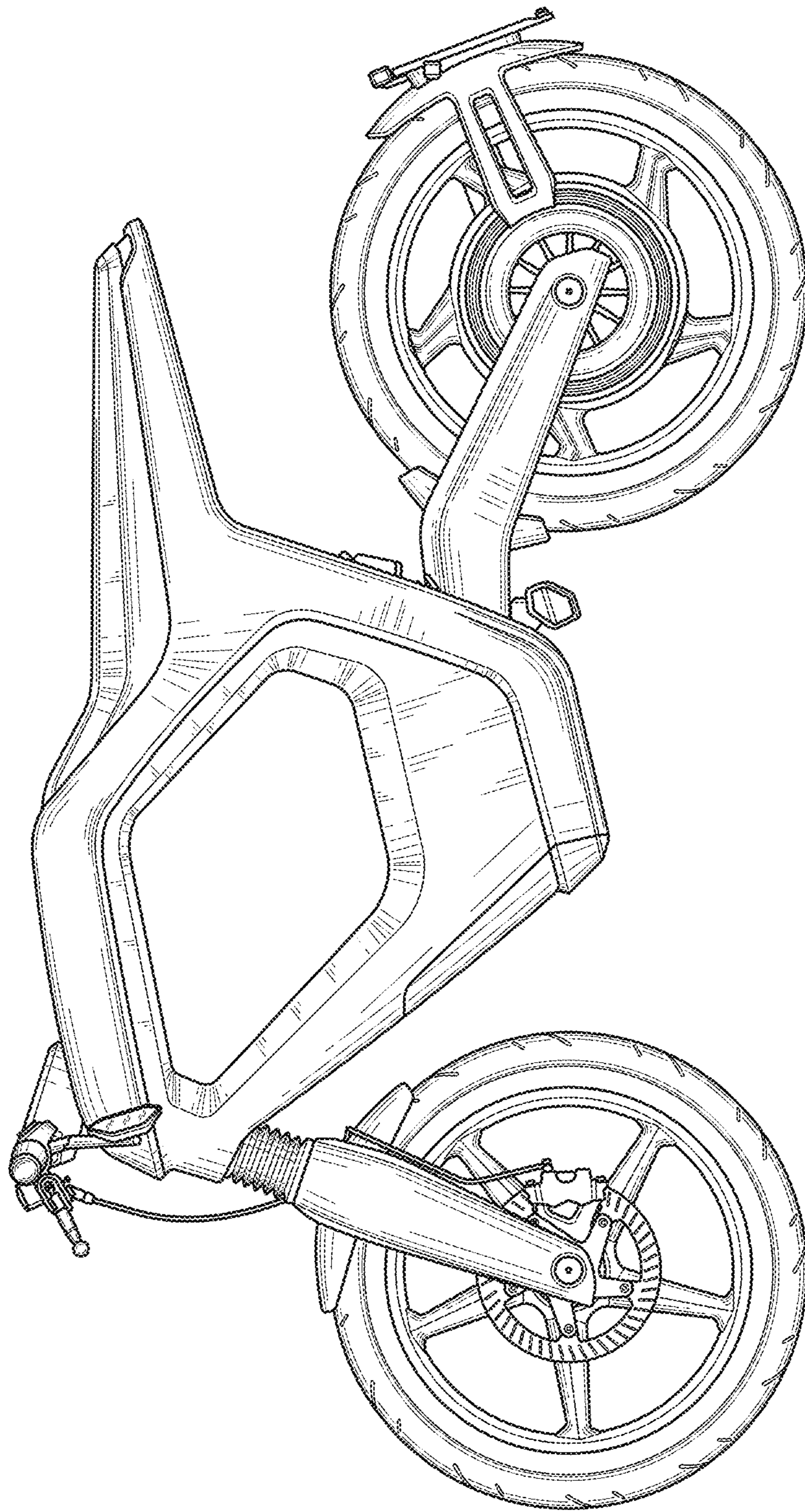


Fig. 3

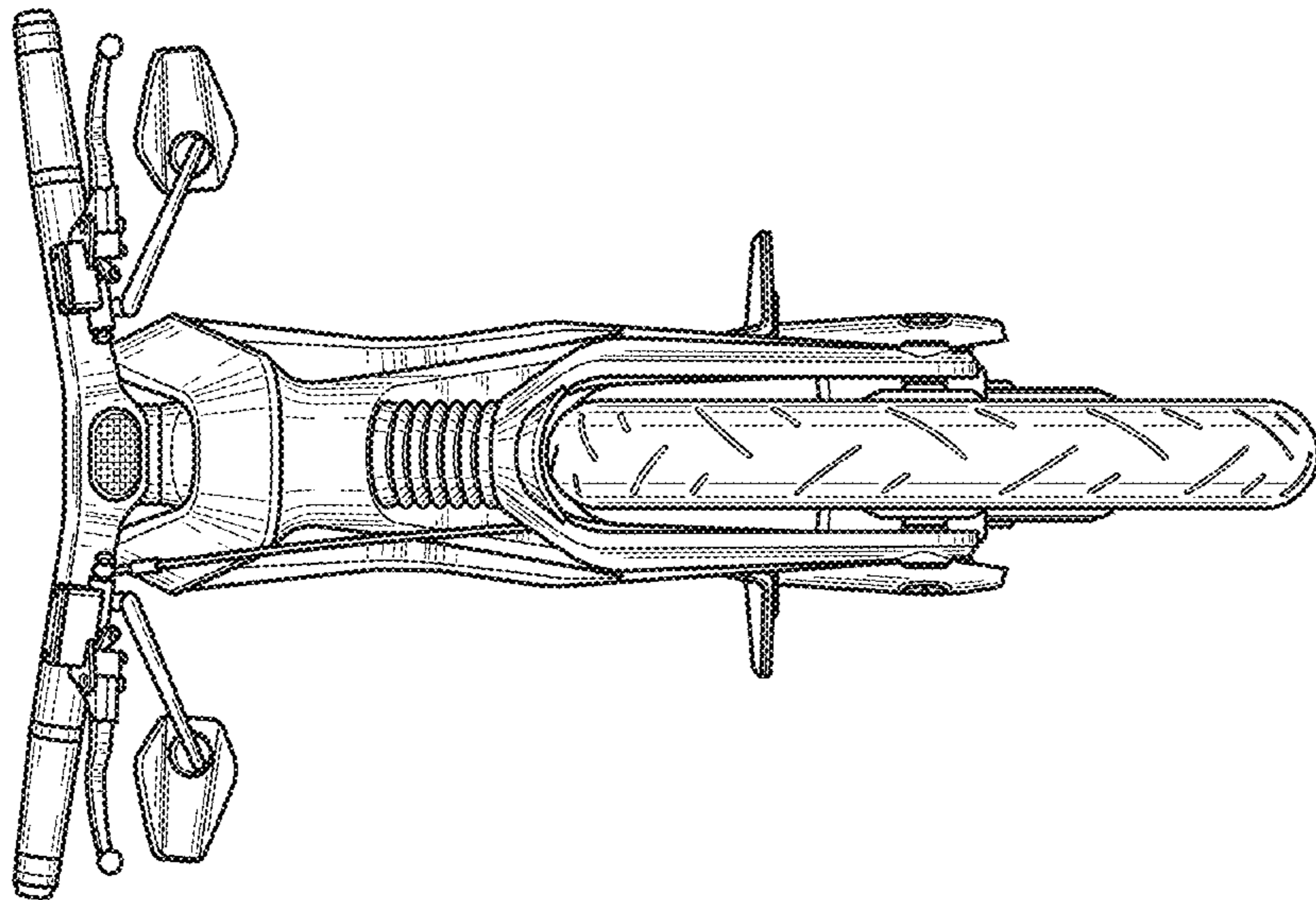


Fig. 4

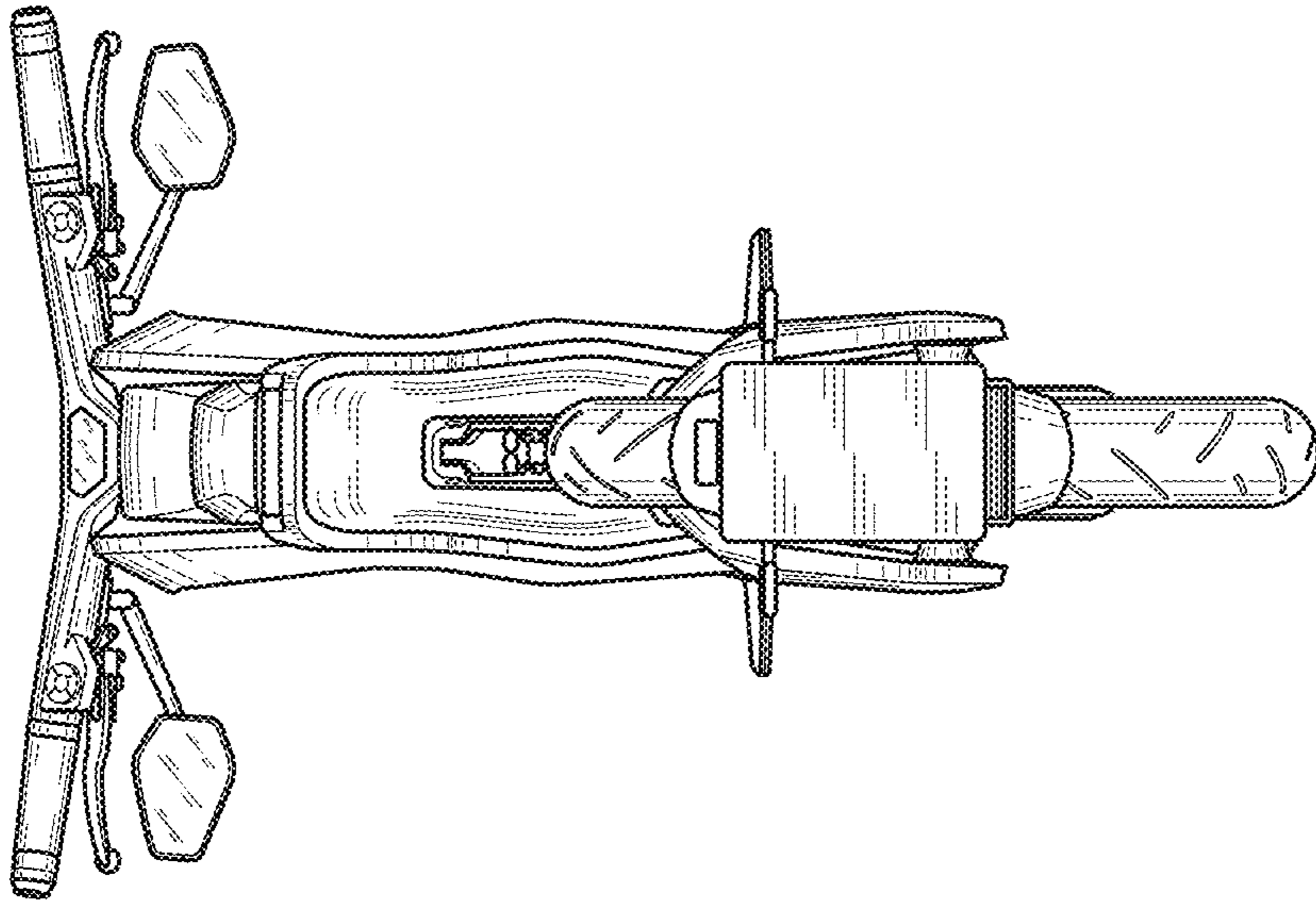


Fig. 5

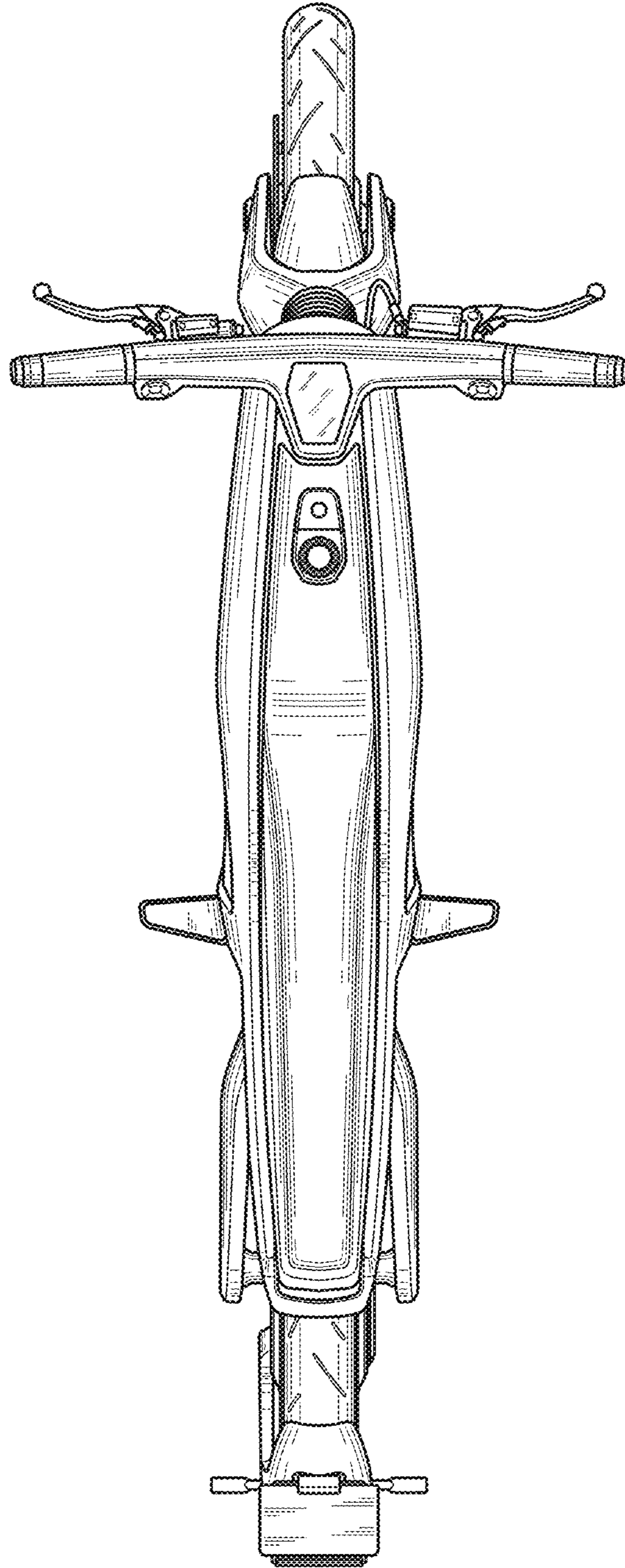


Fig. 6

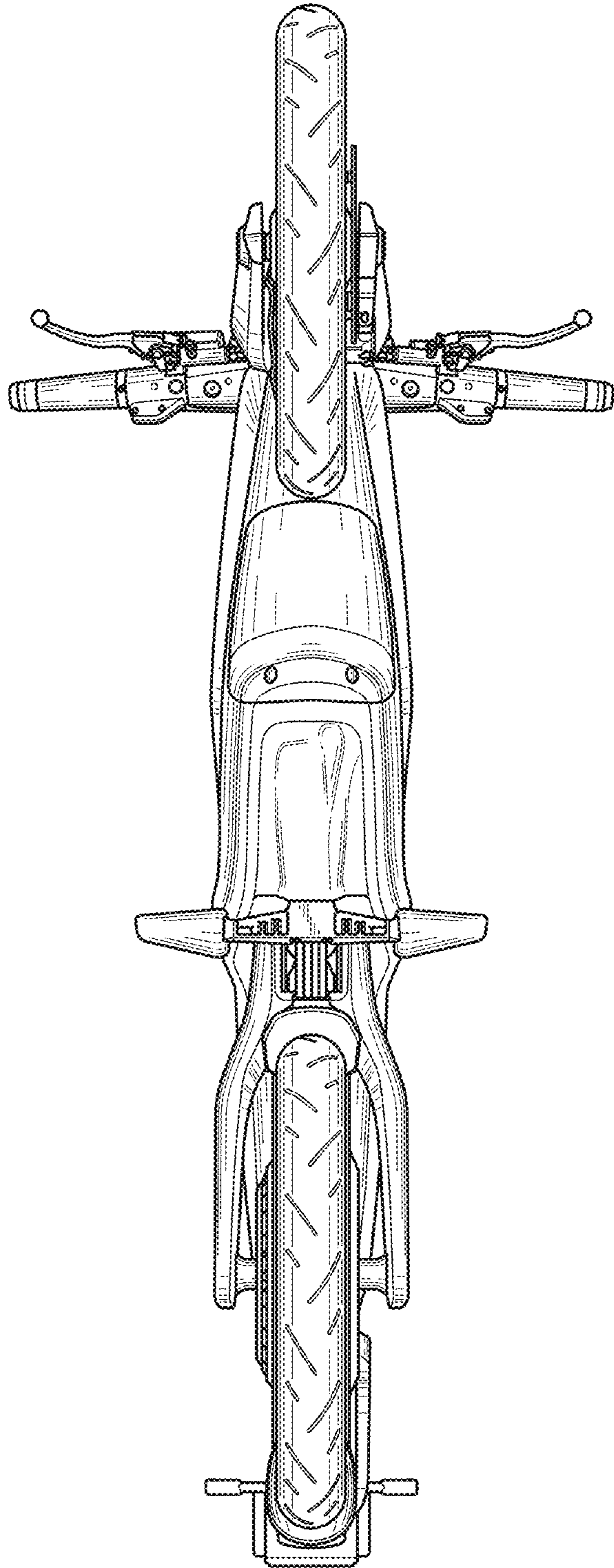


Fig. 7

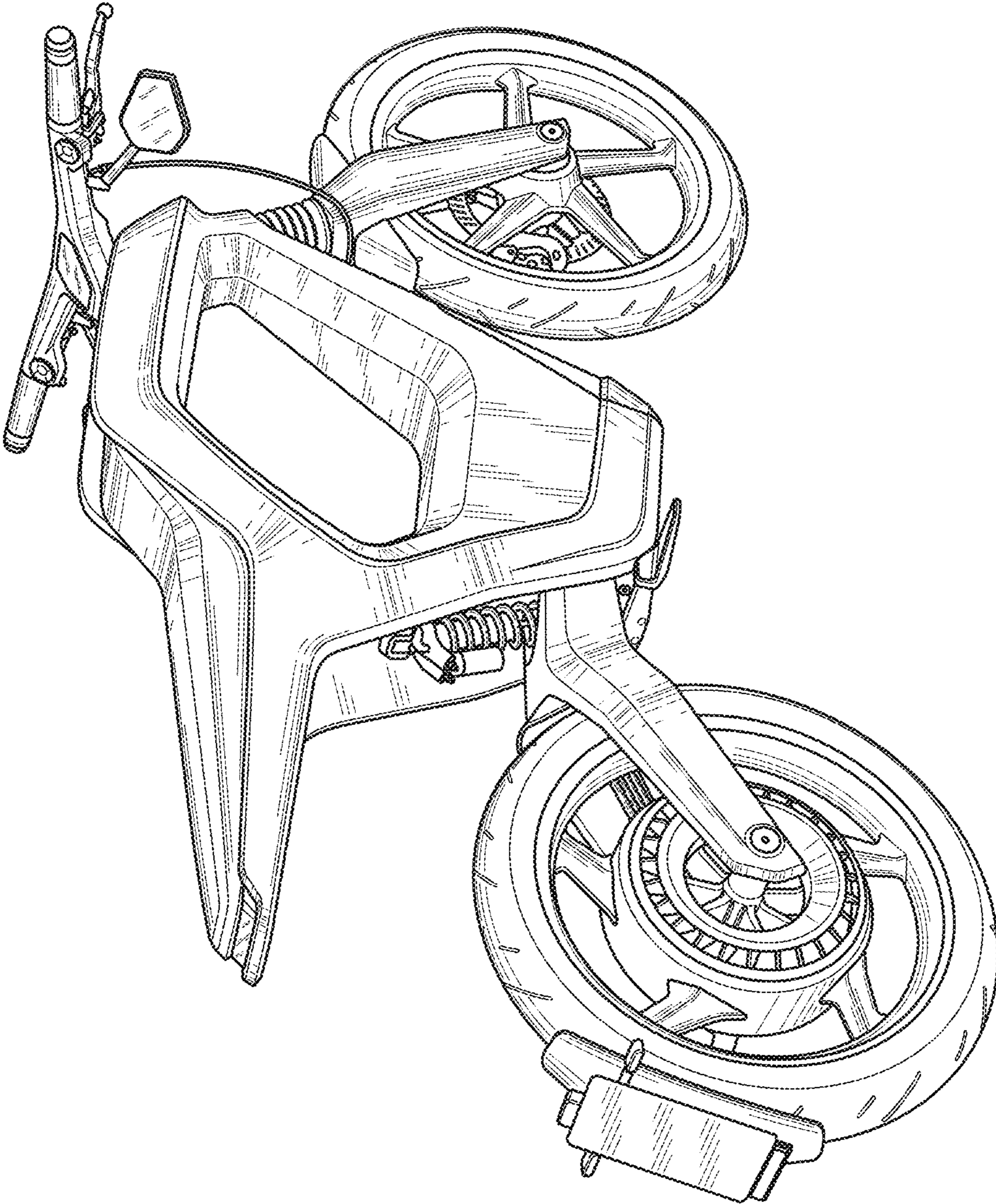


Fig. 8