



US00D964216S

(12) **United States Design Patent**
Long et al.

(10) **Patent No.:** **US D964,216 S**

(45) **Date of Patent:** **** Sep. 20, 2022**

(54) **ALL-TERRAIN VEHICLE**

(71) Applicant: **NINEBOT (BEIJING) TECH. CO., LTD**, Beijing (CN)

(72) Inventors: **Yongbo Long**, Beijing (CN); **Hao Xie**, Beijing (CN)

(73) Assignee: **NINEBOT (BEIJING) TECH. CO., LTD**, Beijing (CN)

(**) Term: **15 Years**

(21) Appl. No.: **29/811,435**

(22) Filed: **Oct. 14, 2021**

Related U.S. Application Data

(62) Division of application No. 35/509,531, filed on Mar. 24, 2020 (U.S. filing date under 35 U.S.C. 384), and having an international filing date of Mar. 24, 2020, now Pat. No. Des. 936,524.

(30) **Foreign Application Priority Data**

Sep. 24, 2019 (CN) 201930533434.1

(51) **LOC (13) Cl.** **12-11**

(52) **U.S. Cl.**
USPC **D12/107**

(58) **Field of Classification Search**
USPC D12/3, 86, 87, 107, 110
CPC B60K 5/12; B60K 13/04; B60K 17/354
See application file for complete search history.

(56) **References Cited**

U.S. PATENT DOCUMENTS

D297,132 S * 8/1988 Ryuzoji D12/107
D298,811 S * 12/1988 Morita D12/107

D305,999 S * 2/1990 Ueda D12/107
D374,416 S * 10/1996 Miyamoto D12/107
D383,095 S * 9/1997 Miyamoto D12/107

(Continued)

FOREIGN PATENT DOCUMENTS

CN 301033637 10/2009
CN 302231262 S 12/2012

(Continued)

OTHER PUBLICATIONS

Notice of Restriction Requirement of the U.S. Appl. No. 35/509,531, dated May 24, 2021.

(Continued)

Primary Examiner — Darlington Ly

(74) *Attorney, Agent, or Firm* — Polson Intellectual Property Law, PC; Margaret Polson

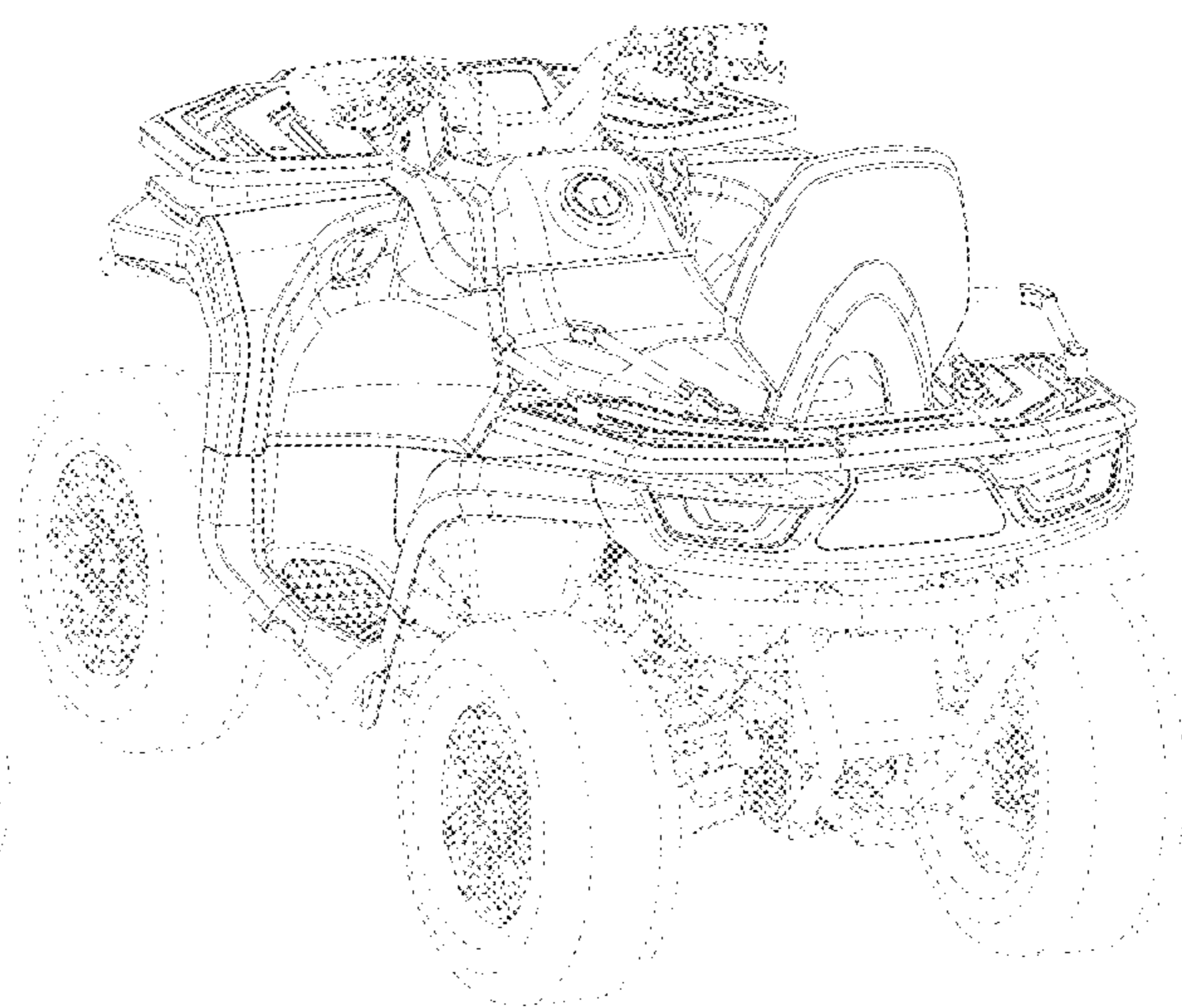
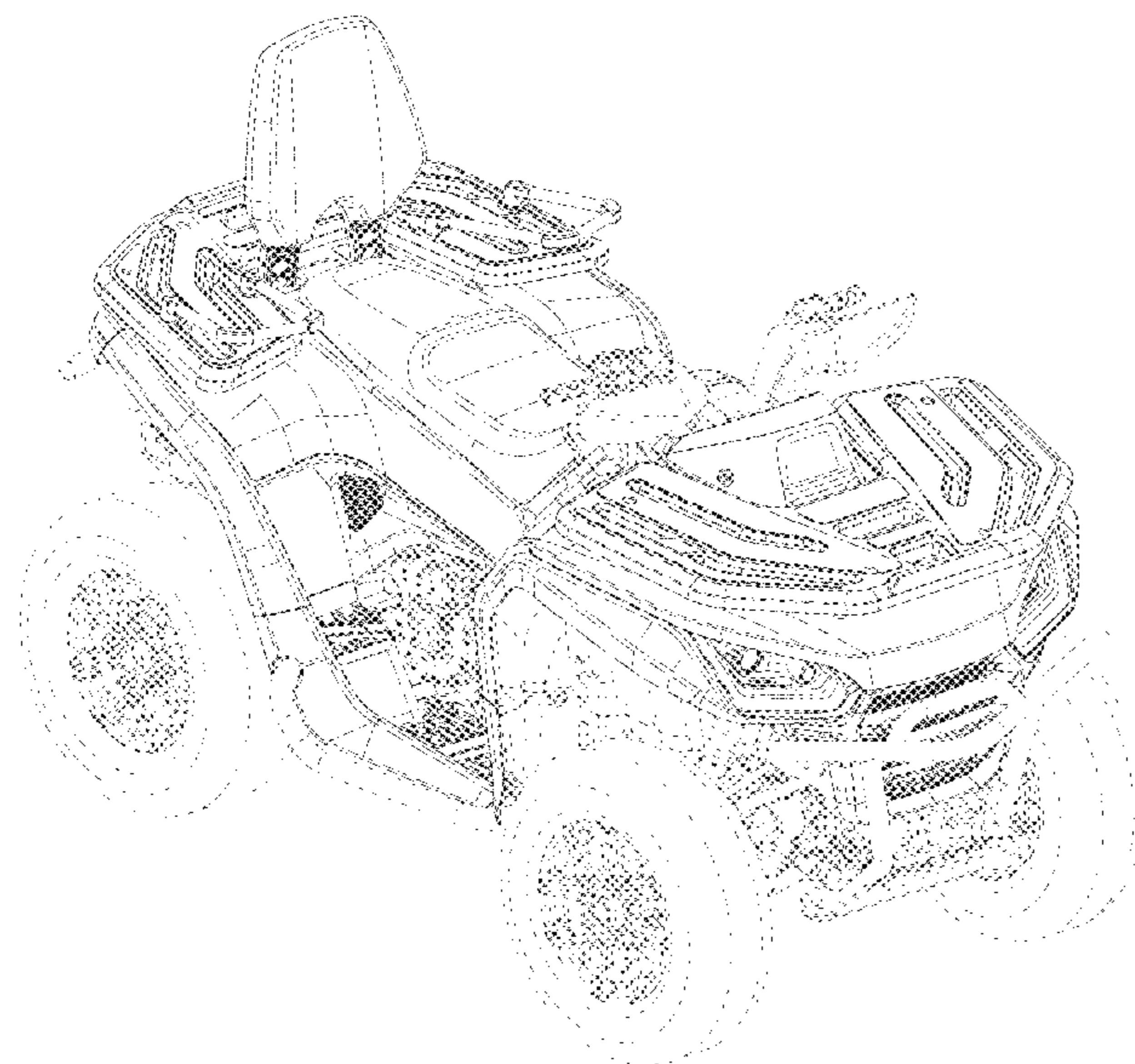
(57) **CLAIM**

The ornamental design for an all-terrain vehicle, as shown and described.

DESCRIPTION

FIG. 1 is a front elevation view of an all-terrain vehicle embodying our new design;
FIG. 2 is a rear elevation view thereof;
FIG. 3 is a right side elevation view thereof;
FIG. 4 is a left side elevation view thereof;
FIG. 5 is a top plan view thereof;
FIG. 6 is a top, front, and right side perspective view thereof;
FIG. 7 is a top, front, and left side perspective view thereof;
FIG. 8 is a top, rear, and left side perspective view thereof;
and,
FIG. 9 is a top, rear, and right side perspective view thereof.
The broken lines shown in the drawings illustrate portions of the four wheel motorcycle that form no part of the claimed design.

1 Claim, 9 Drawing Sheets



(56)

References Cited

U.S. PATENT DOCUMENTS

D405,029 S * 2/1999 Deutschman D12/107
 D421,935 S * 3/2000 Fujieda D12/107
 D428,363 S * 7/2000 Sugimoto D12/107
 D429,663 S * 8/2000 Tamashima D12/107
 D436,559 S * 1/2001 Fujieda D12/107
 D480,991 S * 10/2003 Rondeau D12/107
 D492,916 S * 7/2004 Rondeau D12/107
 D493,750 S * 8/2004 Crepeau D12/107
 D496,308 S * 9/2004 Wu D12/107
 D511,717 S * 11/2005 Lin D12/107
 D513,718 S * 1/2006 Itaya D12/107
 D516,467 S * 3/2006 Wu D12/107
 D517,951 S * 3/2006 Luh D12/107
 D517,952 S * 3/2006 Luh D12/107
 D518,759 S * 4/2006 Kettler D12/107
 D520,912 S * 5/2006 Knight D12/107
 D520,914 S * 5/2006 Luh D12/107
 D522,924 S * 6/2006 Yokoyama D12/107
 D523,782 S * 6/2006 Lin D12/107
 D529,414 S * 10/2006 Wu D12/107
 D531,088 S * 10/2006 Lin D12/107
 D532,339 S * 11/2006 Hishiki D12/107
 D539,705 S * 4/2007 Ichikawa D12/107
 D542,186 S * 5/2007 Lai D12/107
 D542,188 S * 5/2007 Miwa D12/107
 D561,064 S * 2/2008 Crepeau D12/107
 D584,661 S * 1/2009 Tanaka D12/107
 D585,792 S * 2/2009 Chao D12/107
 D592,556 S * 5/2009 Mehra D12/107
 D592,557 S * 5/2009 Mehra D12/107
 D595,188 S * 6/2009 Tandrup D12/107
 D596,080 S * 7/2009 Lai D12/107
 D597,890 S * 8/2009 Lai D12/107
 D599,250 S * 9/2009 Hirano D12/107
 D599,251 S * 9/2009 Yin D12/107
 D606,905 S * 12/2009 Yao D12/107
 D609,136 S * 2/2010 Renchuan D12/107
 D620,399 S * 7/2010 Wu D12/107

D628,520 S * 12/2010 Lin D12/107
 D638,755 S * 5/2011 Bracy D12/107
 D640,604 S * 6/2011 Lai D12/107
 D640,605 S * 6/2011 Lai D12/107
 D643,781 S * 8/2011 Nagao D12/107
 D657,720 S * 4/2012 Eck D12/107
 D657,721 S * 4/2012 Miyanishi D12/107
 D668,184 S * 10/2012 Tashiro D12/107
 D671,037 S * 11/2012 Wu D12/107
 D674,728 S * 1/2013 Matsumura D12/107
 D680,468 S * 4/2013 Li D12/107
 D680,469 S * 4/2013 Li D12/107
 D691,519 S * 10/2013 Fisher D12/107
 D694,671 S * 12/2013 Lai D12/107
 8,596,398 B2 * 12/2013 Bennett B60G 3/20
 180/90.6
 D721,300 S * 1/2015 Li D12/107
 D735,615 S * 8/2015 Itaya D12/107
 D751,467 S * 3/2016 Lai D12/107
 D761,698 S * 7/2016 Umemoto D12/87
 D774,955 S * 12/2016 Lai D12/107
 D774,957 S * 12/2016 Umemoto D12/107
 D827,500 S 9/2018 Lovold et al.
 2014/0262584 A1 * 9/2014 Lovold B60K 17/354
 180/246

FOREIGN PATENT DOCUMENTS

CN 303041346 S 12/2014
 CN 303142869 S 3/2015
 CN 304179813 S 6/2017
 CN 304253193 S 8/2017
 CN 305086477 S 3/2019
 JP D1124705 10/2001

OTHER PUBLICATIONS

U.S. Appl. No. 29/811,440, filed Oct. 14, 2021, applicant FNinebot (Beijing) Tech. Co. Ltd.

* cited by examiner

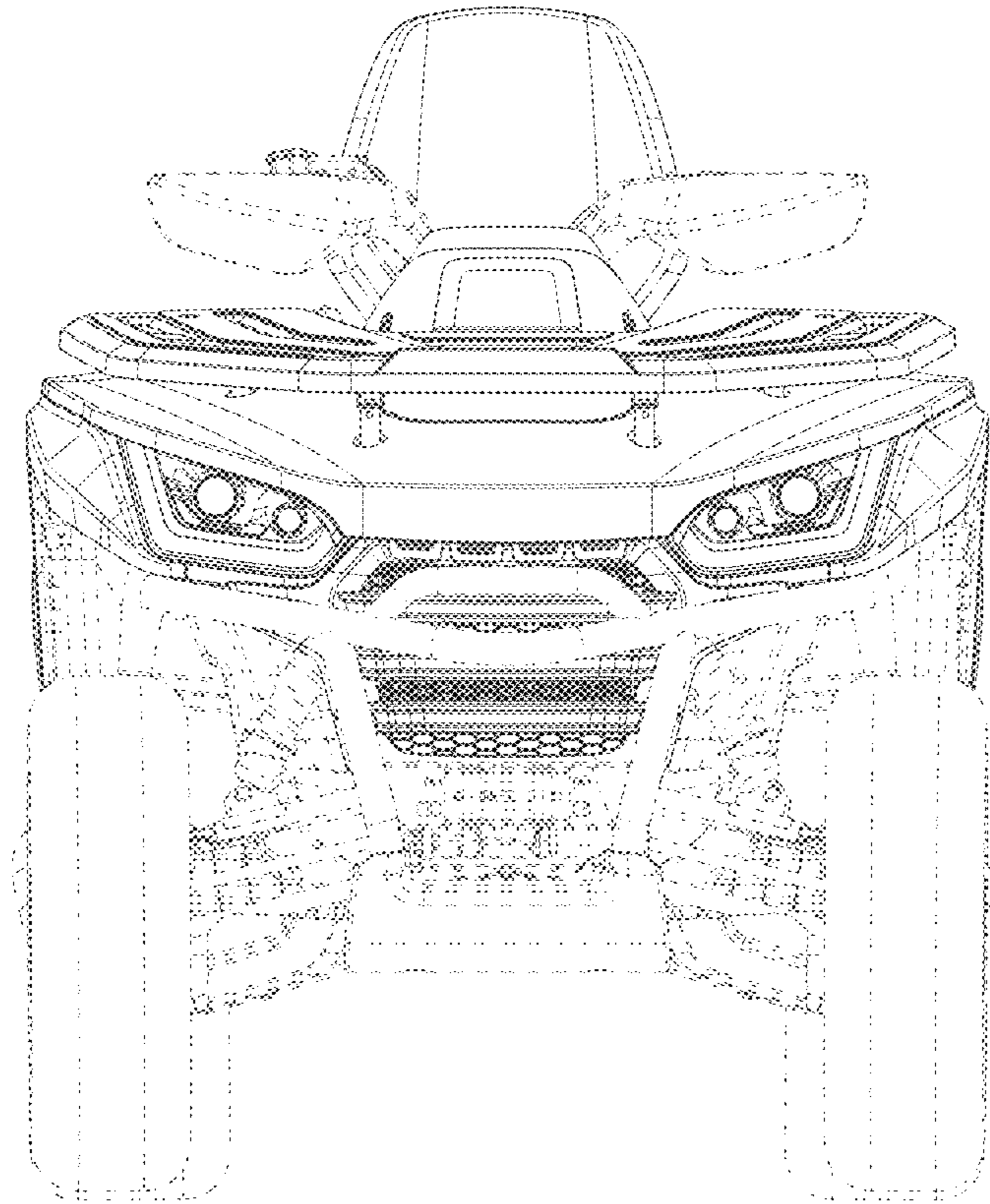


FIG. 1

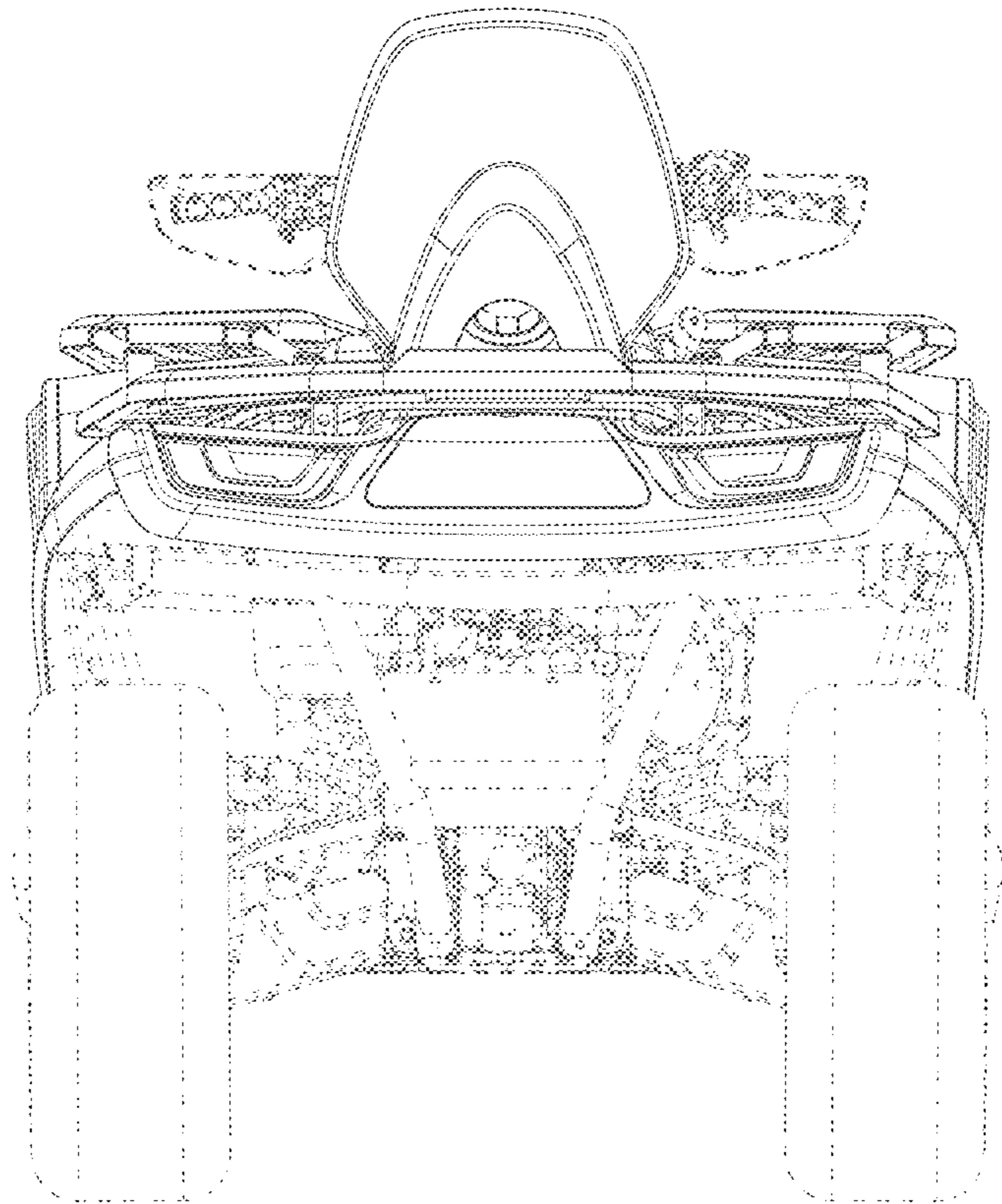


FIG. 2

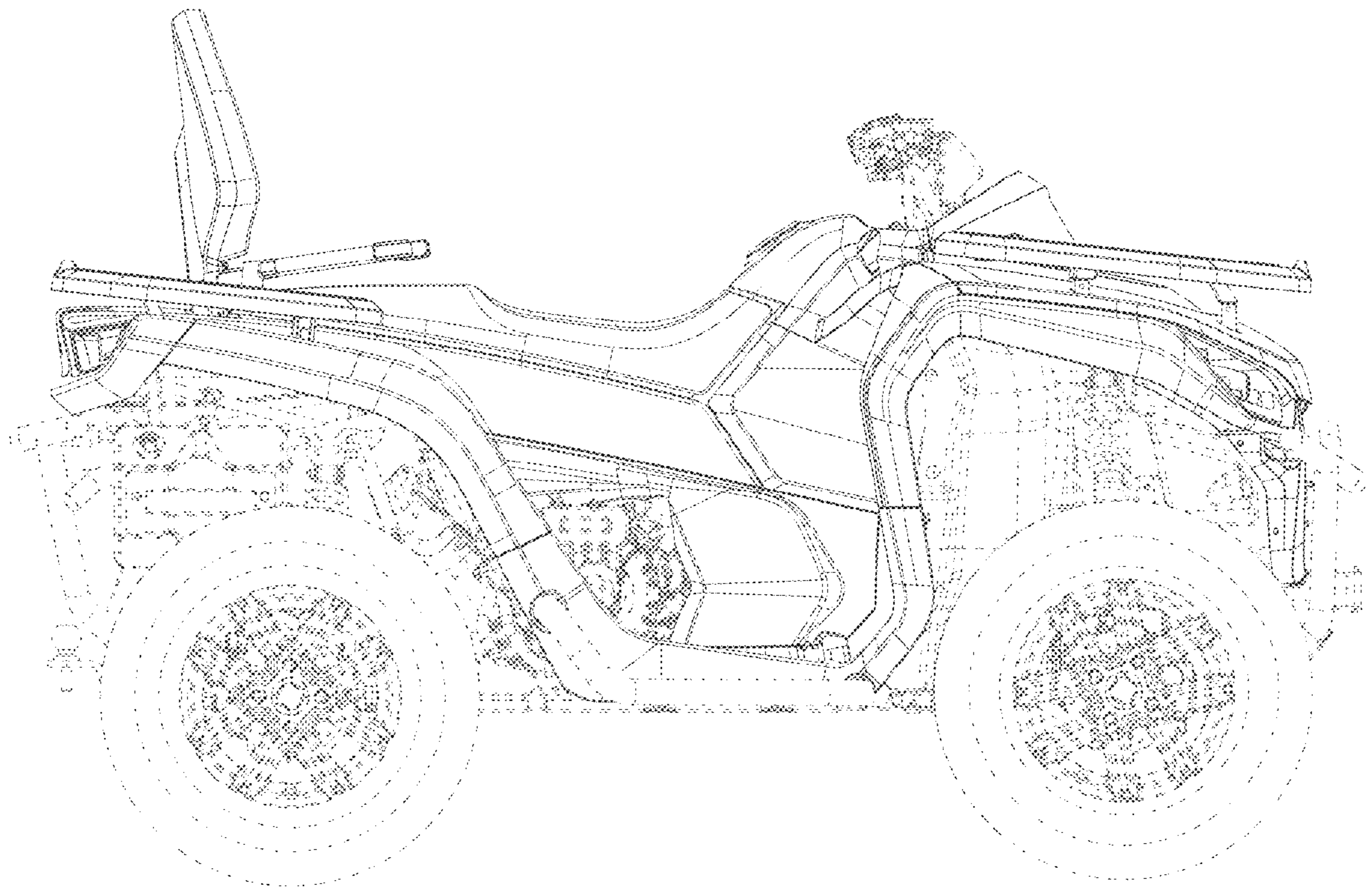


FIG. 3

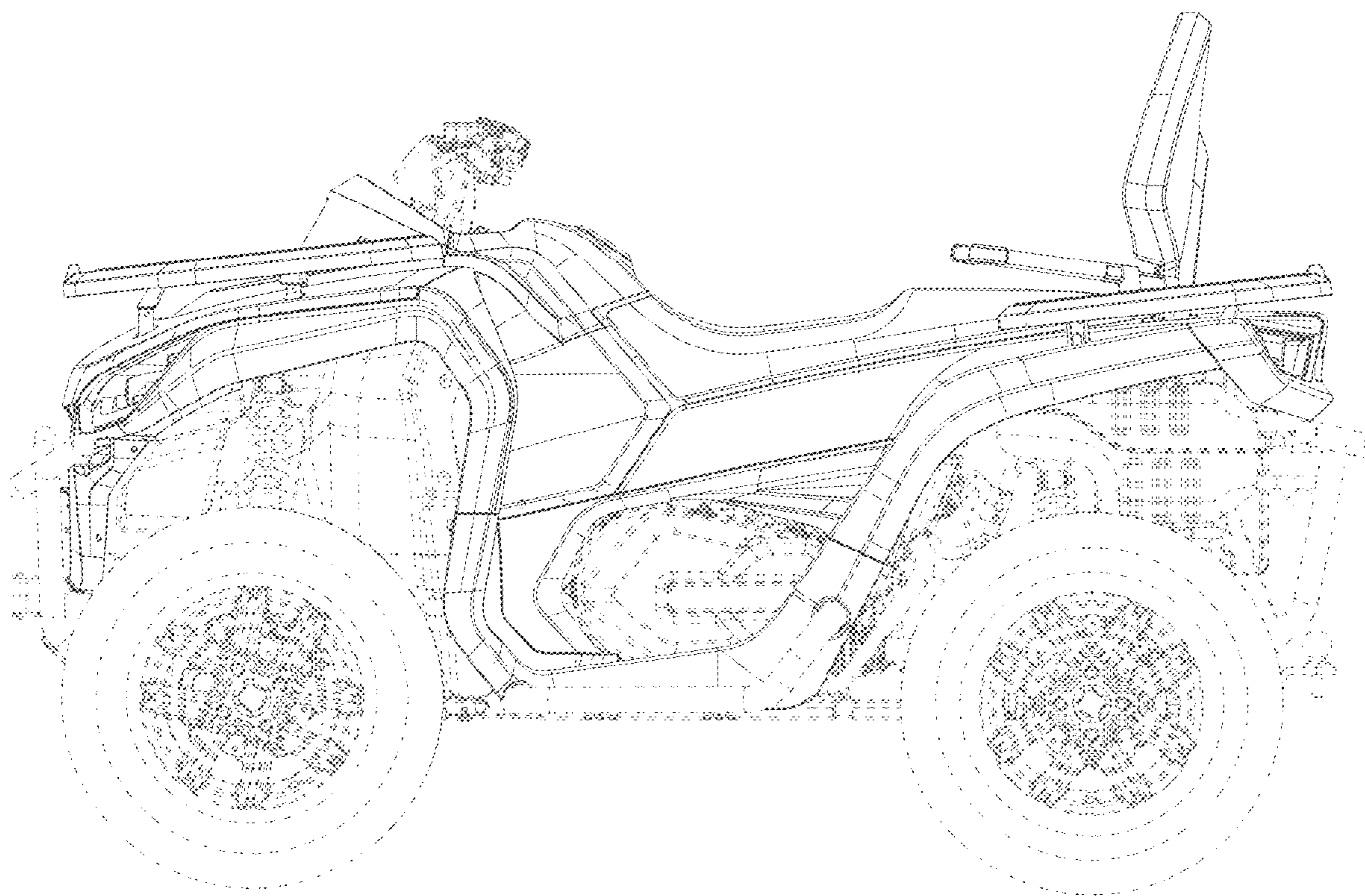


FIG. 4

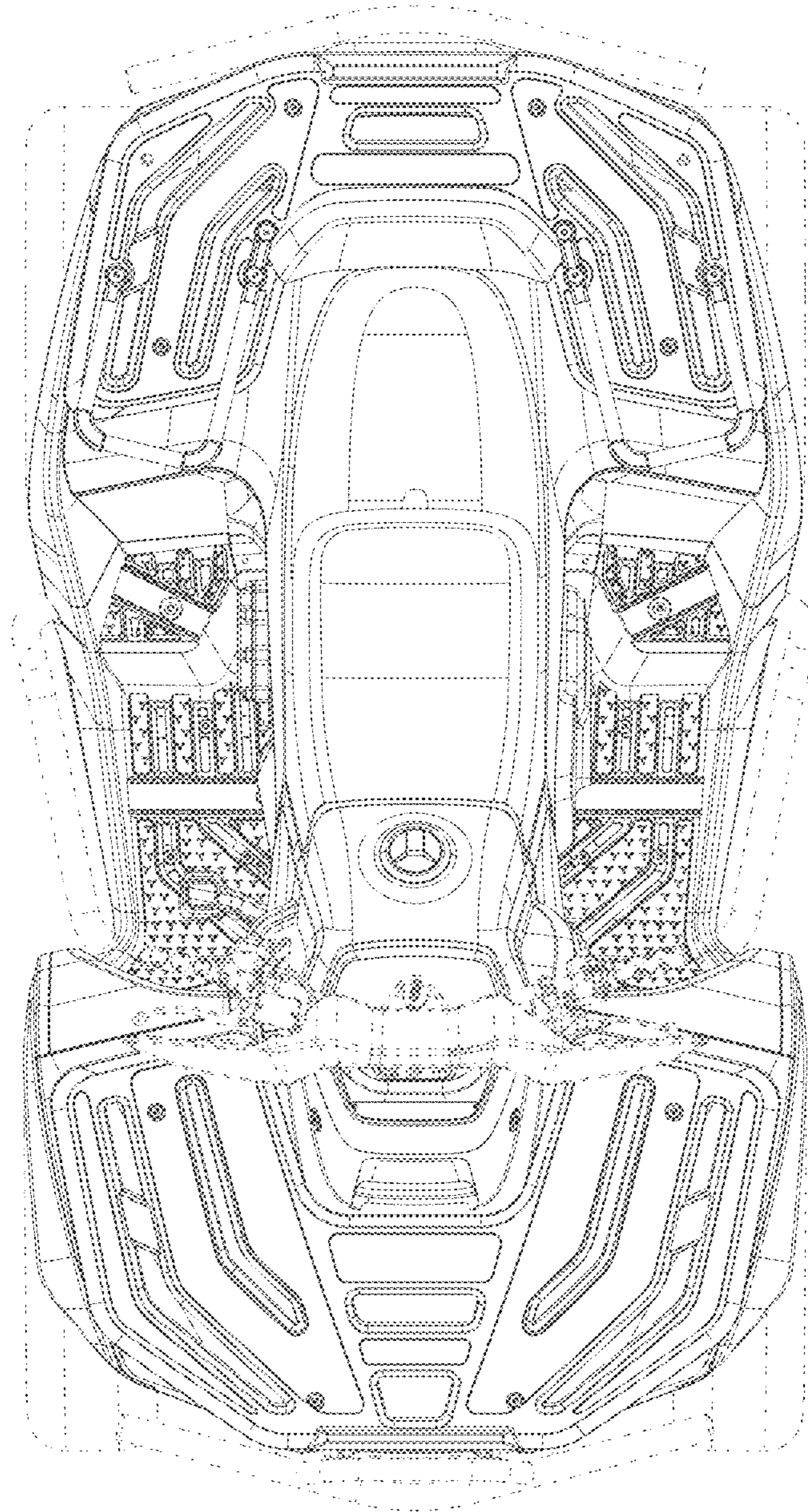


FIG. 5

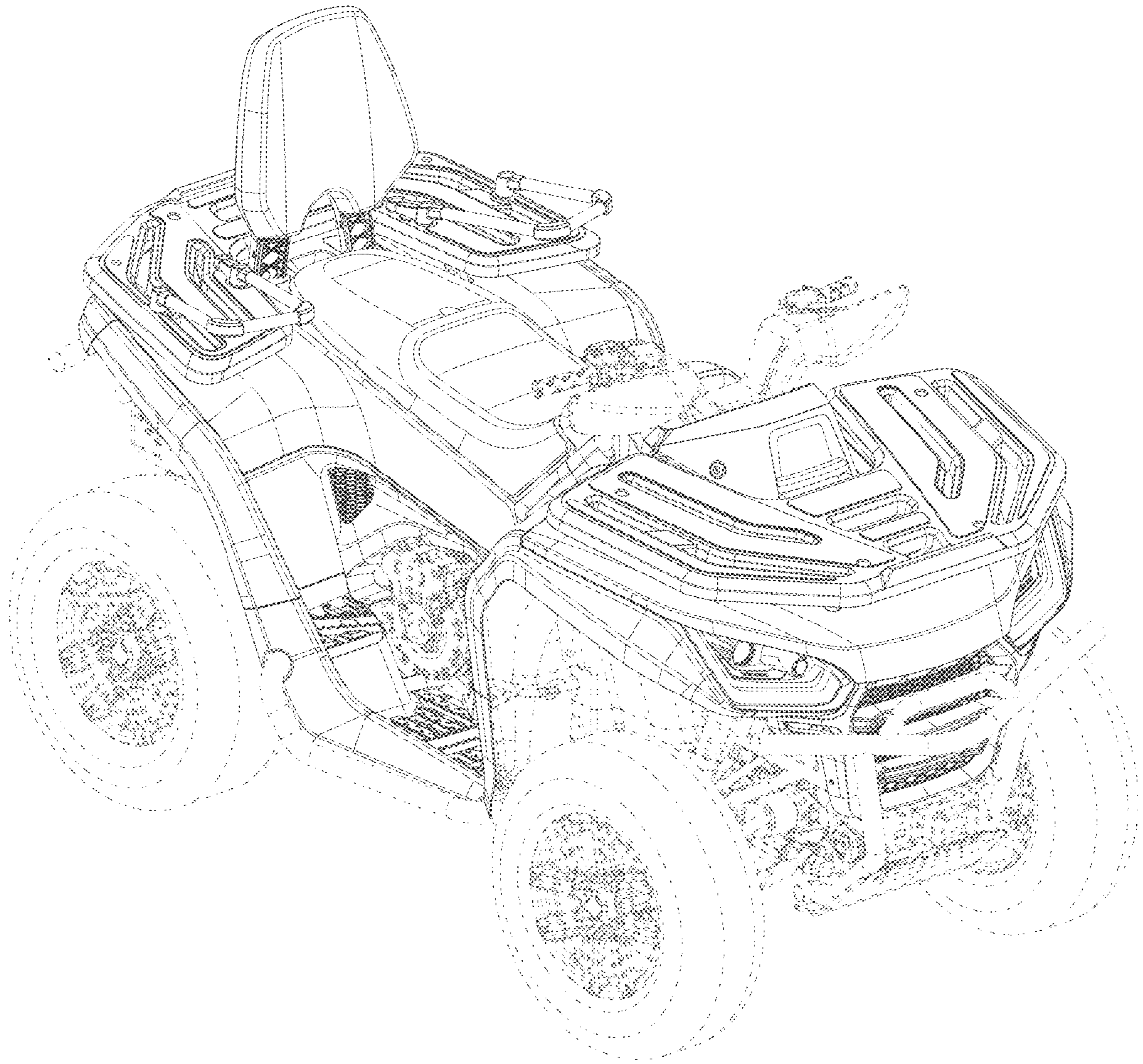


FIG. 6

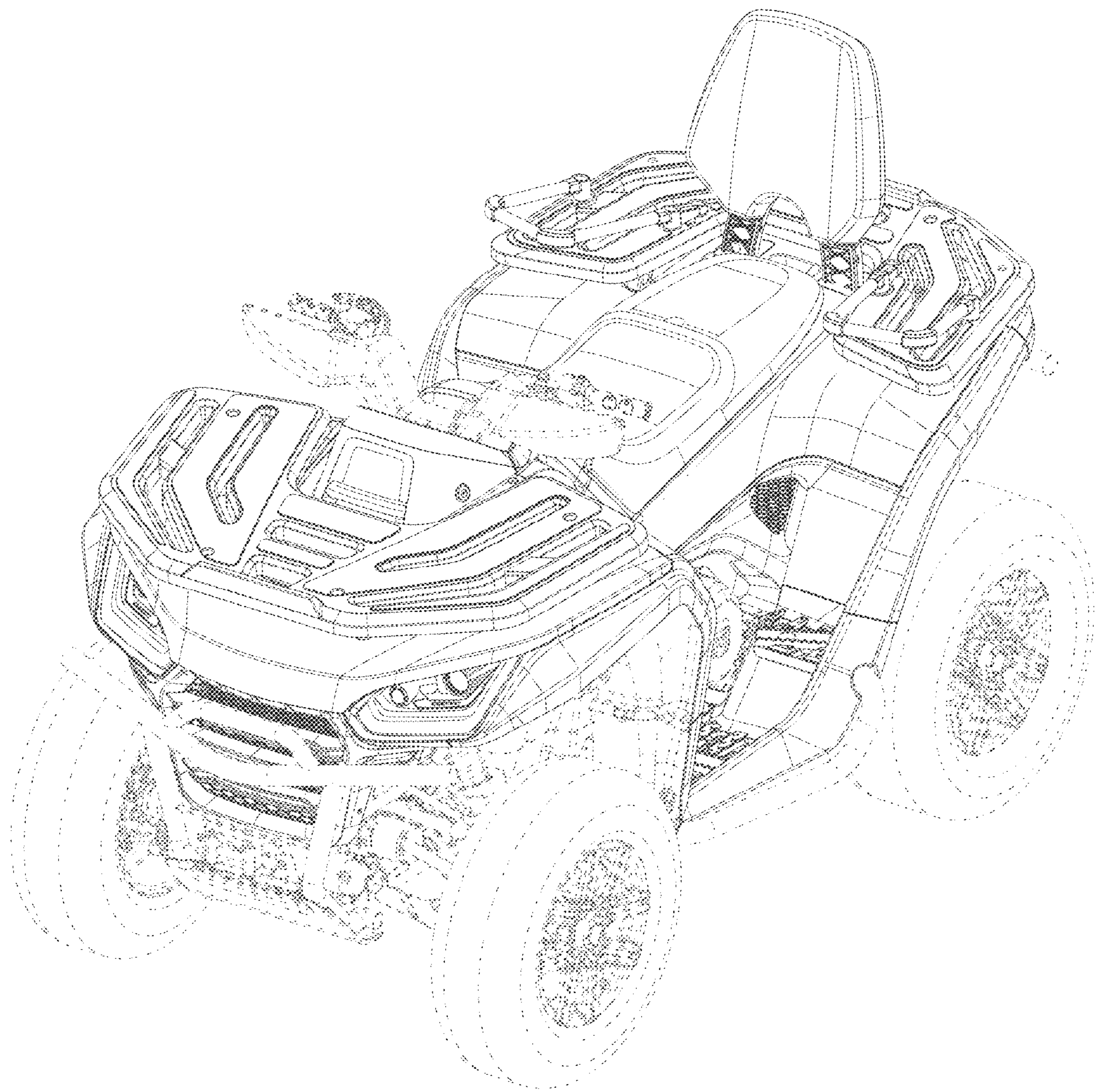


FIG. 7

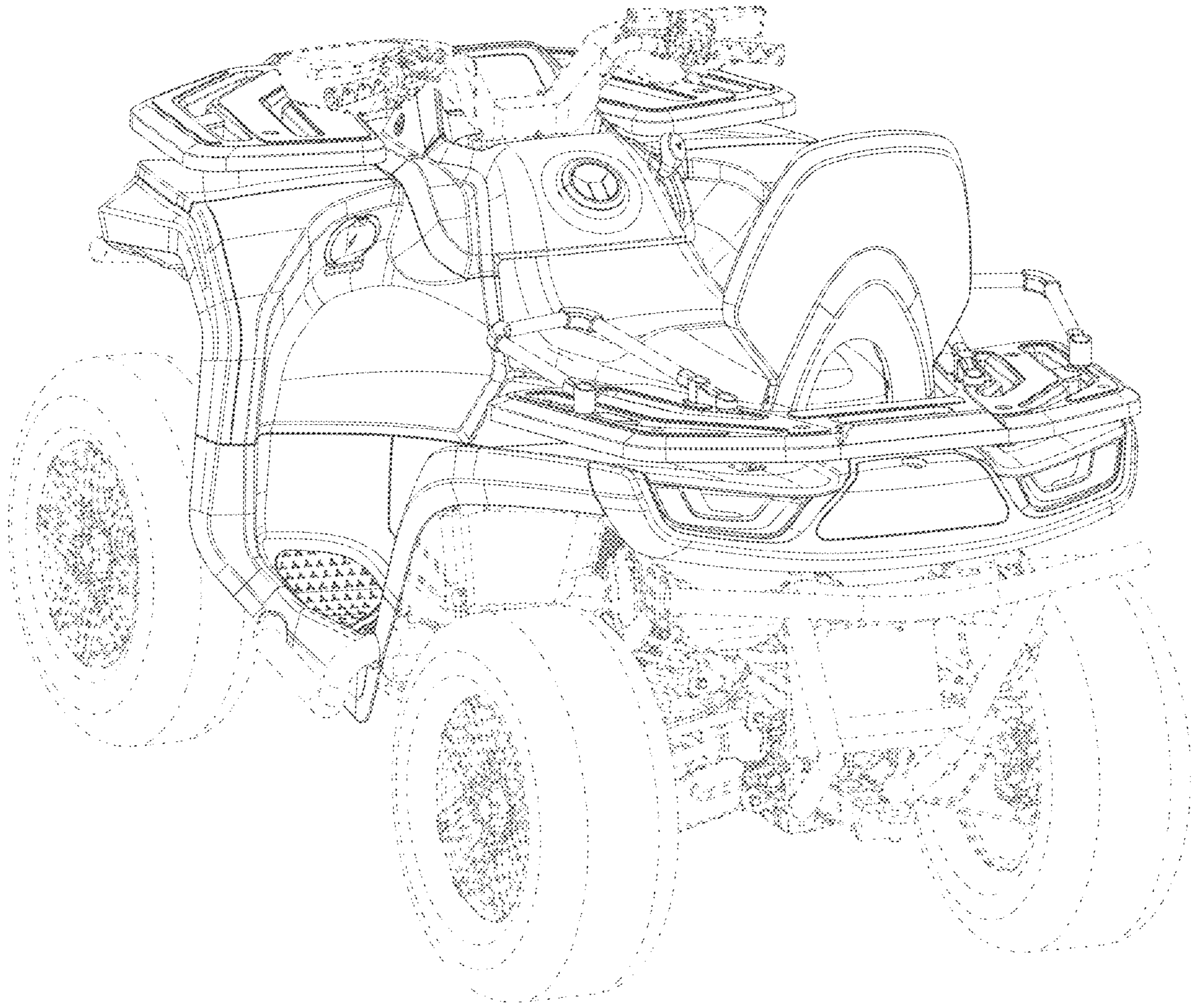


FIG. 8

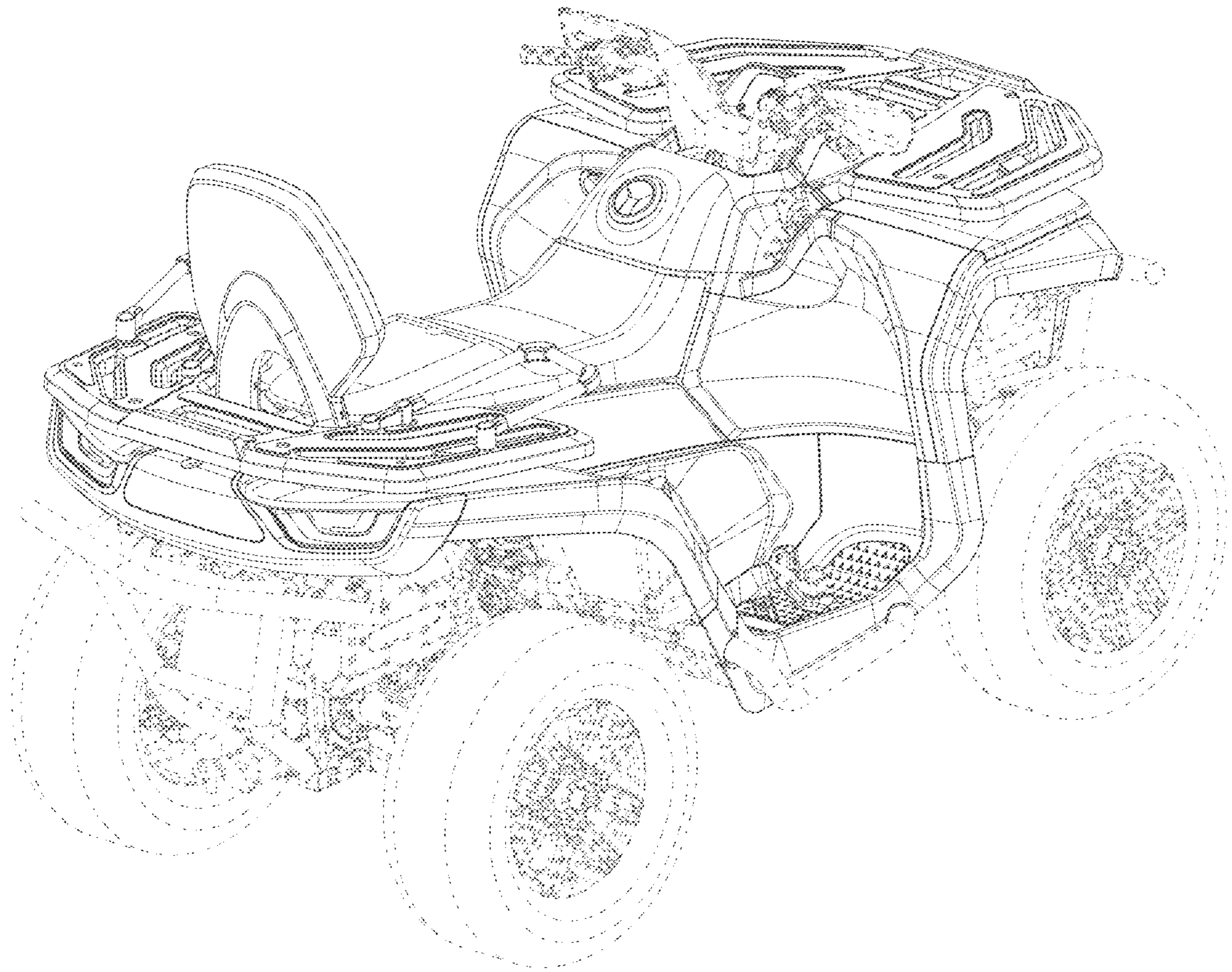


FIG. 9