



US00D964212S

(12) **United States Design Patent** (10) **Patent No.:** **US D964,212 S**
Torone (45) **Date of Patent:** **** Sep. 20, 2022**

(54) **MOTOR CAR**
(71) Applicant: **ARES DESIGN MODENA S.R.L.**,
Modena (IT)
(72) Inventor: **Arnaldo Torone**, Modena (IT)
(73) Assignee: **ARES DESIGN MODENA S.r.L.**,
Modena (IT)
(**) Term: **15 Years**

D918,312 S * 5/2021 Manzoni D12/92
D922,244 S * 6/2021 Biancalana D12/86
D922,245 S * 6/2021 Biancalana D12/86
D927,358 S * 8/2021 Lai D12/92
D927,359 S * 8/2021 Manzoni D12/92
D928,663 S * 8/2021 Manzoni D12/92
D928,891 S * 8/2021 Manzoni D12/91
D942,315 S * 2/2022 Cattabriga D11/163
D942,316 S * 2/2022 Cattabriga D11/163
D942,323 S * 2/2022 Cattabriga D12/86
D942,324 S * 2/2022 Cattabriga D12/86
D942,325 S * 2/2022 Cattabriga D12/86
D942,326 S * 2/2022 Cattabriga D12/86
D944,685 S * 3/2022 Murray D12/88

(21) Appl. No.: **35/511,653**

(22) Filed: **Mar. 18, 2021**

(80) **Hague Agreement Data**

Int. Filing Date: **Mar. 18, 2021**
Int. Reg. No.: **DM/213341**
Int. Reg. Date: **Mar. 18, 2021**
Int. Reg. Pub. Date: **Apr. 2, 2021**

(30) **Foreign Application Priority Data**

Sep. 18, 2020 (IT) 402020000002770

(51) **LOC (13) Cl.** **12-08**

(52) **U.S. Cl.**
USPC **D12/90**

(58) **Field of Classification Search**
USPC D12/82, 86, 88, 90-92, 196; D21/424,
D21/433, 434, 533, 548-551
CPC B62D 25/00; B62D 25/06; B62D 33/00;
B62D 35/00; B62D 31/00; B62D 31/003;
B62D 47/00
See application file for complete search history.

(56) **References Cited**

U.S. PATENT DOCUMENTS

D823,724 S * 7/2018 Melville D12/92
D830,901 S * 10/2018 Manzoni D12/92
D913,159 S * 3/2021 Melville D12/92
D913,845 S * 3/2021 Cattabriga D12/86

OTHER PUBLICATIONS

RonsRides News, The Ares S Is A Corvette C8 Trnasformed Into A Supercar!, published via YouTube.com on Sep. 11, 2020. Retrieved from the internet on Mar. 25, 2022 <URL: <https://youtu.be/Ck7GG5bhjPs>> (Year: 2020).*

* cited by examiner

Primary Examiner — Joseph Kukella

(74) *Attorney, Agent, or Firm* — Thomas | Horstemeyer, LLP

(57) **CLAIM**

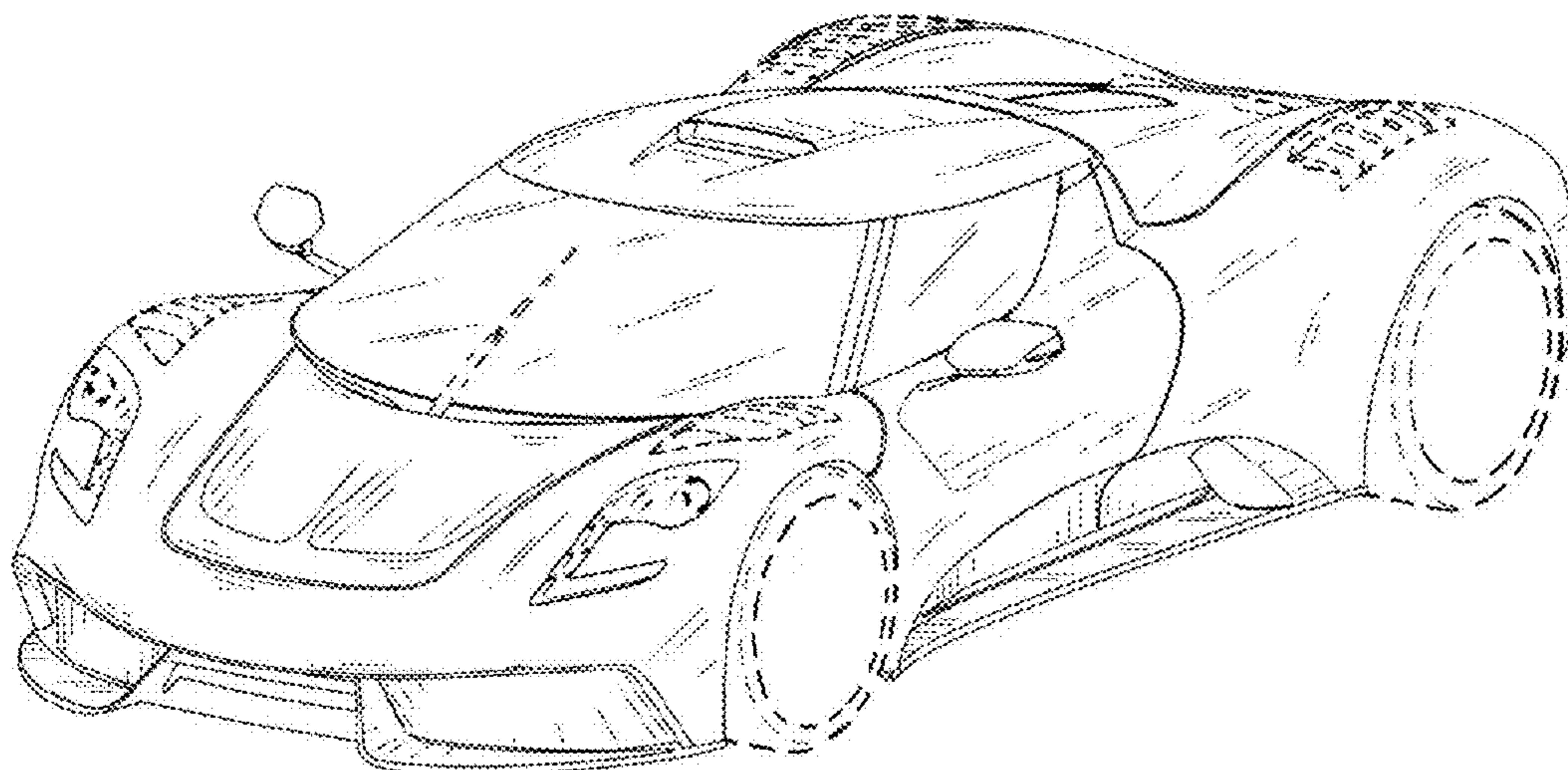
The ornamental design for a motor car, as shown and described.

DESCRIPTION

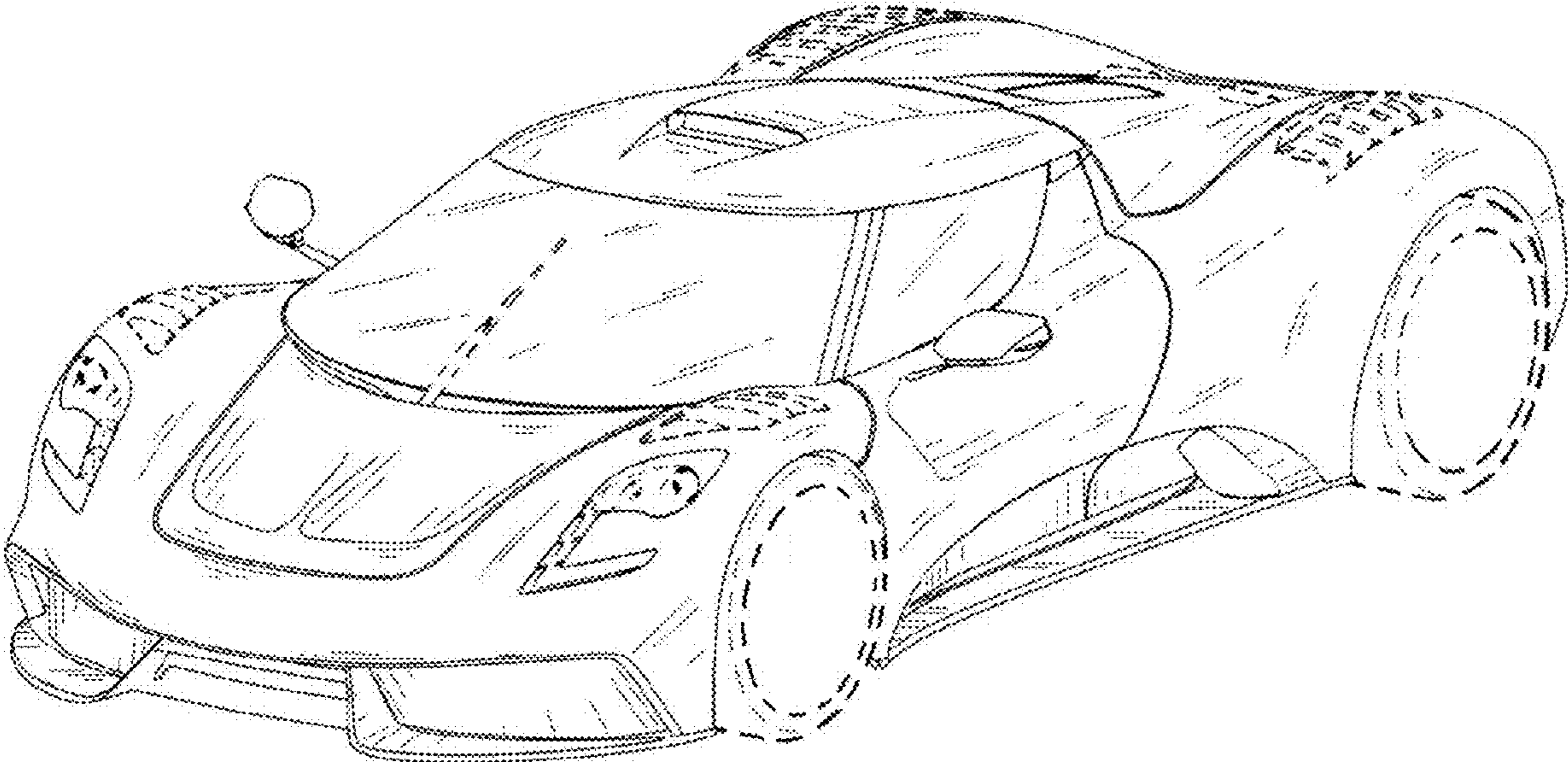
2.1 is a front perspective view of a motor car, showing my new design;
2.2 is a rear perspective view thereof;
2.3 is a left-side view thereof;
2.4 is a right-side view thereof;
2.5 is a front view thereof;
2.6 is rear view thereof; and
2.7 is a top view thereof.

The broken lines shown in the drawings of the motor car form no part of the claimed design.

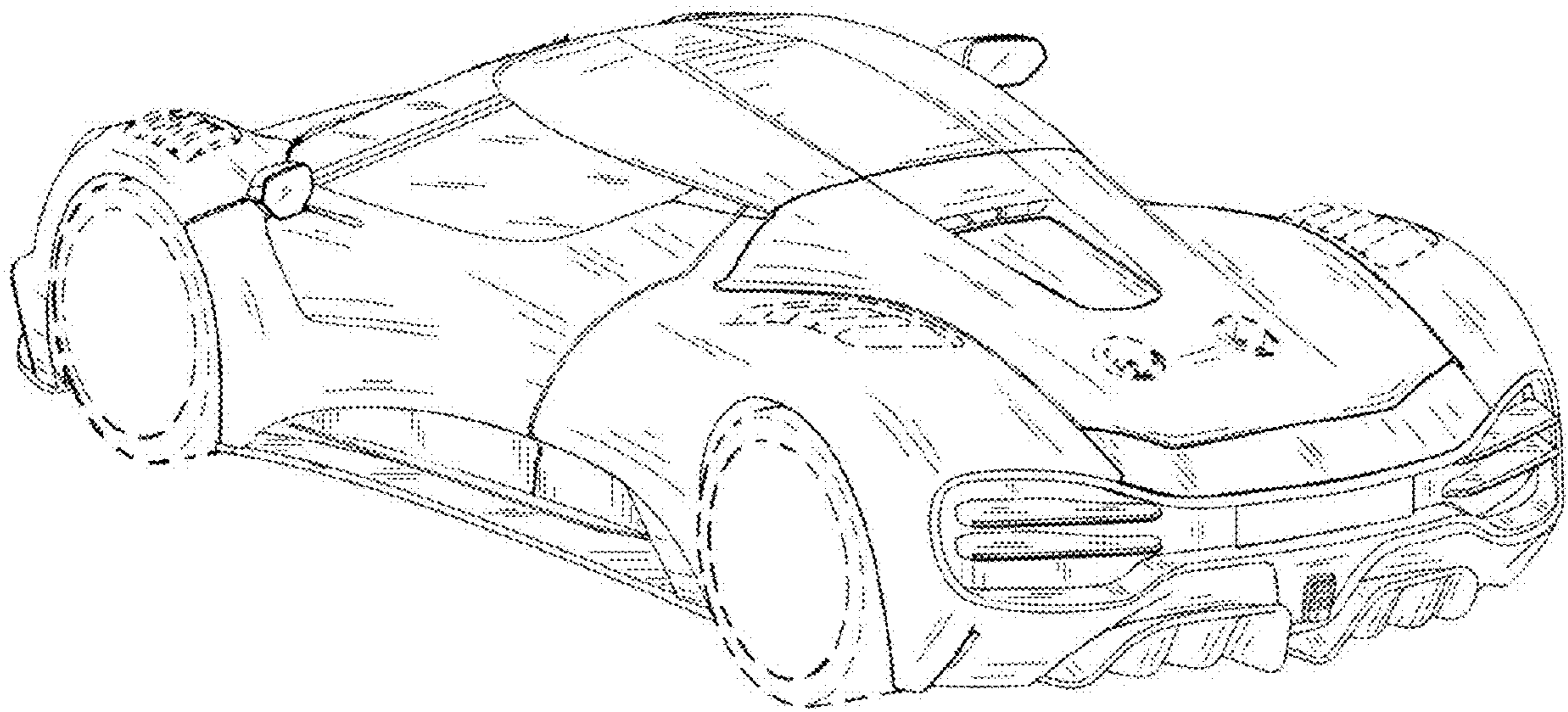
1 Claim, 7 Drawing Sheets



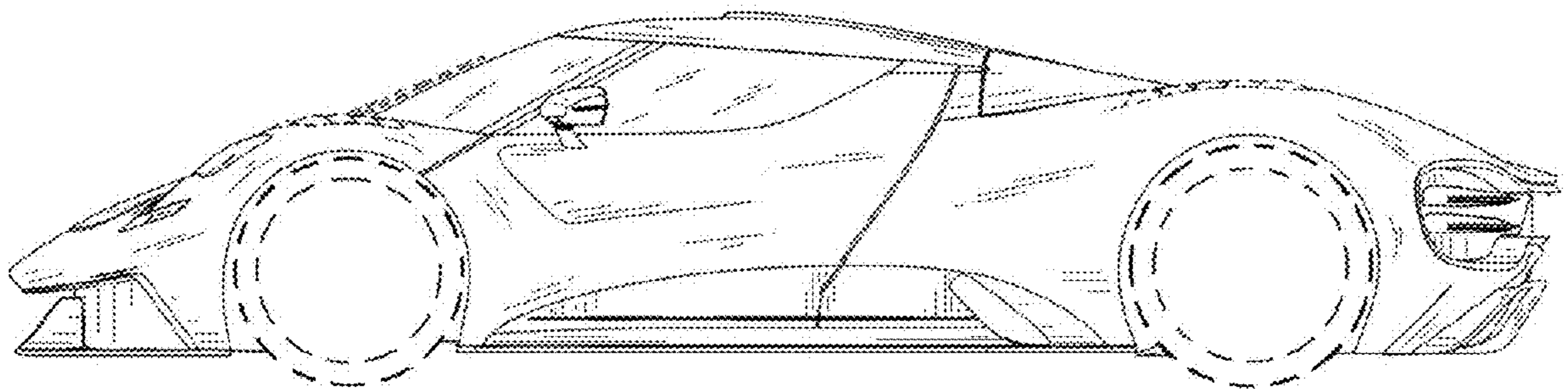
2.1



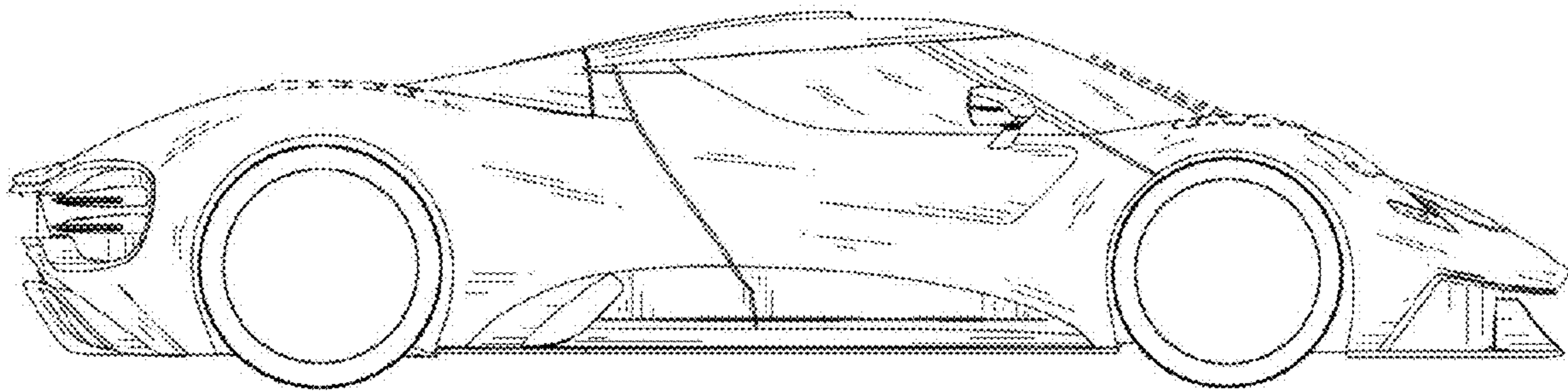
2.2



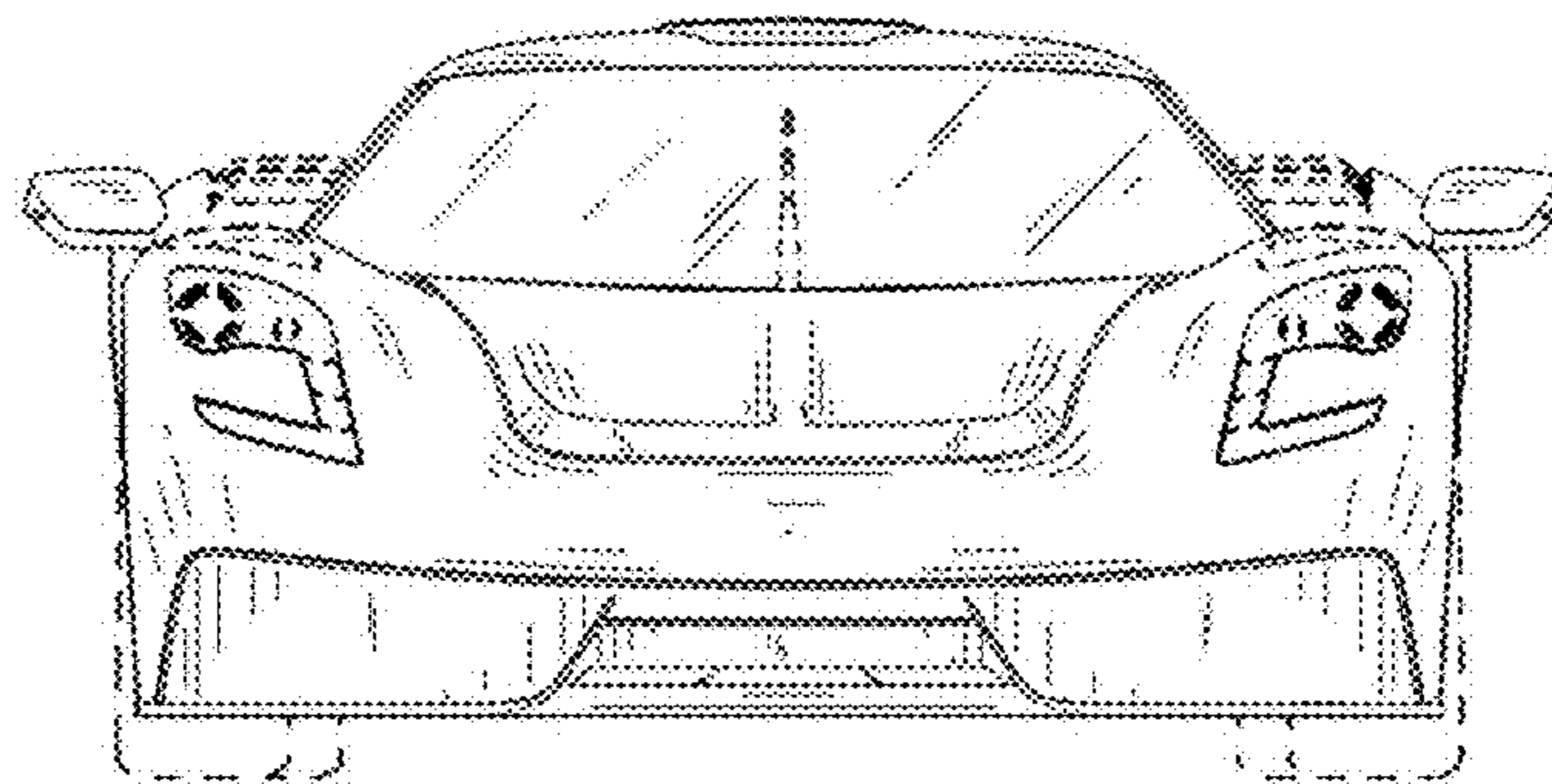
2.3



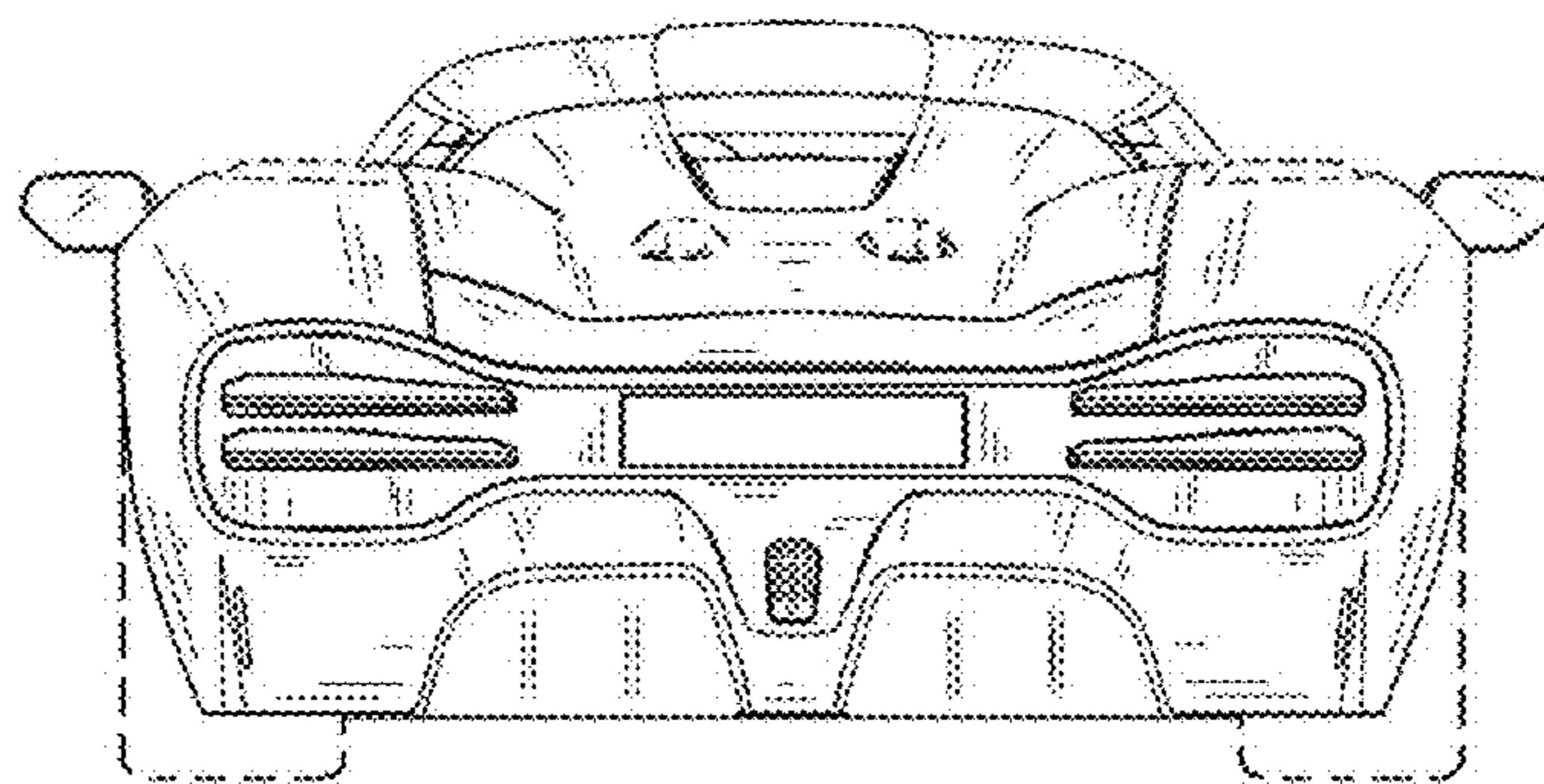
2.4



2.5



2.6



2.7

