

US00D964209S

(12) **United States Design Patent**  
**Ikard**

(10) **Patent No.:** **US D964,209 S**  
(45) **Date of Patent:** **\*\* Sep. 20, 2022**

(54) **HYDROPONIC SYSTEM**

**DESCRIPTION**

- (71) Applicant: **AQUASPROUTS INC.**, Austin, TX (US)
- (72) Inventor: **Jack M. Ikard**, Austin, TX (US)
- (73) Assignee: **AQUASPROUTS INC.**, Austin, TX (US)
- (\*\*) Term: **15 Years**
- (21) Appl. No.: **29/671,919**
- (22) Filed: **Nov. 30, 2018**
- (51) **LOC (13) Cl.** ..... **11-02**
- (52) **U.S. Cl.**  
USPC ..... **D11/155; D23/201**
- (58) **Field of Classification Search**  
USPC ..... **D23/202, 201; D11/145, 153, 155, 156; D6/403, 556**  
See application file for complete search history.

FIG. 1 is a perspective view of a first embodiment of a hydroponic system, taken from the front.  
 FIG. 2 is a front view of the first embodiment of the hydroponic system of FIG. 1.  
 FIG. 3 is a back view of the first embodiment of the hydroponic system of FIG. 1.  
 FIG. 4 is a left-side view of the first embodiment of the hydroponic system of FIG. 1.  
 FIG. 5 is a right-side view of the first embodiment of the hydroponic system of FIG. 1.  
 FIG. 6 is a top view of the first embodiment of the hydroponic system of FIG. 1.  
 FIG. 7 is a bottom view of the first embodiment of the hydroponic system of FIG. 1.  
 FIG. 8 is a perspective view of a second embodiment of a hydroponic system, taken from the front.  
 FIG. 9 is a front view of the second embodiment of the hydroponic system of FIG. 8.  
 FIG. 10 is a back view of the second embodiment of the hydroponic system of FIG. 8.  
 FIG. 11 is a left-side view of the second embodiment of the hydroponic system of FIG. 8.  
 FIG. 12 is a right-side view of the second embodiment of the hydroponic system of FIG. 8.  
 FIG. 13 is a top view of the second embodiment of the hydroponic system of FIG. 8.  
 FIG. 14 is a bottom view of the second embodiment of the hydroponic system of FIG. 8.  
 FIG. 15 is a perspective view of a third embodiment of a hydroponic system, taken from the front.  
 FIG. 16 is a front view of the third embodiment of the hydroponic system of FIG. 15.  
 FIG. 17 is a back view of the third embodiment of the hydroponic system of FIG. 15.  
 FIG. 18 is a left-side view of the third embodiment of the hydroponic system of FIG. 15.  
 FIG. 19 is a right-side view of the third embodiment of the hydroponic system of FIG. 15.  
 FIG. 20 is a top view of the third embodiment of the hydroponic system of FIG. 15; and,  
 FIG. 21 is a bottom view of the third embodiment of the hydroponic system of FIG. 15.

(56) **References Cited**

**U.S. PATENT DOCUMENTS**

- D171,199 S \* 12/1953 Edwards ..... D34/1
- 4,334,386 A \* 6/1982 Burcombe ..... A01G 31/02
- 47/62 E

(Continued)

**OTHER PUBLICATIONS**

Stoneworld.co.nz, Square Tiered Bowls, Jan. 2015, online product page, retrieved May 6, 2022 from <URL:https://web.archive.org/web/20150113230332/http://stoneworld.co.nz/shop/Water+Features+Fountains++Falls/Tiered++Stacked/Square+Tiered+Bowls.html#.YnV81HbMLmE> (Year: 2015).\*

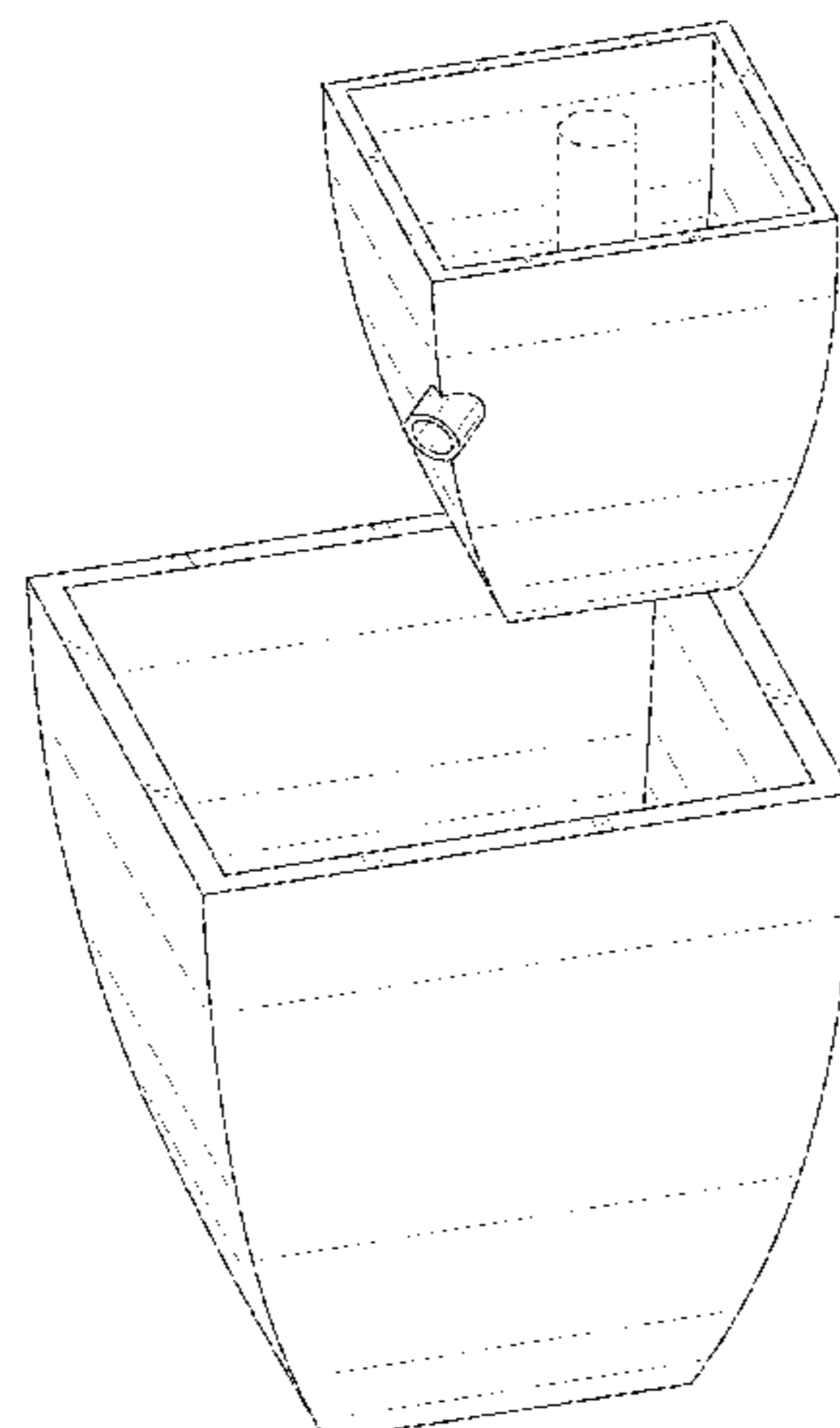
*Primary Examiner* — Calvin E Vansant

(74) *Attorney, Agent, or Firm* — Lee & Hayes, P.C.

(57) **CLAIM**

The ornamental design for a hydroponic system, as shown and described.

(Continued)



The dashed broken lines depict portions of the hydroponic system which form no part of the claimed design.

**1 Claim, 21 Drawing Sheets**

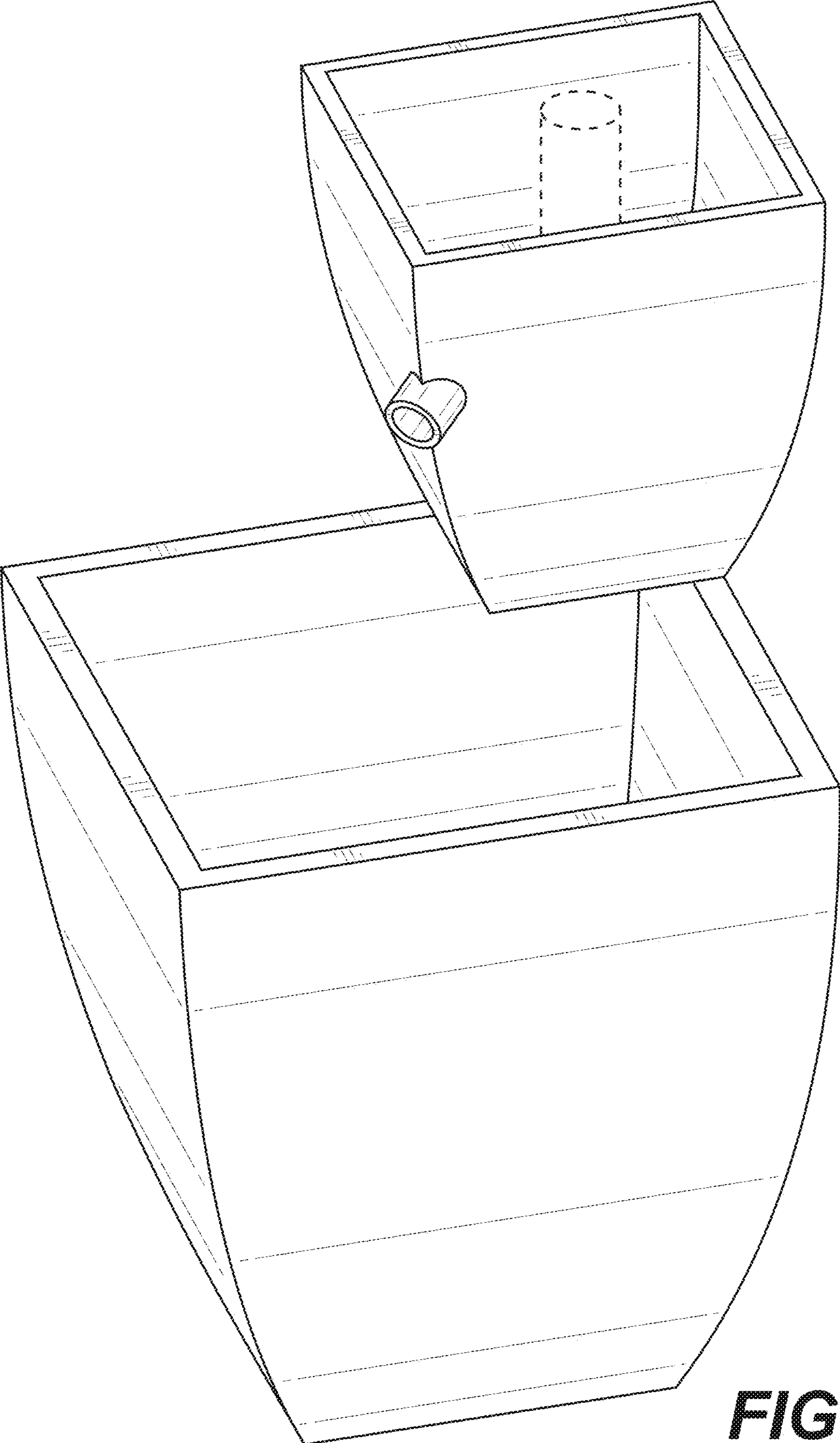
(56)

**References Cited**

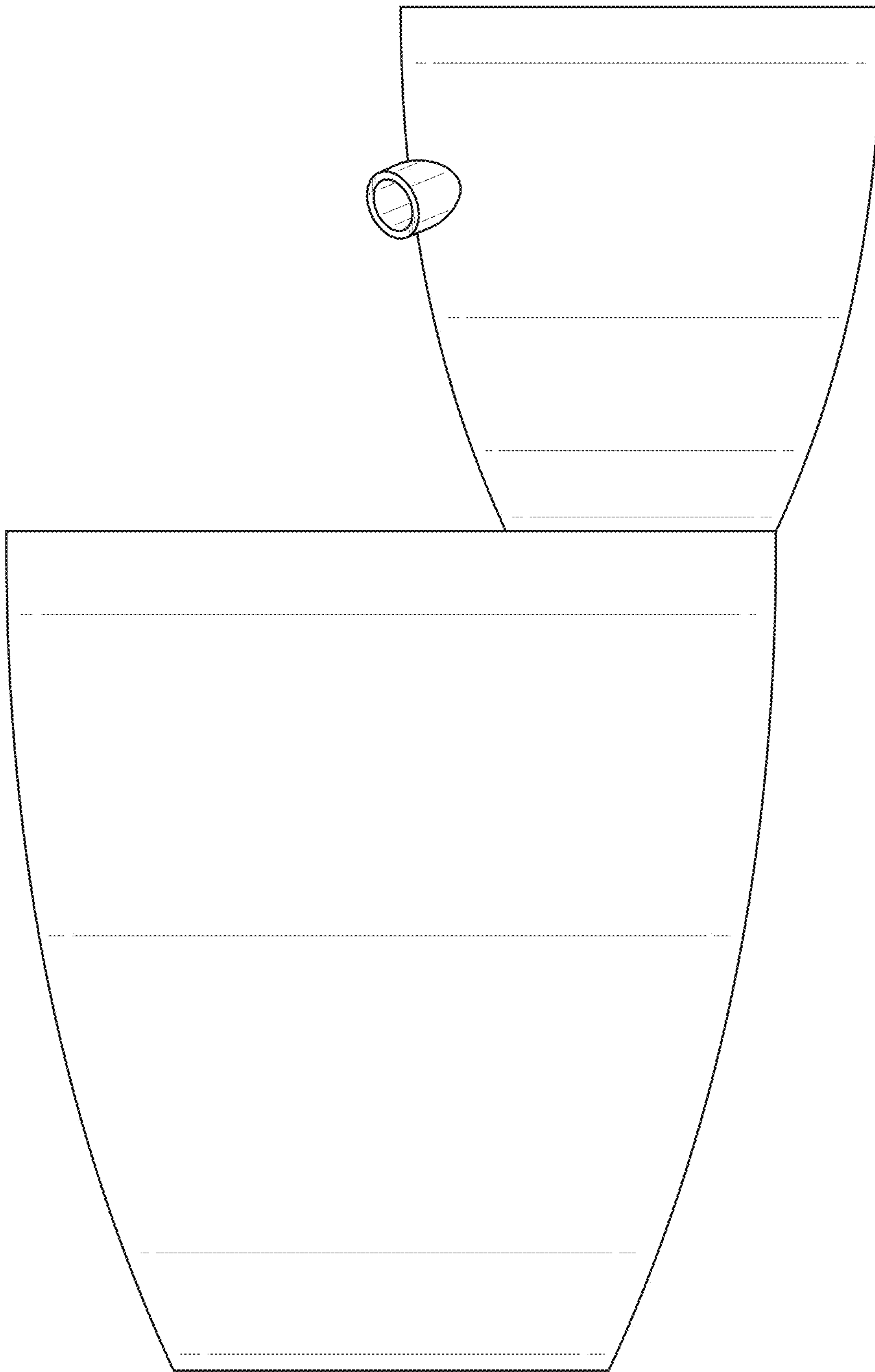
U.S. PATENT DOCUMENTS

D348,418 S *	7/1994	White-Wexler .....	D11/155
D488,401 S *	4/2004	Gutierrez .....	D11/155
D631,784 S *	2/2011	White .....	D11/155
D675,127 S *	1/2013	DiMaggio .....	D11/143
D687,344 S *	8/2013	Garibovic .....	D11/143
D689,245 S *	9/2013	Rowe .....	D30/132
D699,901 S *	2/2014	McCallum .....	D30/132
D727,790 S *	4/2015	Ramadan .....	D11/155
D758,917 S *	6/2016	Smith .....	D11/155
D761,153 S *	7/2016	Agar .....	D11/143
D830,893 S *	10/2018	Thuma .....	D11/155
D836,025 S *	12/2018	Cronkhite .....	A01G 31/02
			D11/155
D911,215 S *	2/2021	Wang .....	D11/155

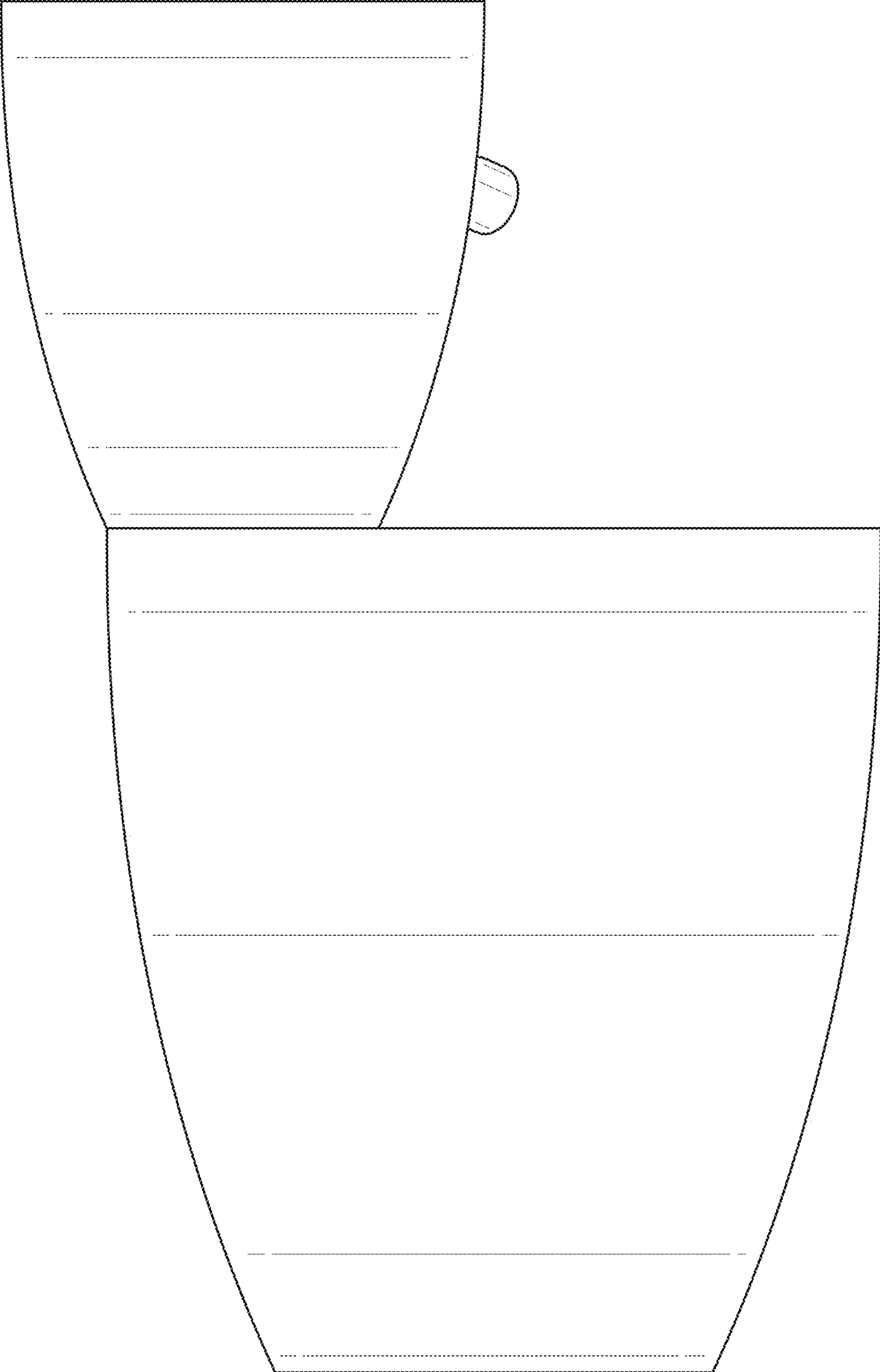
\* cited by examiner



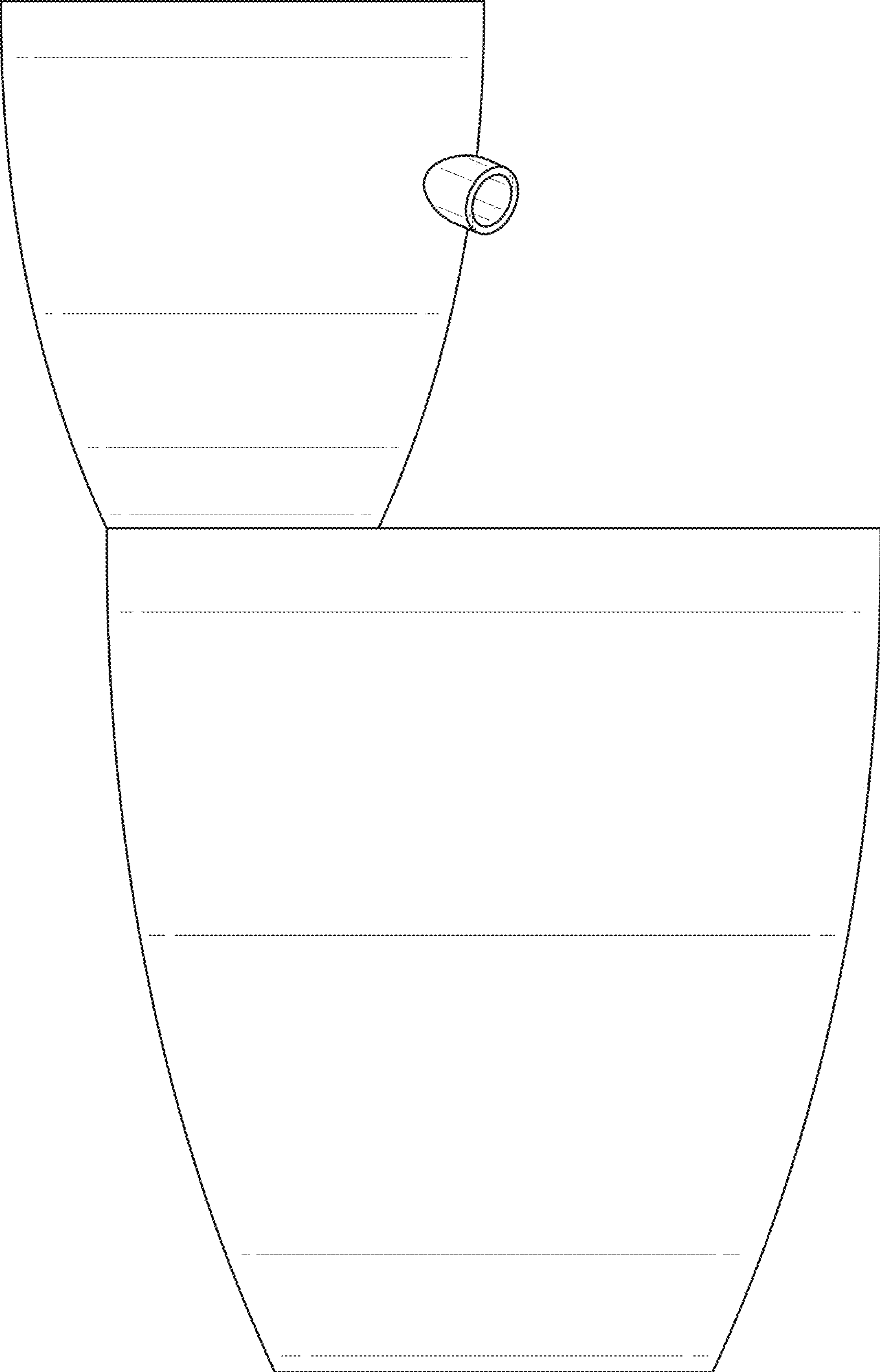
**FIG. 1**



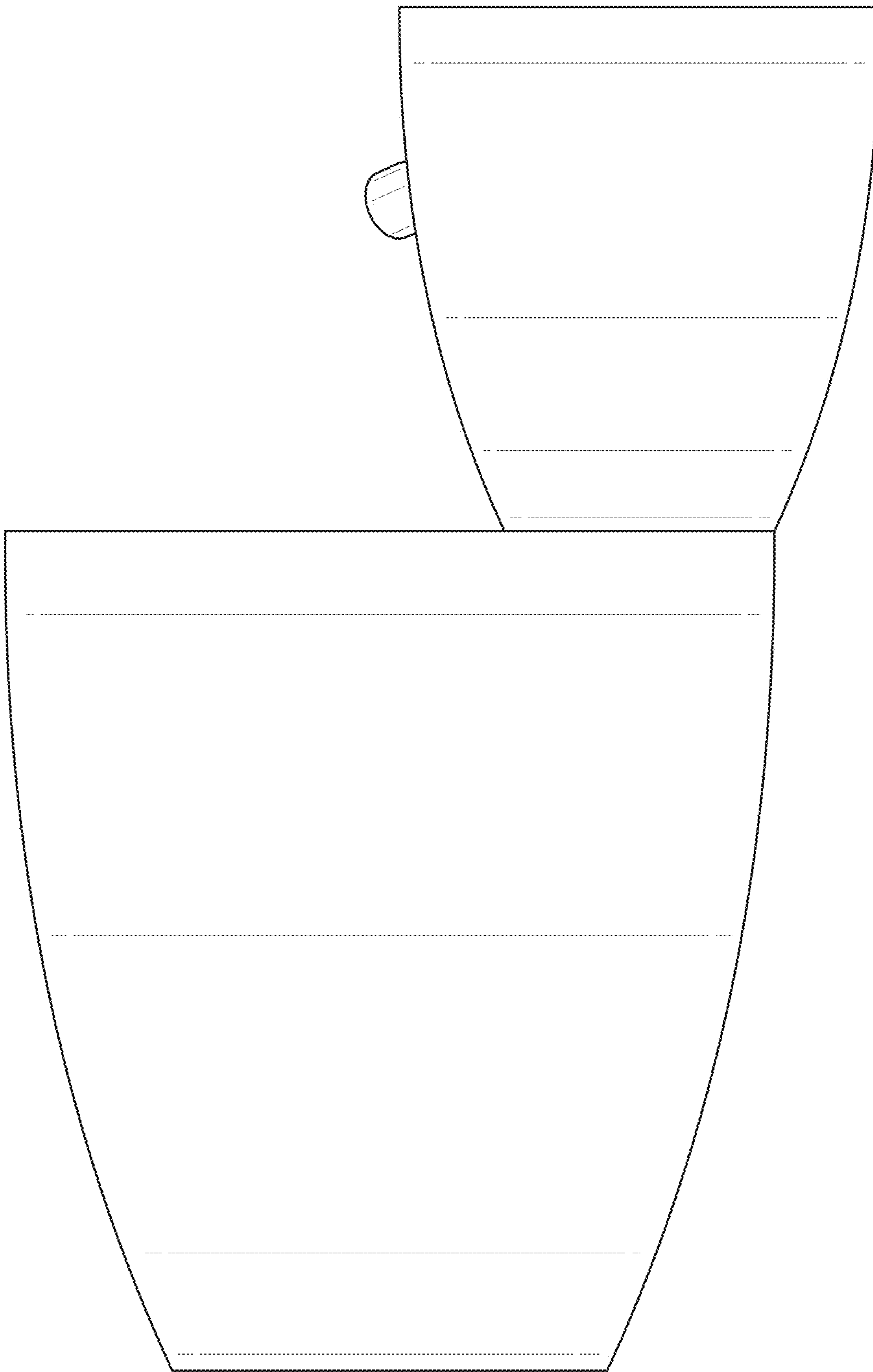
**FIG. 2**



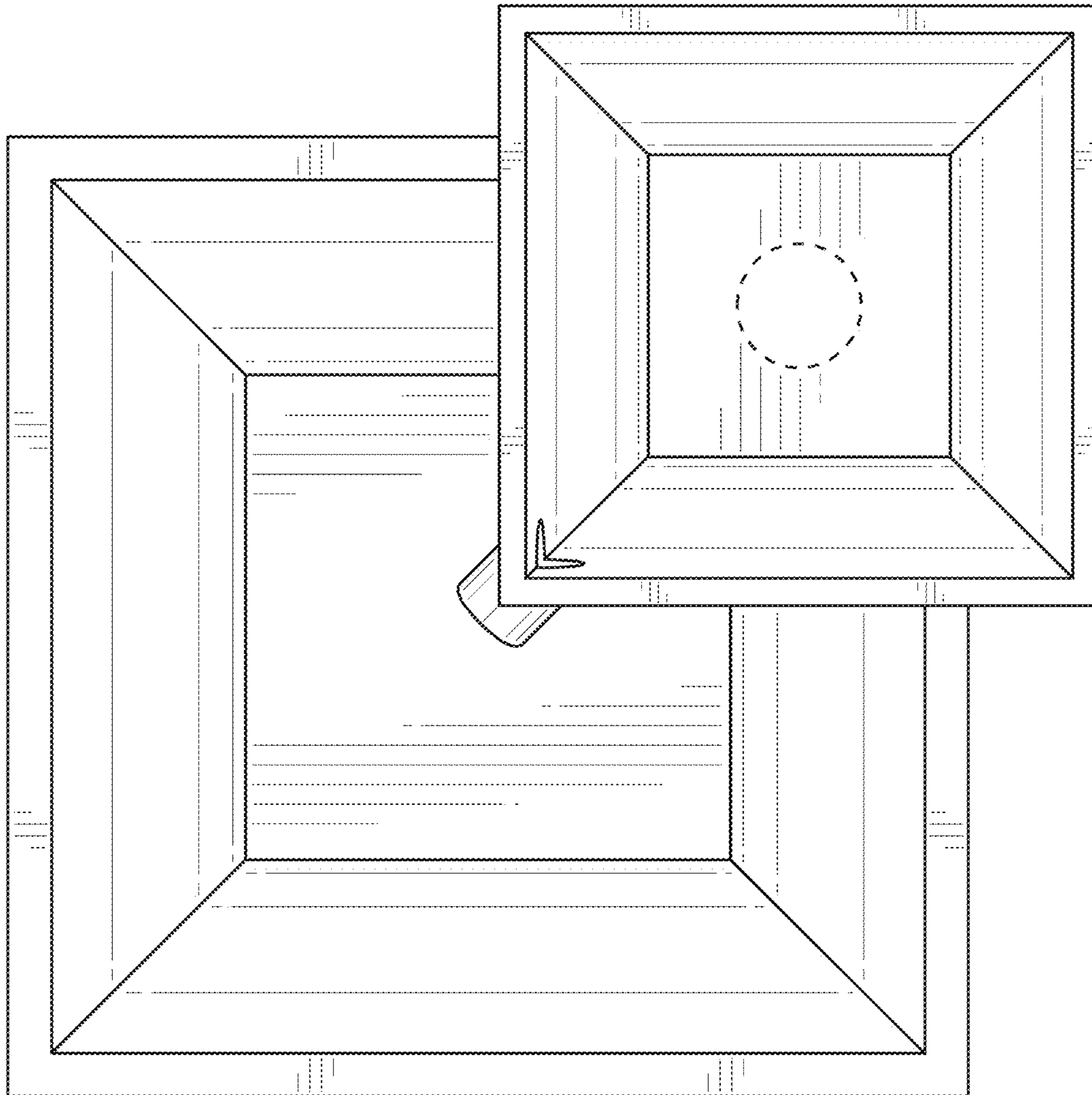
**FIG. 3**



**FIG. 4**

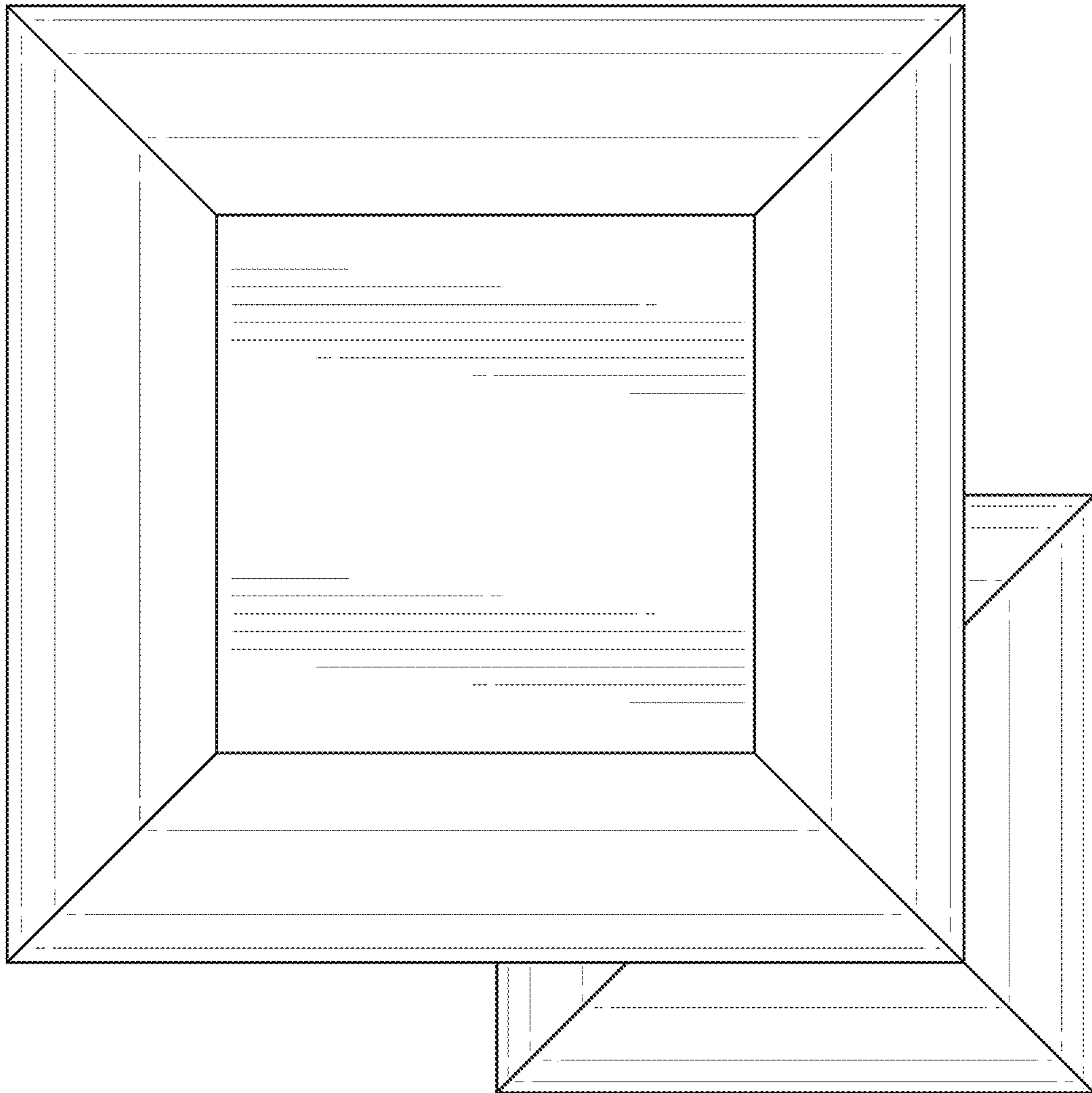


**FIG. 5**

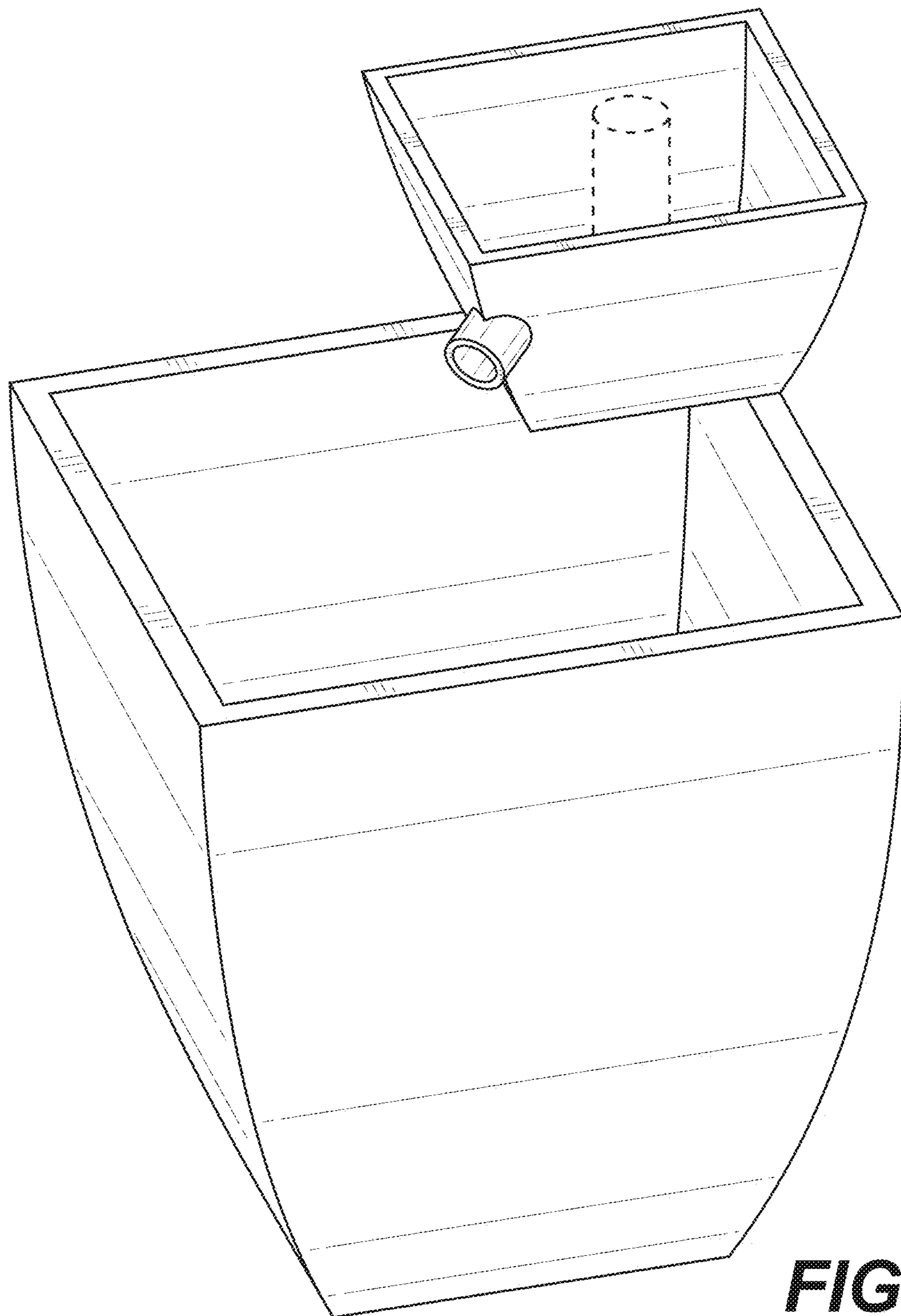


**FIG. 6**

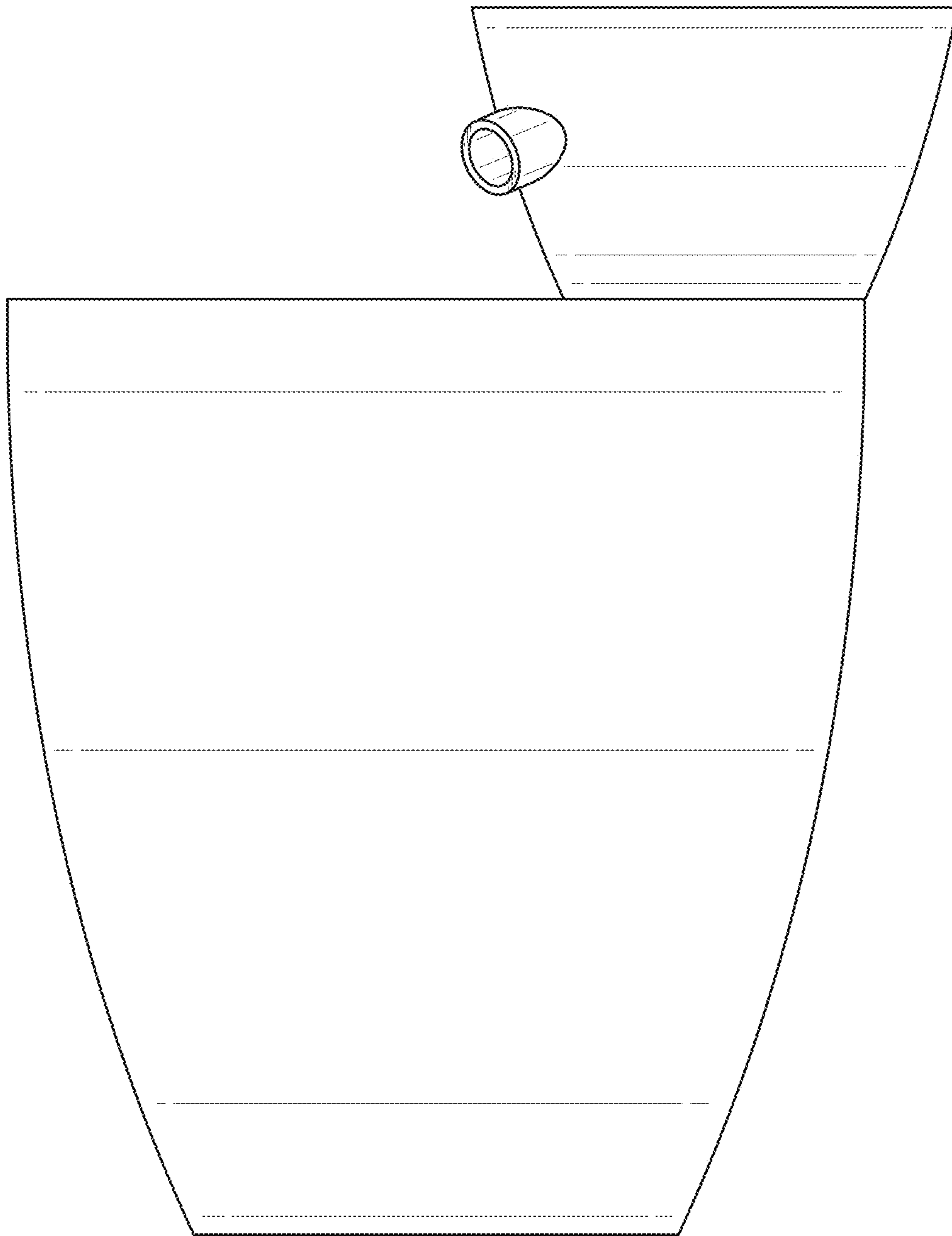




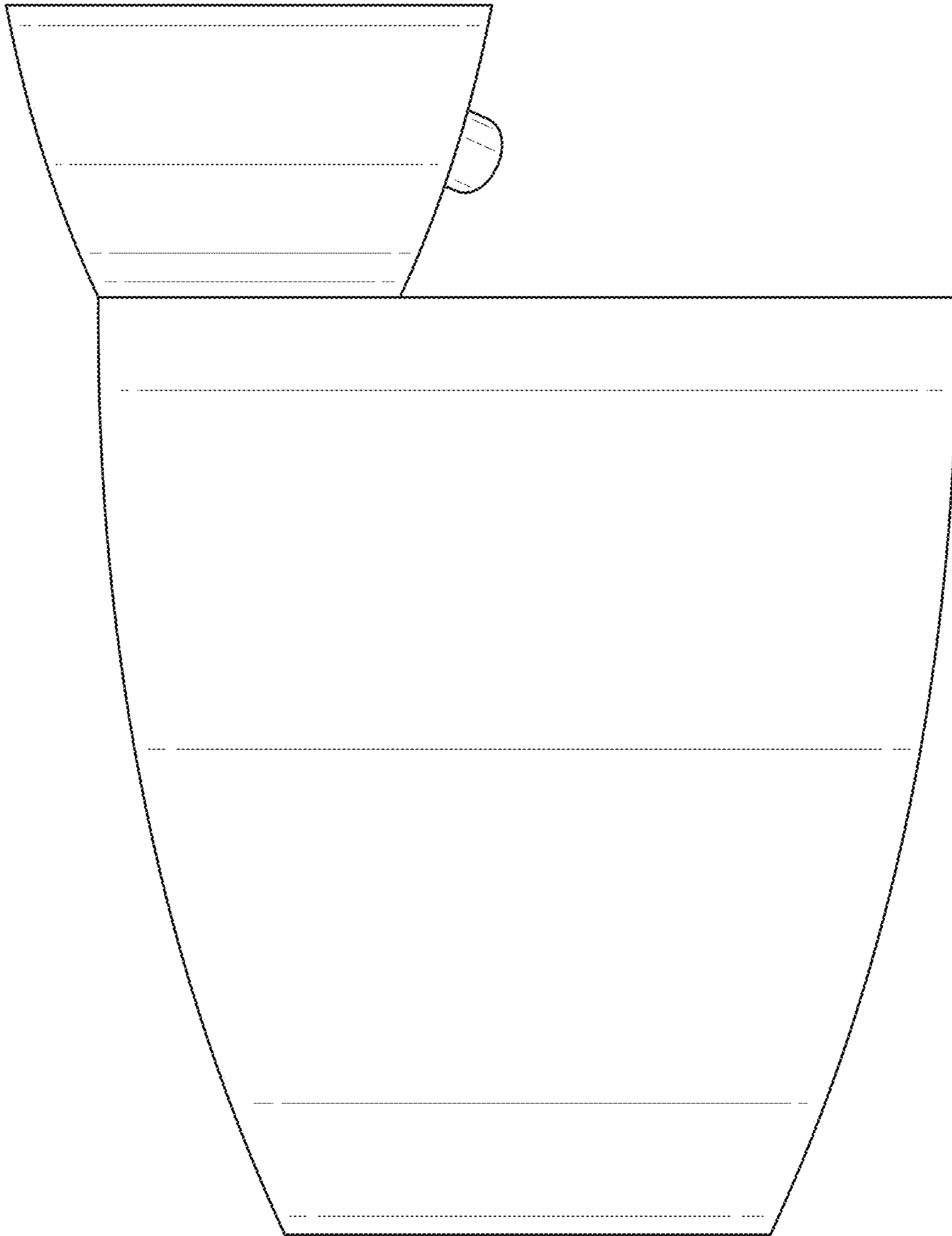
**FIG. 7**



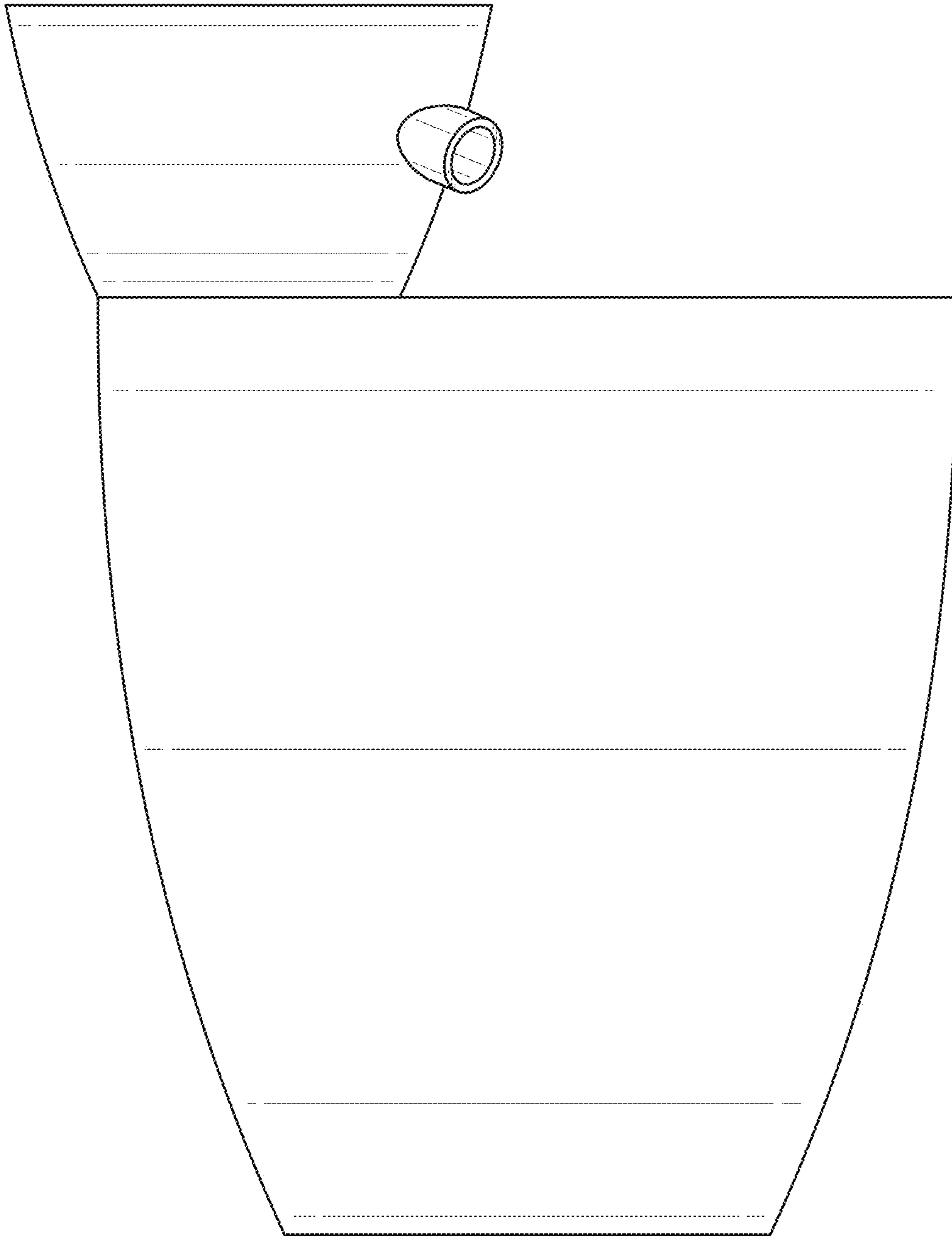
**FIG. 8**



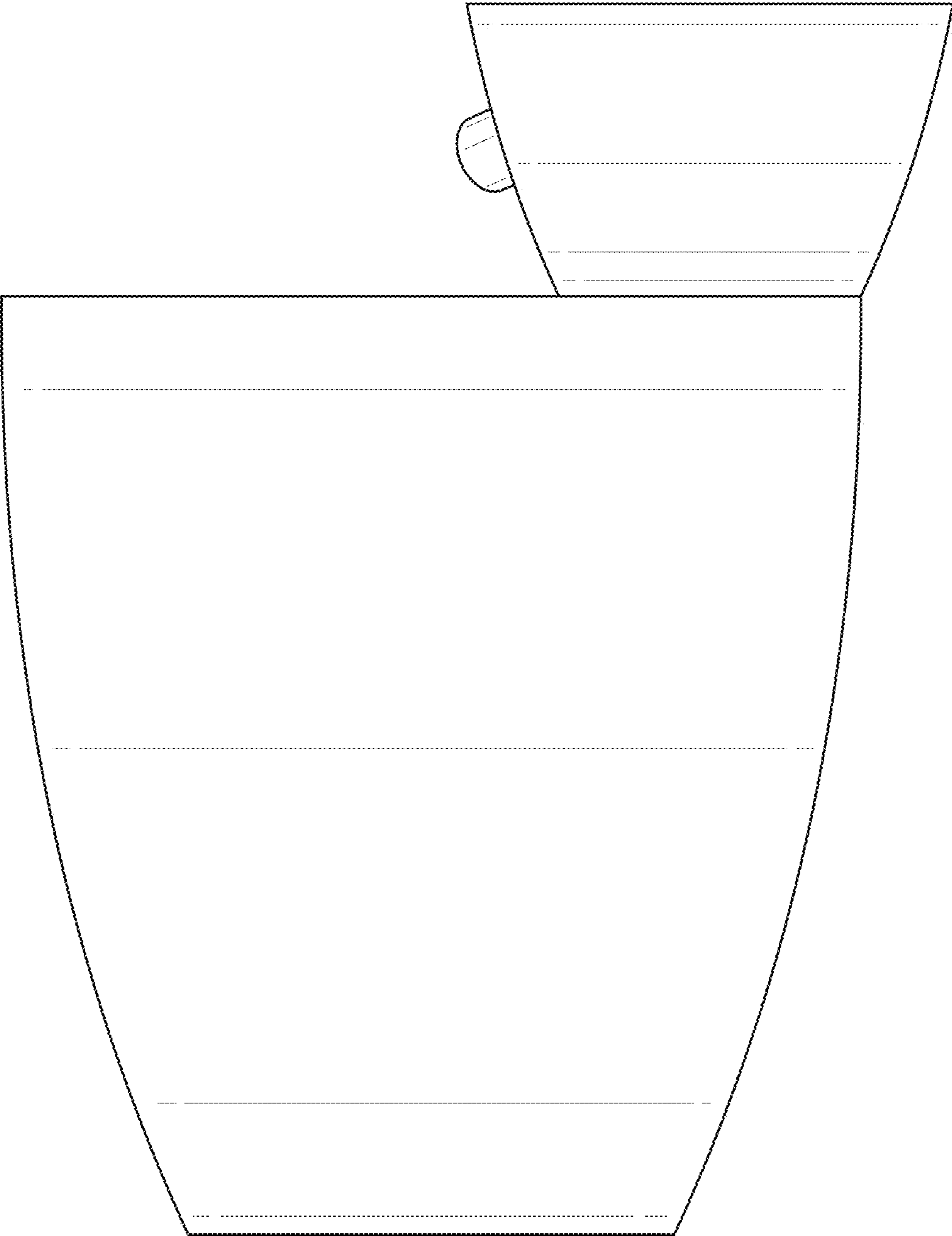
**FIG. 9**



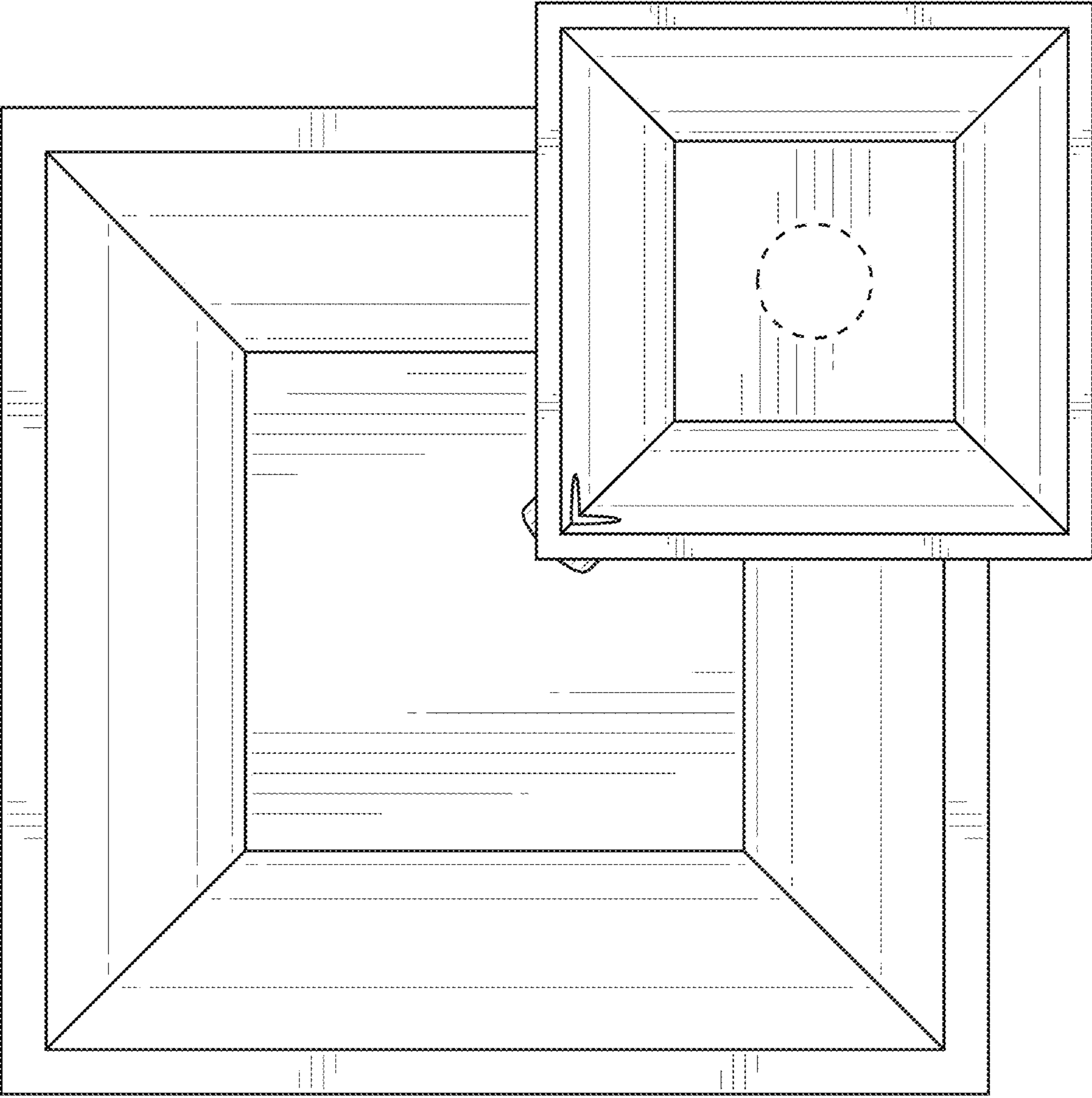
**FIG. 10**



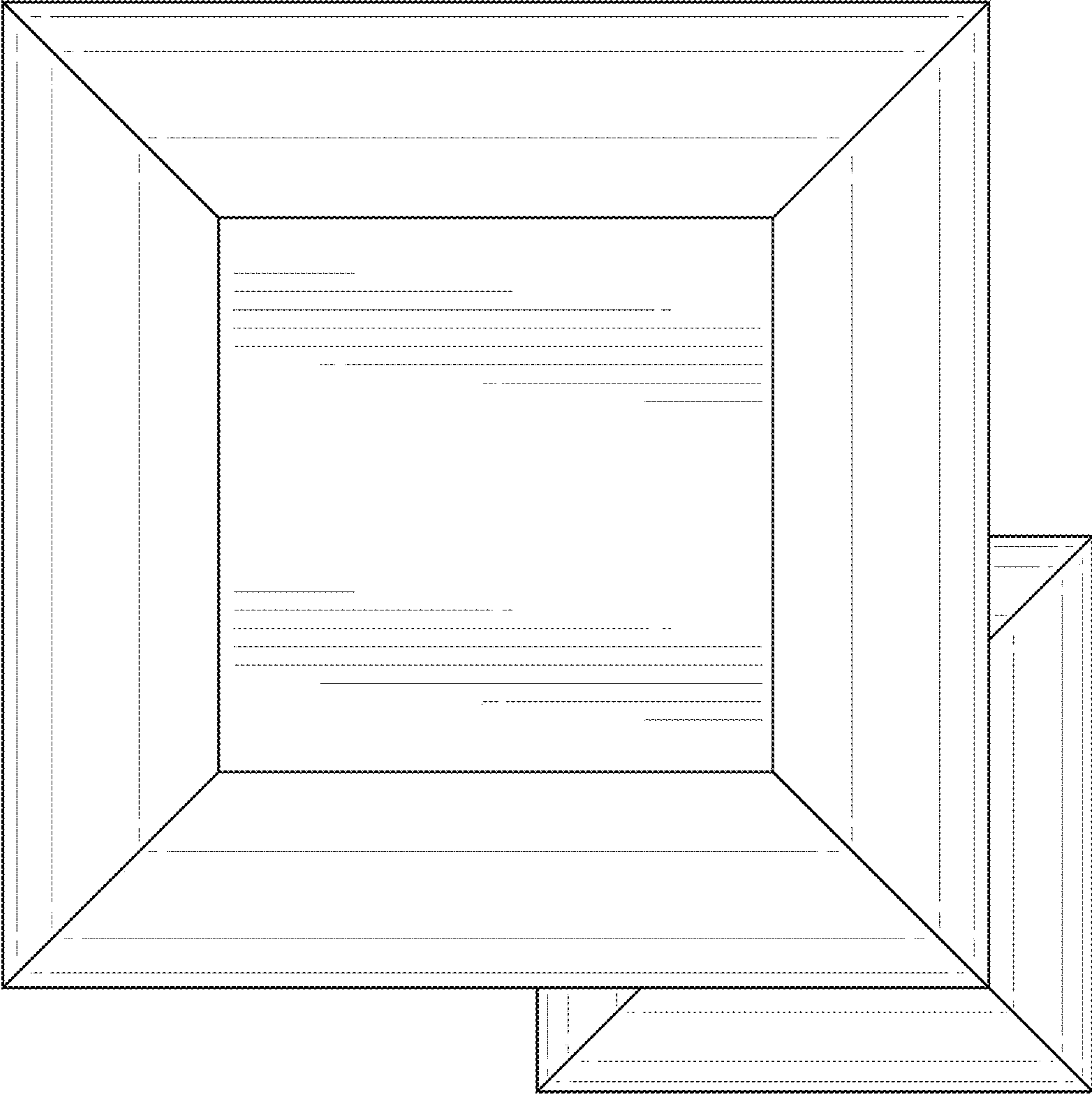
**FIG. 11**



**FIG. 12**

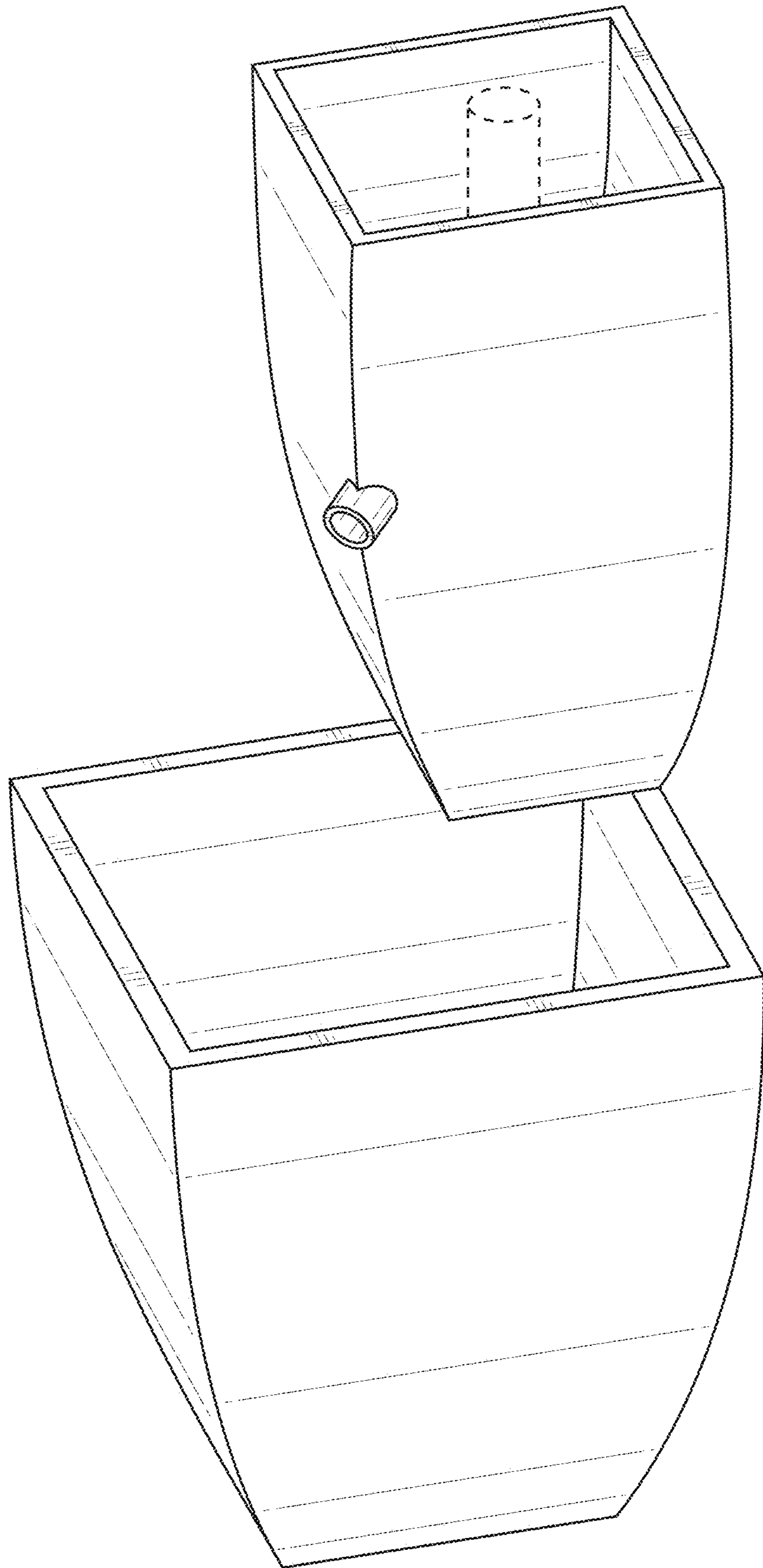


**FIG. 13**

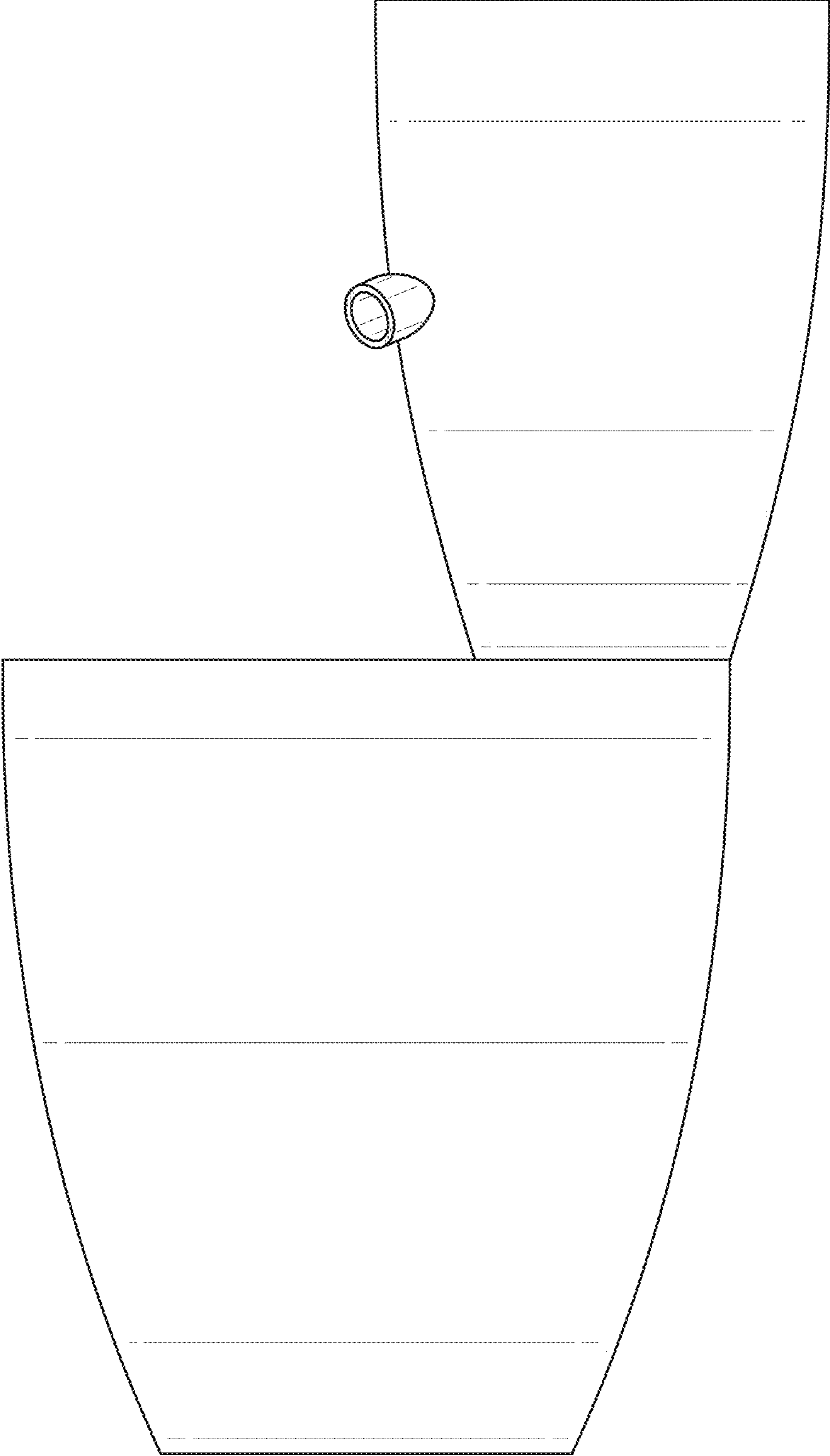


**FIG. 14**

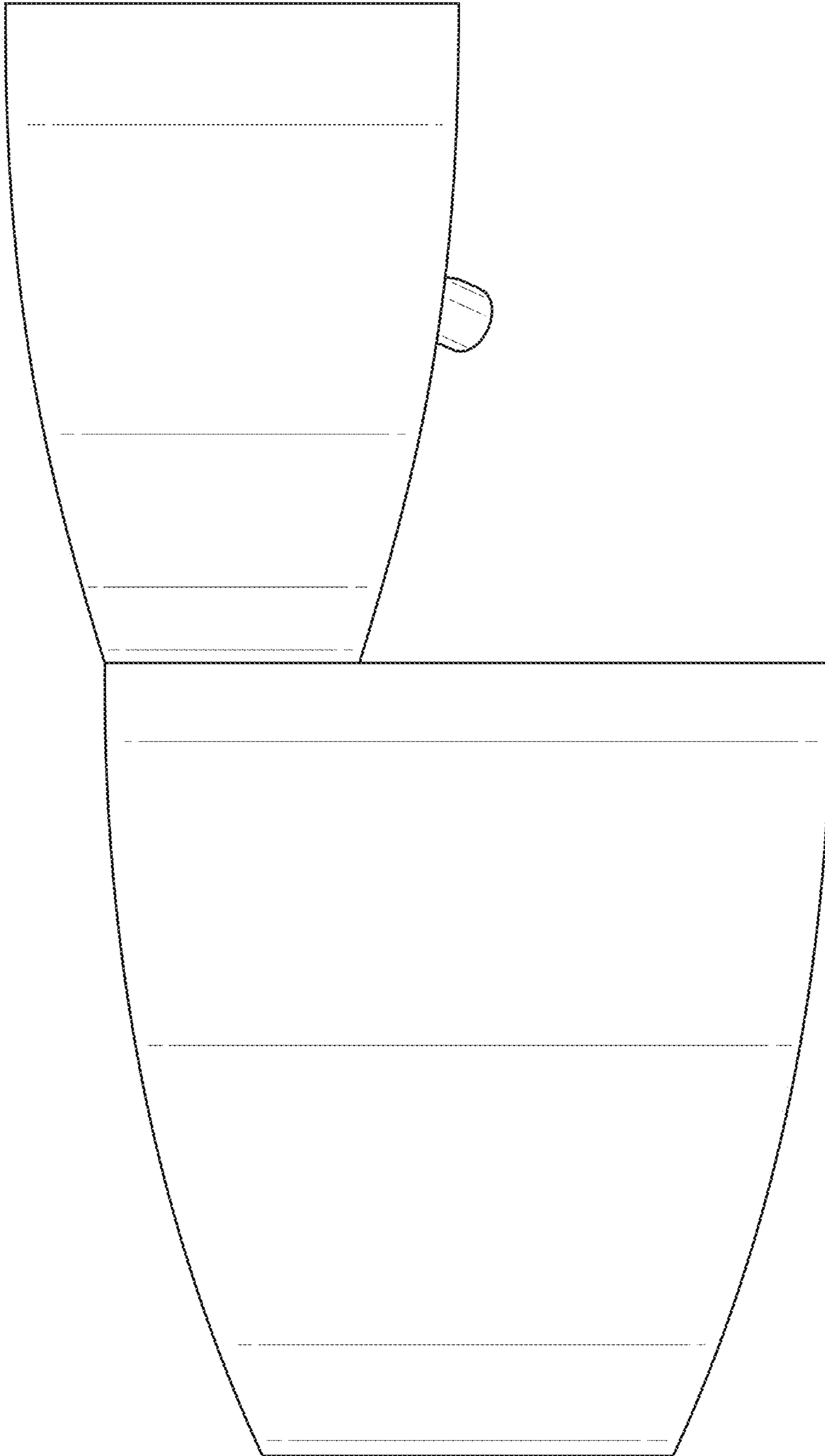




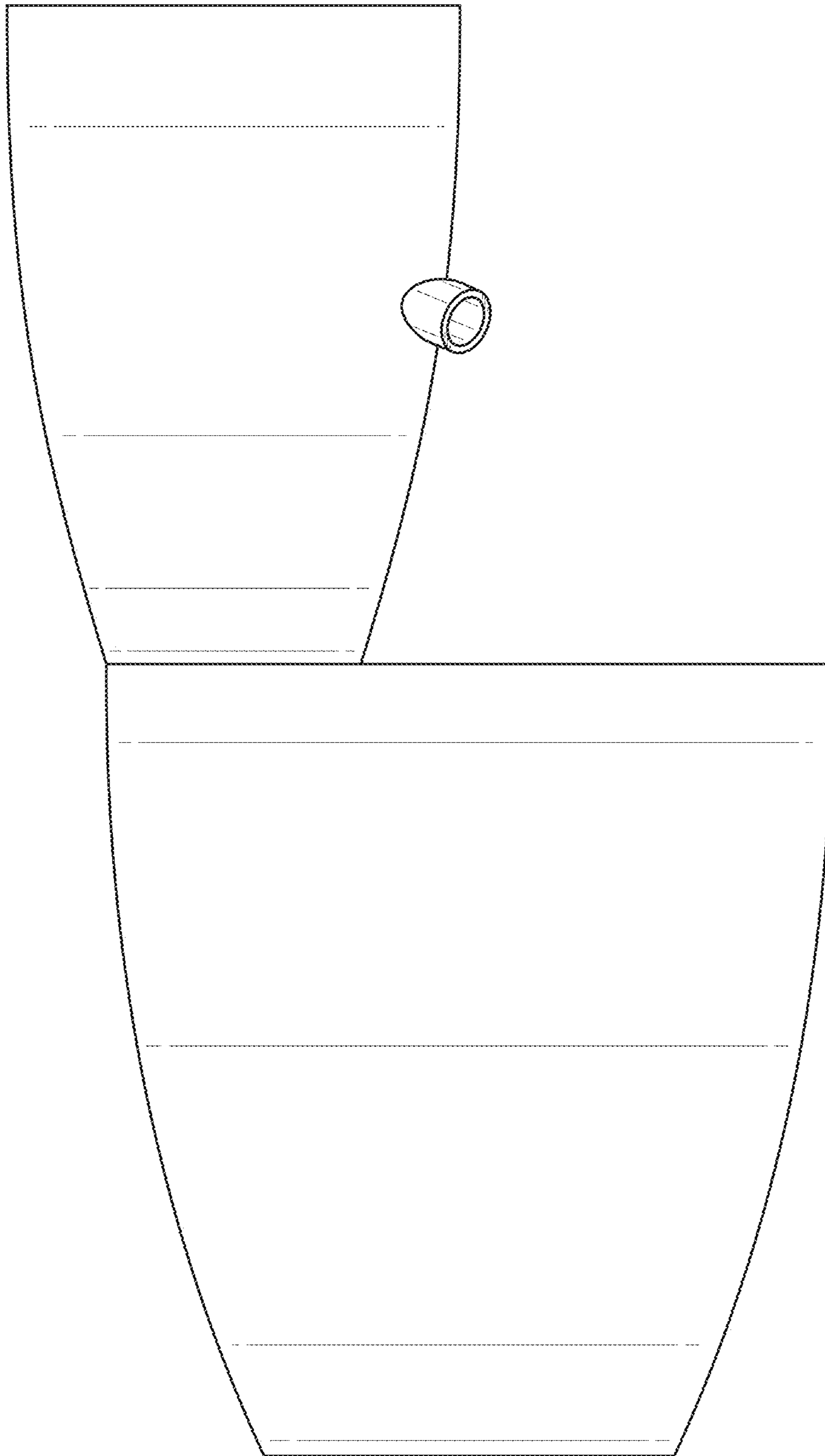
**FIG. 15**



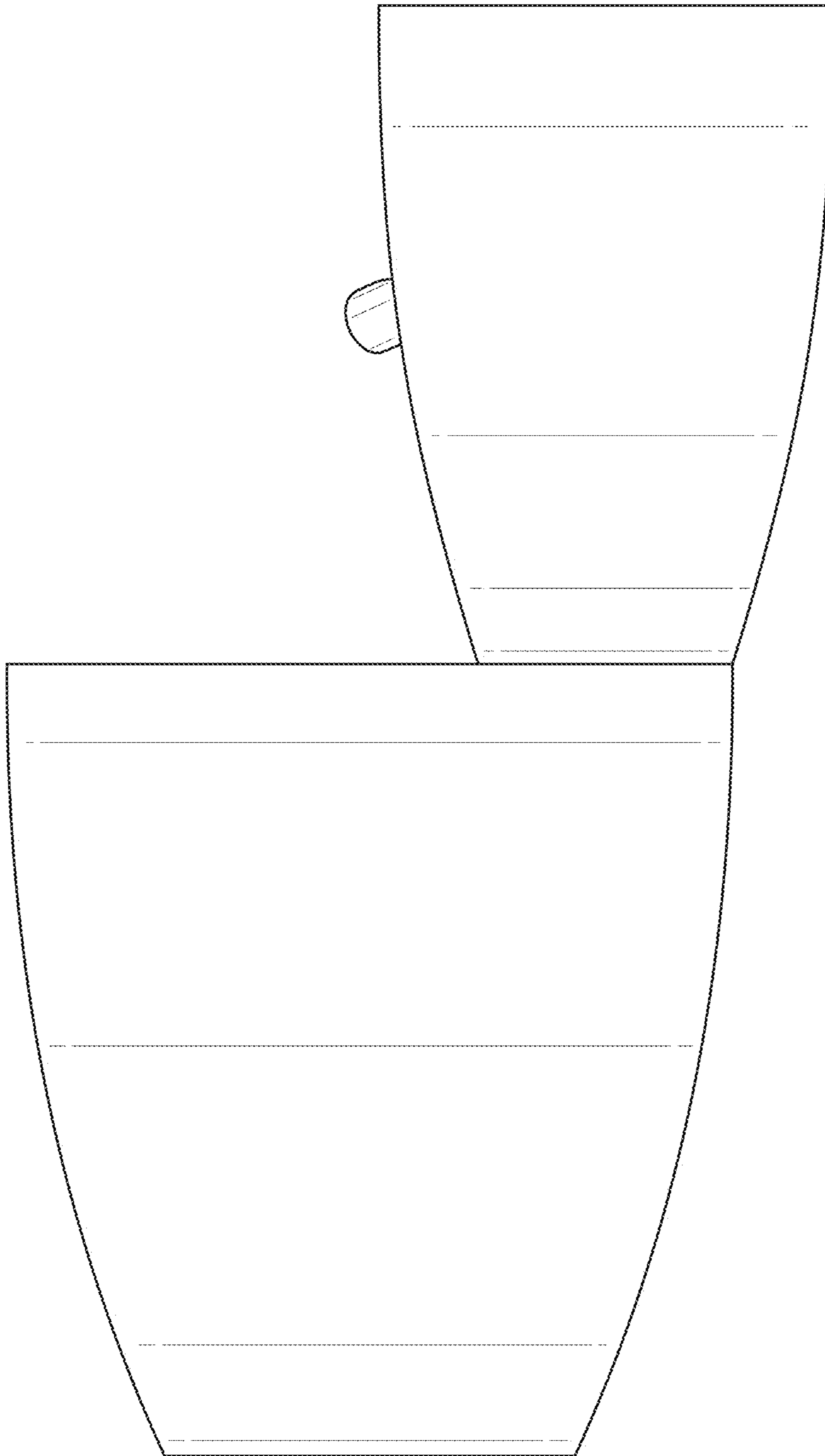
**FIG. 16**



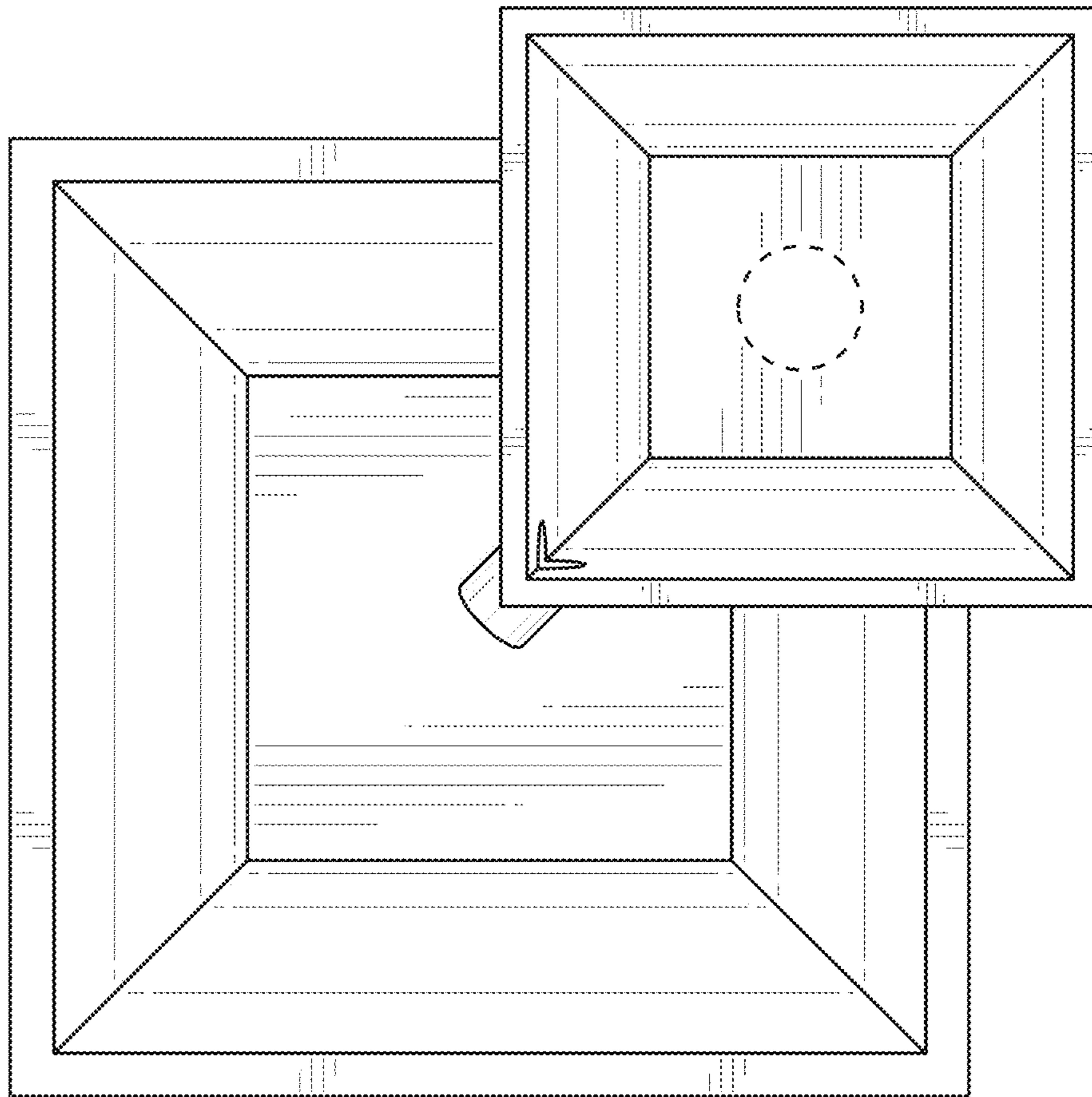
**FIG. 17**



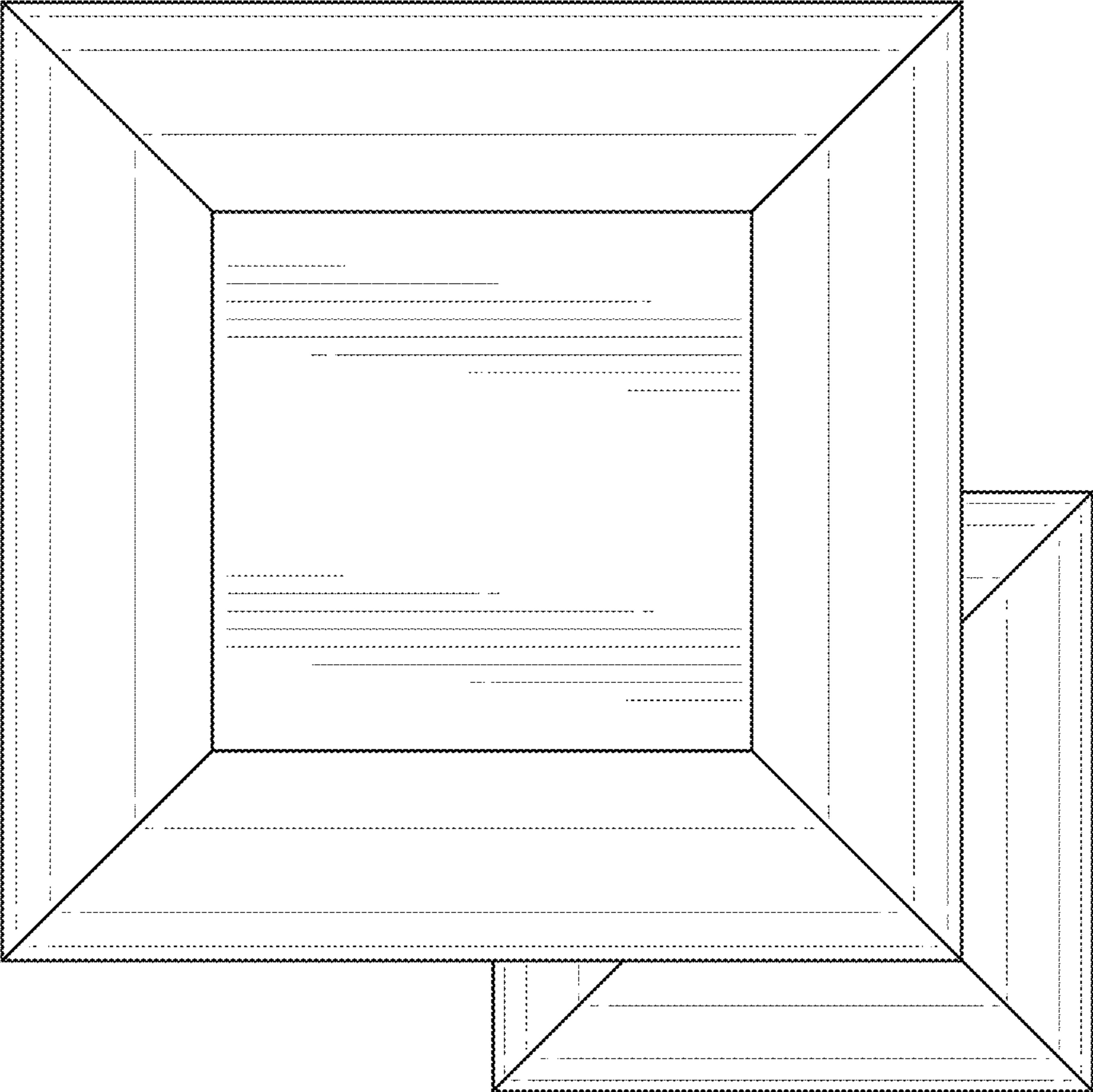
**FIG. 18**



**FIG. 19**



**FIG. 20**



**FIG. 21**