



US00D964206S

(12) **United States Design Patent** (10) **Patent No.:** **US D964,206 S**
Velazquez (45) **Date of Patent:** **** Sep. 20, 2022**

(54) **BRACELET CONNECTOR FOR A CHARM**

(71) Applicant: **MAGICL ACCESSORIES, LLC**,
Orlando, FL (US)

(72) Inventor: **Leilani Velazquez**, Orlando, FL (US)

(73) Assignee: **MAGICL ACCESSORIES, LLC**,
Orlando, FL (US)

(**) Term: **15 Years**

(21) Appl. No.: **29/713,464**

(22) Filed: **Nov. 15, 2019**

(51) **LOC (13) Cl.** **11-01**

(52) **U.S. Cl.**
USPC **D11/87**

(58) **Field of Classification Search**
USPC D11/1, 3, 4, 86, 87, 94
CPC A44C 5/2052; A44C 5/2071; A44C 1/00;
A44C 25/00; A44C 25/001; A44C 25/007
See application file for complete search history.

(56) **References Cited**

U.S. PATENT DOCUMENTS

4,936,699	A	6/1990	Yoshida	
5,857,220	A	1/1999	Erny et al.	
7,640,636	B2 *	1/2010	Clark	A44C 17/0216 24/303
D716,172	S	10/2014	Howe	
D724,453	S *	3/2015	Ogihara	D10/70
D751,452	S *	3/2016	Henning	D11/87
2007/0006502	A1 *	1/2007	Schmelzer	A43B 3/0078 40/636

2010/0064419	A1 *	3/2010	Lee	A42B 1/24 2/209.13
2010/0311544	A1 *	12/2010	Robinette	G01C 22/006 482/8
2013/0302541	A1 *	11/2013	Morgan	A44C 1/00 705/1.1

OTHER PUBLICATIONS

GCBABY, Moana Themed Bracelets for Gift and Birthday Party Favors—Adjustable Silicone bracelets with Charms, Oct. 2019, 2 pages, etsy.com.

* cited by examiner

Primary Examiner — Zenia I Bennett

(74) *Attorney, Agent, or Firm* — Allen, Dyer, Doppelt + Gilchrist, P.A.

(57) **CLAIM**

The ornamental design for a bracelet connector for a charm, as shown and described.

DESCRIPTION

FIG. 1 is a top perspective view of a bracelet connector for a charm;

FIG. 2 is a top view thereof;

FIG. 3 is a bottom view thereof;

FIG. 4 is a right side elevational view thereof;

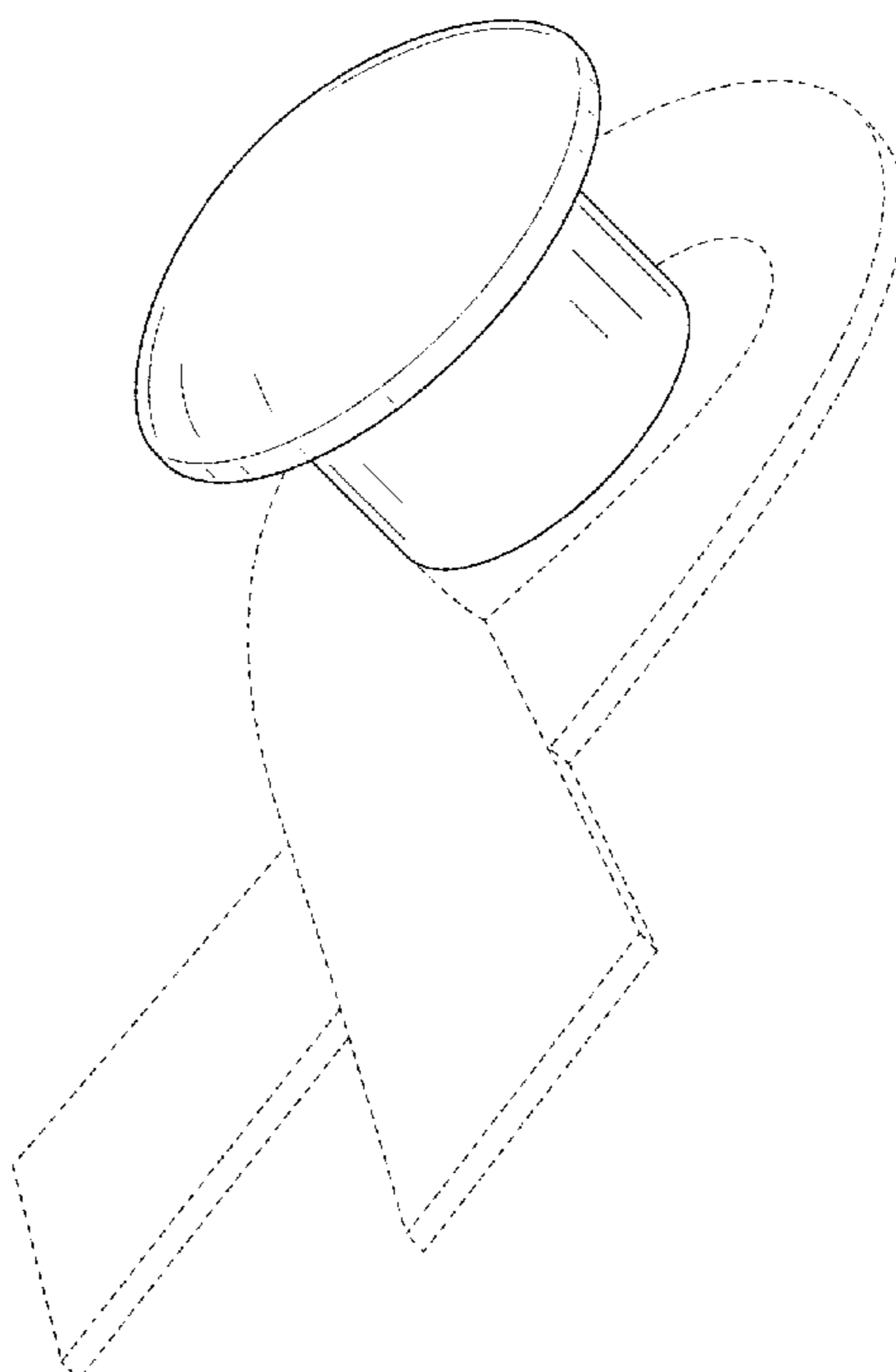
FIG. 5 is a left side elevational view thereof;

FIG. 6 is a front elevational view thereof; and,

FIG. 7 is a rear elevational view thereof.

The broken lines in the drawing depicting the ribbon are for illustrative purposes only and form no part of the claimed design.

1 Claim, 6 Drawing Sheets



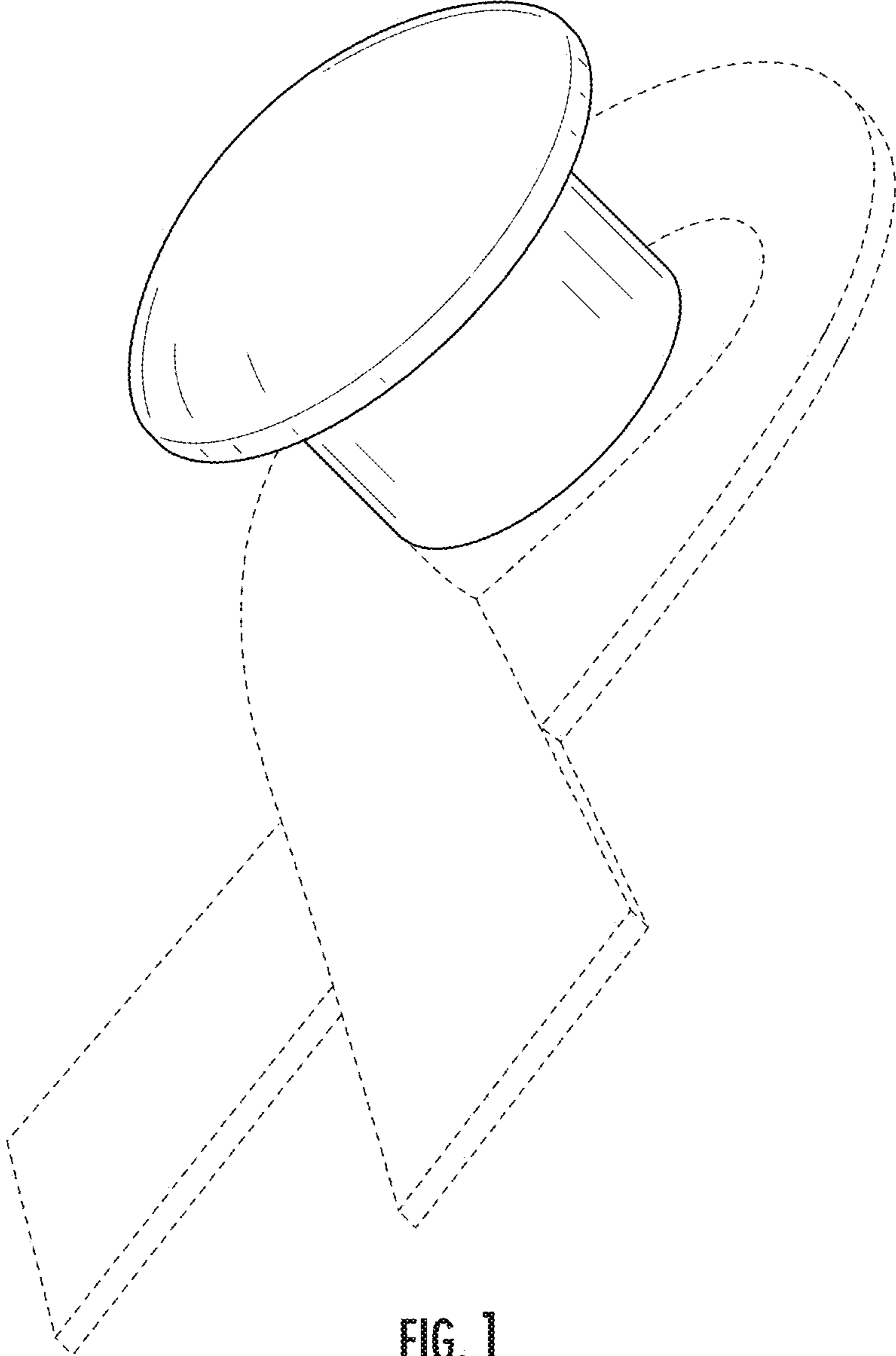


FIG. 1

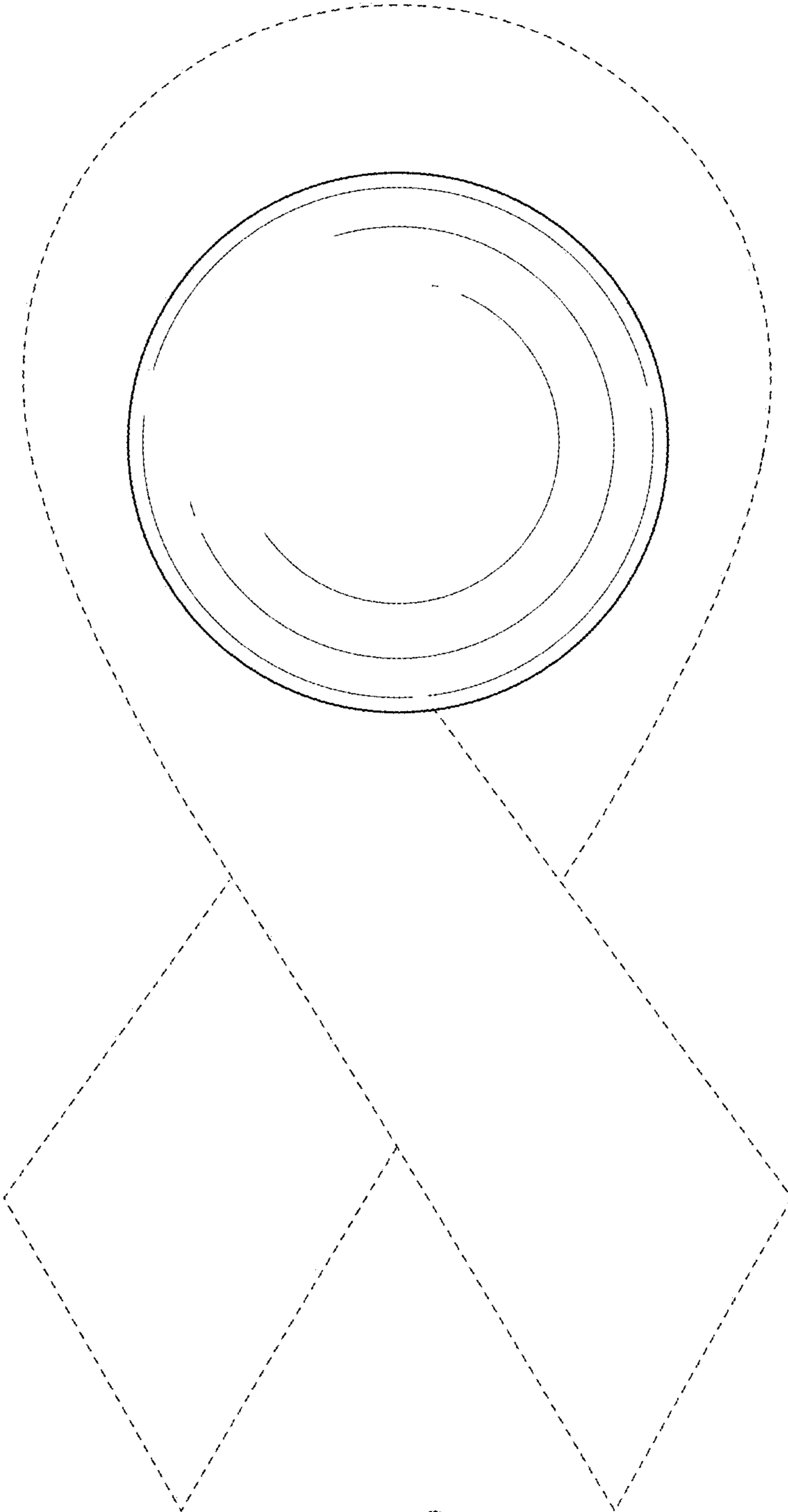


FIG. 2

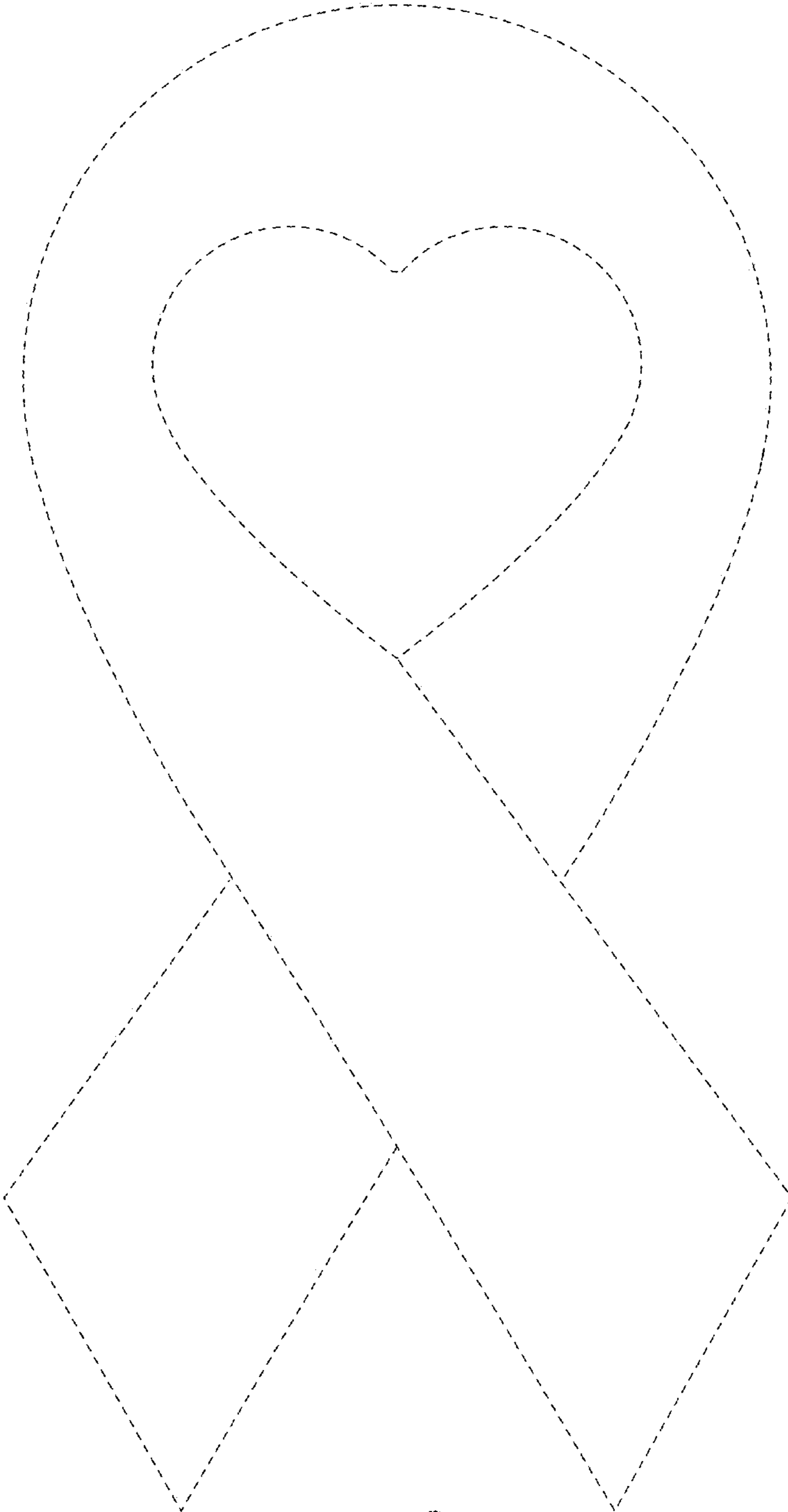


FIG. 3

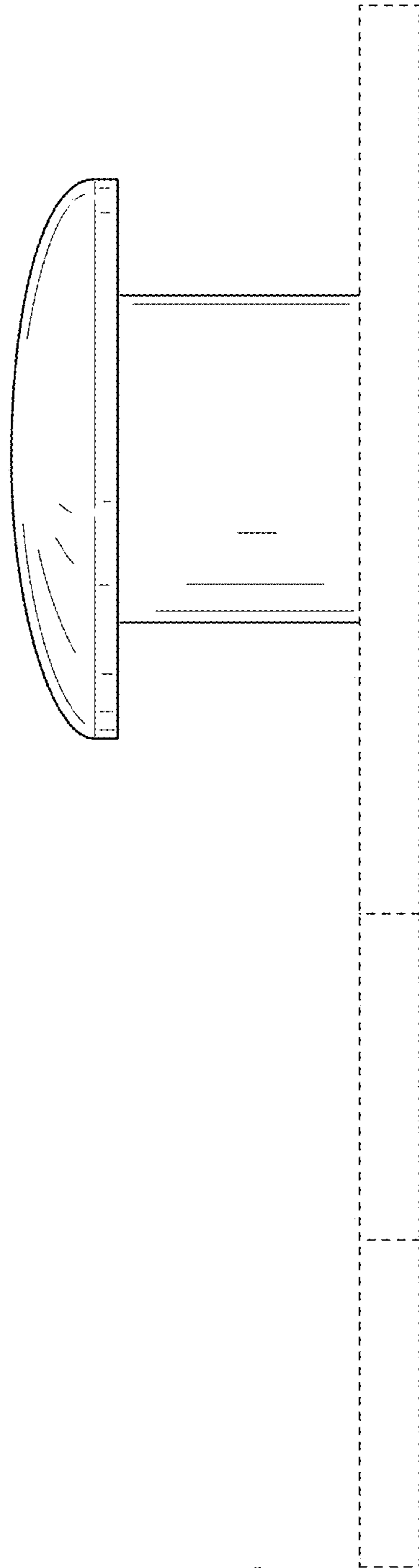


FIG. 4

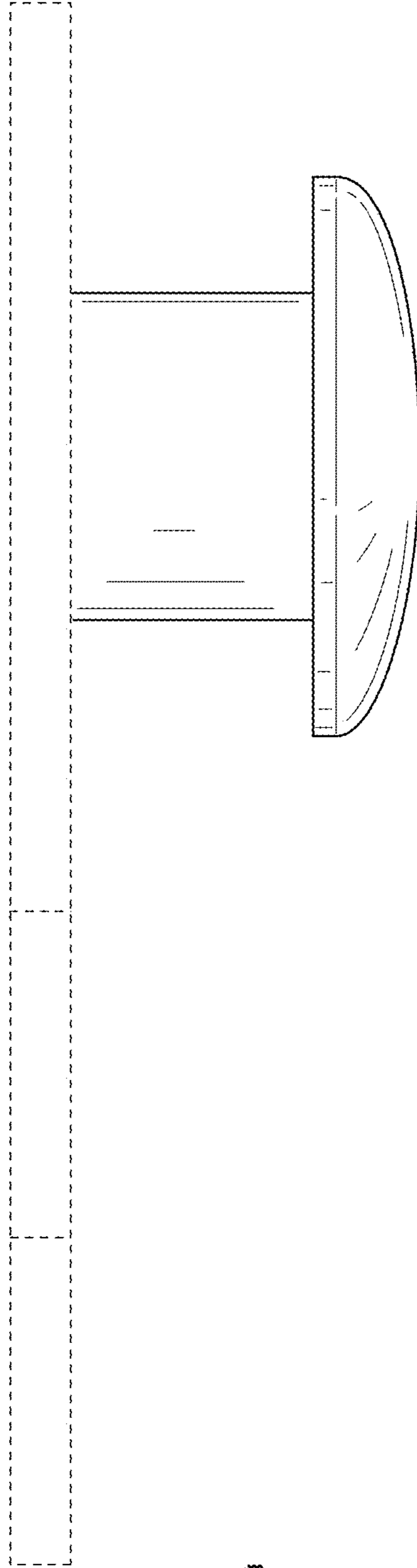


FIG. 5

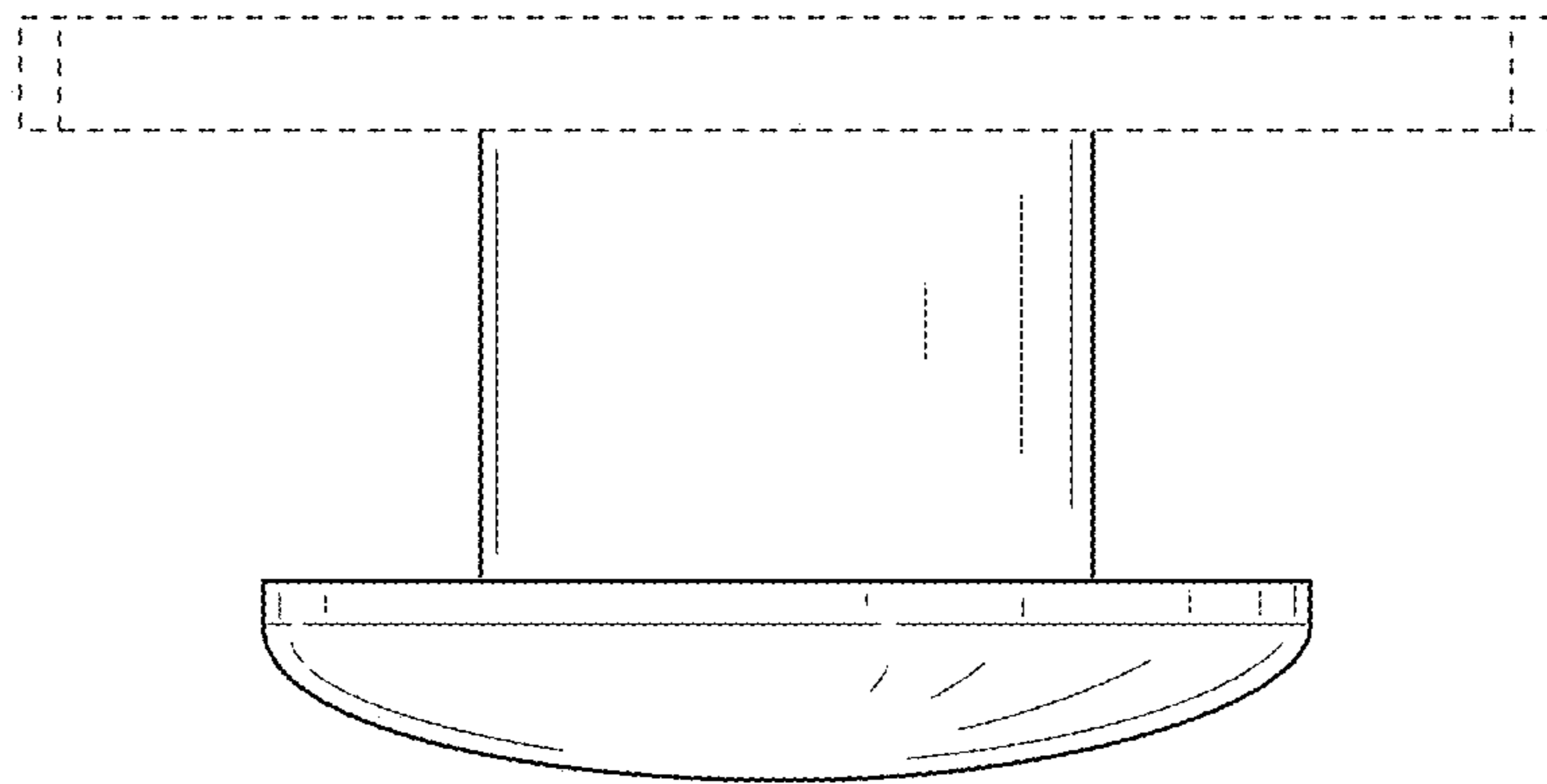


FIG. 6

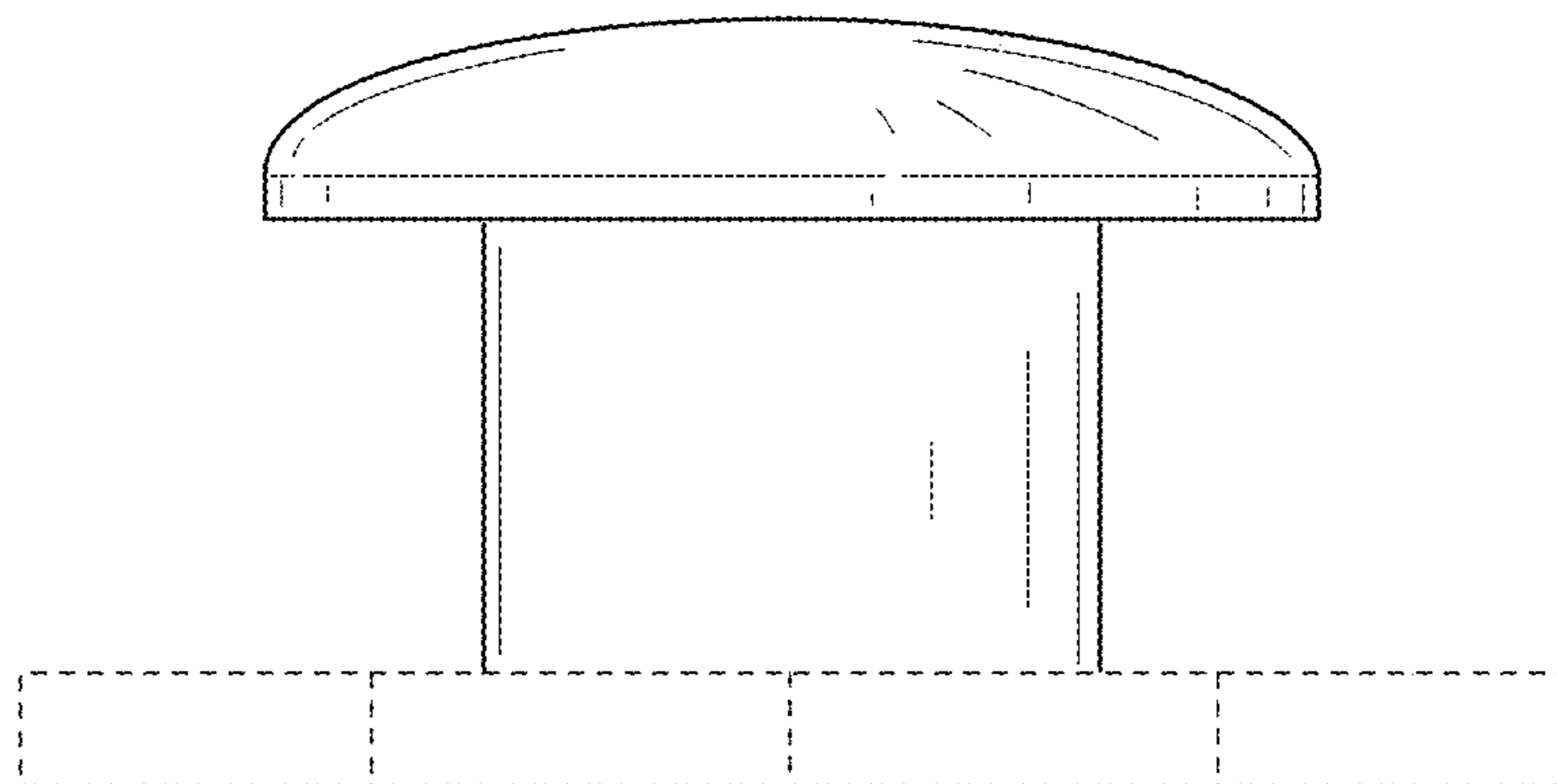


FIG. 7