

US00D964202S

(12) **United States Design Patent**
Nelkin

(10) **Patent No.:** **US D964,202 S**
(45) **Date of Patent:** **** Sep. 20, 2022**

(54) **RING WITH INTERIOR PRINCESS-CUT STONES**

(71) Applicant: **Todd Nelkin**, Glen Rock, NJ (US)

(72) Inventor: **Todd Nelkin**, Glen Rock, NJ (US)

(**) Term: **15 Years**

(21) Appl. No.: **29/704,499**

(22) Filed: **Sep. 5, 2019**

(51) **LOC (13) Cl.** **11-01**

(52) **U.S. Cl.**
USPC **D11/34**

(58) **Field of Classification Search**
USPC D11/1, 7, 8, 26-39, 79, 91, 92, 86
(Continued)

(56) **References Cited**

U.S. PATENT DOCUMENTS

1,422,819 A * 7/1922 Blaicher A44C 9/00
63/15
D61,614 S * 10/1922 Weinberg D11/34
(Continued)

OTHER PUBLICATIONS

Demarco Bridal Jewelry Official Blog entry posted Aug. 16, 2012
at <http://www.demarcojewelry.com/blog/mens-designer-diamond-rings/>.

(Continued)

Primary Examiner — Melanie Pellegrini

(74) *Attorney, Agent, or Firm* — Ostrager Chong Flaherty & Broitman P.C.

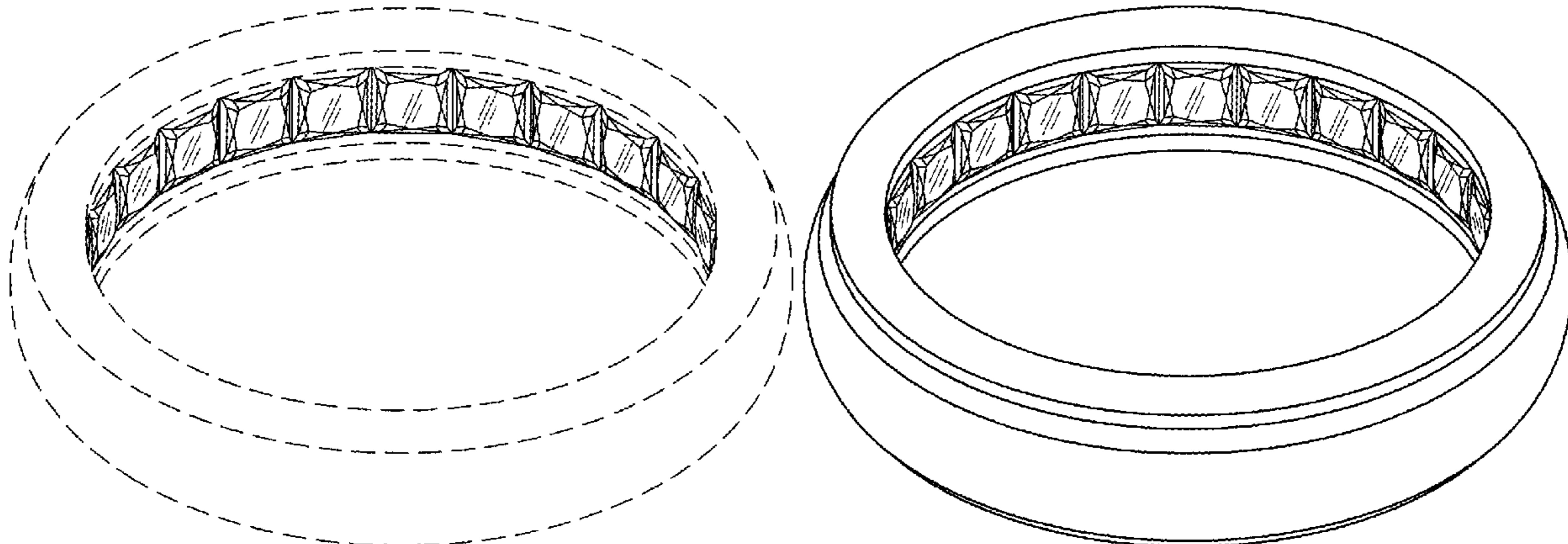
(57) **CLAIM**

I claim the ornamental design for a ring with interior princess-cut stones, as shown and described.

DESCRIPTION

FIG. 1 is a top and side perspective view of a ring with interior princess-cut stones in a use configuration;
FIG. 2 is a top and side perspective view of the stones in the ring with interior princess-cut stones of FIG. 1 without an outer ring;
FIG. 3 is a top view thereof, the bottom view being a mirror image of the top view;
FIG. 4 is a side view thereof, all other side views being identical thereto;
FIG. 5 is a top and side perspective view of the ring with interior princess-cut stones in a use configuration with a first outer ring;
FIG. 6 is a top view thereof, the bottom view being a mirror image of the top view;
FIG. 7 is a side view thereof, all other side views being identical thereto;
FIG. 8 is a top and side perspective view of the ring with interior princess-cut stones in a use configuration with a second outer ring;
FIG. 9 is a top view thereof, the bottom view being a mirror image of the top view;
FIG. 10 is a side view thereof, all other side views being identical thereto;
FIG. 11 is a top and side perspective view of the ring with interior princess-cut stones in a use configuration with a third outer ring;
FIG. 12 is a top view thereof, the bottom view being a mirror image of the top view;
FIG. 13 is a side view thereof, all other side views being identical thereto;
FIG. 14 is a top and side perspective view of the ring with interior princess-cut stones in a use configuration having larger dimensions;
FIG. 15 is a top view thereof, the bottom view being a mirror image of the top view; and,
FIG. 16 is a side view thereof, all other side views being identical thereto.
The broken lines in FIGS. 1-4 depict portions of the ring with interior princess-cut stones that form no part of the claimed design.

1 Claim, 6 Drawing Sheets



(58) **Field of Classification Search**

CPC A44C 9/00; A44C 9/0007; A44C 9/0014;
 A44C 9/0023; A44C 9/003; A44C
 9/0038; A44C 9/0046; A44C 9/0053;
 A44C 9/0061; A44C 9/0069; A44C
 9/0076; A44C 9/0084; A44C 9/0092;
 A44C 9/02; A44C 17/0258; A44C
 17/0266; A44C 17/0275; A44C 17/0283;
 A44C 17/02; A44C 17/0208; A44C
 17/0216; A44C 17/0225; A44C 17/0233;
 A44C 17/0241; A44C 17/025; A44C
 17/0288; A44C 17/0291; A44C 1/00;
 A44C 15/00; A44C 15/0005; A44C
 15/001; A44C 15/005

See application file for complete search history.

(56) **References Cited**

U.S. PATENT DOCUMENTS

D329,992 S * 10/1992 Dostourian D11/34
 D451,046 S * 11/2001 Itzkowitz D11/26
 D589,839 S * 4/2009 Dostourian D11/34
 D780,018 S * 2/2017 Rivière D11/34

D951,801 S * 5/2022 DeVolder D11/34
 2007/0044509 A1* 3/2007 Grad A44C 9/00
 63/28
 2009/0071192 A1* 3/2009 Bauman A44C 17/046
 63/26
 2017/0049195 A1* 2/2017 Dholakiya A44C 17/04
 2018/0168298 A1* 6/2018 Bassan A44C 17/02

OTHER PUBLICATIONS

Organization of Wedding Blog, “Mens Wedding Band with Diamonds on the Inside”, published Sep. 26, 2016 at <http://Wedeliver-Cancun.info/Mens-Wedding-Band-With-Diamonds-On-The-Inside.Html>.

Ellis Jewelers, Men’s Wedding Band with Mesh Pattern Inside and Flat Profile with Bevel Edge, printed from website May 19, 2017, <http://m.ellisfinejewelers.com/artcarved-1/mens-wedding-band/mens-wedding-band-with-mesh-pattern-inside-and-flat-profile-with-bevel-edge-available-in-white>

Shop Rings—AHAlife, Wedding Ring, printed from website May 19, 2017, https://www.ahalife.com/shop/product/149000007128?utm_source=google&utm_source=google&utm_medium=cpc&utm_medium=cpc&utm_campaign=ProductLi

* cited by examiner

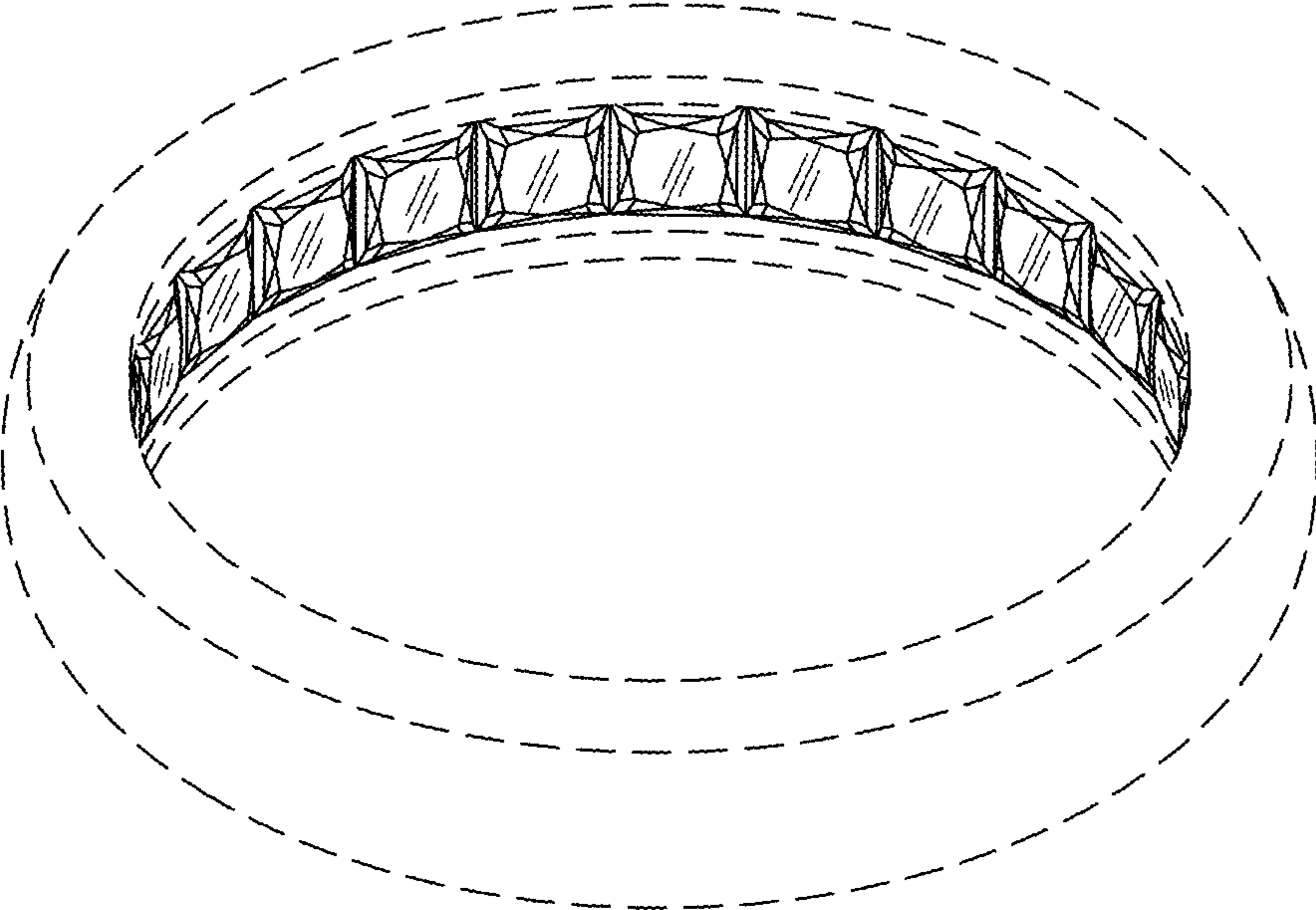


FIG.1

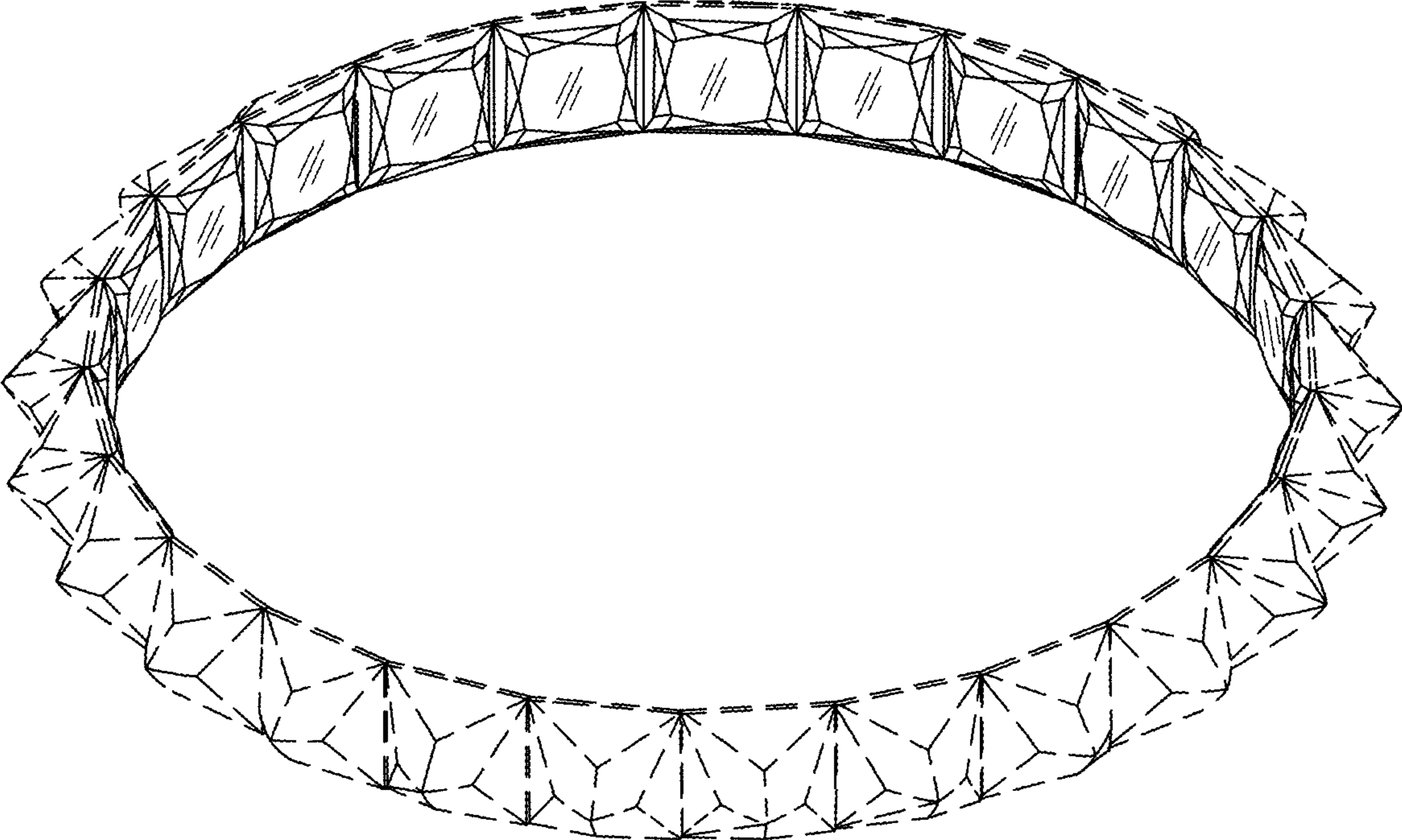


FIG.2

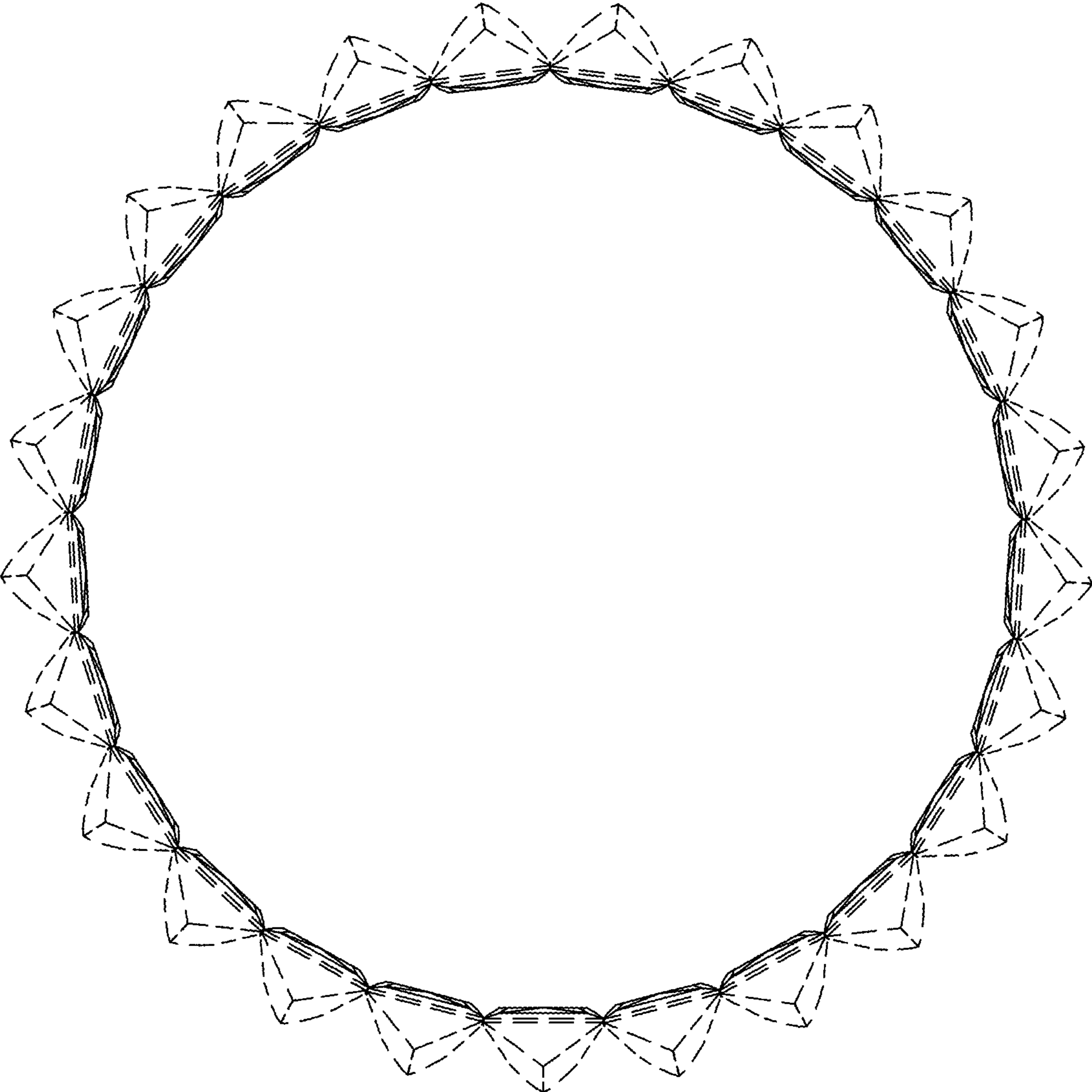


FIG.3

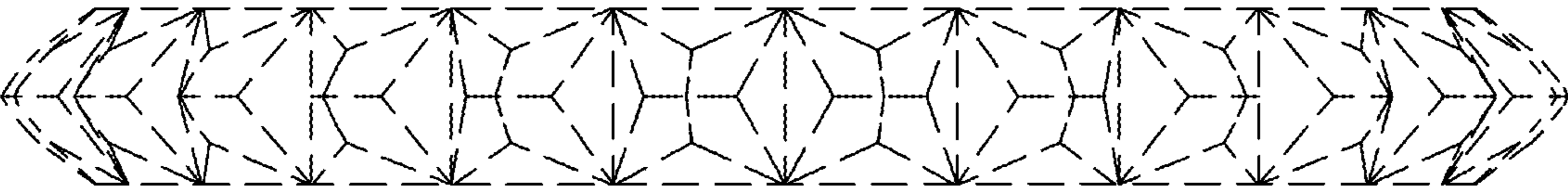


FIG.4

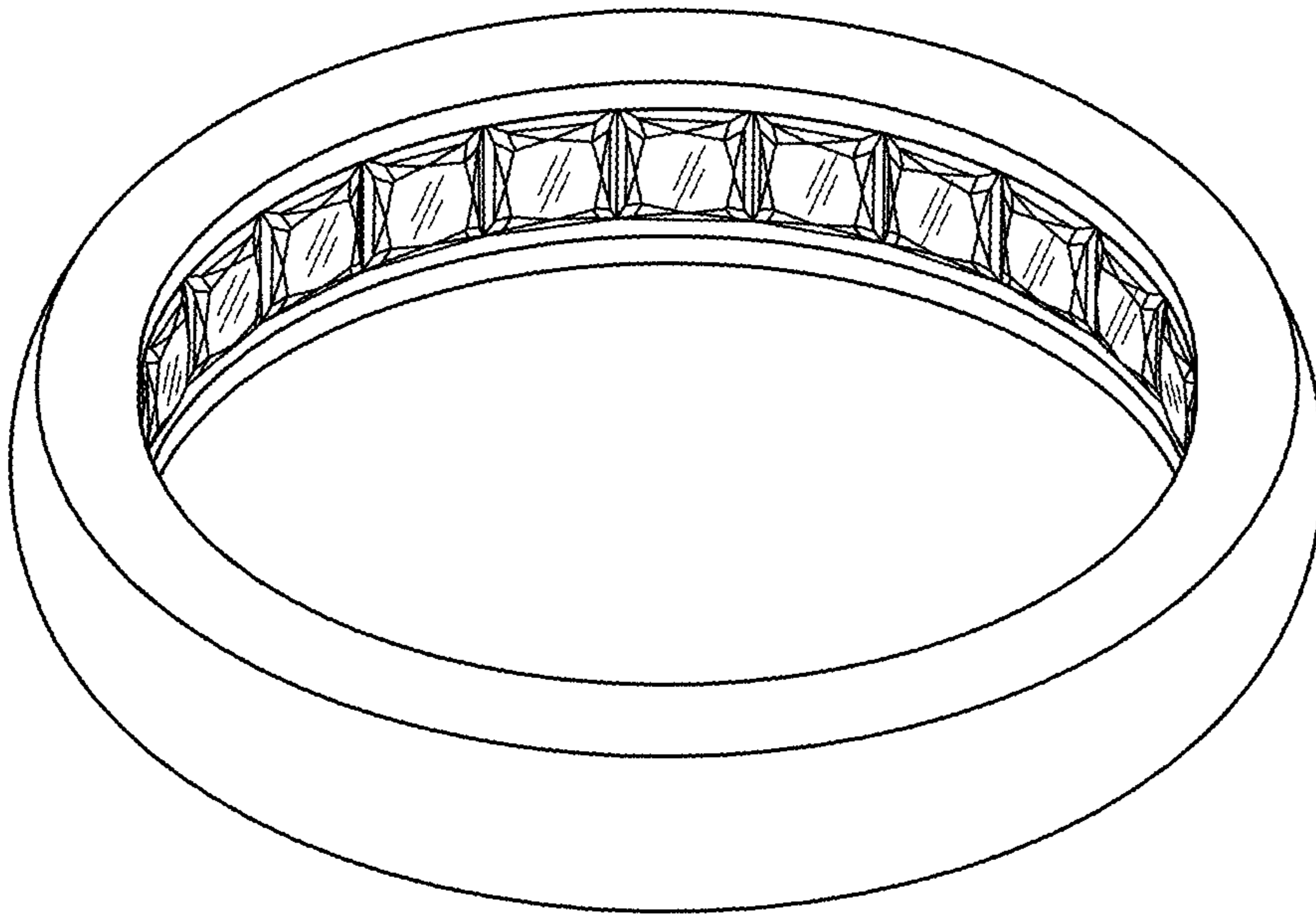


FIG. 5

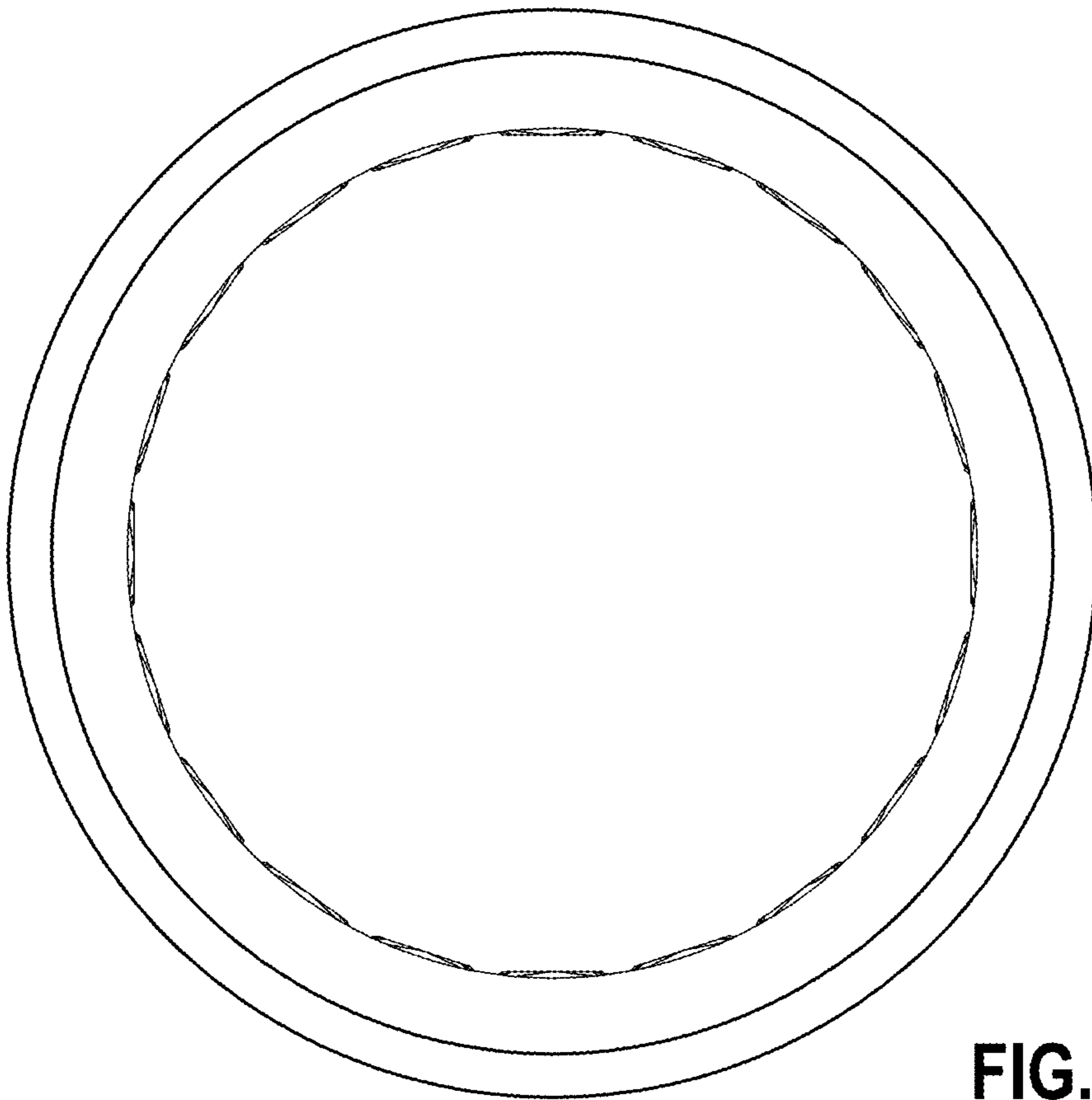


FIG. 6



FIG. 7

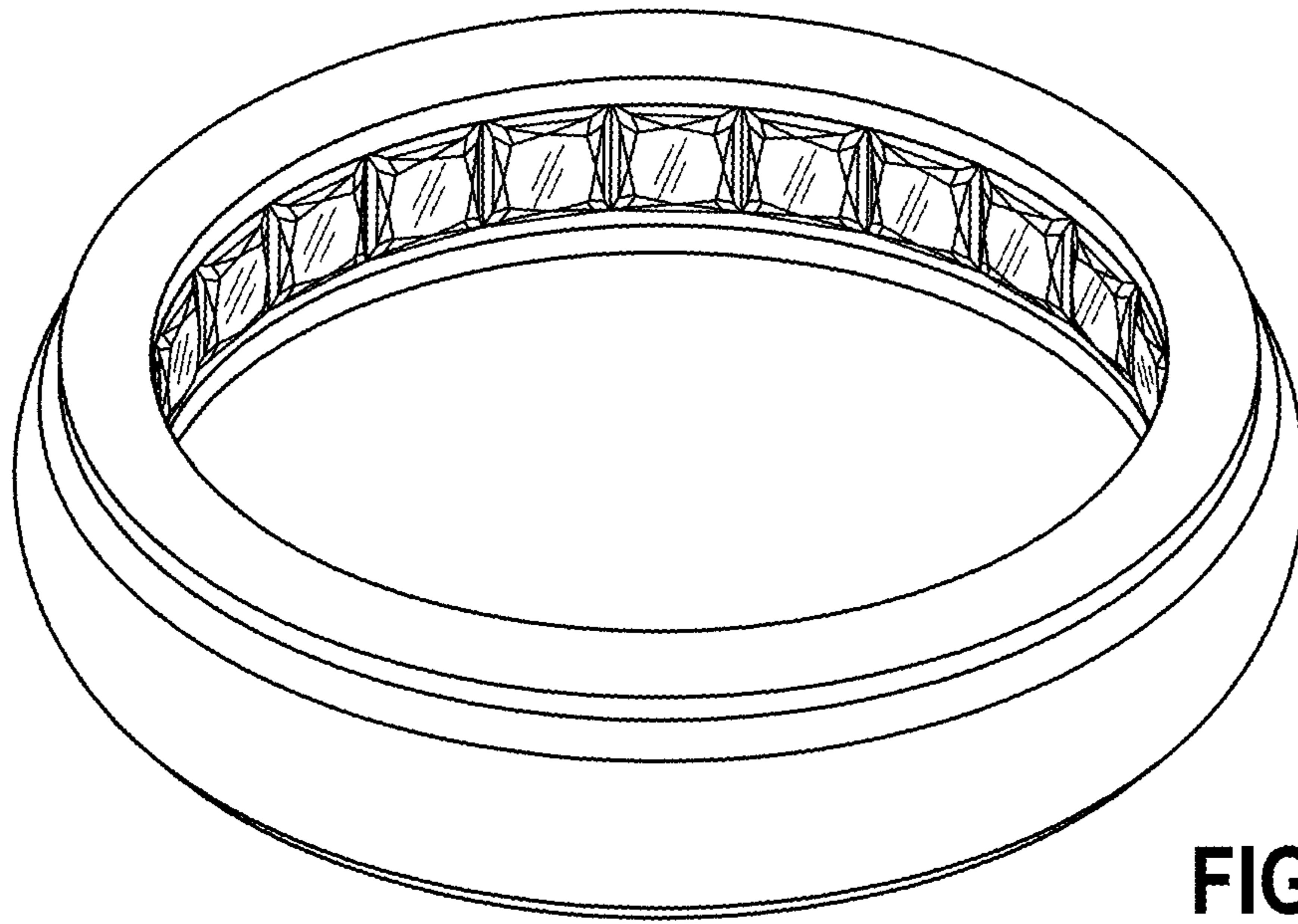


FIG. 8

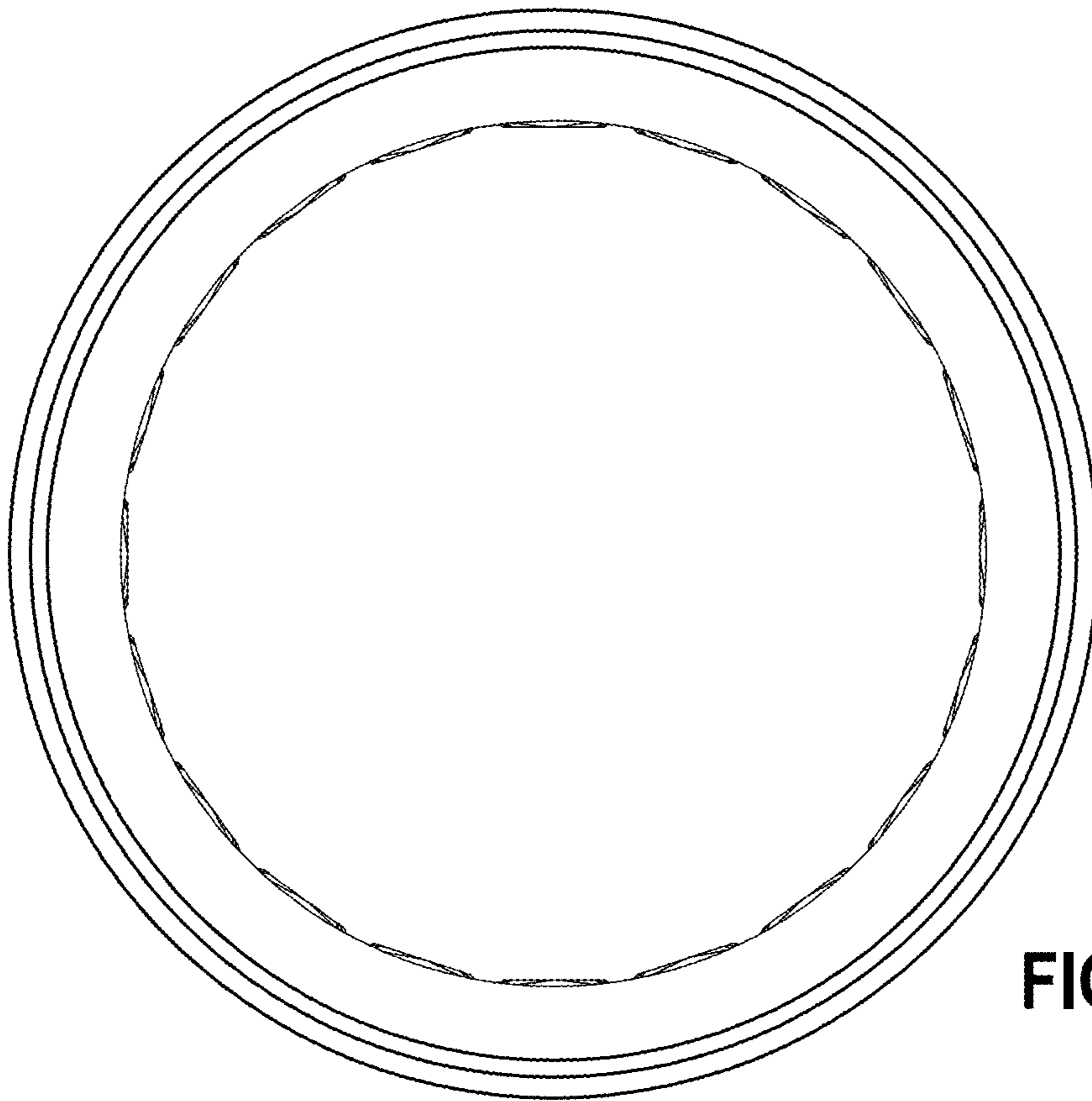


FIG. 9

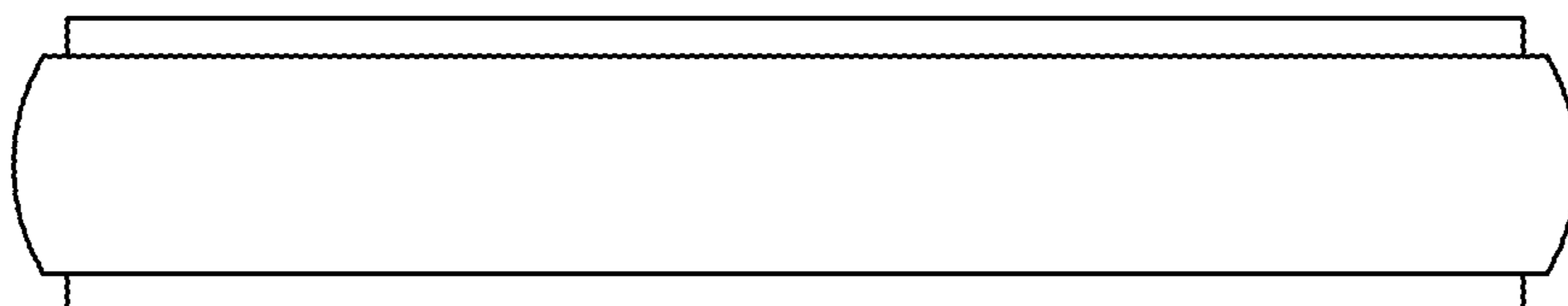


FIG. 10

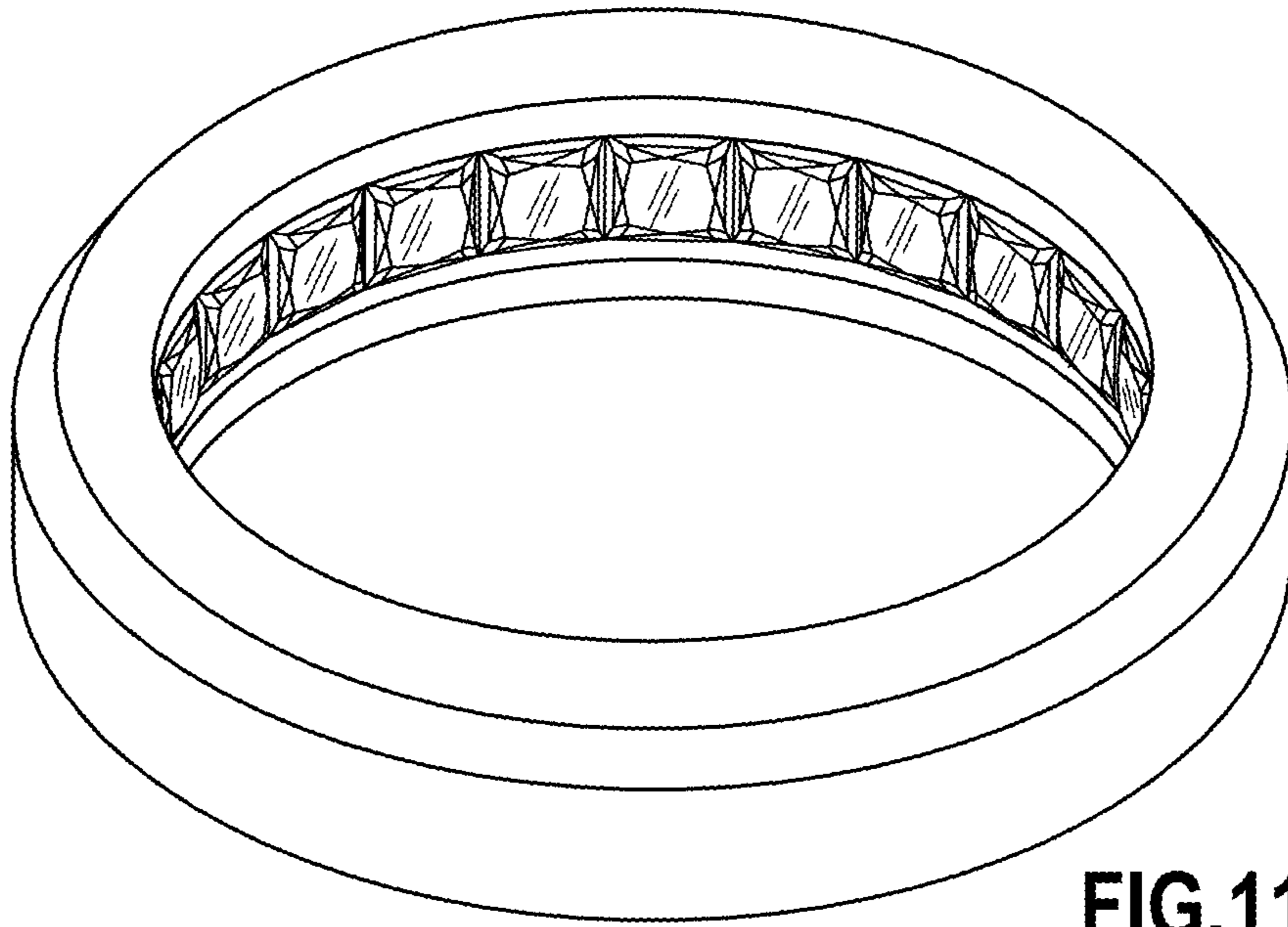


FIG.11

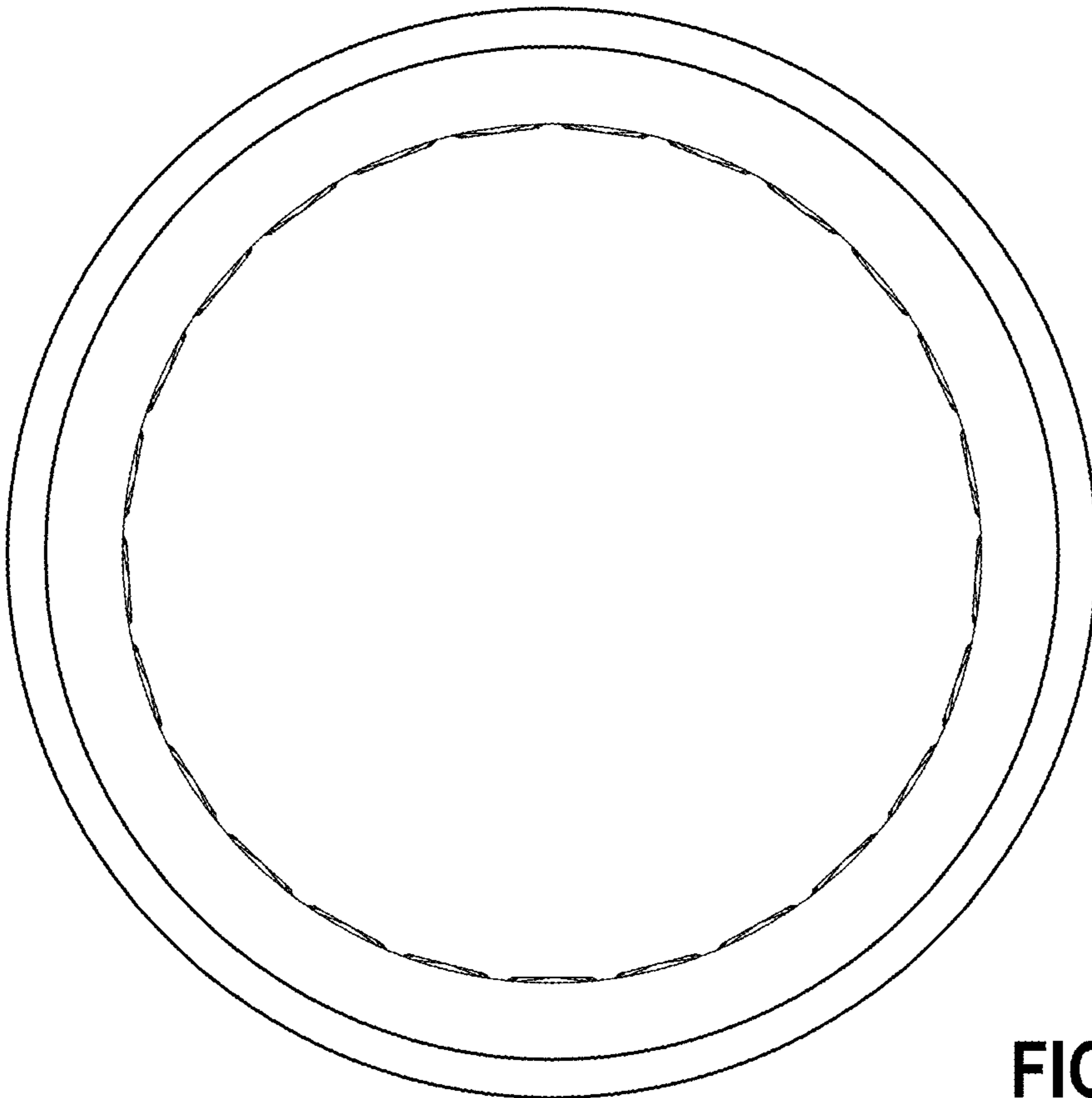


FIG.12

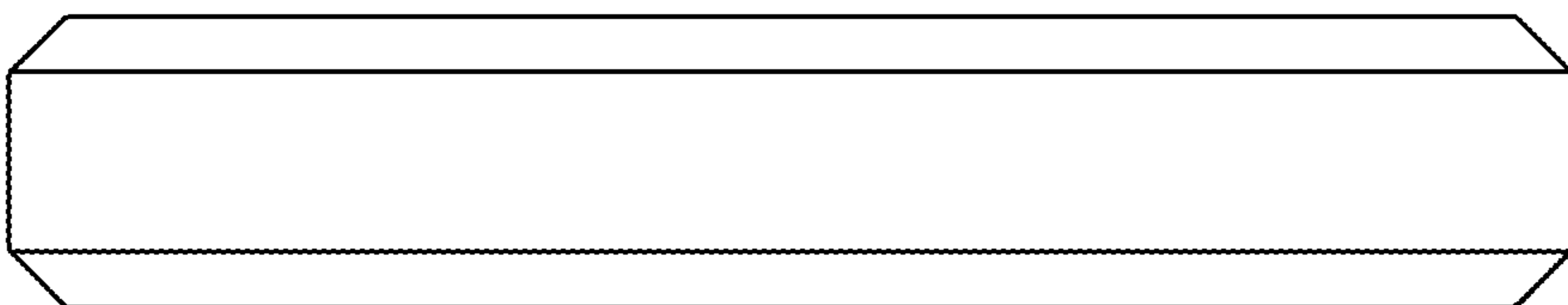


FIG.13

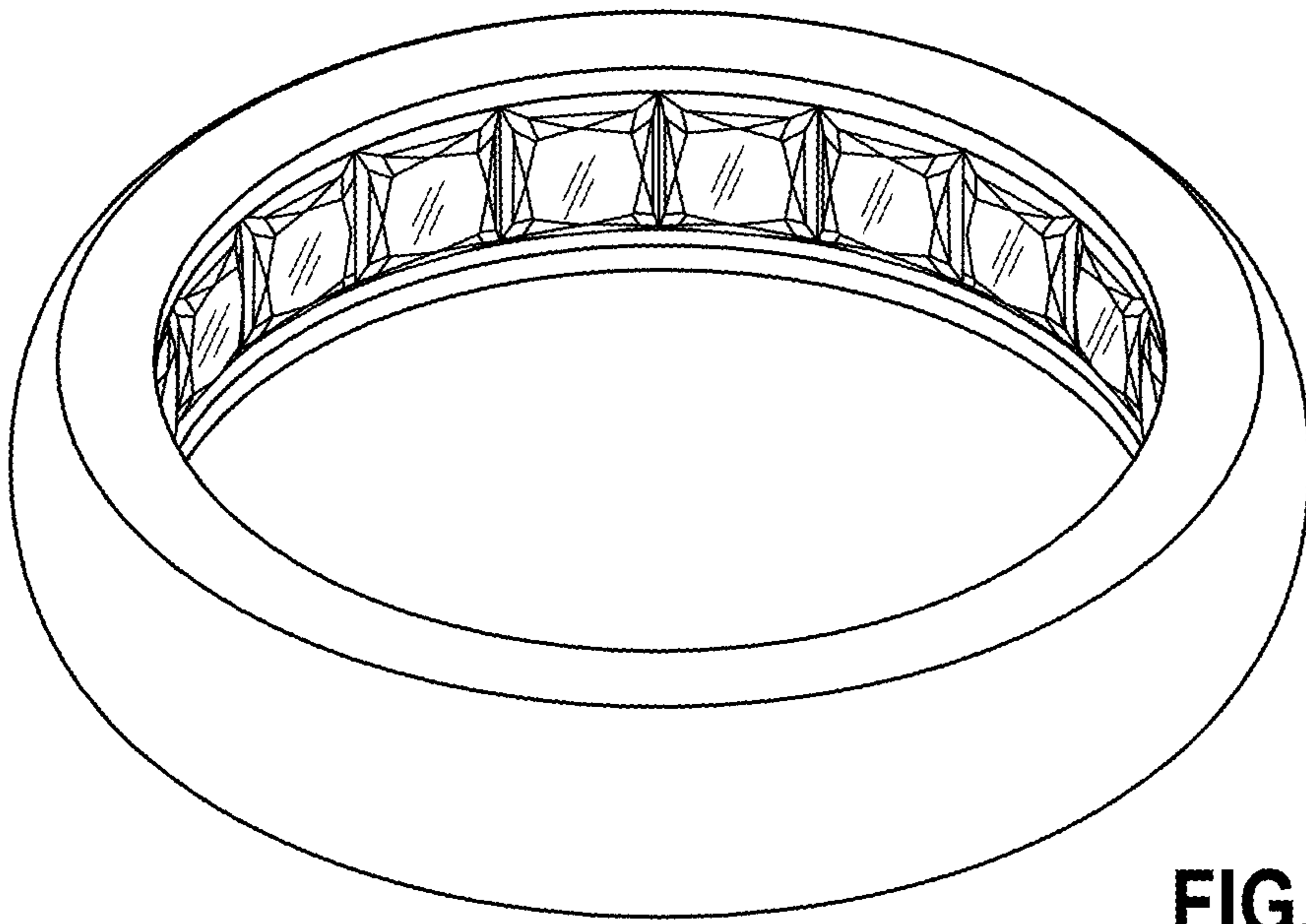


FIG.14

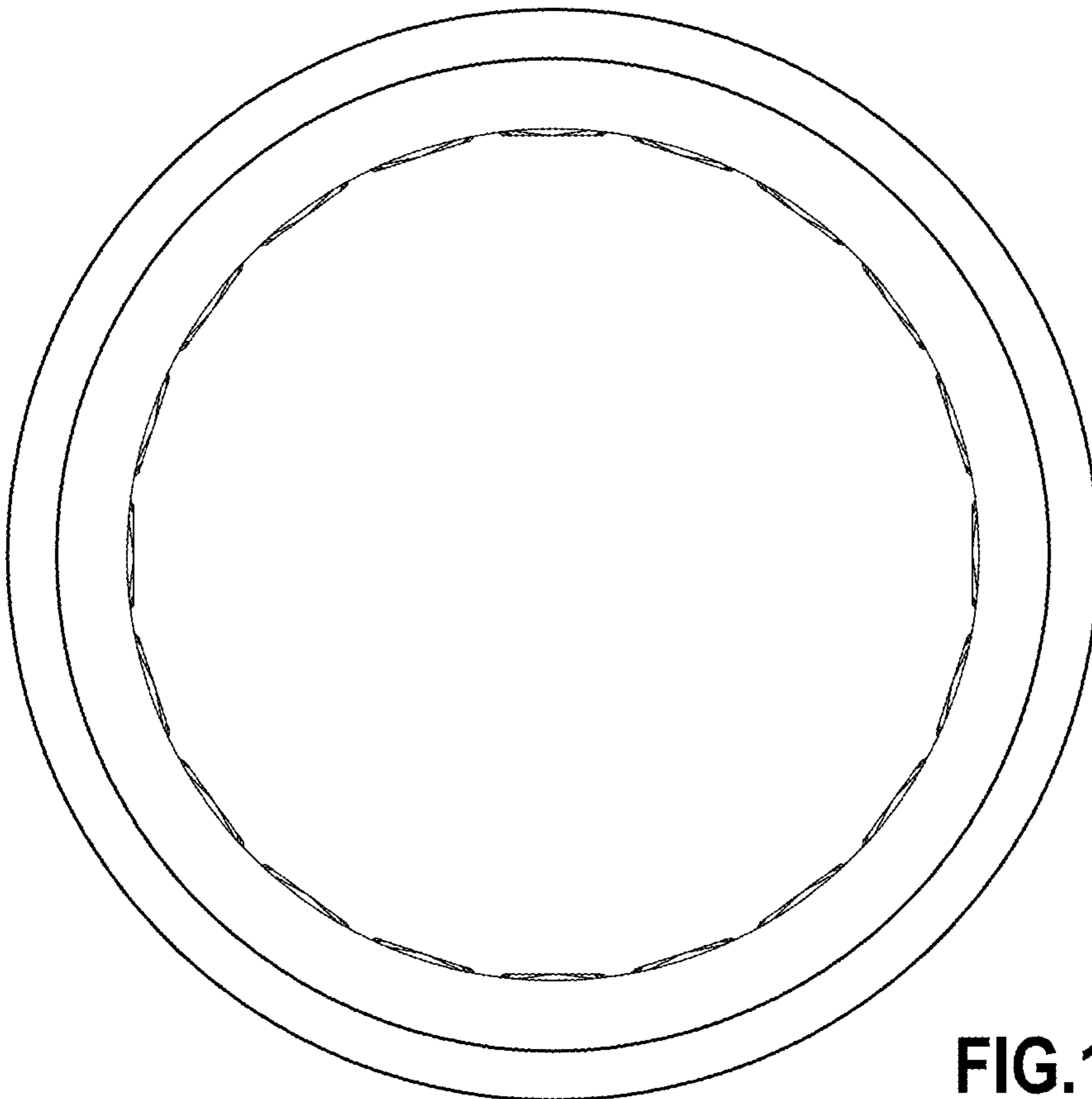


FIG.15

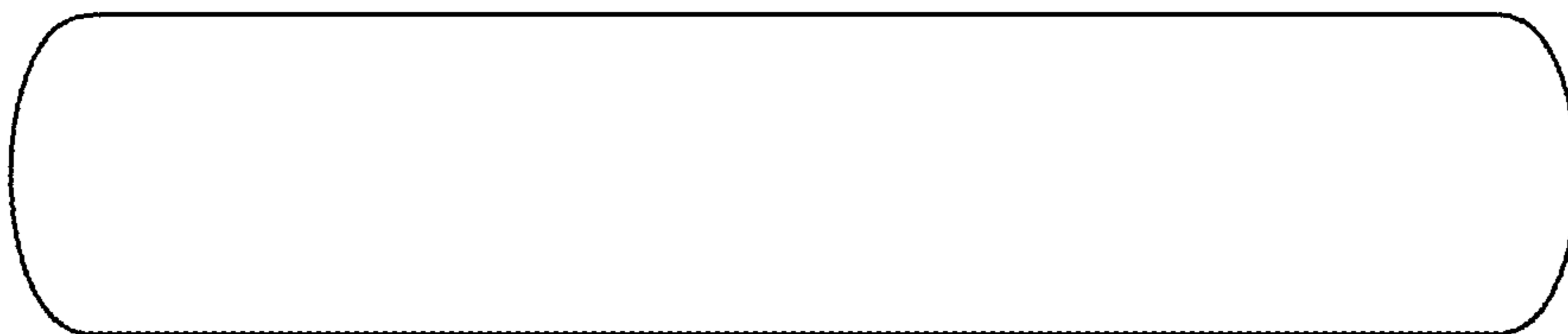


FIG.16