



US00D964201S

(12) **United States Design Patent**  
**Nelkin**

(10) **Patent No.:** **US D964,201 S**

(45) **Date of Patent:** **\*\* Sep. 20, 2022**

(54) **RING WITH INTERIOR BAGUETTE-SHAPED STONES**

(71) Applicant: **Todd Nelkin**, Glen Rock, NJ (US)

(72) Inventor: **Todd Nelkin**, Glen Rock, NJ (US)

(\*\*) Term: **15 Years**

(21) Appl. No.: **29/704,494**

(22) Filed: **Sep. 5, 2019**

(51) **LOC (13) Cl.** ..... **11-01**

(52) **U.S. Cl.**  
USPC ..... **D11/34**

(58) **Field of Classification Search**  
USPC ..... D11/1, 7, 8, 26-39, 79, 91, 92, 86  
(Continued)

(56) **References Cited**

**U.S. PATENT DOCUMENTS**

1,422,819 A \* 7/1922 Blaicher ..... A44C 9/00  
63/15  
D61,614 S \* 10/1922 Weinberg ..... D11/34  
(Continued)

**OTHER PUBLICATIONS**

Demarco Bridal Jewelry Official Blog entry posted Aug. 16, 2012 at <http://www.demarcojewelry.com/blog/mens-designer-diamond-rings/>.

(Continued)

*Primary Examiner* — Melanie Pellegrini

(74) *Attorney, Agent, or Firm* — Ostrager Chong Flaherty & Broitman P.C.

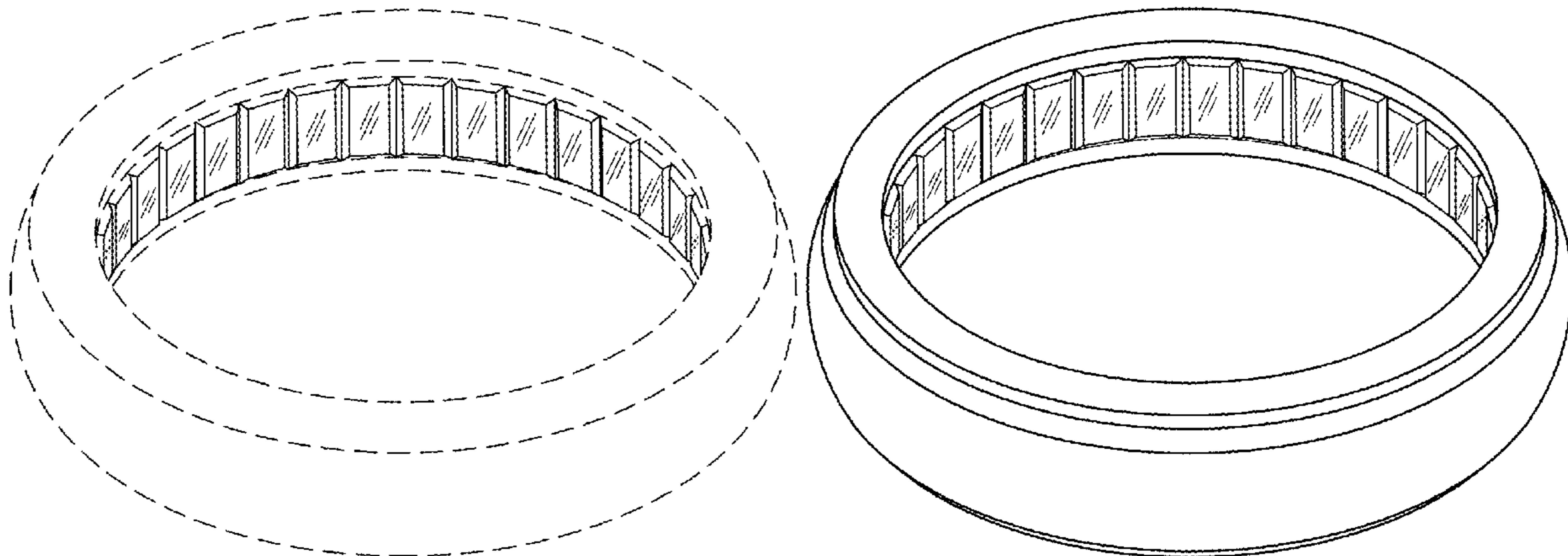
(57) **CLAIM**

I claim the ornamental design for a ring with interior baguette-shaped stones, as shown and described.

**DESCRIPTION**

FIG. 1 is a top and side perspective view of a ring with interior baguette-shaped stones in a use configuration; FIG. 2 is a top and side perspective view of the stones in the ring with interior baguette-shaped stones of FIG. 1 without an outer ring; FIG. 3 is a top view thereof, the bottom view being a mirror image of the top view; FIG. 4 is a side view thereof, all other side views being identical thereto; FIG. 5 is a top and side perspective view of the ring with interior baguette-shaped stones in a use configuration with a first outer ring; FIG. 6 is a top view thereof, the bottom view being a mirror image of the top view; FIG. 7 is a side view thereof, all other side views being identical thereto; FIG. 8 is a top and side perspective view of the ring with interior baguette-shaped stones in a use configuration with a second outer ring; FIG. 9 is a top view thereof, the bottom view being a mirror image of the top view; FIG. 10 is a side view thereof, all other side views being identical thereto; FIG. 11 is a top and side perspective view of the ring with interior baguette-shaped stones in a use configuration with a third outer ring; FIG. 12 is a top view thereof, the bottom view being a mirror image of the top view; FIG. 13 is a side view thereof, all other side views being identical thereto; FIG. 14 is a top and side perspective view of the ring with interior baguette-shaped stones in a use configuration having larger dimensions; FIG. 15 is a top view thereof, the bottom view being a mirror image of the top view; and, FIG. 16 is a side view thereof, all other side views being identical thereto. The broken lines in FIGS. 1-4 depict portions of the ring with interior baguette-shaped stones that form no part of the claimed design.

**1 Claim, 6 Drawing Sheets**



(58) **Field of Classification Search**

CPC ..... A44C 9/00; A44C 9/0007; A44C 9/0014;  
 A44C 9/0023; A44C 9/003; A44C  
 9/0038; A44C 9/0046; A44C 9/0053;  
 A44C 9/0061; A44C 9/0069; A44C  
 9/0076; A44C 9/0084; A44C 9/0092;  
 A44C 9/02; A44C 17/0258; A44C  
 17/0266; A44C 17/0275; A44C 17/0283;  
 A44C 17/02; A44C 17/0208; A44C  
 17/0216; A44C 17/0225; A44C 17/0233;  
 A44C 17/0241; A44C 17/025; A44C  
 17/0288; A44C 17/0291; A44C 1/00;  
 A44C 15/00; A44C 15/0005; A44C  
 15/001; A44C 15/005

See application file for complete search history.

(56) **References Cited**

U.S. PATENT DOCUMENTS

D329,992 S \* 10/1992 Dostourian ..... D11/34  
 D451,046 S \* 11/2001 Itzkowitz ..... D11/26  
 D589,839 S \* 4/2009 Dostourian ..... D11/34  
 D780,018 S \* 2/2017 Rivière ..... D11/34

D951,801 S \* 5/2022 DeVolder ..... D11/34  
 2007/0044509 A1\* 3/2007 Grad ..... A44C 9/00  
 63/28  
 2009/0071192 A1\* 3/2009 Bauman ..... A44C 17/046  
 63/26  
 2017/0049195 A1\* 2/2017 Dholakiya ..... A44C 17/04  
 2018/0168298 A1\* 6/2018 Bassan ..... A44C 17/02

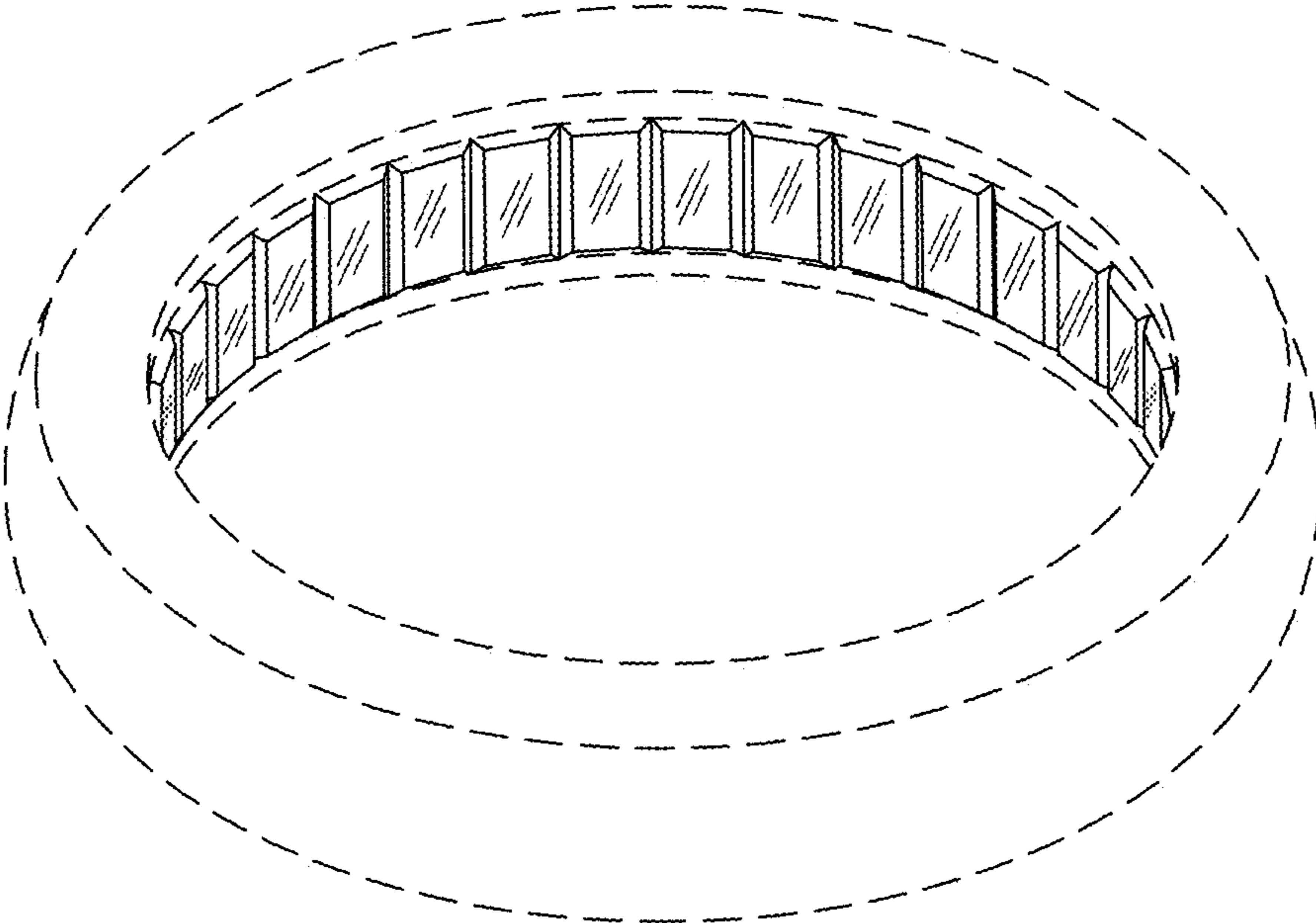
OTHER PUBLICATIONS

Organization of Wedding Blog, “Mens Wedding Band with Diamonds on the Inside”, published Sep. 26, 2016 at <http://Wedeliver-Cancun.info/Mens-Wedding-Band-With-Diamonds-On-The-Inside.Html>.

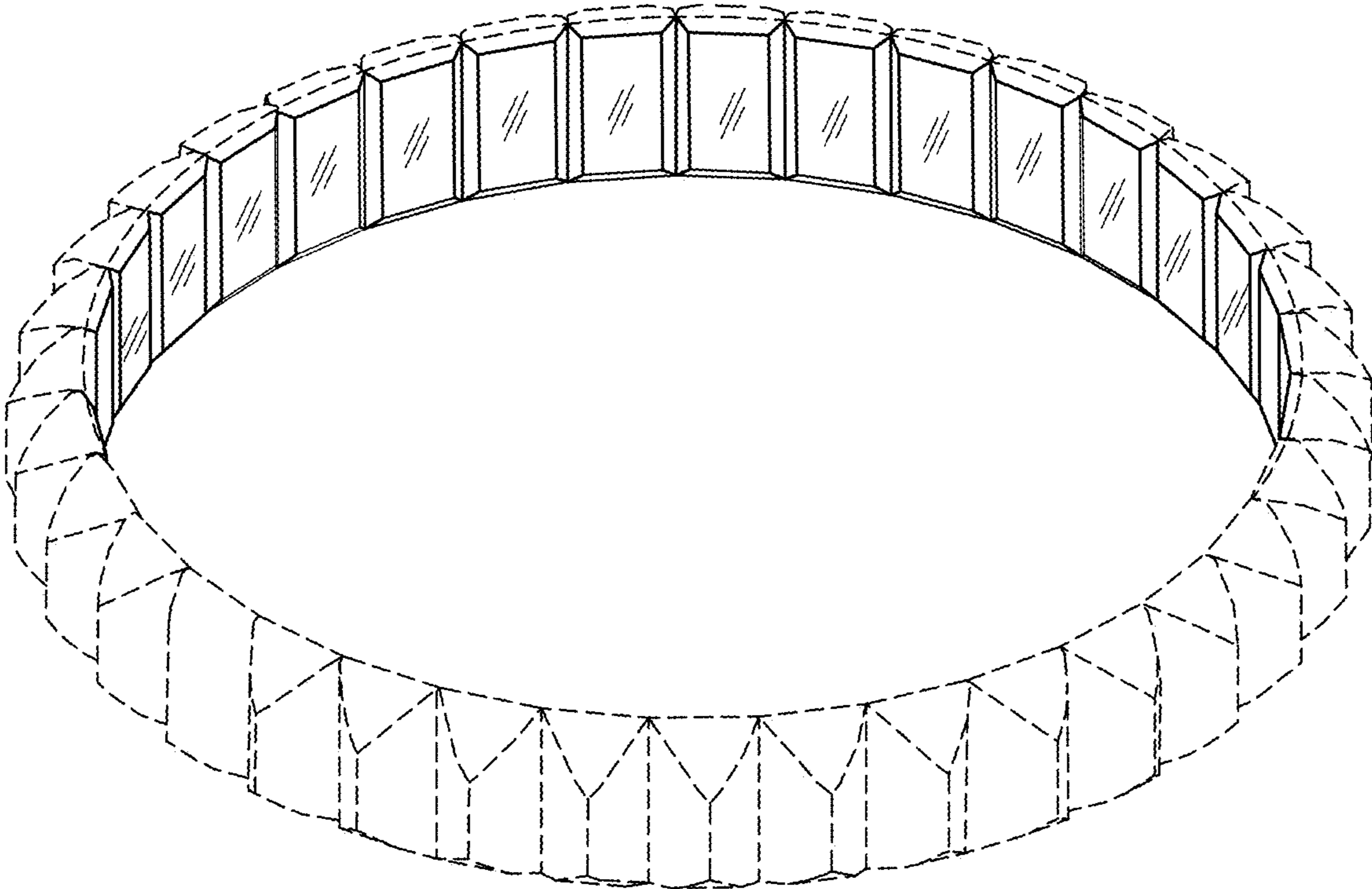
Ellis Jewelers, Men’s Wedding Band with Mesh Pattern Inside and Flat Profile with Bevel Edge, printed from website May 19, 2017, <http://m.ellisfinejewelers.com/artcarved-1/mens-wedding-band/mens-wedding-band-with-mesh-pattern-inside-and-flat-profile-with-bevel-edge-available-in-white> . . . .

Shop Rings—AHAlife, Wedding Ring, printed from website May 19, 2017, [https://www.ahalife.com/shop/product/149000007128?utm\\_source=google&utm\\_source=google&utm\\_medium=cpc&utm\\_medium=cpc&utm\\_campaign=ProductLi](https://www.ahalife.com/shop/product/149000007128?utm_source=google&utm_source=google&utm_medium=cpc&utm_medium=cpc&utm_campaign=ProductLi) . . . .

\* cited by examiner

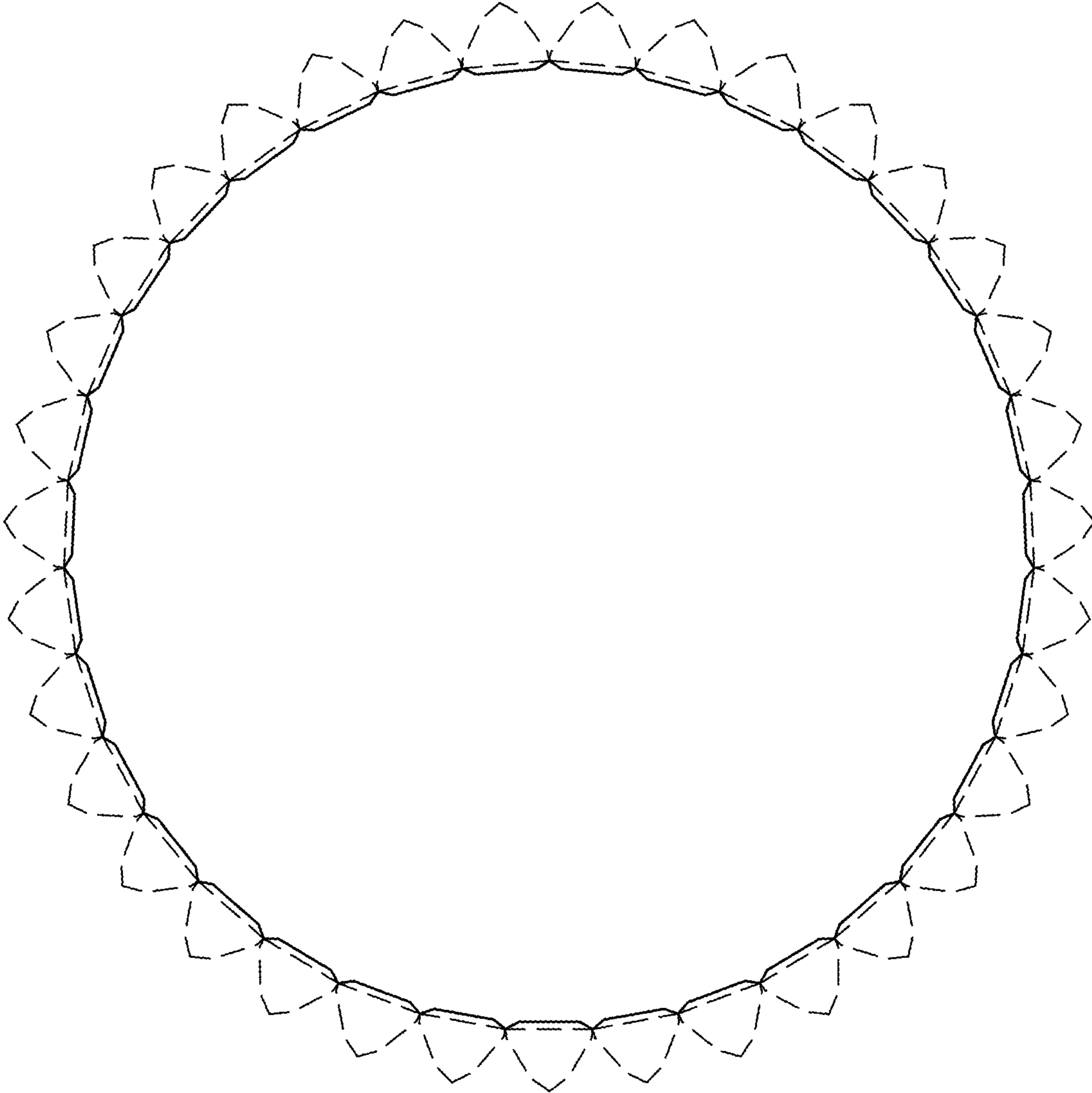


**FIG.1**

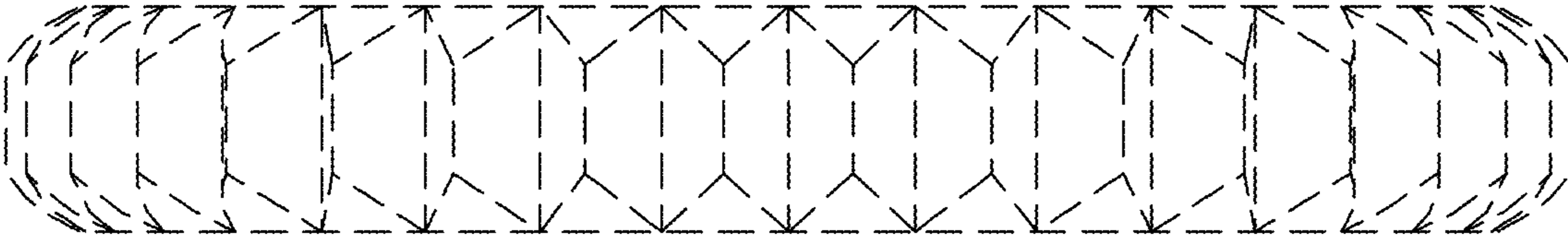


**FIG.2**

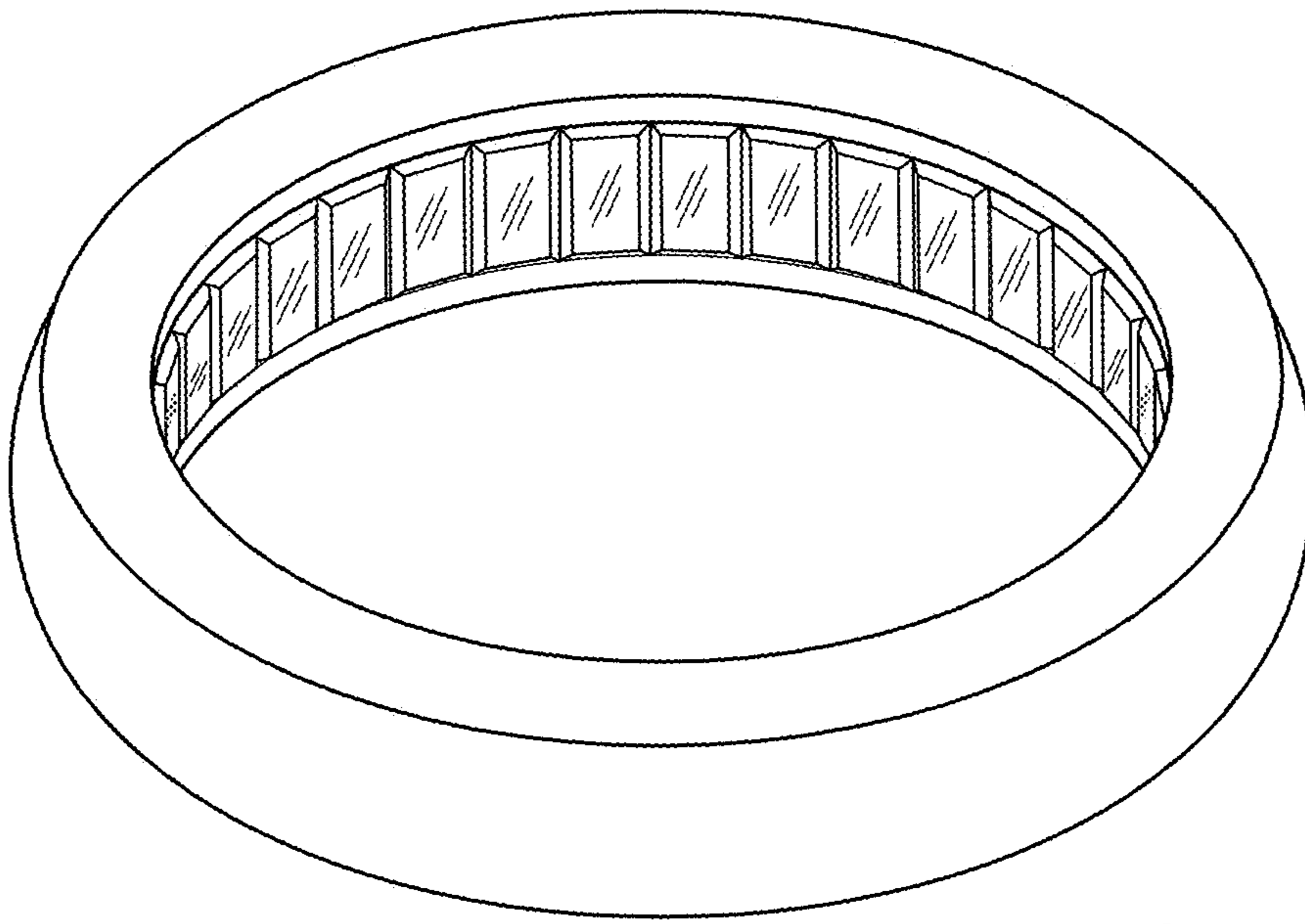




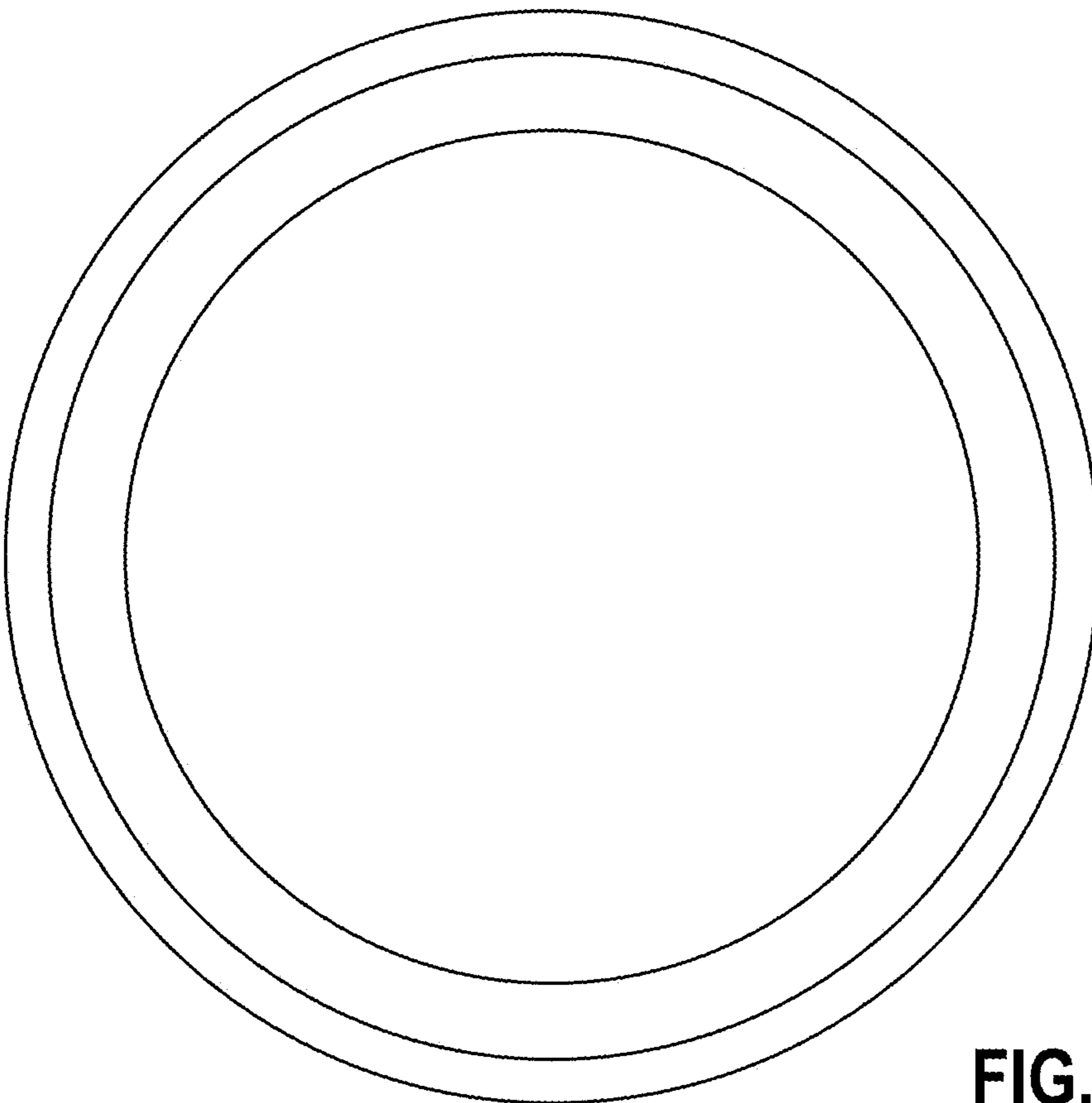
**FIG.3**



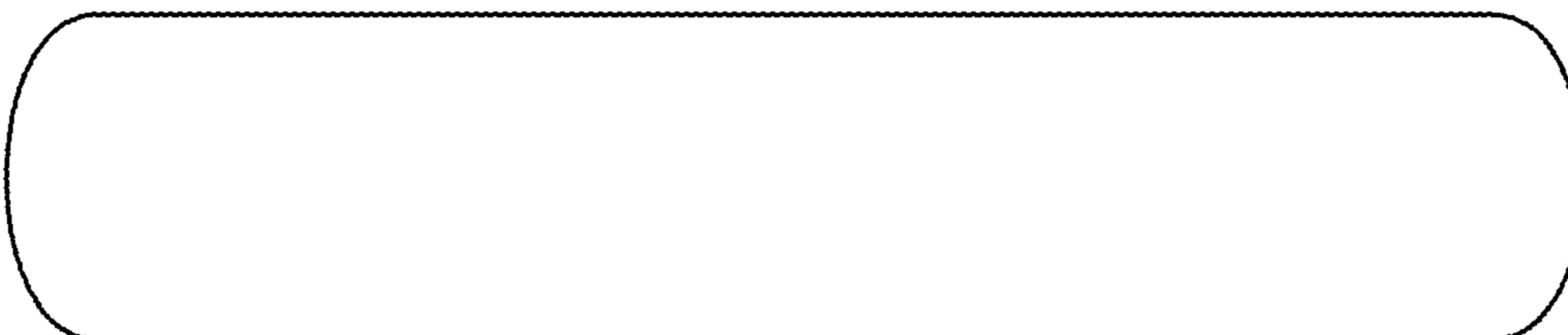
**FIG.4**



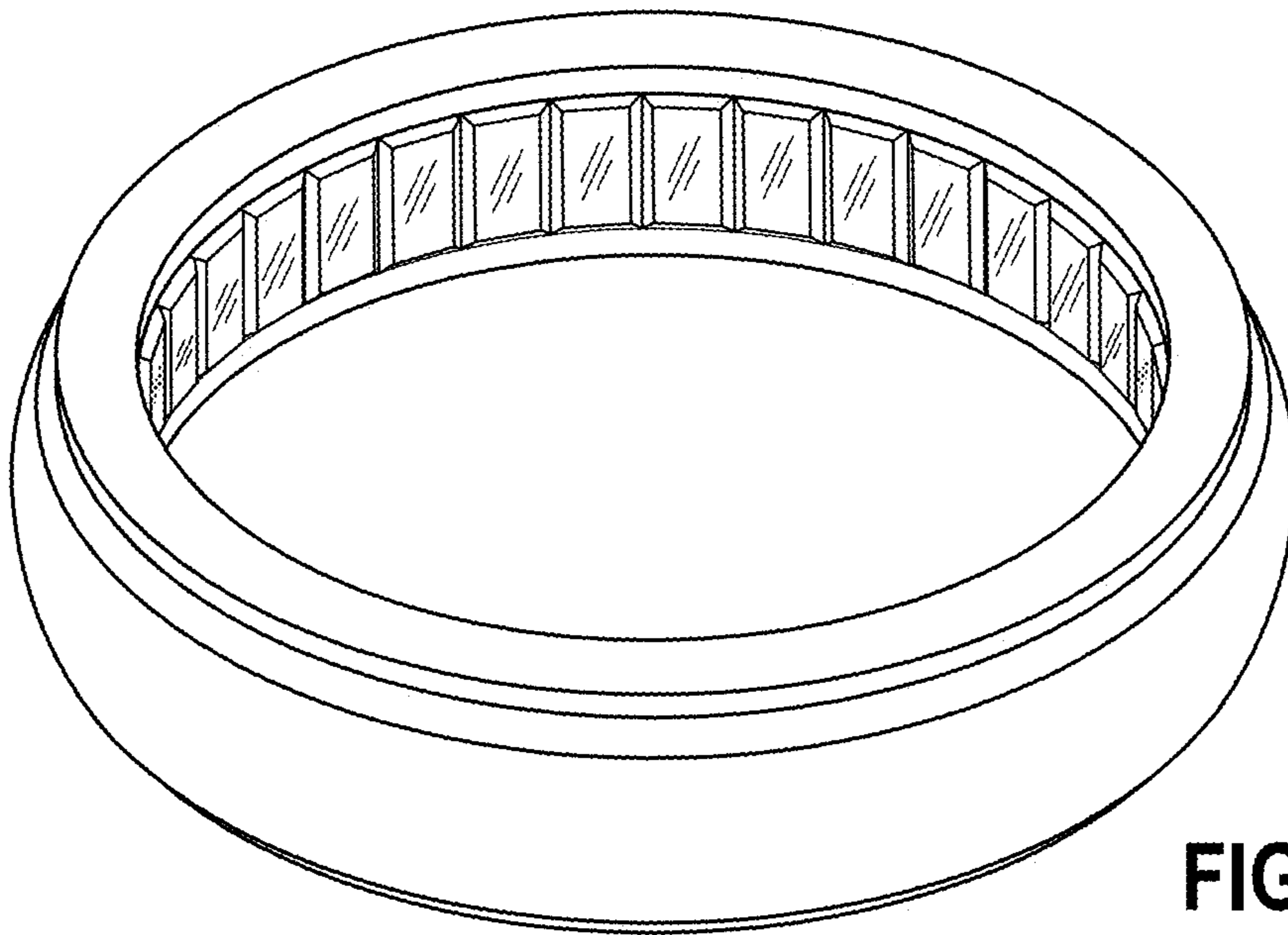
**FIG. 5**



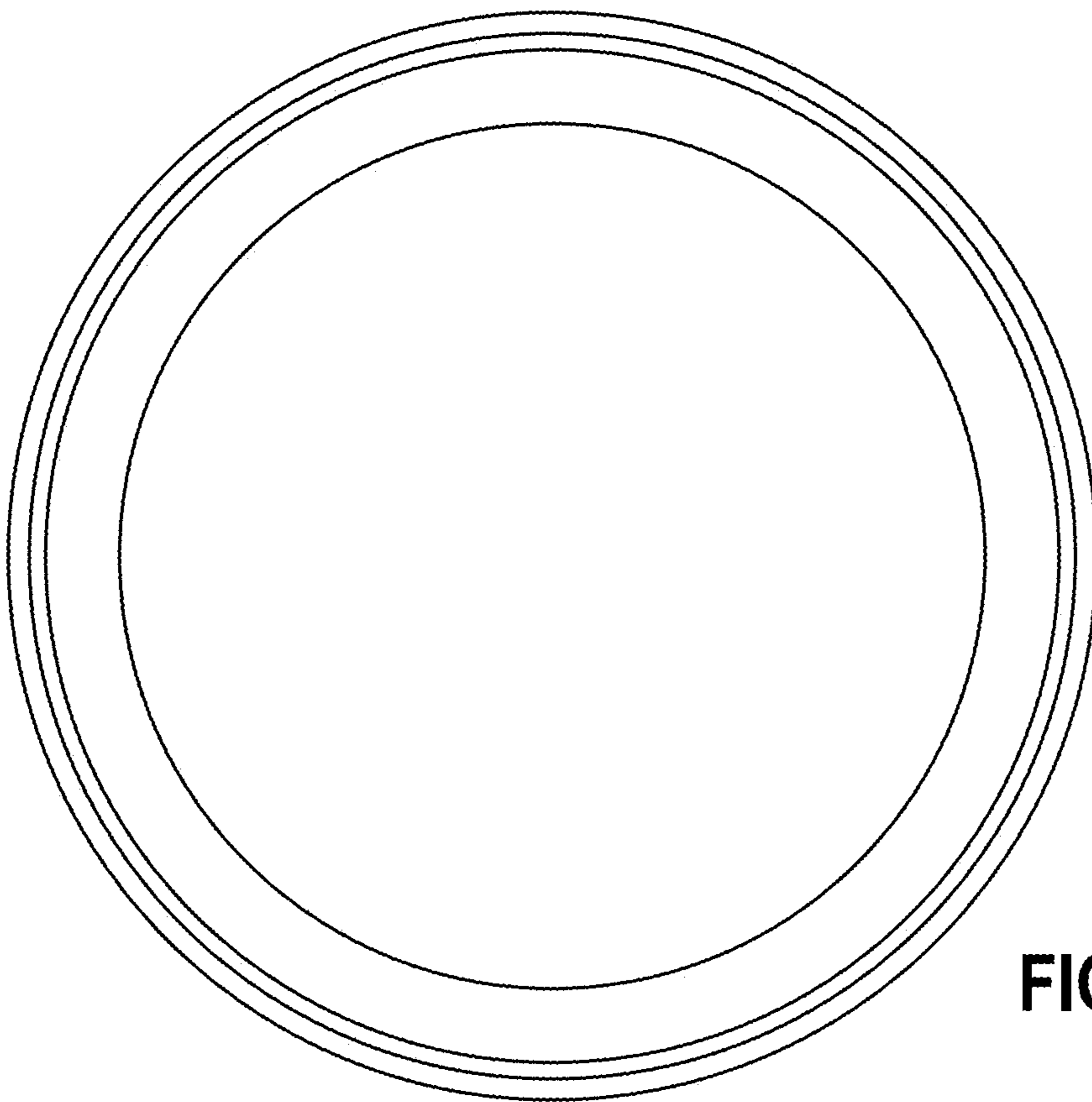
**FIG. 6**



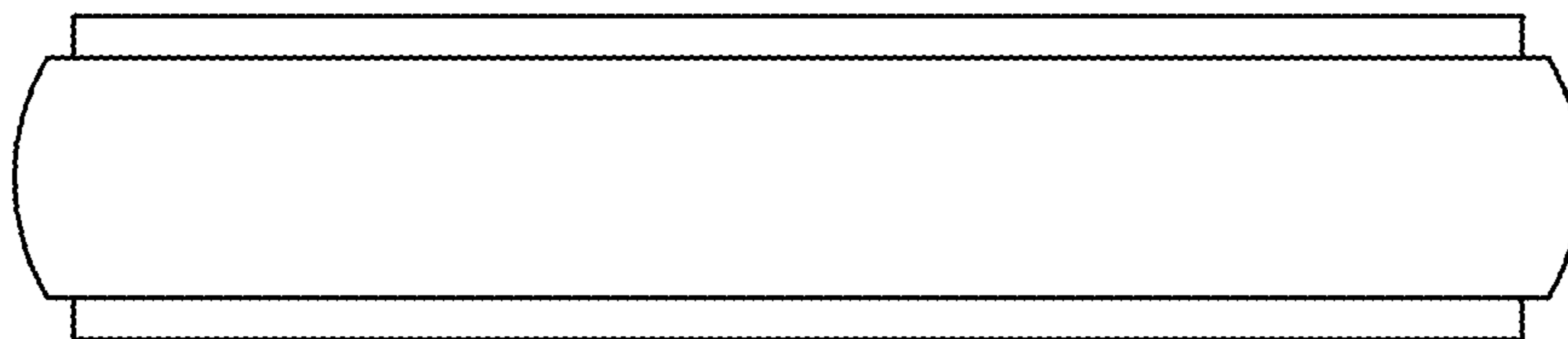
**FIG. 7**



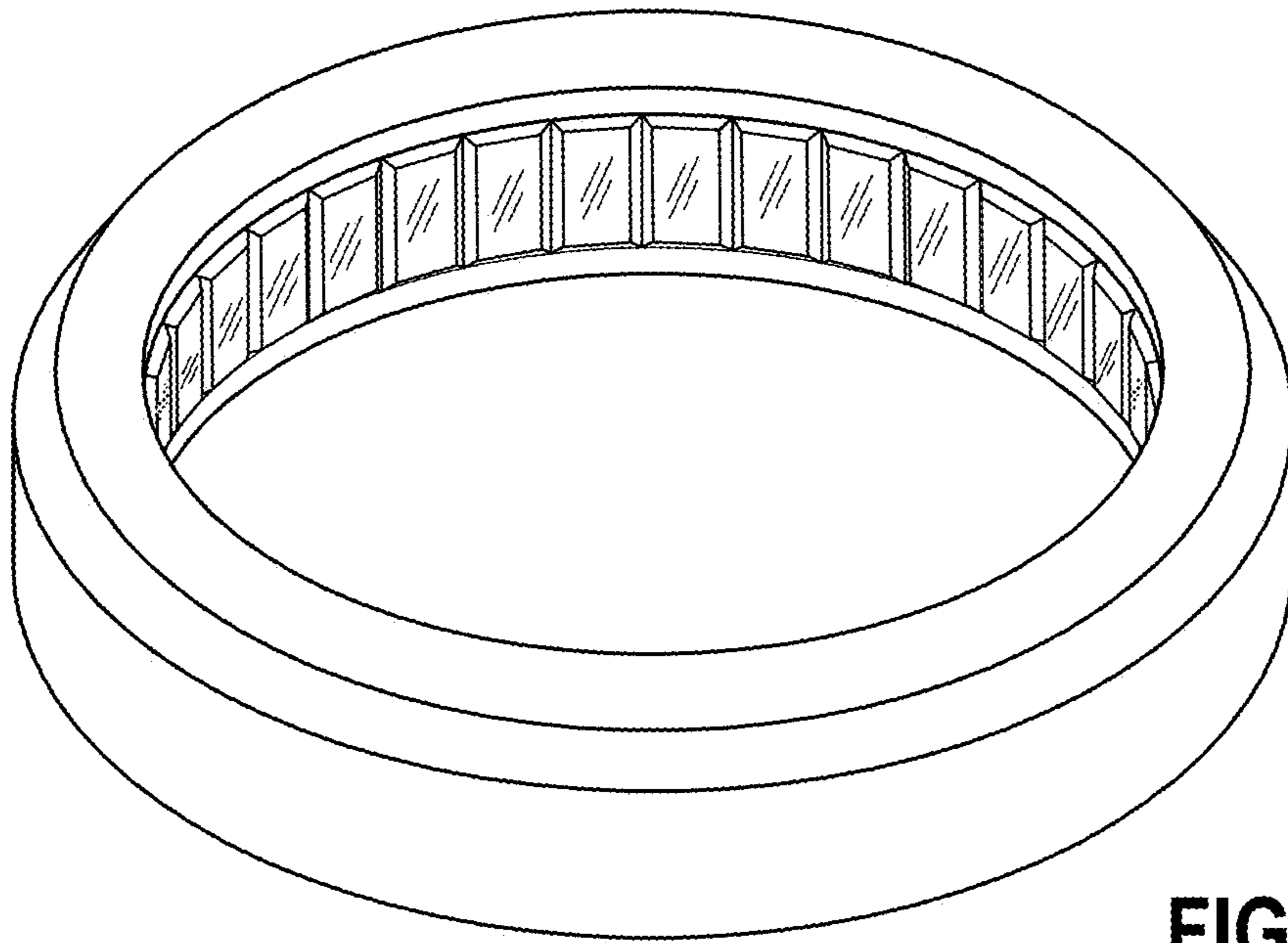
**FIG. 8**



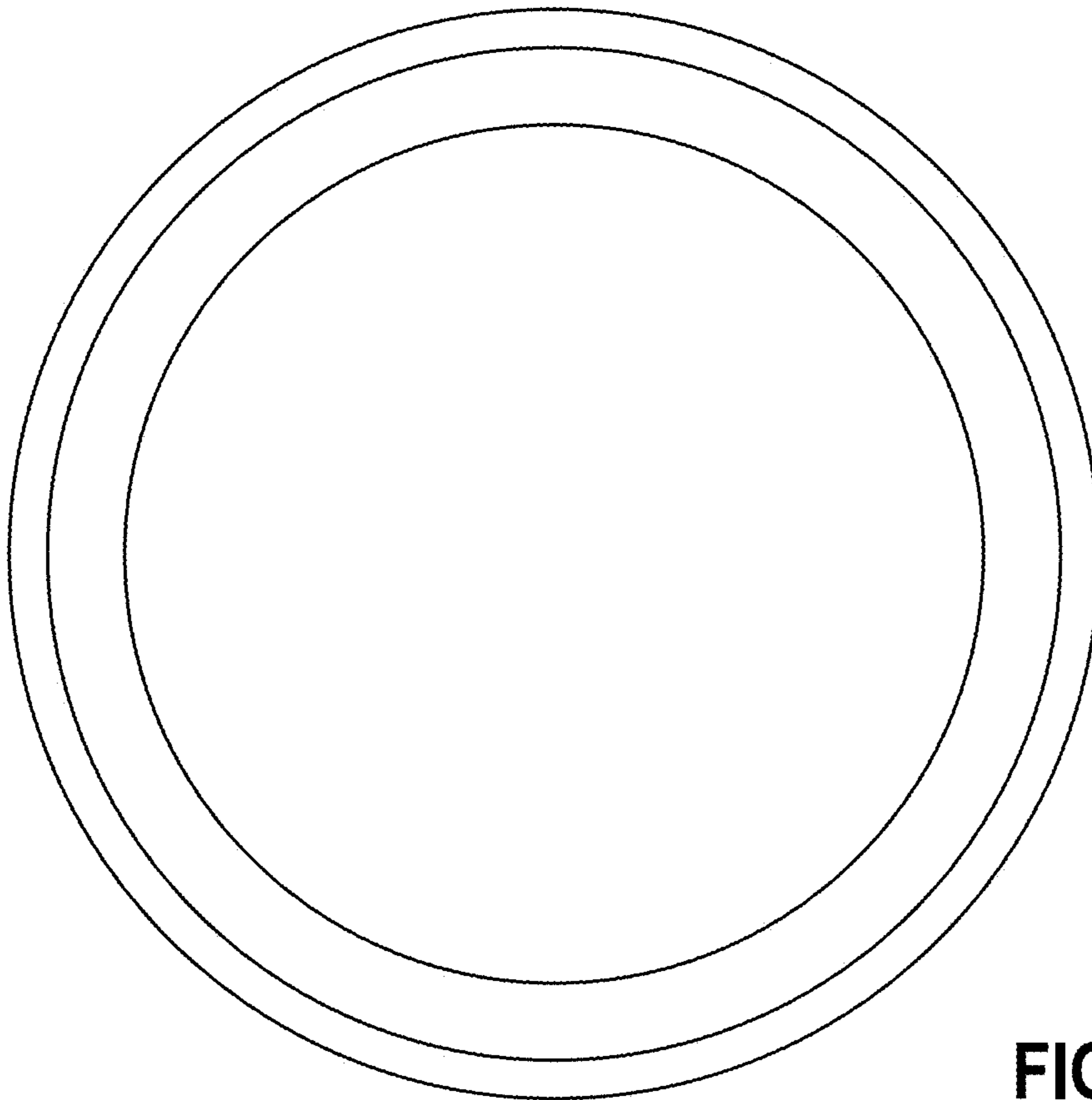
**FIG. 9**



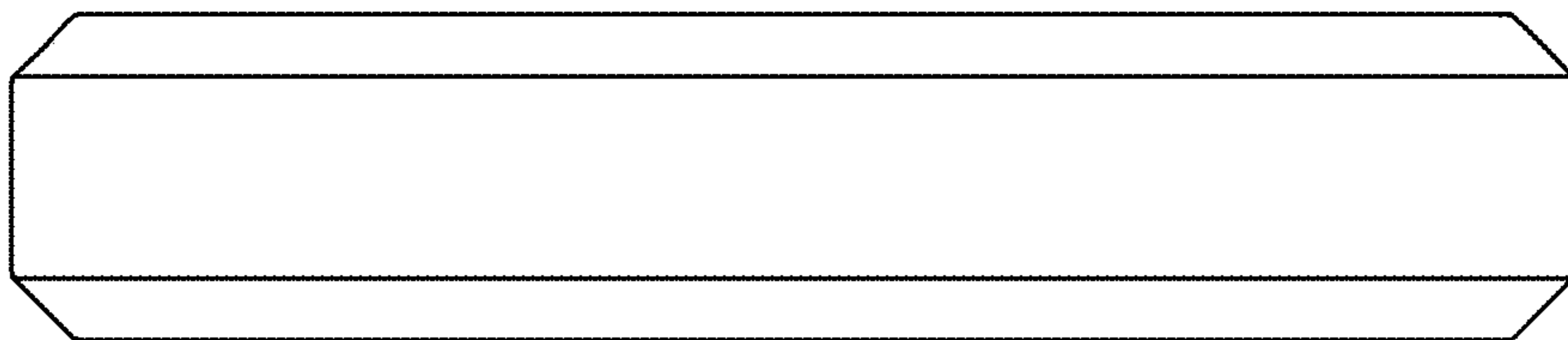
**FIG. 10**



**FIG.11**



**FIG.12**



**FIG.13**

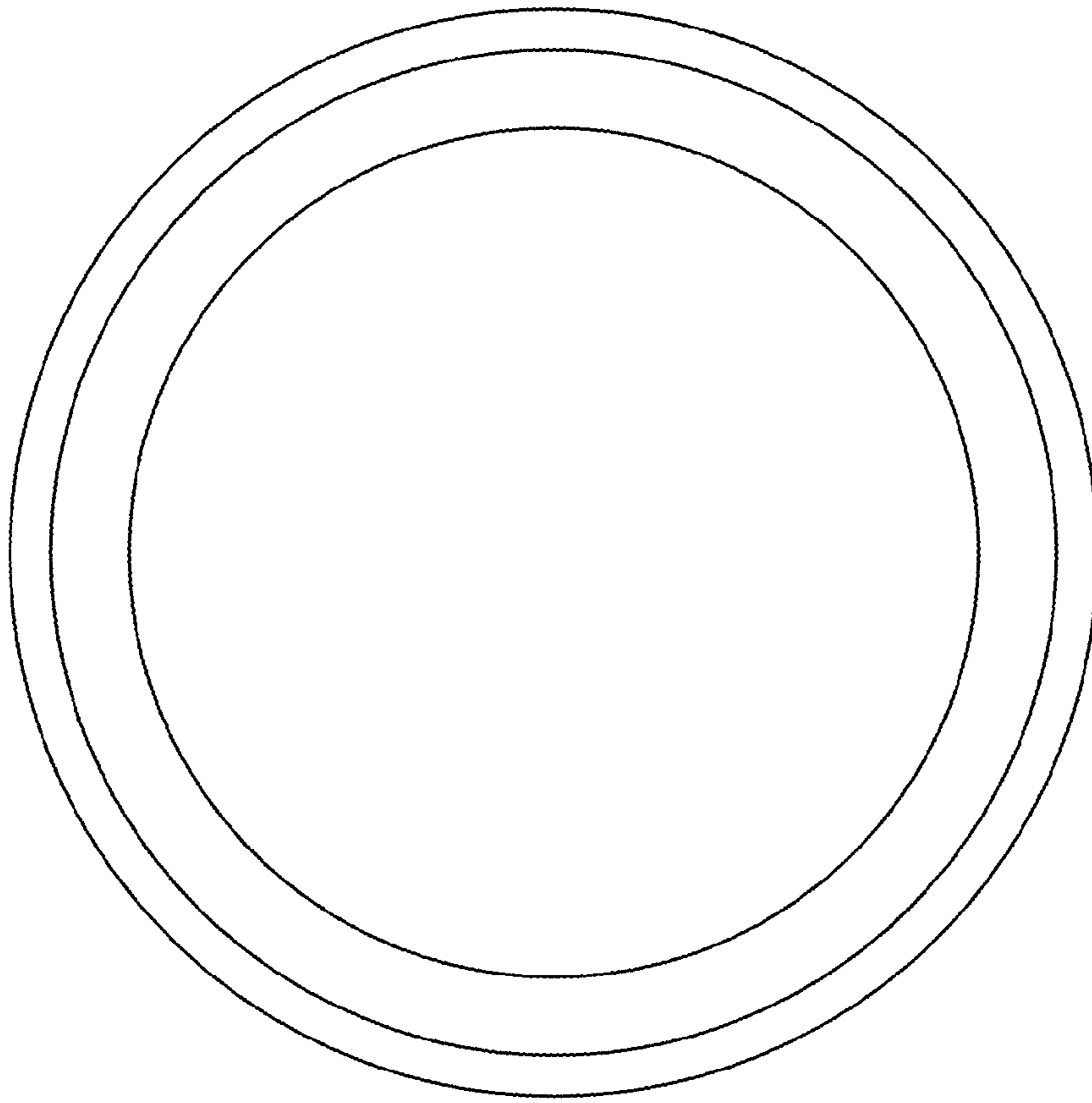


FIG.15

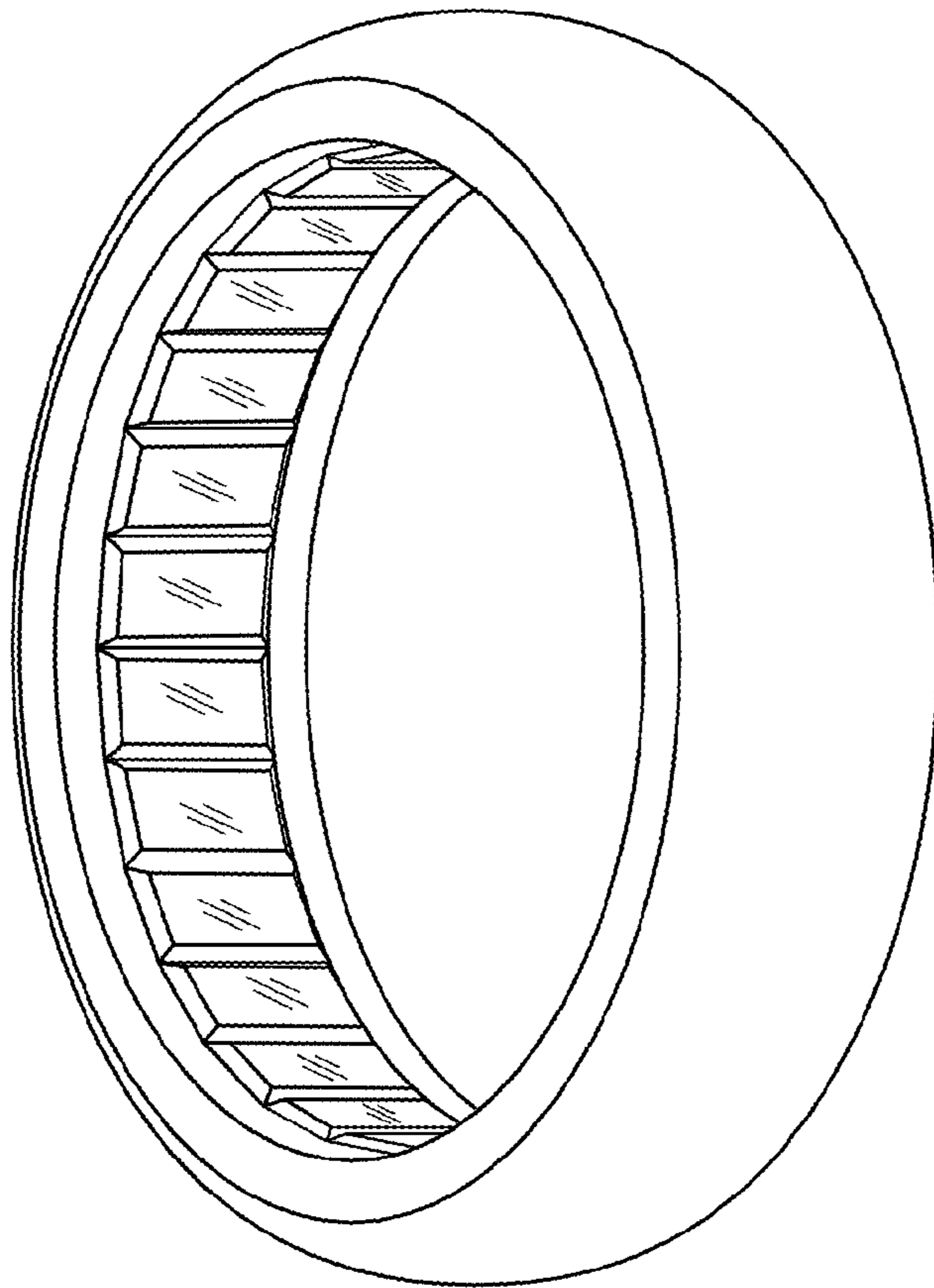


FIG.14

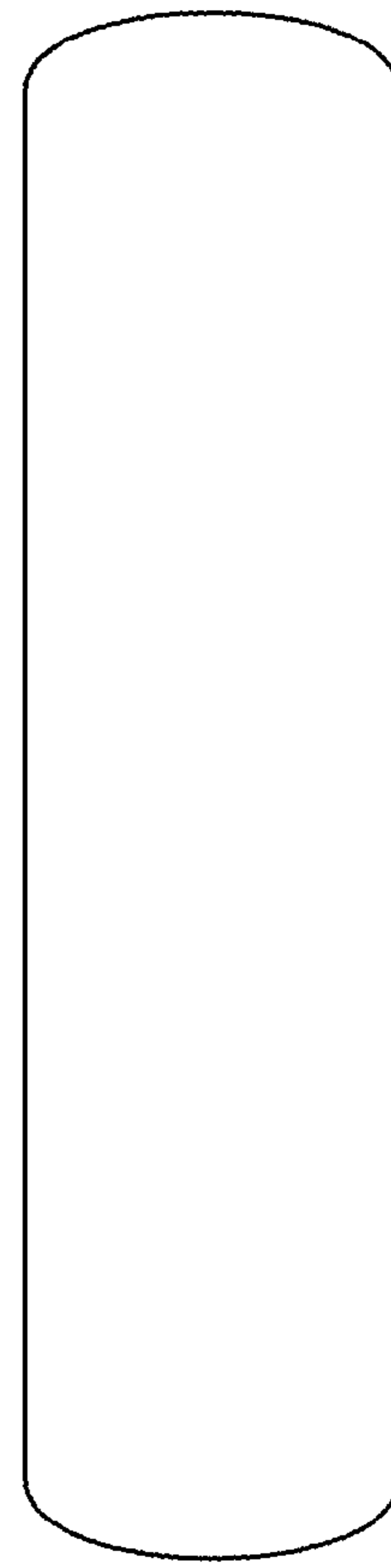


FIG.16