

US00D964199S

(12) **United States Design Patent** (10) **Patent No.:** **US D964,199 S**
Alexander (45) **Date of Patent:** **** Sep. 20, 2022**

(54) **SAFETY BEACON**

(71) Applicant: **Nite Beams Technology, LLC**,
Kalamazoo, MI (US)

(72) Inventor: **Michael Alexander**, Portage, MI (US)

(73) Assignee: **NITE BEAMS TECHNOLOGY, LLC**, Kalamazoo, MI (US)

(**) Term: **15 Years**

(21) Appl. No.: **29/772,468**

(22) Filed: **Mar. 2, 2021**

(51) **LOC (13) Cl.** **10-05**

(52) **U.S. Cl.**
USPC **D10/114.2**

(58) **Field of Classification Search**
USPC D10/104.1, 106.1–106.5, 106.7–106.9,
D10/106.95, 109.1–109.2, 110, 111,
(Continued)

(56) **References Cited**

U.S. PATENT DOCUMENTS

3,806,234 A * 4/1974 Brudy B6Q 7/005
116/63 P
4,555,114 A * 11/1985 Dozier A63F 7/40
473/588

(Continued)

FOREIGN PATENT DOCUMENTS

CA 142745 * 5/2012
EM 008662548-0002 * 9/2021

(Continued)

OTHER PUBLICATIONS

Road Commander, published Jan. 27, 2022 on nitebeams.com,
retrieved from the internet Jun. 21, 2022. <URL: <https://www.nitebeams.com/see-the-road-commander-in-action>> (Year: 2022).*

(Continued)

Primary Examiner — Joseph Kukella
Assistant Examiner — Heather Ann Laaveg Wencil
(74) *Attorney, Agent, or Firm* — Honigman LLP; Andrew S. Chipouras

(57) **CLAIM**

I claim the ornamental design for a safety beacon, as shown and described.

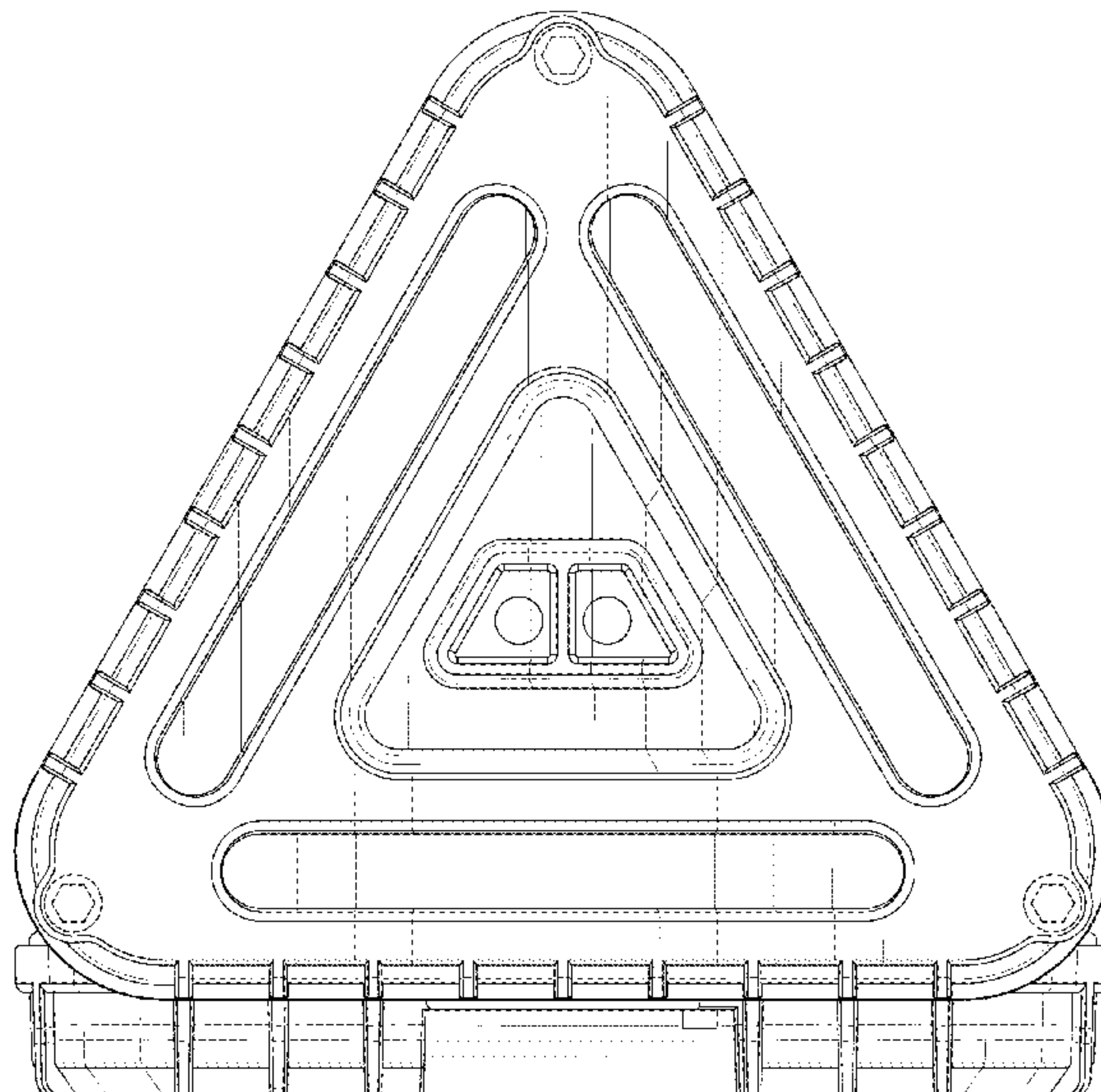
DESCRIPTION

FIG. 1 is a front view of a first embodiment of the claimed design in an open configuration;
FIG. 2 is a rear view thereof;
FIG. 3 is a right side view thereof;
FIG. 4 is a left side view thereof;
FIG. 5 is a top view thereof;
FIG. 6 is a bottom view thereof;
FIG. 7 is a front perspective view thereof;
FIG. 8 is a rear perspective view thereof; and
FIG. 9 is a front perspective view thereof in a closed configuration.

FIG. 10 is a front view of a second embodiment of the claimed design in an open configuration;
FIG. 11 is a rear view thereof;
FIG. 12 is a right side view thereof;
FIG. 13 is a left side view thereof;
FIG. 14 is a top view thereof;
FIG. 15 is a bottom view thereof;
FIG. 16 is a front perspective view thereof;
FIG. 17 is a rear perspective view thereof; and,
FIG. 18 is a front perspective view thereof in a closed configuration.

The broken lines in the drawing views show portions of the safety beacon that form no part of the claimed design. The shade lines in the drawing views show contour and not surface ornamentation of the safety beacon.

1 Claim, 18 Drawing Sheets



US D964,199 S

Page 2

(58) Field of Classification Search

USPC D10/114.1-114.8; D12/190, 401, 406,
D12/412, 414; D13/165; D16/202-203,
D16/214-215; D26/28, 35-36, 52, 72,
D26/102, 104, 118-119, 120, 122
CPC F21W 2102/00-40; F21W 2103/00-60;
A42B 3/0433; A42B 3/044

See application file for complete search history.

(56) References Cited

U.S. PATENT DOCUMENTS

4,875,028 A * 10/1989 Chou B60Q 7/00
116/63 T
D312,423 S * 11/1990 Orlinsky D10/106.1
D332,067 S * 12/1992 Fu D10/114.3
D349,467 S * 8/1994 Halaby D10/114.1
D353,907 S * 12/1994 Doria D26/37
5,627,513 A * 5/1997 Weed B60Q 7/00
116/63 P
D391,881 S * 3/1998 Youseph D10/113.4
D409,515 S * 5/1999 Chen D10/113.4
6,839,001 B1 * 1/2005 Bonin B60Q 7/00
116/63 P
D544,006 S * 6/2007 Pinchot D15/139
D544,804 S * 6/2007 Chen D10/113.4
D551,378 S * 9/2007 Nunes D26/73
D594,438 S * 6/2009 Wada B60Q 7/00
D14/149
D601,884 S * 10/2009 Andre D9/430
D628,218 S * 11/2010 Tommassini D15/138
D640,227 S * 6/2011 Wada D14/149
D692,606 S * 10/2013 Schrimmer B60Q 7/005
D26/72
D716,674 S * 11/2014 Herzl D10/53
D784,307 S * 4/2017 Yoon D14/240

D817,537 S * 5/2018 Clark B60Q 7/00
D26/88
D907,704 S * 1/2021 Huang D21/333
D932,703 S * 10/2021 Pae D28/78
2004/0046678 A1 * 3/2004 Grady, Jr. B60Q 7/00
340/815.45
2015/0114281 A1 4/2015 Bartuli et al.

FOREIGN PATENT DOCUMENTS

KR 101314937 B1 10/2013
KR 3020180061645 * 10/2019
WO 2017022907 A1 9/2017

OTHER PUBLICATIONS

NiteBeams LED Safety Triangle, no publish date retrieved from the internet Jun. 21, 2022 <URL: <https://zips.com/parts-detail/nitebeams-led-safety-triangle-work-light-nb-nbw101>> (Year: 2022).*

Enshui Safety Triangle, reviewed on May 2, 2022 https://www.amazon.com/ENSHUI-Multifunctional-Rechargeable-Reflective-Breakdowns/dp/B09SYS6S4L/ref=pd_rhf_cr_s_pd_sbs_rvi_sccl_1_8/132-0290771-2897866 (Year: 2022).*

HurryBolt Large Multifunctional Tripod Triangle 3 COB LED Light Solar USB Rechargeable Working Lamp, Warning Lights, Emergency Light, USB Intelligent Charging 7709 (retrieved from internet Jan. 18, 2021 at <https://www.lazada.com.my/products/hurrybolt-large-multifunctional-tripod-triangle-3-cob-led-light-solar-usb-rechargeable-working-lamp-warning-lights-emergency-light-usb-intelligent-charging-7709-i759242994.html>).

Flypc Red Emergency Led Light Road Safety Triangle Warning Beacon Emergency Blinking Warning Lights Danger Signal Universal Auto Truck with tripod (Red) (retrieved from internet Jan. 18, 2021 at <https://www.amazon.com/Flypc-Emergency-Triangle-Blinking-Universal/dp/B07JFFFVLR>).

* cited by examiner

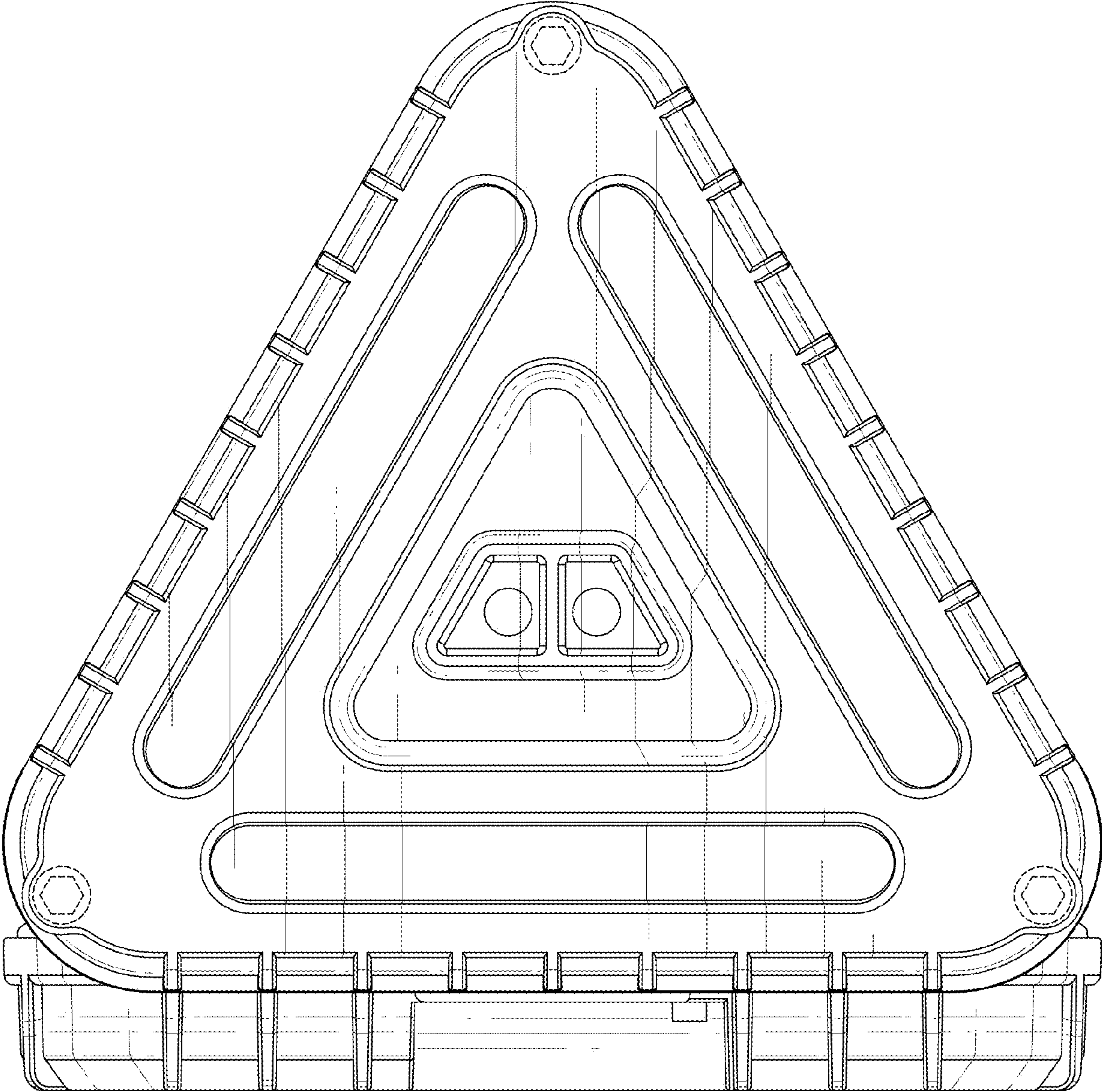


Fig-1

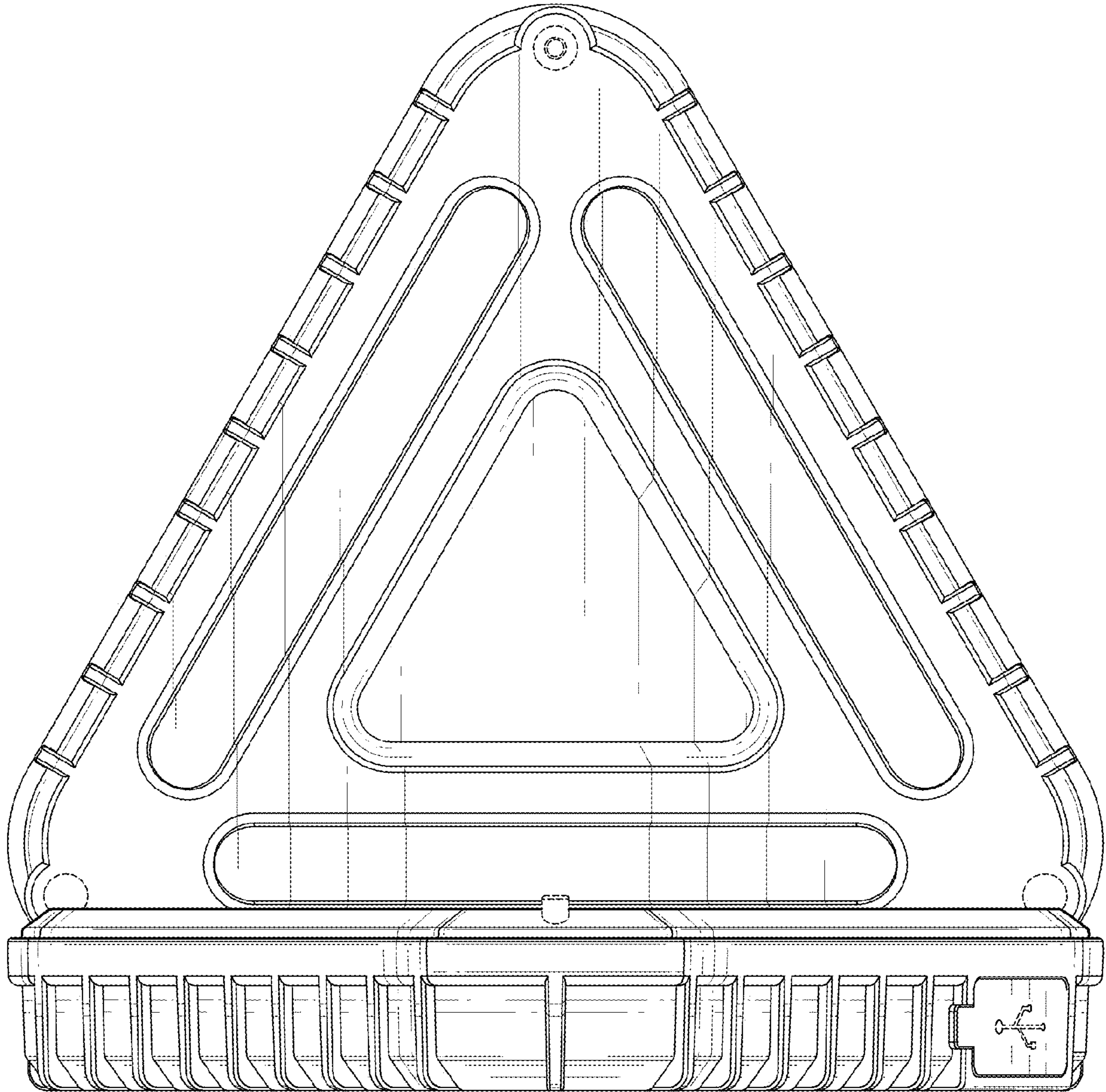
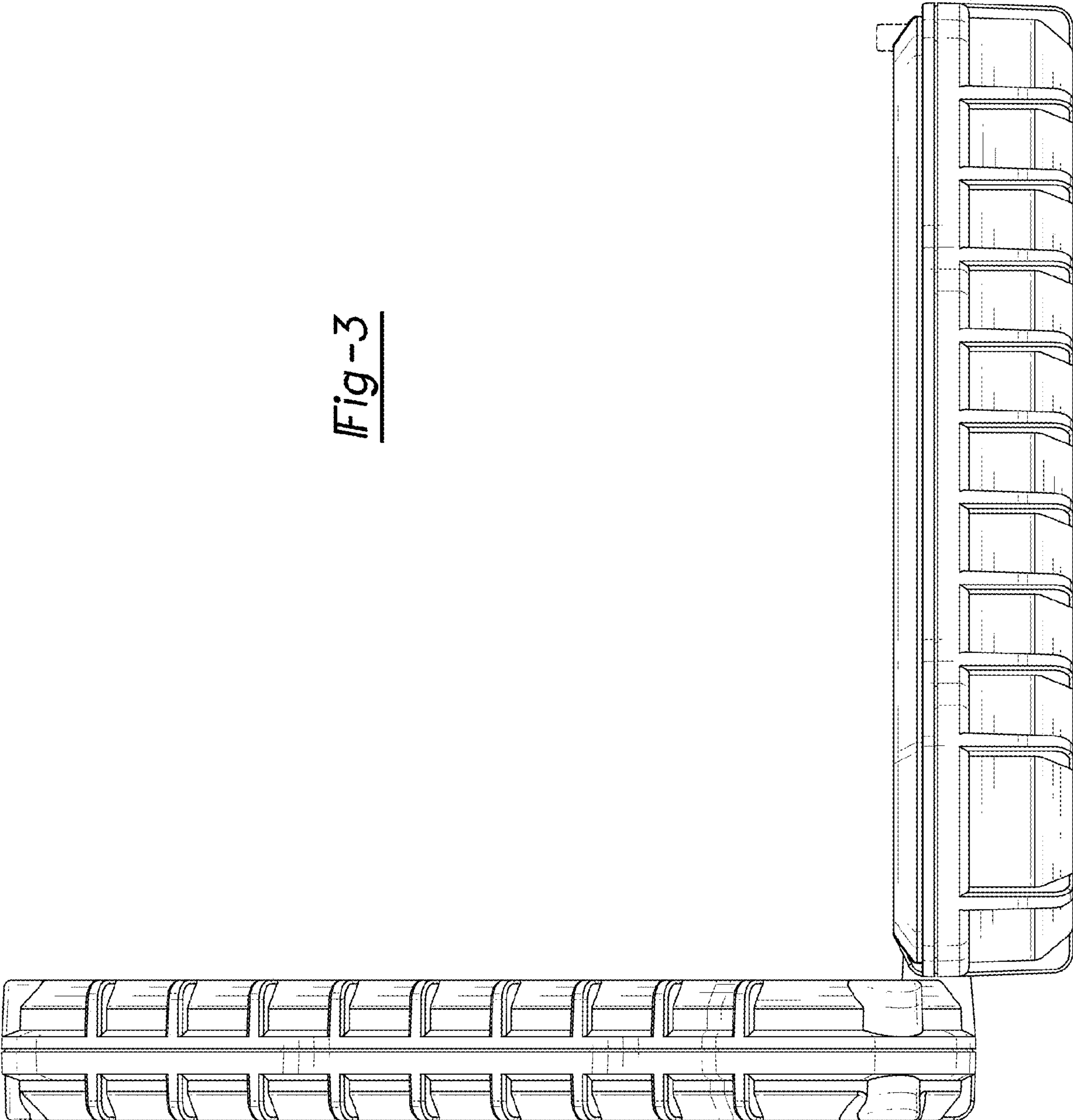


Fig-2

Fig-3



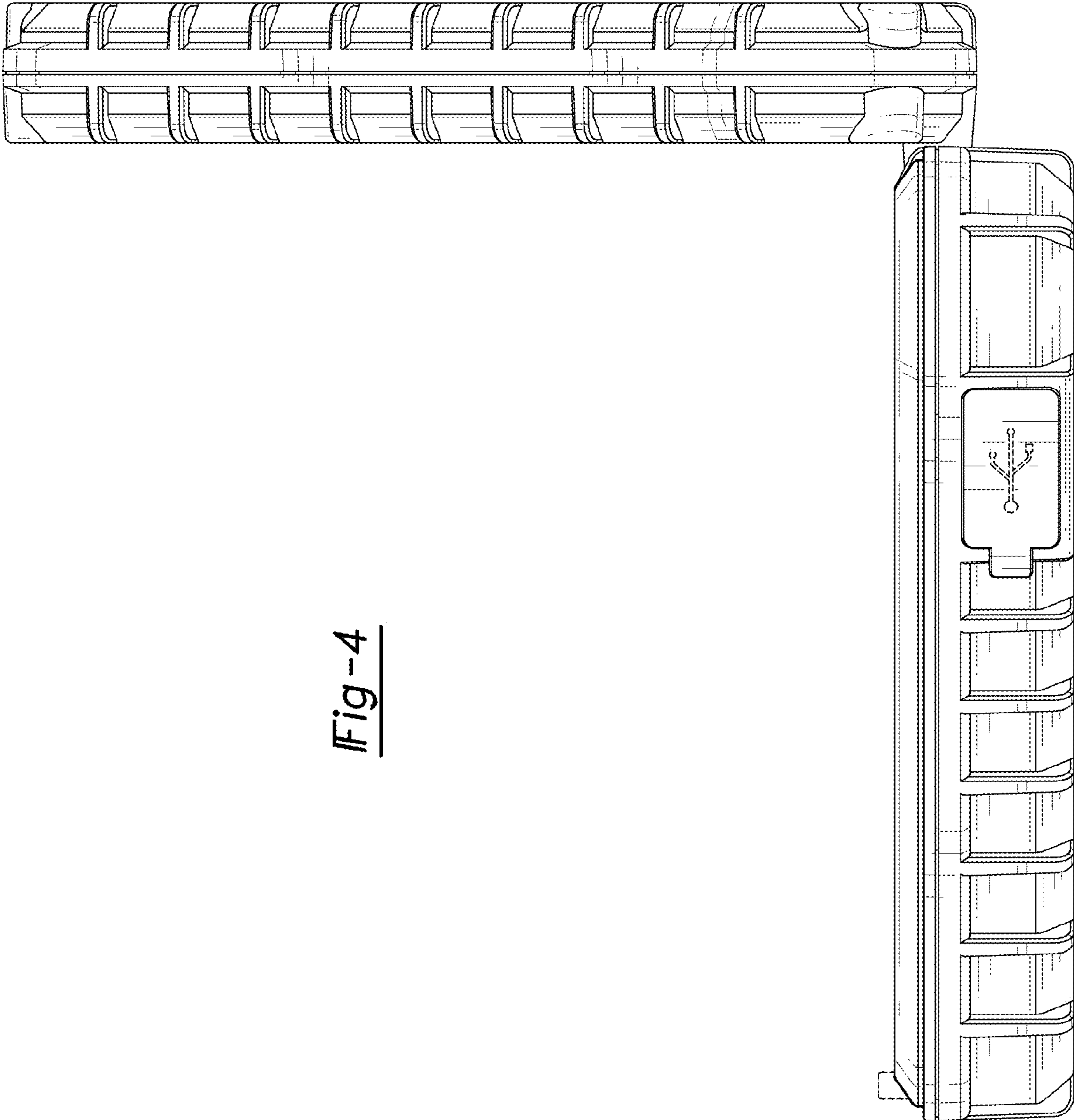


Fig-4

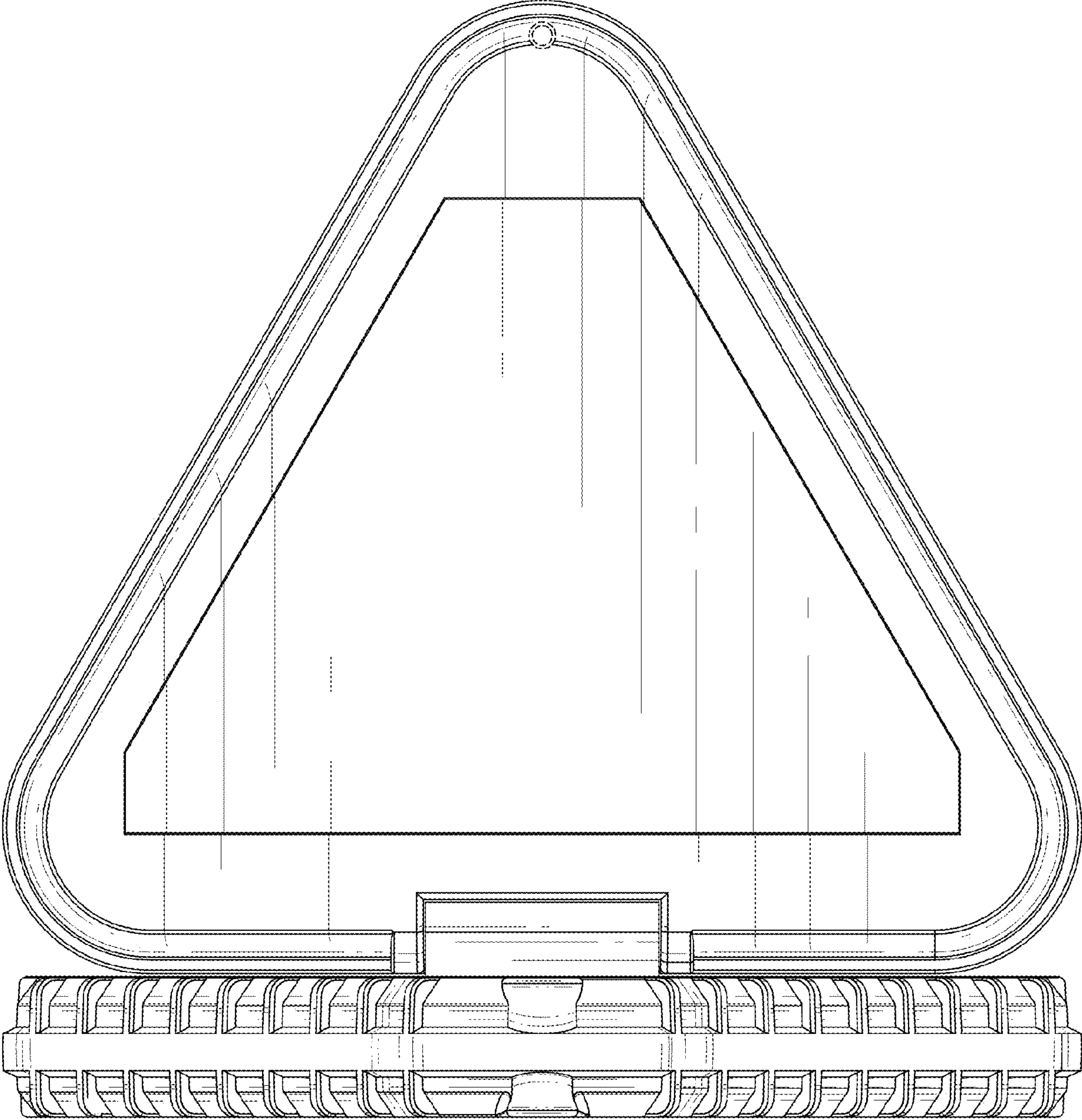


Fig-5

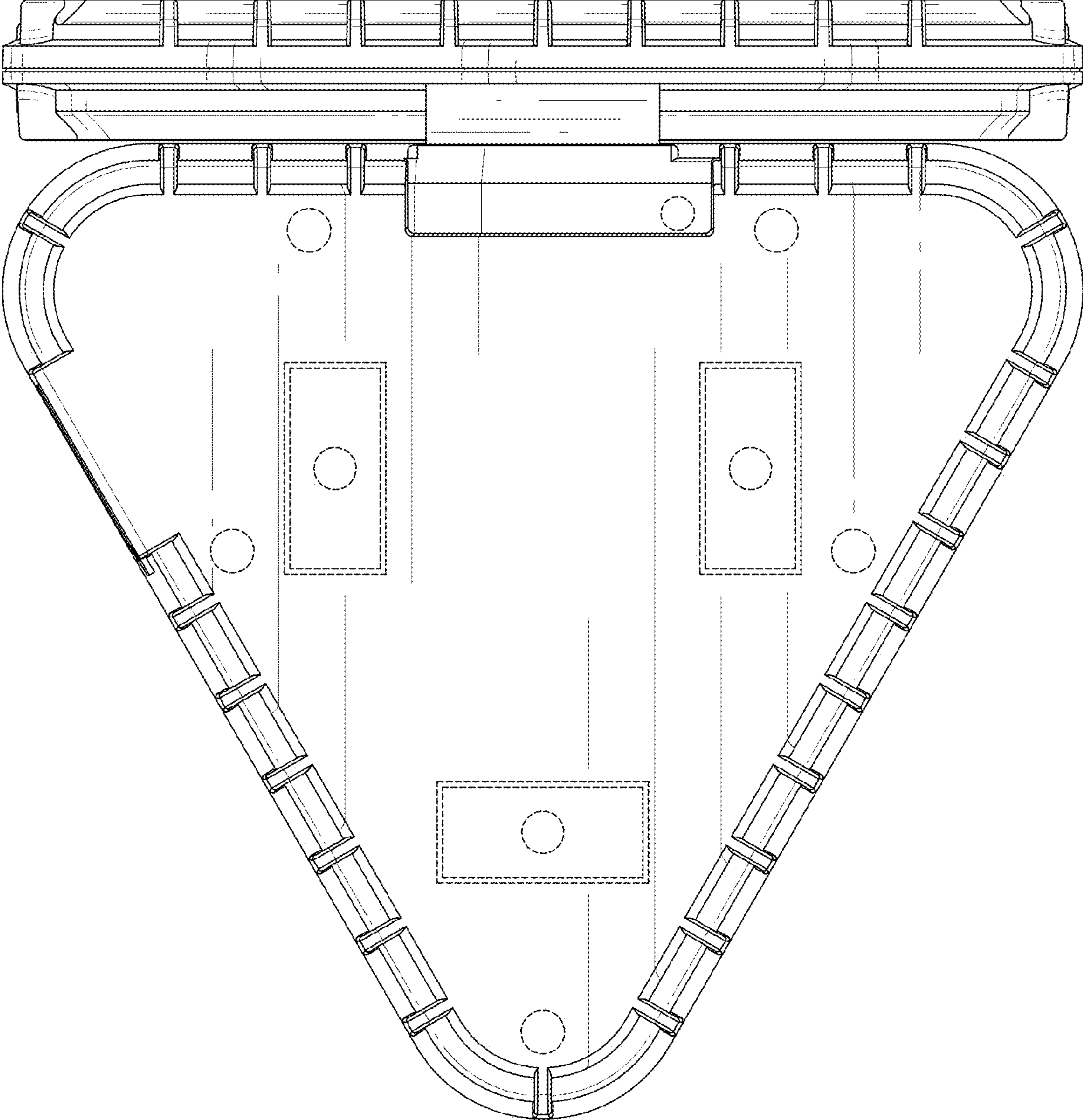


Fig-6

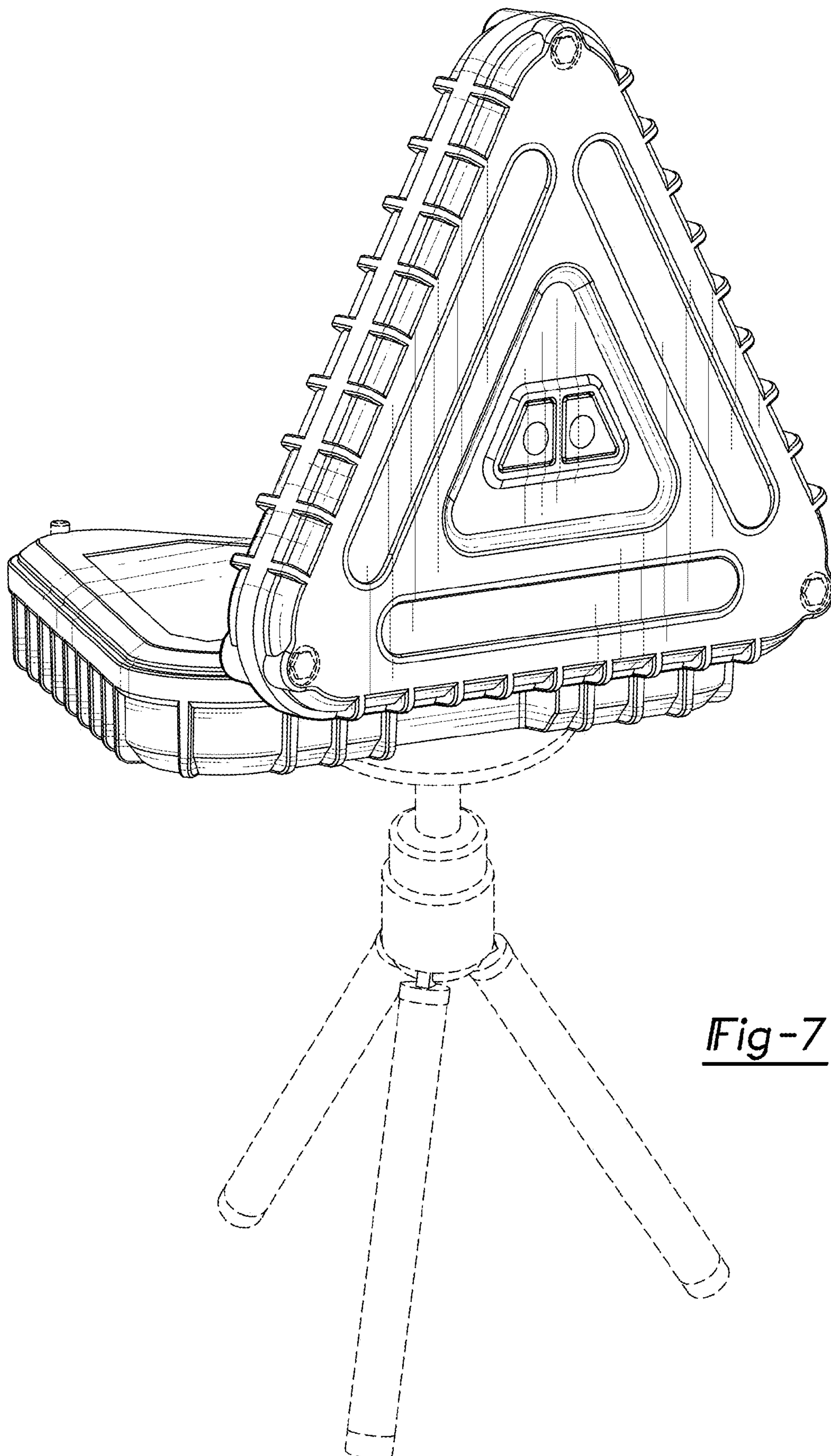


Fig-7

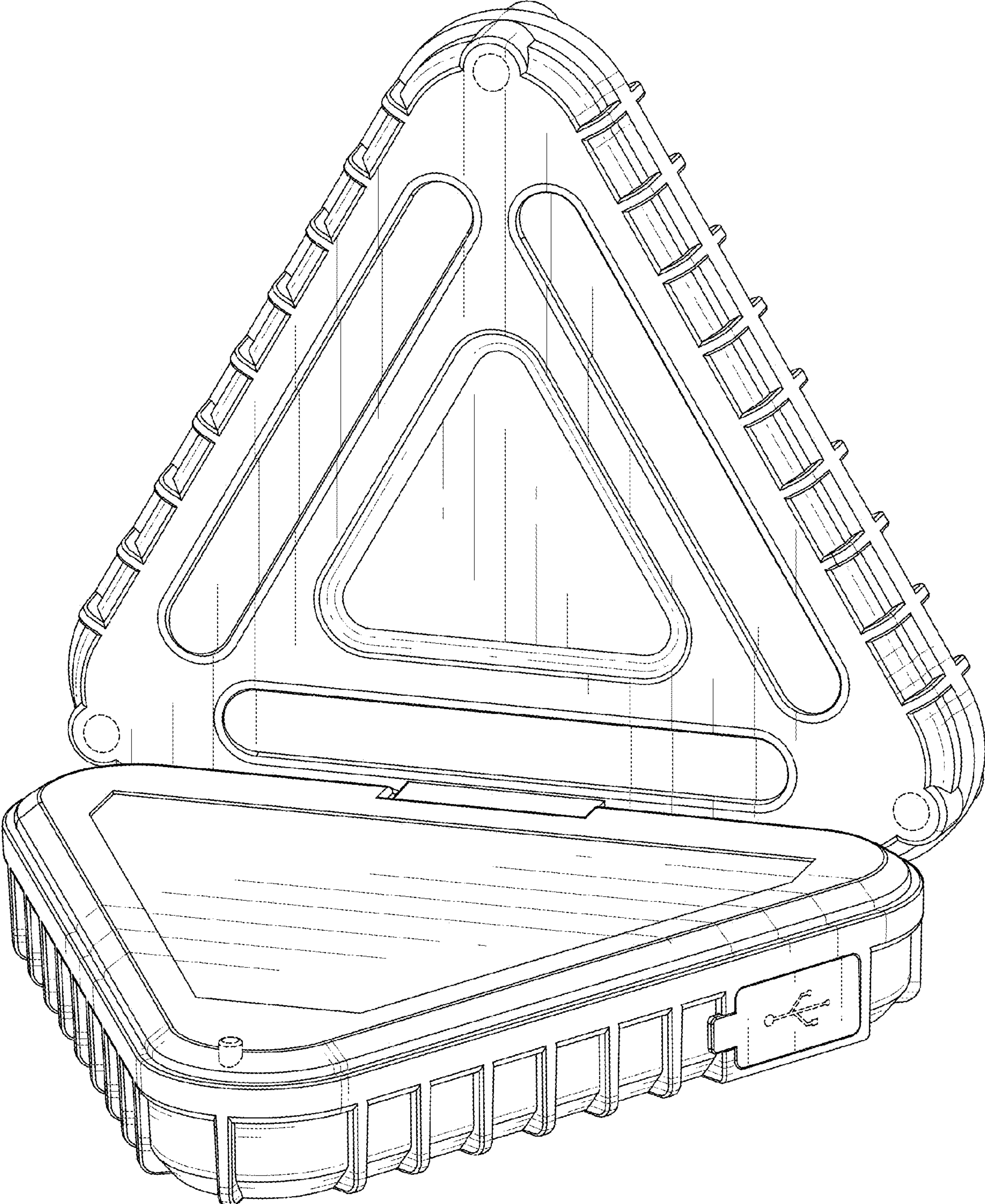


Fig-8

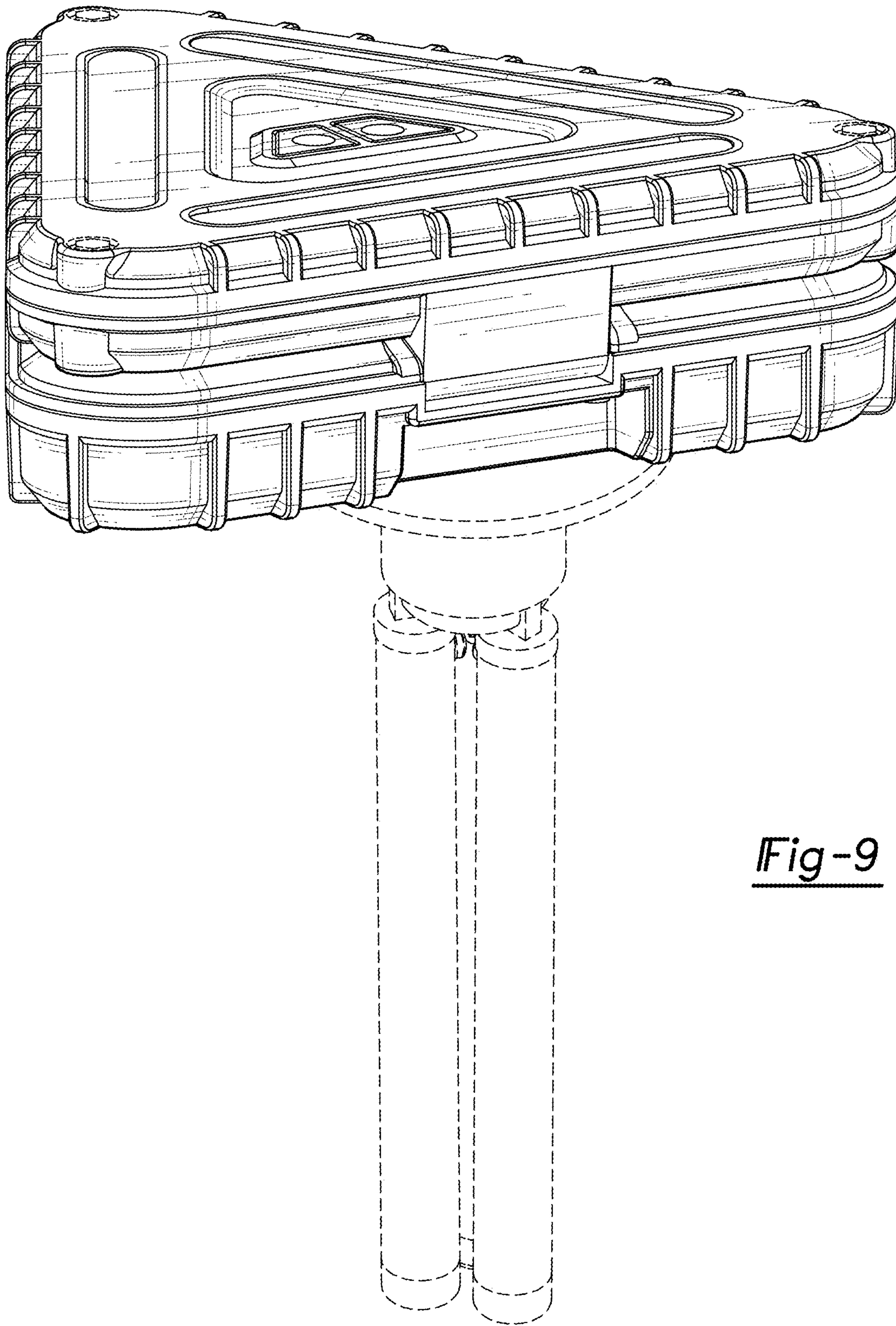


Fig-9

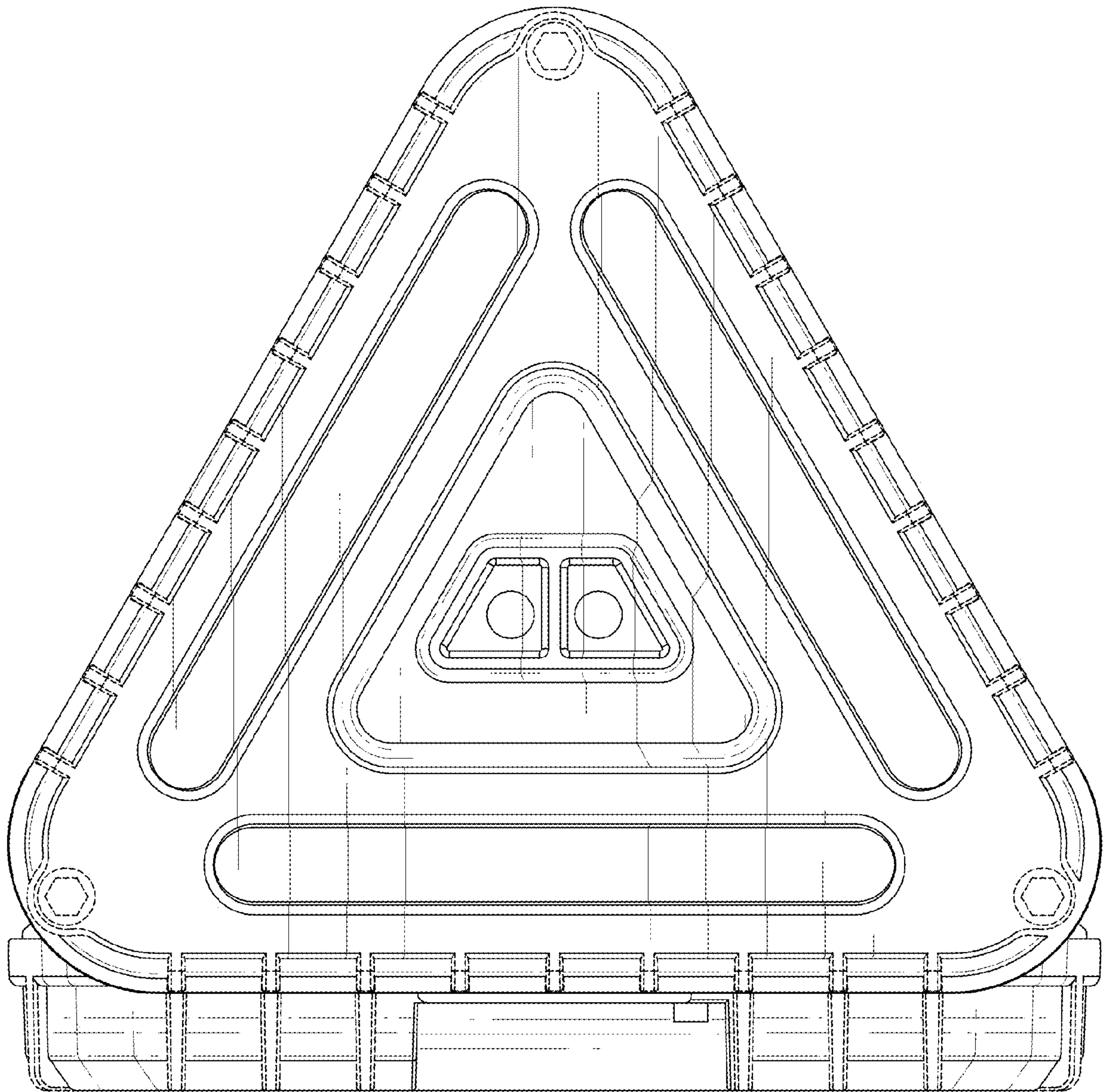


Fig-10

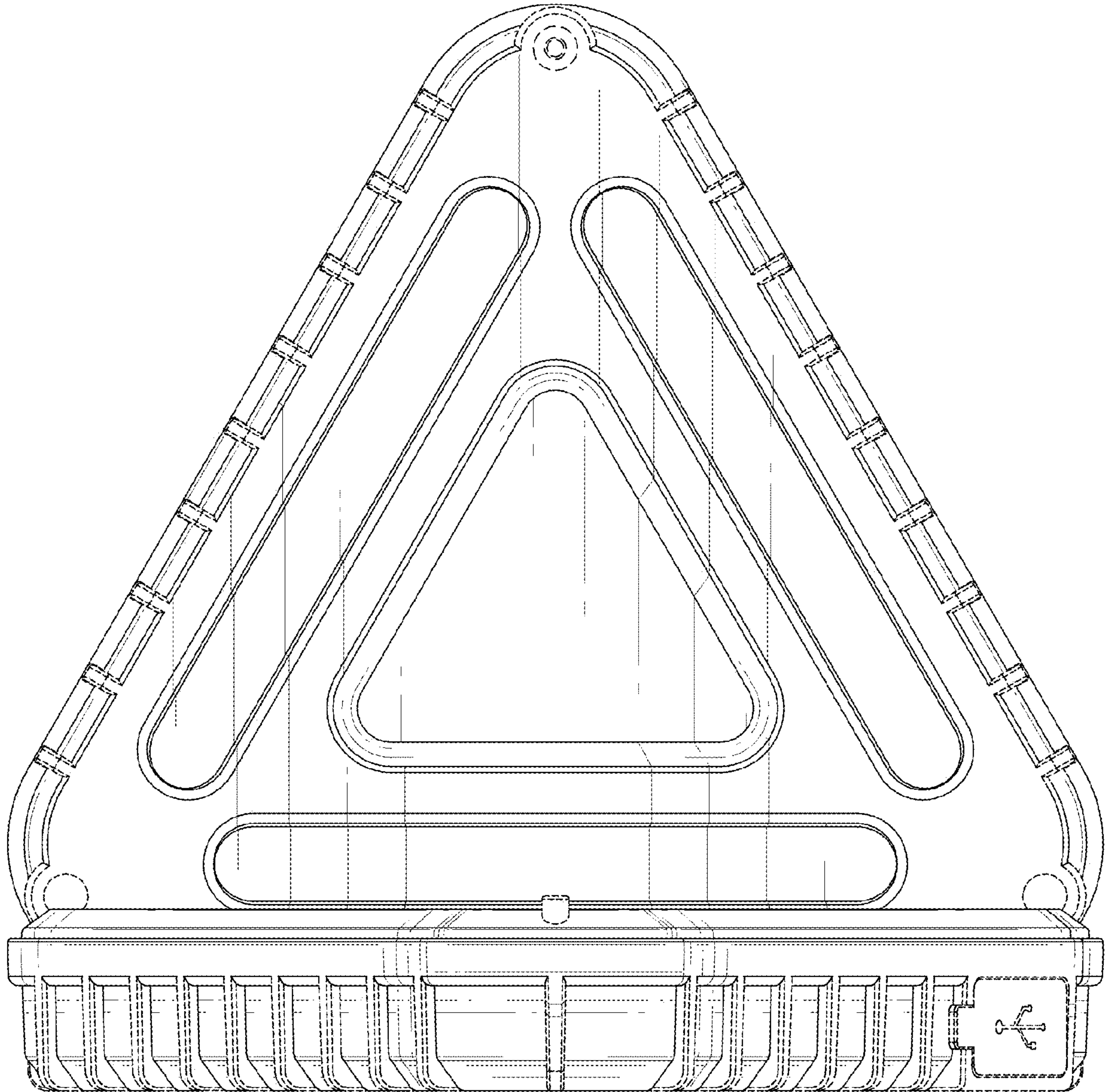
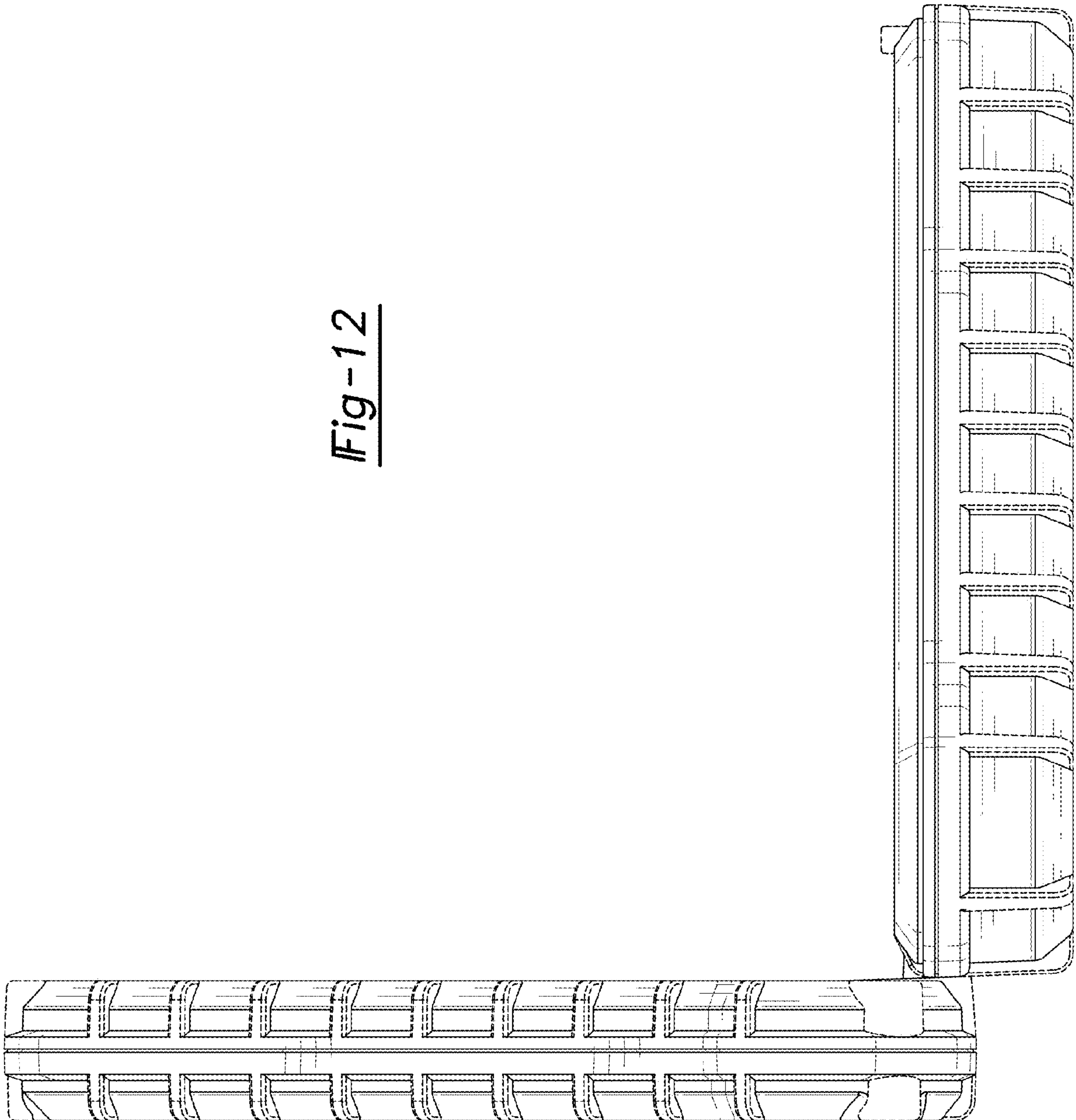


Fig-11

Fig-12



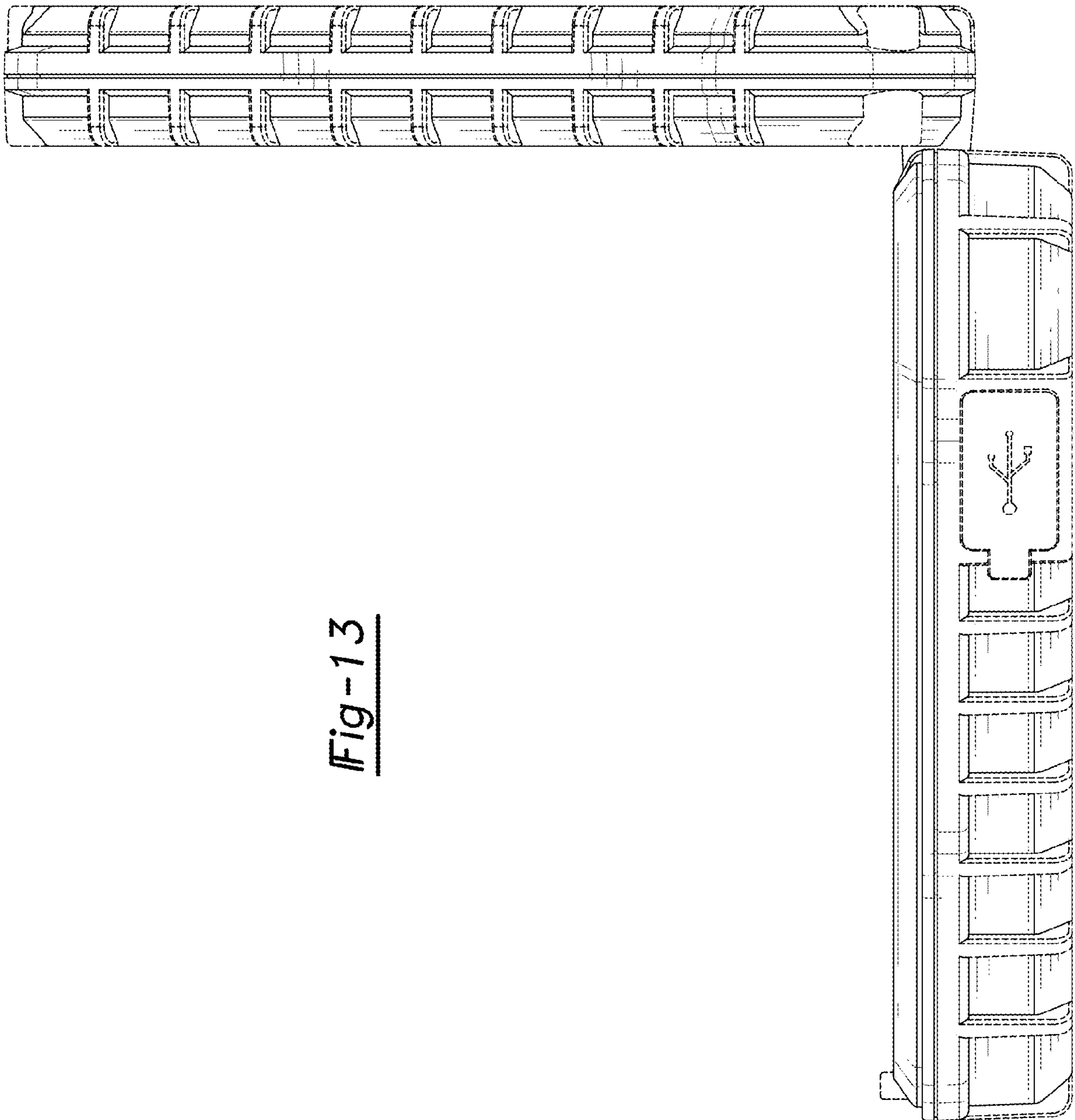


Fig-13

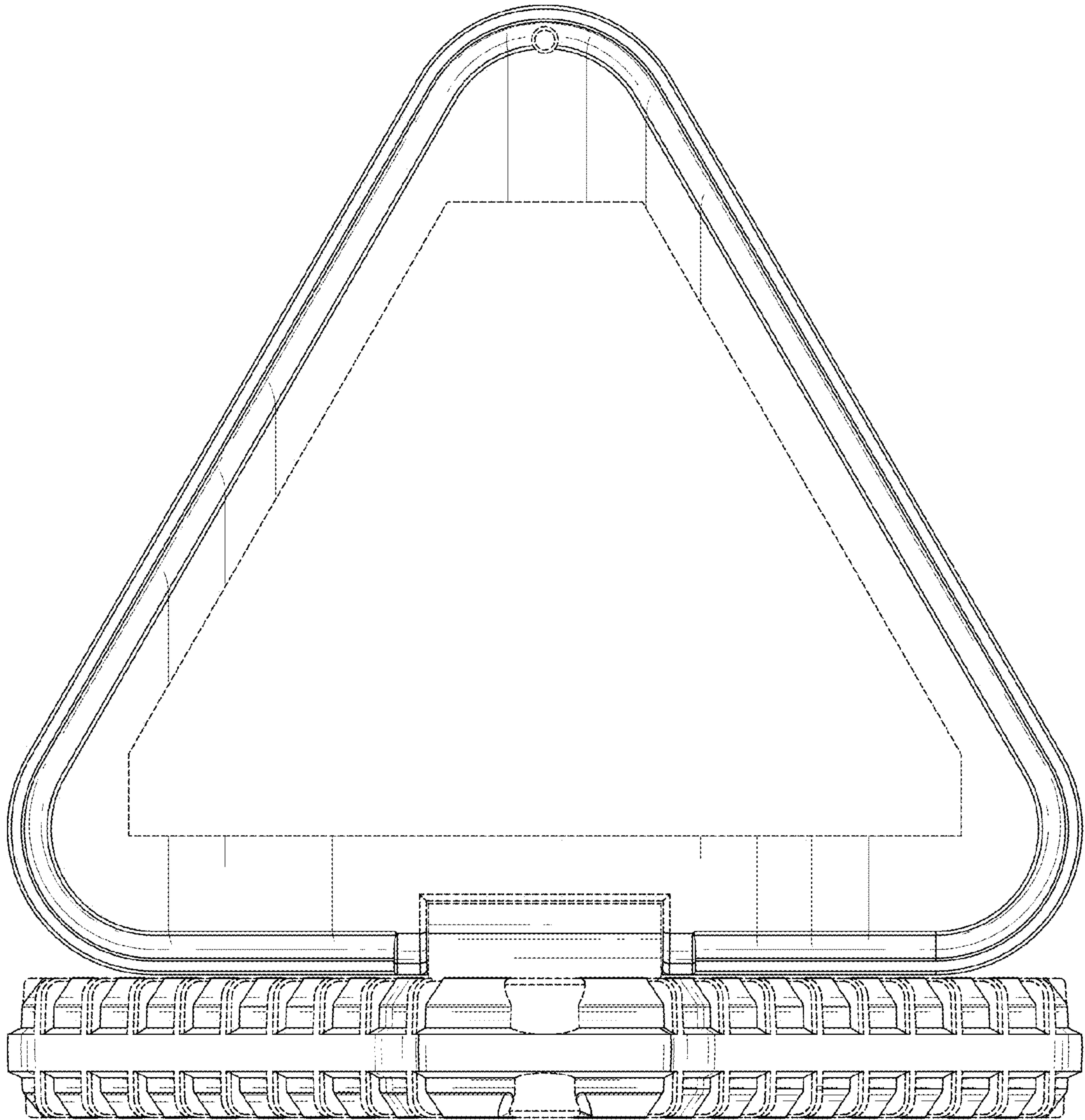


Fig-14

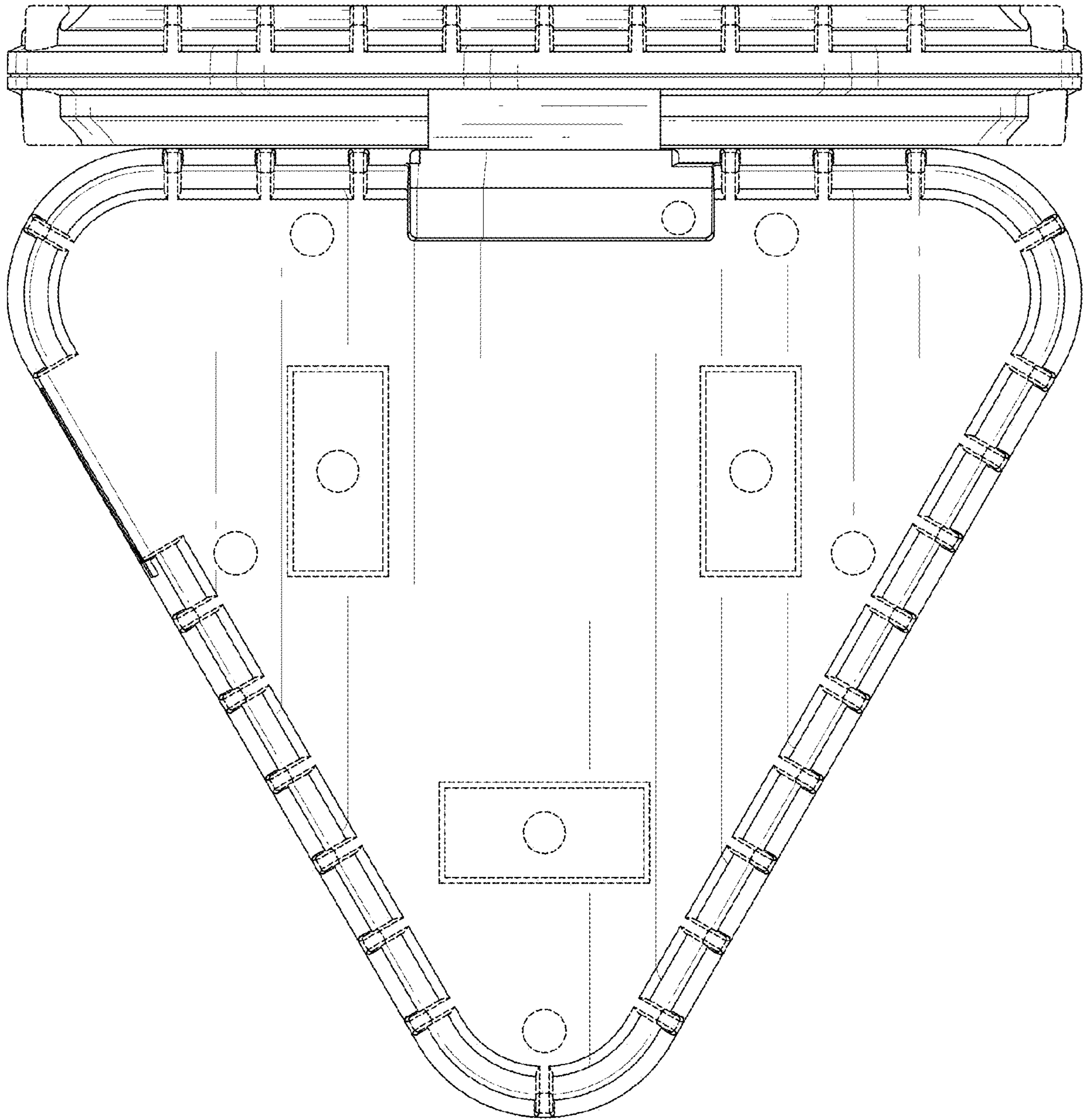


Fig-15

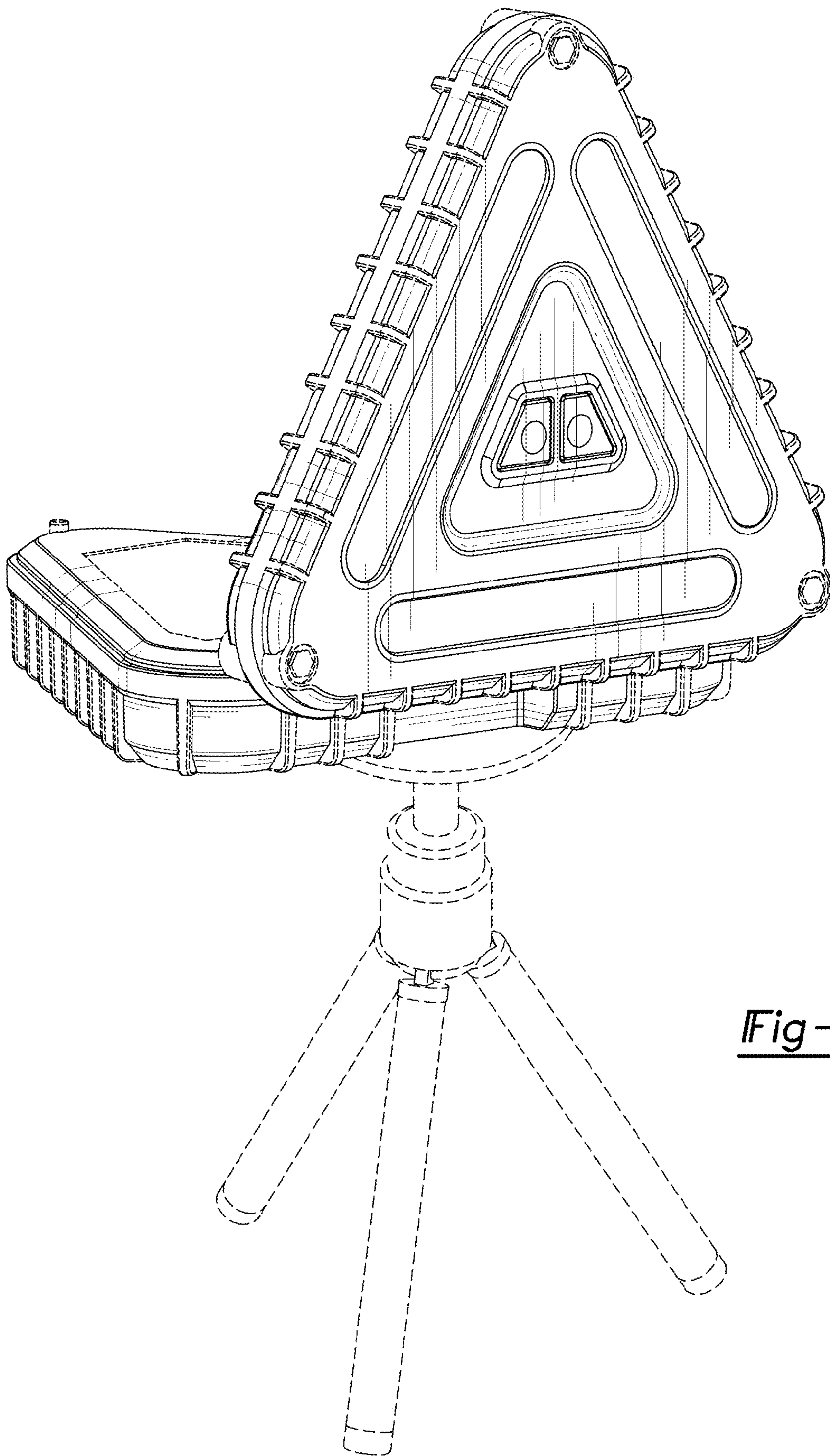


Fig-16

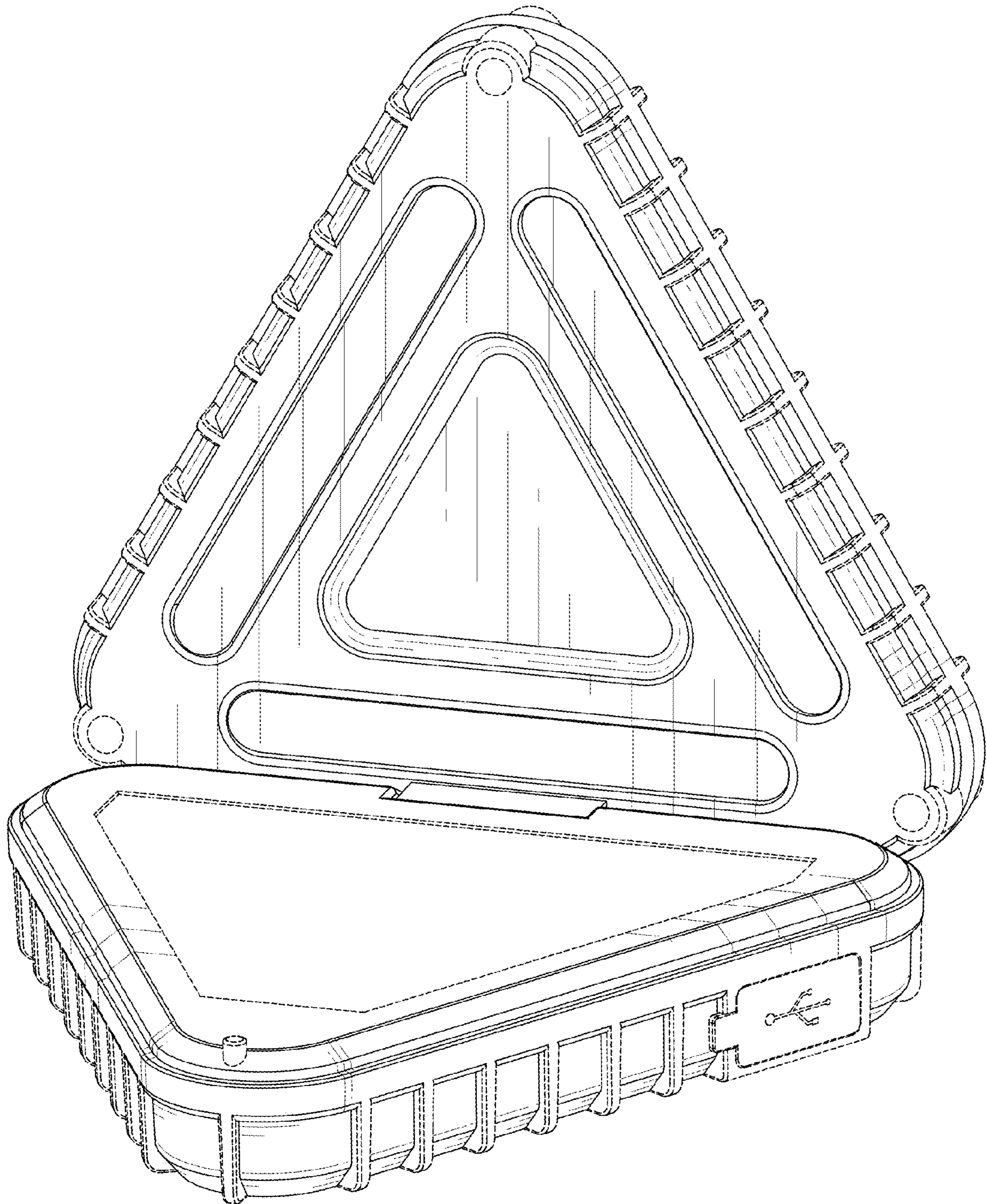


Fig-17

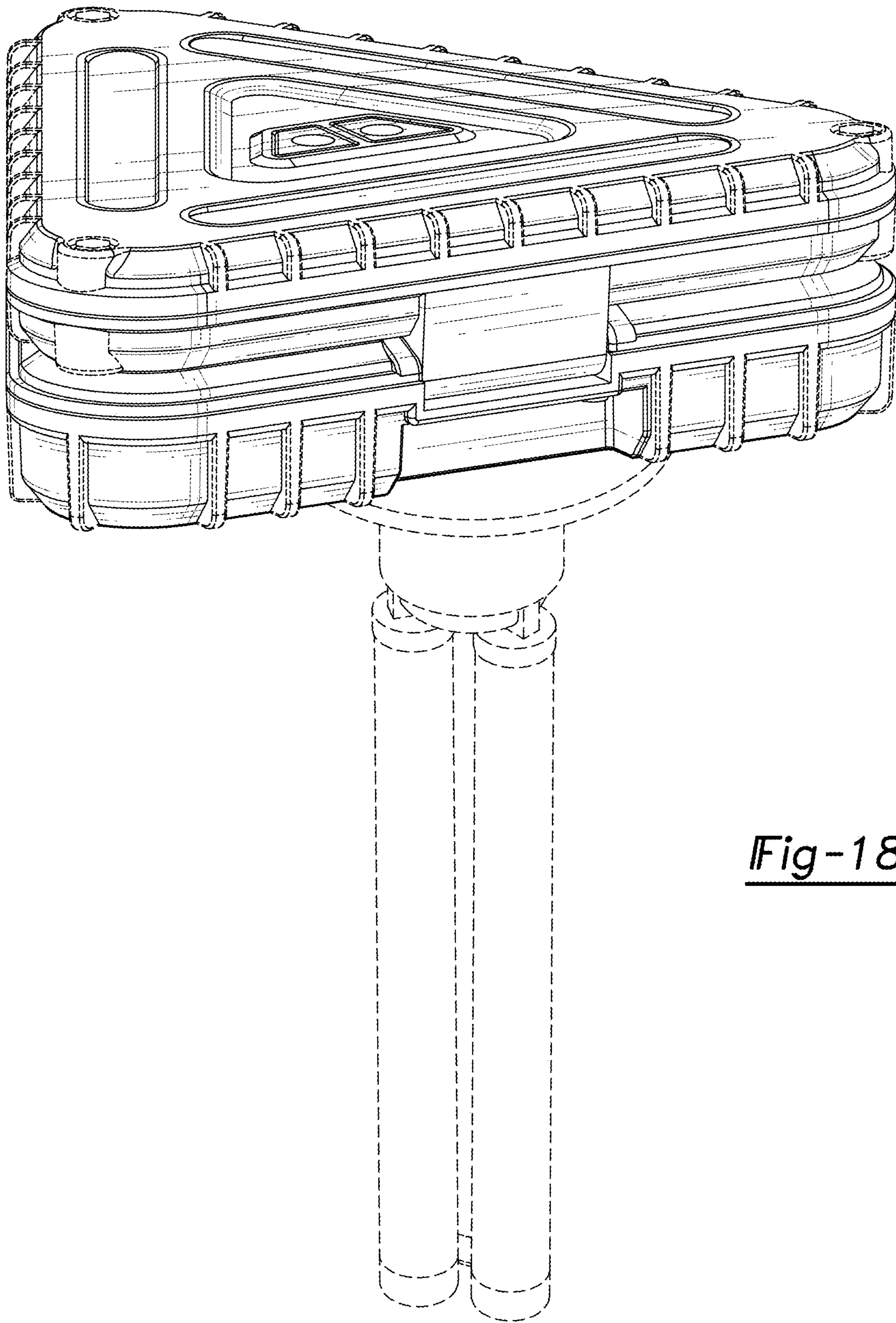


Fig-18