



US00D964198S

(12) **United States Design Patent** (10) **Patent No.:** **US D964,198 S**  
**Li** (45) **Date of Patent:** **\*\* Sep. 20, 2022**

(54) **WARNING LIGHT** D887,478 S \* 6/2020 Brickner ..... B62J 6/03  
D16/218  
(71) Applicant: **Wenjie Li**, Guangzhou (CN) D887,479 S \* 6/2020 Brickner ..... D16/218  
D887,480 S \* 6/2020 Brickner ..... D16/219  
(72) Inventor: **Wenjie Li**, Guangzhou (CN) D887,481 S \* 6/2020 Brickner ..... F21V 21/084  
D16/218  
(\*\*) Term: **15 Years** D892,727 S \* 8/2020 Gan ..... D13/103  
D898,095 S \* 10/2020 Jang ..... D16/202  
D953,258 S \* 5/2022 Ye ..... D13/103  
(21) Appl. No.: **29/756,653** (Continued)

(22) Filed: **Oct. 29, 2020**  
(51) **LOC (13) Cl.** ..... **10-05**  
(52) **U.S. Cl.**  
USPC ..... **D10/114.1**  
(58) **Field of Classification Search**  
USPC ..... D10/104.1, 106.1–106.5, 106.7–106.9,  
D10/106.95, 109.1–109.2, 110, 111,  
D10/114.1–114.8; D12/190, 401, 406,  
D12/412, 414; D13/165; D16/202–203,  
D16/214–215; D26/28, 35–36, 52, 72,  
D26/102, 104, 118–119, 120, 122  
CPC ..... F21W 2102/00–40; F21W 2103/00–60;  
A42B 3/0433; A42B 3/044  
See application file for complete search history.

OTHER PUBLICATIONS

Nitecore NUO7, published Dec. 3, 2020 on facebook, retrieved from internet Jun. 23, 2020. <URL:https://www.facebook.com/nitecoreflashlights/photos/1358801527785858> (Year: 2020).\*

*Primary Examiner* — Joseph Kukella  
*Assistant Examiner* — Heather Ann Laaveg Wencil  
(74) *Attorney, Agent, or Firm* — Innovation Capital Law Group, LLP; Vic Lin

(57) **CLAIM**

The ornamental design for a warning light, as shown and described.

(56) **References Cited**

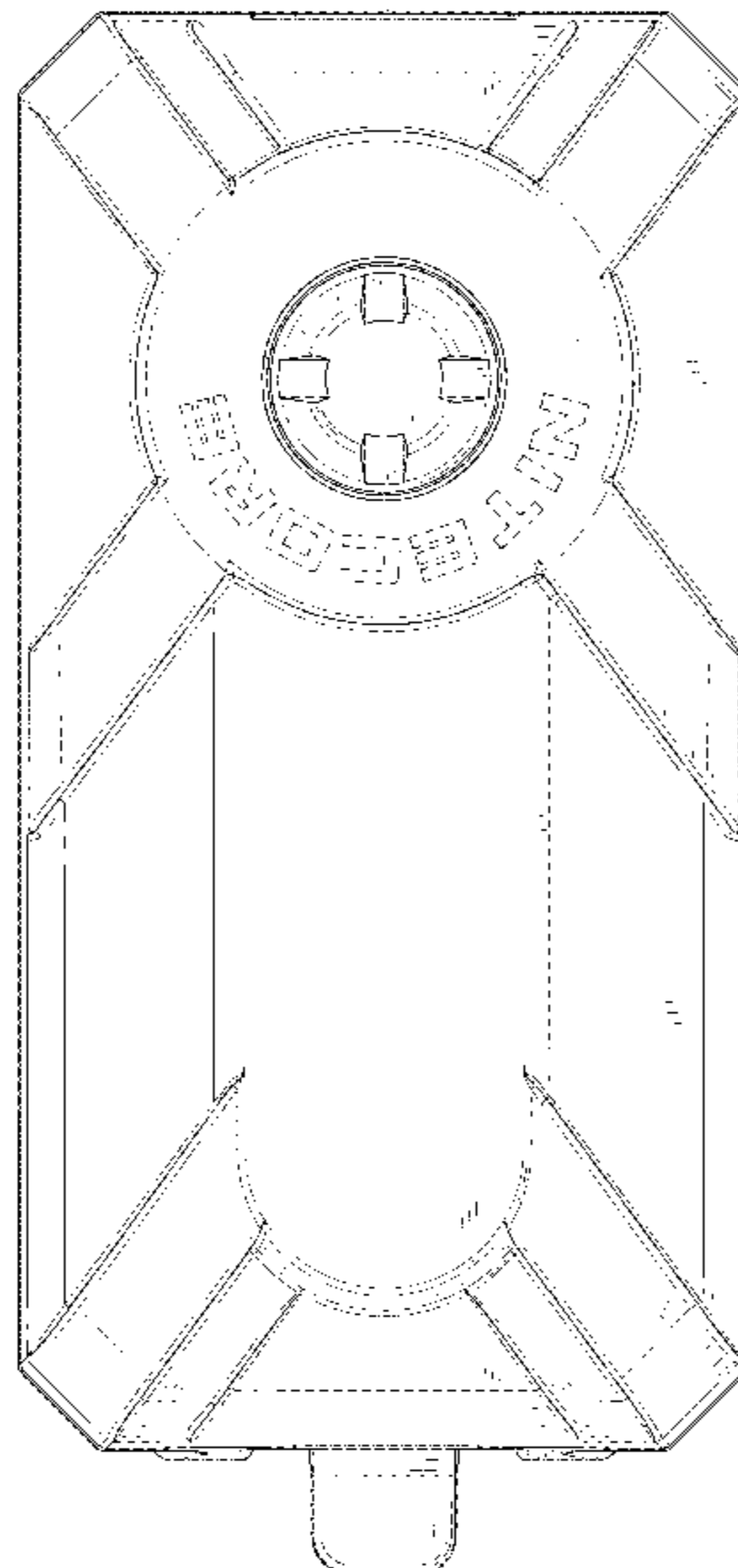
U.S. PATENT DOCUMENTS

D501,865 S \* 2/2005 Li ..... D16/212  
D519,394 S \* 4/2006 DiPasquale ..... D10/106.1  
D564,928 S \* 3/2008 Belitz ..... D10/114.4  
D742,042 S \* 10/2015 Li ..... D26/28  
D754,768 S \* 4/2016 Patulski ..... D16/202  
D754,769 S \* 4/2016 Patulski ..... D16/202  
D771,583 S \* 11/2016 Chan ..... D14/188  
D794,625 S \* 8/2017 Armstrong ..... D14/440  
D820,338 S \* 6/2018 Wu ..... D16/203  
D838,306 S \* 1/2019 Yu ..... D16/218  
D838,763 S \* 1/2019 Yu ..... D16/218  
D856,956 S \* 8/2019 Liu ..... D14/250  
D874,546 S \* 2/2020 Yu ..... D16/218  
D875,979 S \* 2/2020 Levy ..... D26/39  
D884,055 S \* 5/2020 Jeong ..... D16/208

**DESCRIPTION**

FIG. 1 is a front elevation view of a warning light, showing my new design;  
FIG. 2 is a rear elevation view thereof;  
FIG. 3 is a right elevation view thereof;  
FIG. 4 is a left elevation view thereof;  
FIG. 5 is a top plan view thereof;  
FIG. 6 is a bottom plan view thereof;  
FIG. 7 is a front perspective view thereof; and,  
FIG. 8 is a rear perspective view thereof.  
The broken lines in the drawings are for the purpose of illustrating portions of the article that form no part of the claimed design.

**1 Claim, 8 Drawing Sheets**



(56)

**References Cited**

U.S. PATENT DOCUMENTS

2012/0218771 A1\* 8/2012 Yen ..... B62J 6/03  
362/473  
2017/0184259 A1\* 6/2017 Li ..... F21V 21/084

\* cited by examiner

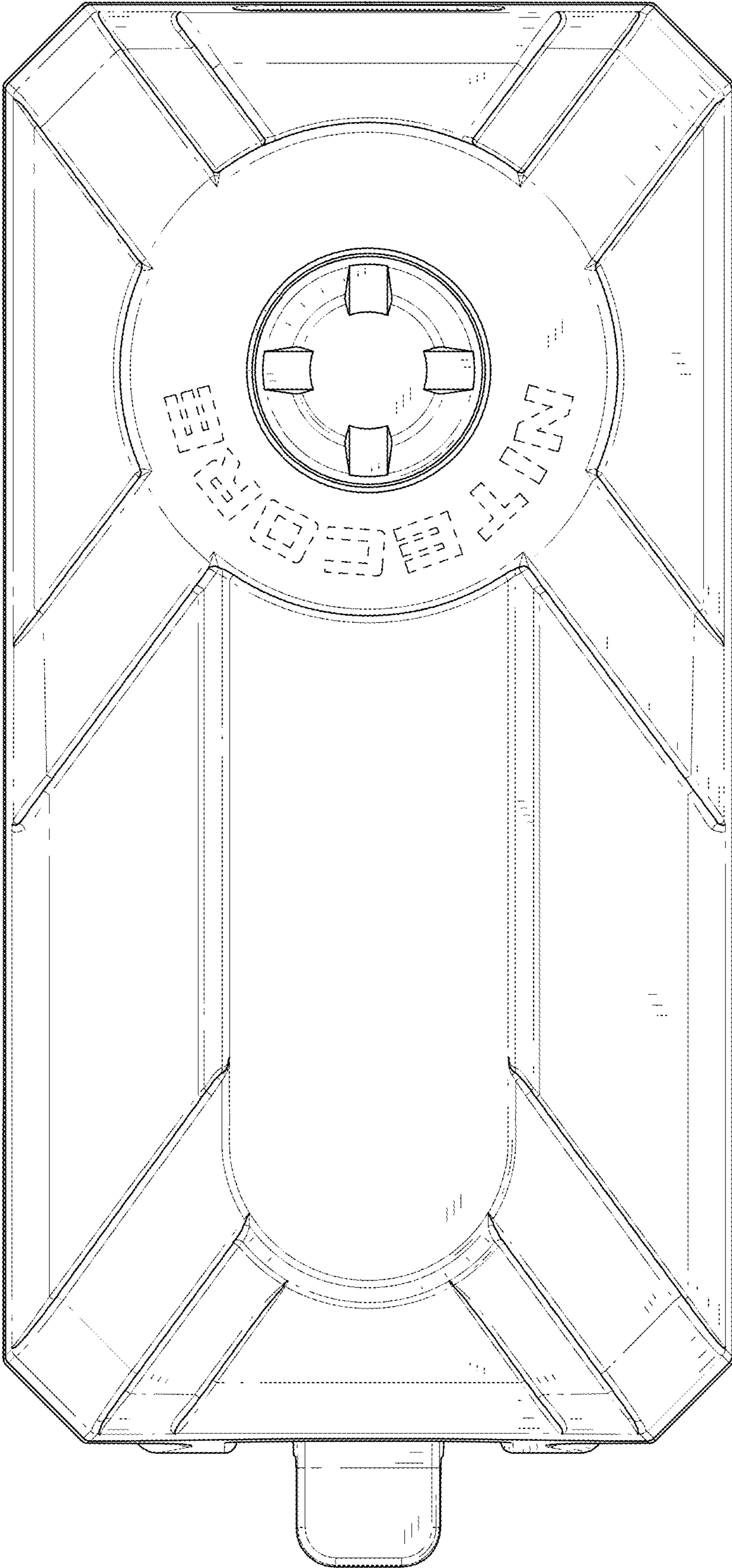


FIG. 1

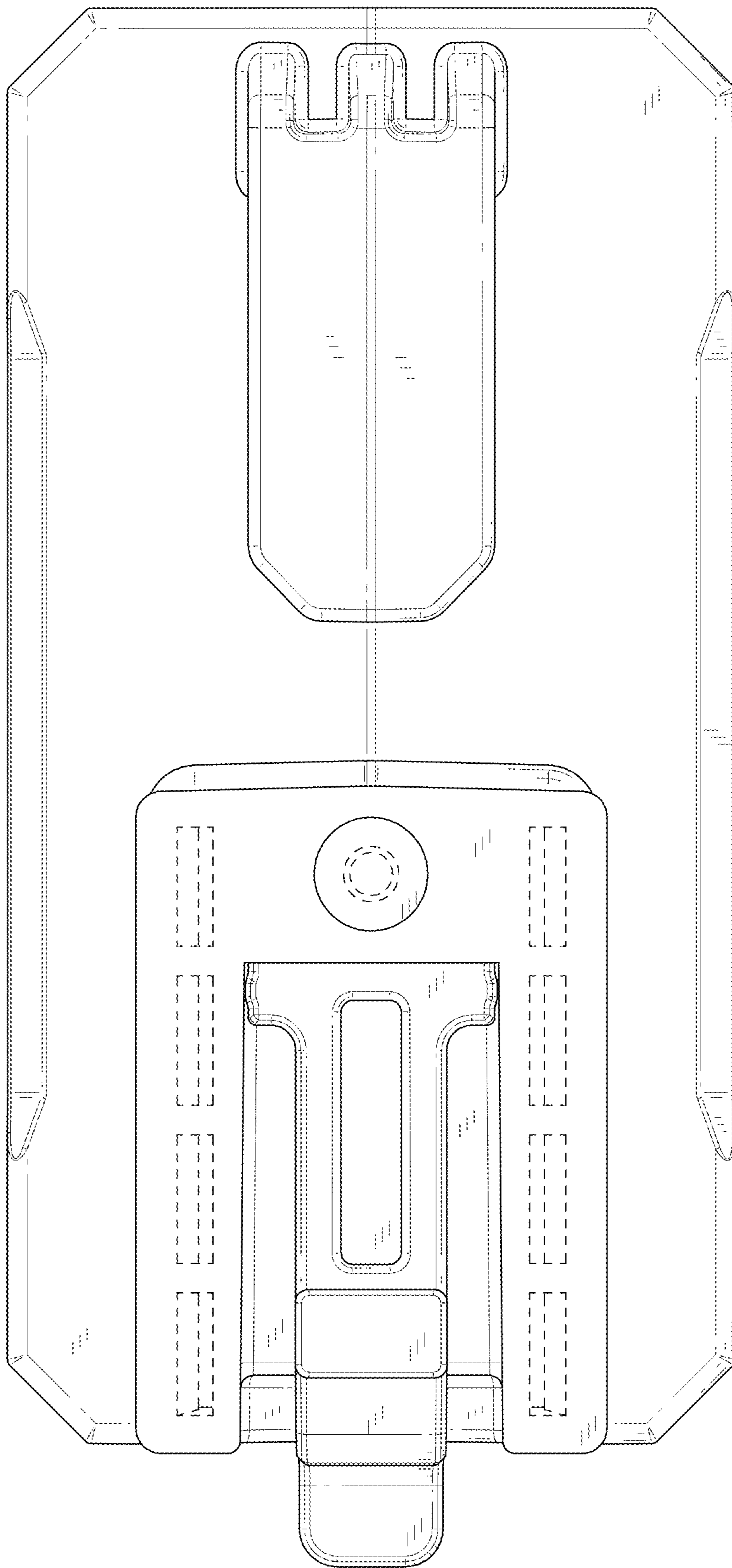


FIG. 2

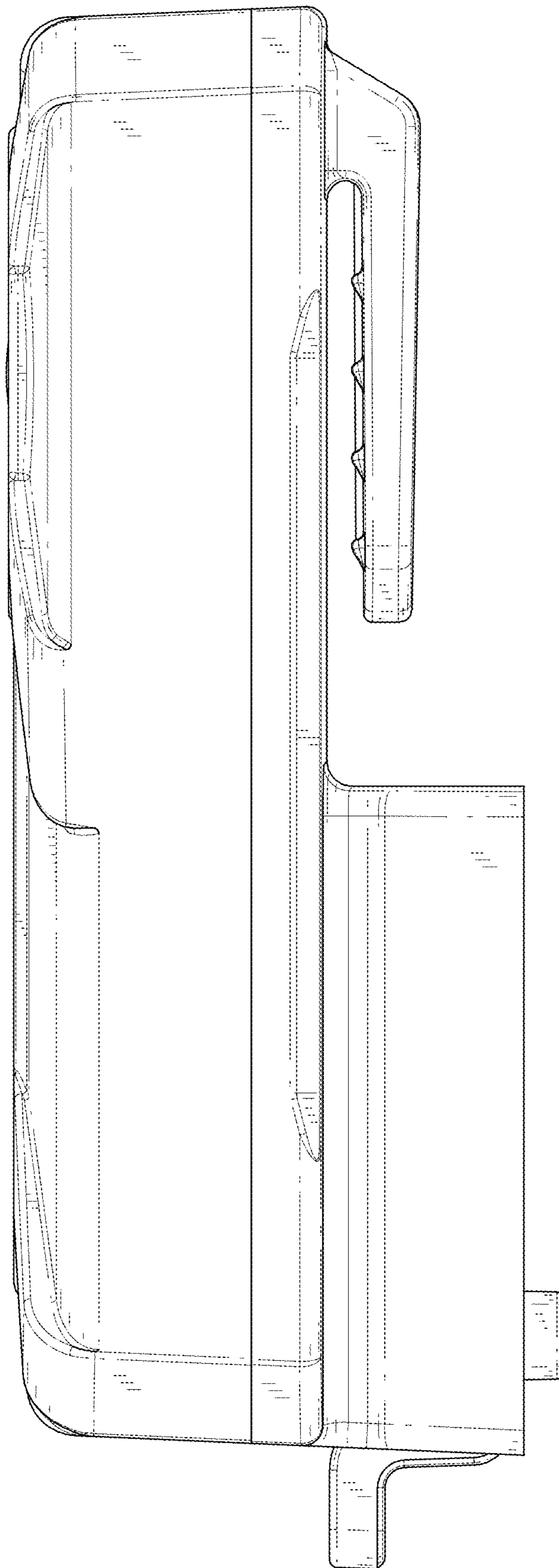


FIG. 3

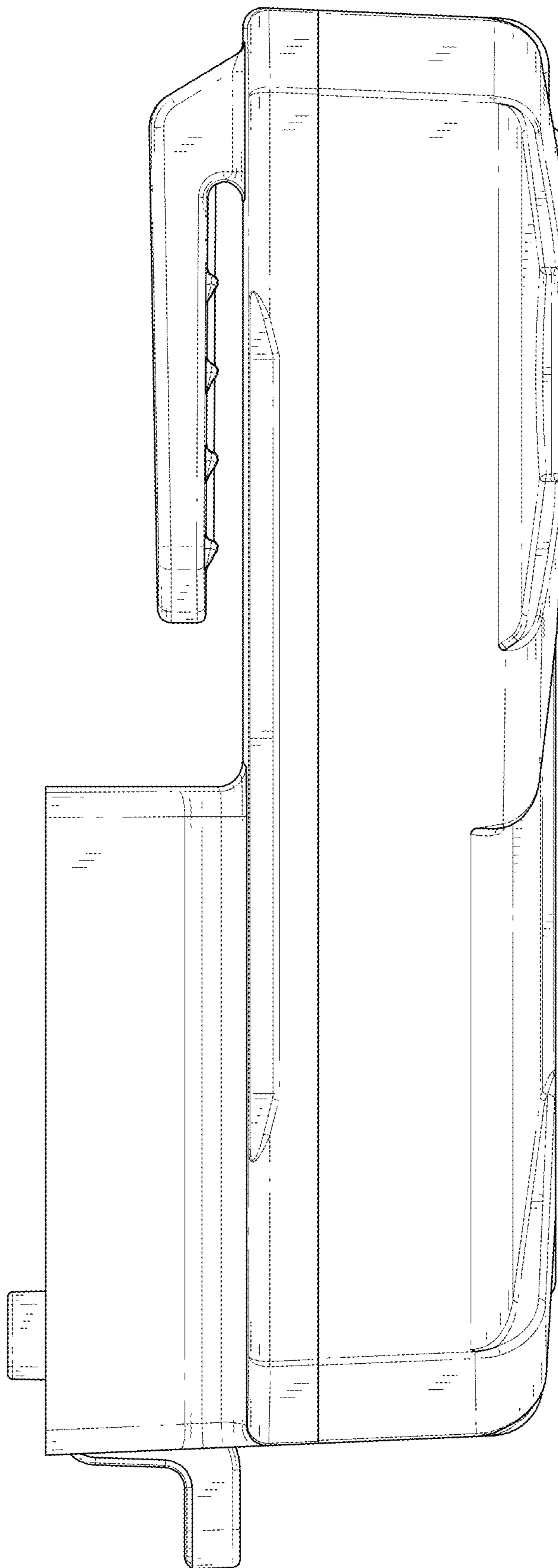


FIG. 4

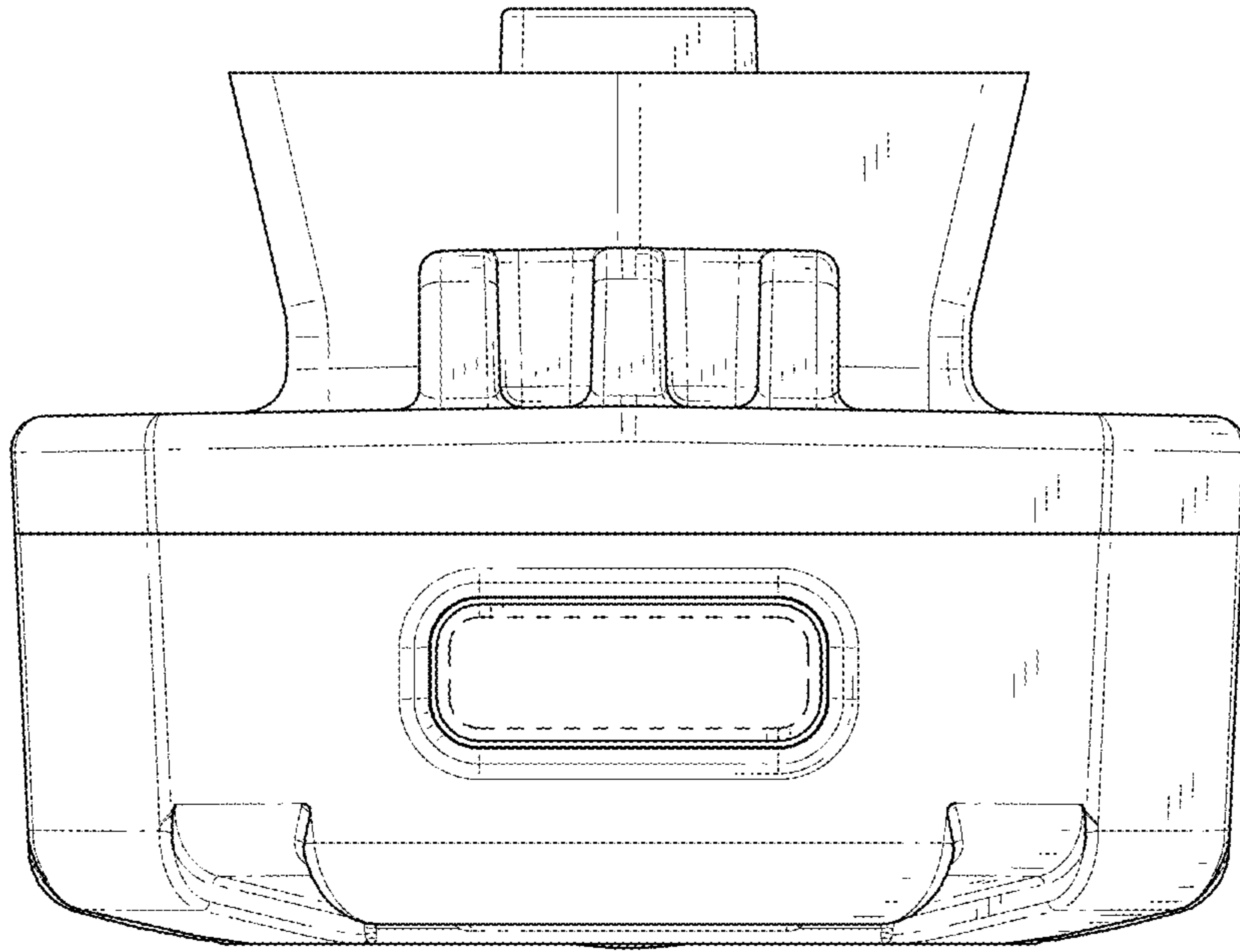


FIG. 5

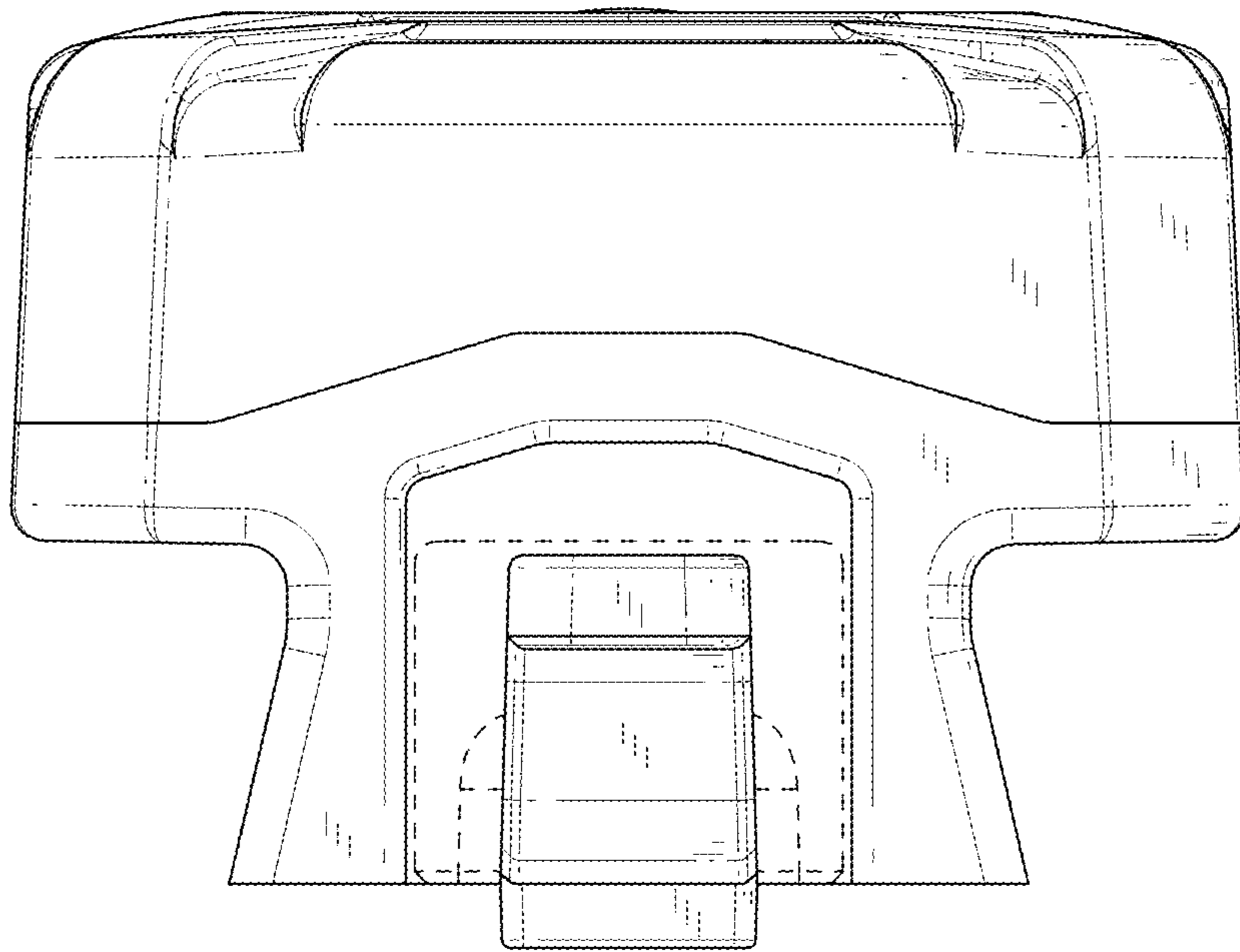


FIG. 6



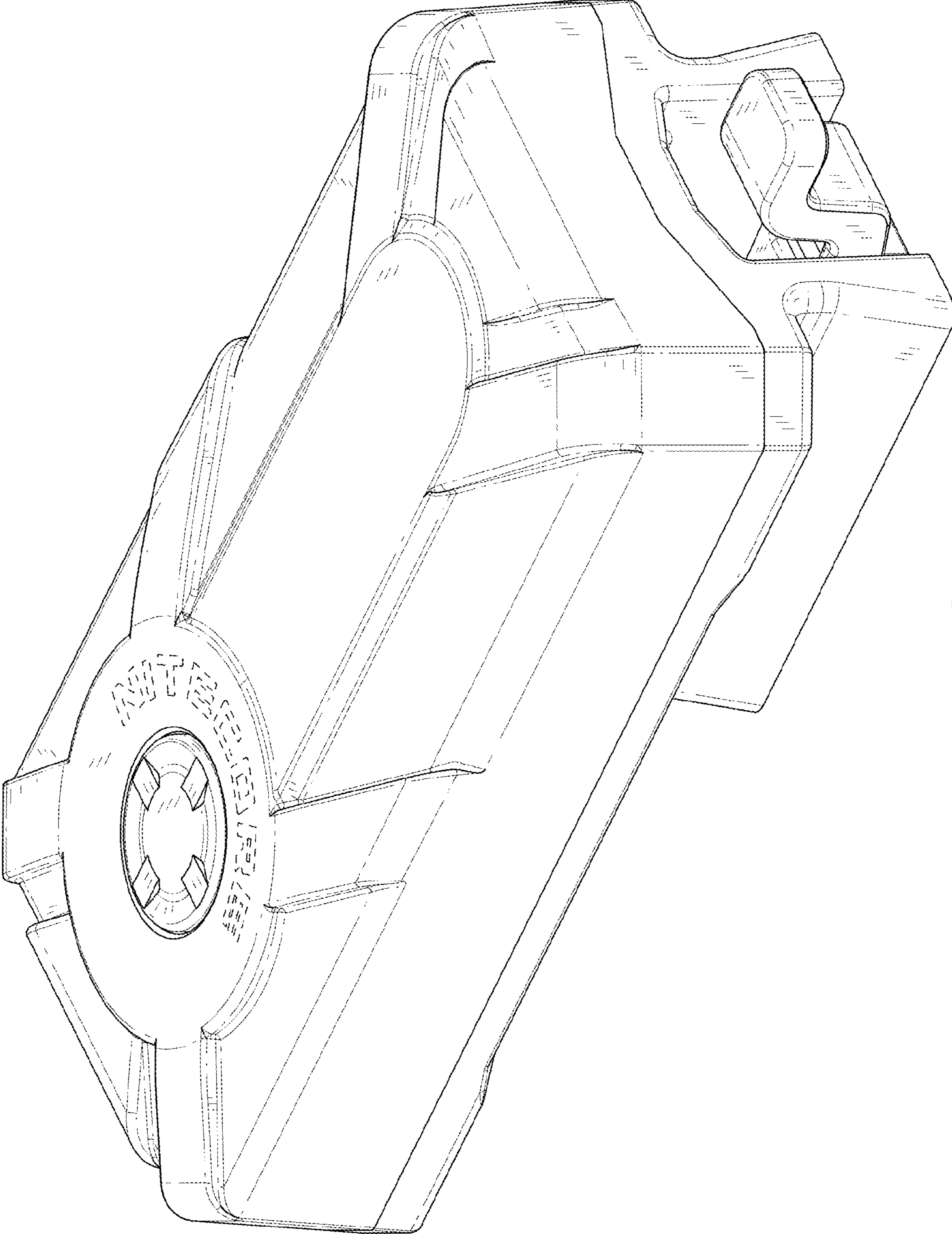


FIG. 7

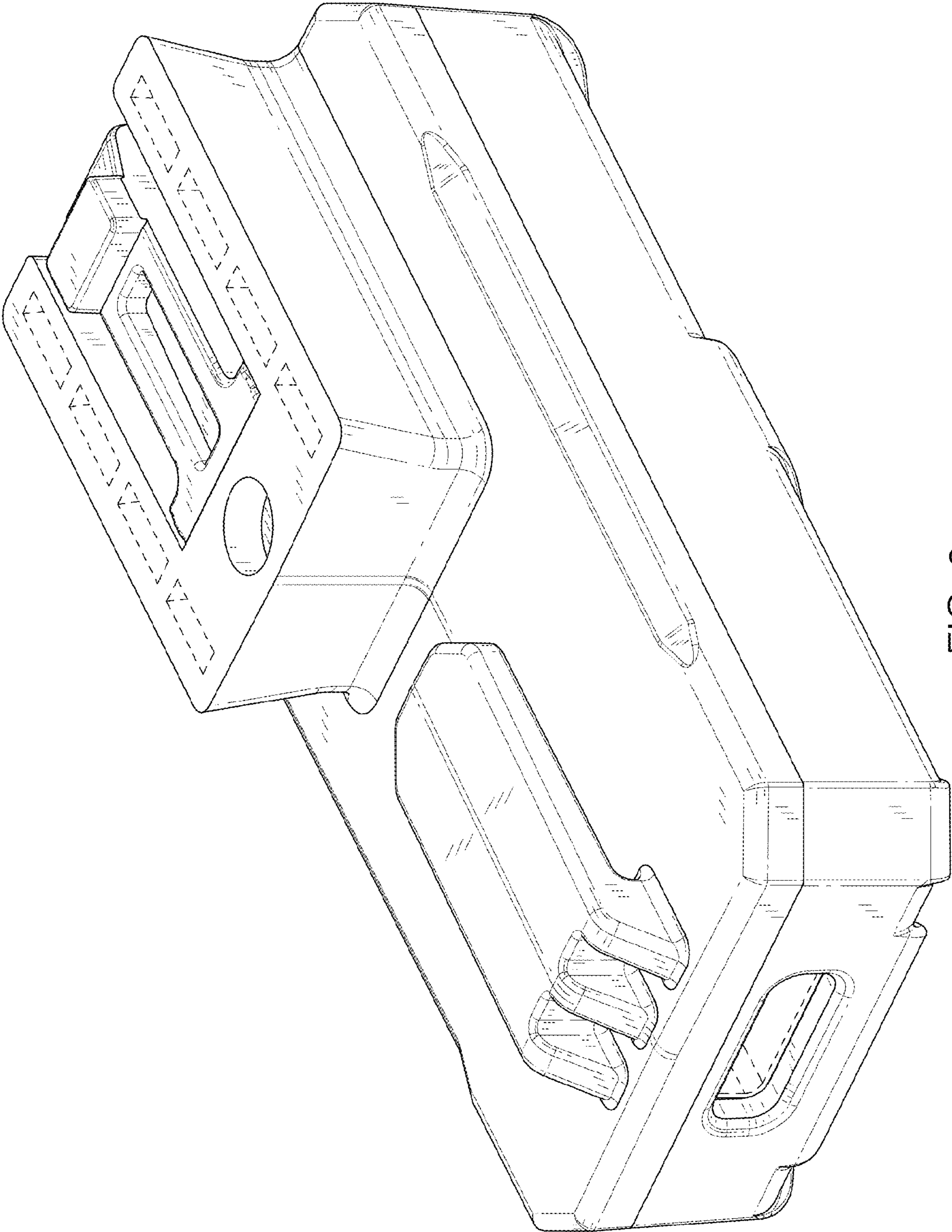


FIG. 8