

US00D964197S

(12) **United States Design Patent**
Brüggemann

(10) **Patent No.:** **US D964,197 S**

(45) **Date of Patent:** **** Sep. 20, 2022**

(54) **CASING FOR MEASURING INSTRUMENTS**

(71) Applicant: **PCE Deutschland GmbH**, Meschede (DE)

(72) Inventor: **Jan Brüggemann**, Meschede (DE)

(**) Term: **15 Years**

(21) Appl. No.: **35/511,741**

(22) Filed: **Mar. 16, 2021**

(80) **Hague Agreement Data**

Int. Filing Date: **Mar. 16, 2021**

Int. Reg. No.: **DM/213752**

Int. Reg. Date: **Mar. 16, 2021**

Int. Reg. Pub. Date: **Apr. 23, 2021**

(51) **LOC (13) Cl.** **10-04**

(52) **U.S. Cl.**
USPC **D10/103**

(58) **Field of Classification Search**
USPC **D10/70, 78, 103, 57, 81**
See application file for complete search history.

(56) **References Cited**

U.S. PATENT DOCUMENTS

D446,135 S *	8/2001	Chen	D10/78
D502,416 S *	3/2005	Chen	D10/78
D510,045 S *	9/2005	Lipscomb	D10/78
D588,482 S *	3/2009	Kim	D10/78
D594,360 S *	6/2009	Aglassinger	D10/70
D636,282 S *	4/2011	Yin	D10/70
D673,062 S *	12/2012	Marzynski	D10/70
D693,716 S *	11/2013	Matuschek	D10/103
D793,257 S *	8/2017	Gao	D10/78
D799,349 S *	10/2017	Mathier	D10/70

D838,195 S *	1/2019	Wu	D10/78
D838,611 S *	1/2019	Xie	D10/78
D838,612 S *	1/2019	Xie	D10/78
D842,147 S *	3/2019	Xie	D10/78
D842,997 S *	3/2019	Yanke	D24/186
D846,413 S *	4/2019	Wang	D10/78
D881,045 S *	4/2020	Zhang	D10/70
D881,046 S *	4/2020	Shao	D10/70
D903,515 S *	12/2020	Zhao	D10/78
D918,074 S *	5/2021	Zhao	D10/78
D918,748 S *	5/2021	Zhao	D10/78
D926,609 S *	8/2021	Xie	D10/78
D930,491 S *	9/2021	Xie	D10/78
D931,127 S *	9/2021	Shao	D10/70

FOREIGN PATENT DOCUMENTS

DE	40601614	9/2006
DE	40601614.3	9/2006

* cited by examiner

Primary Examiner — George D. Kirschbaum

(57) **CLAIM**

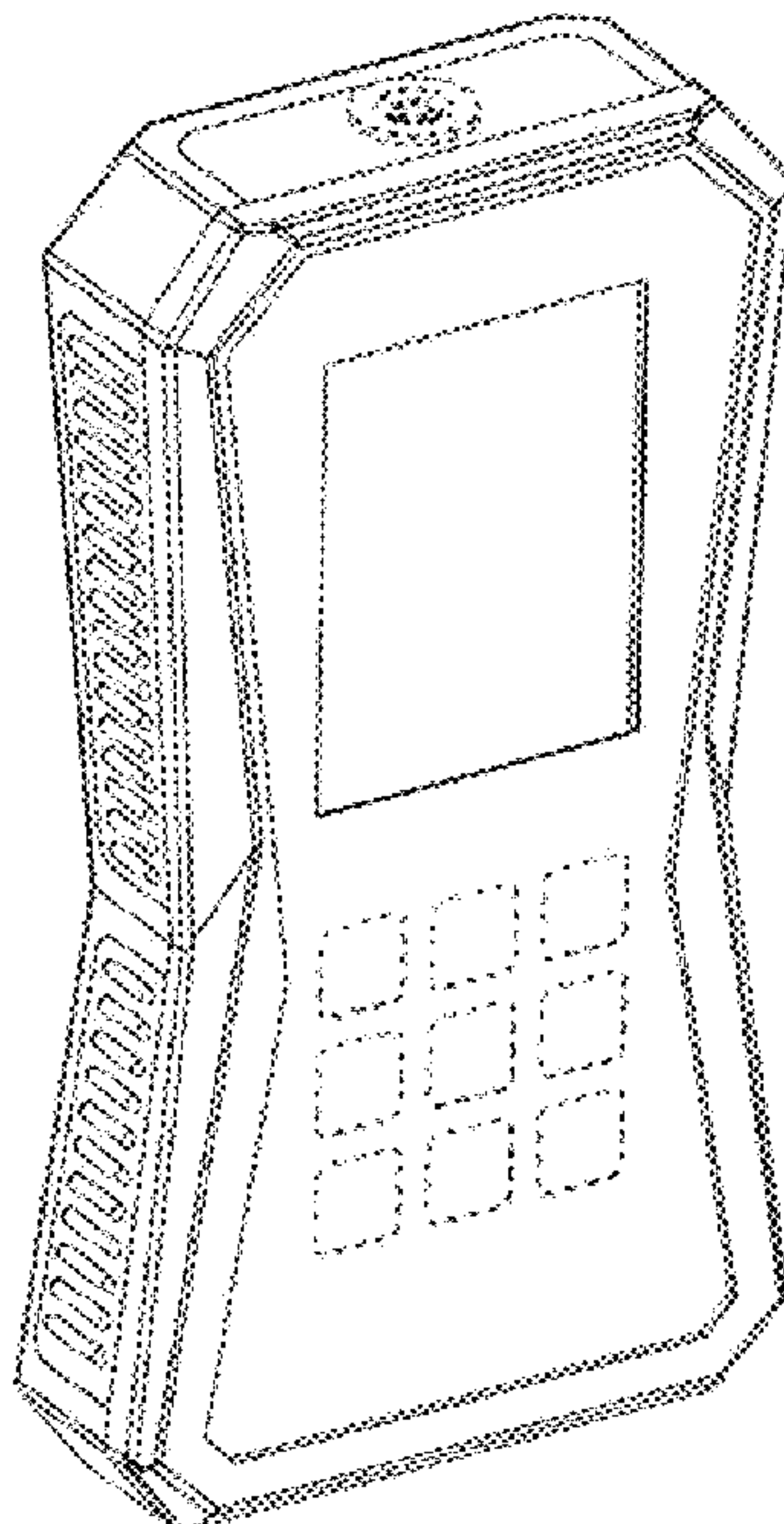
I claim the ornamental design for a casing for measuring instruments, as shown and described.

DESCRIPTION

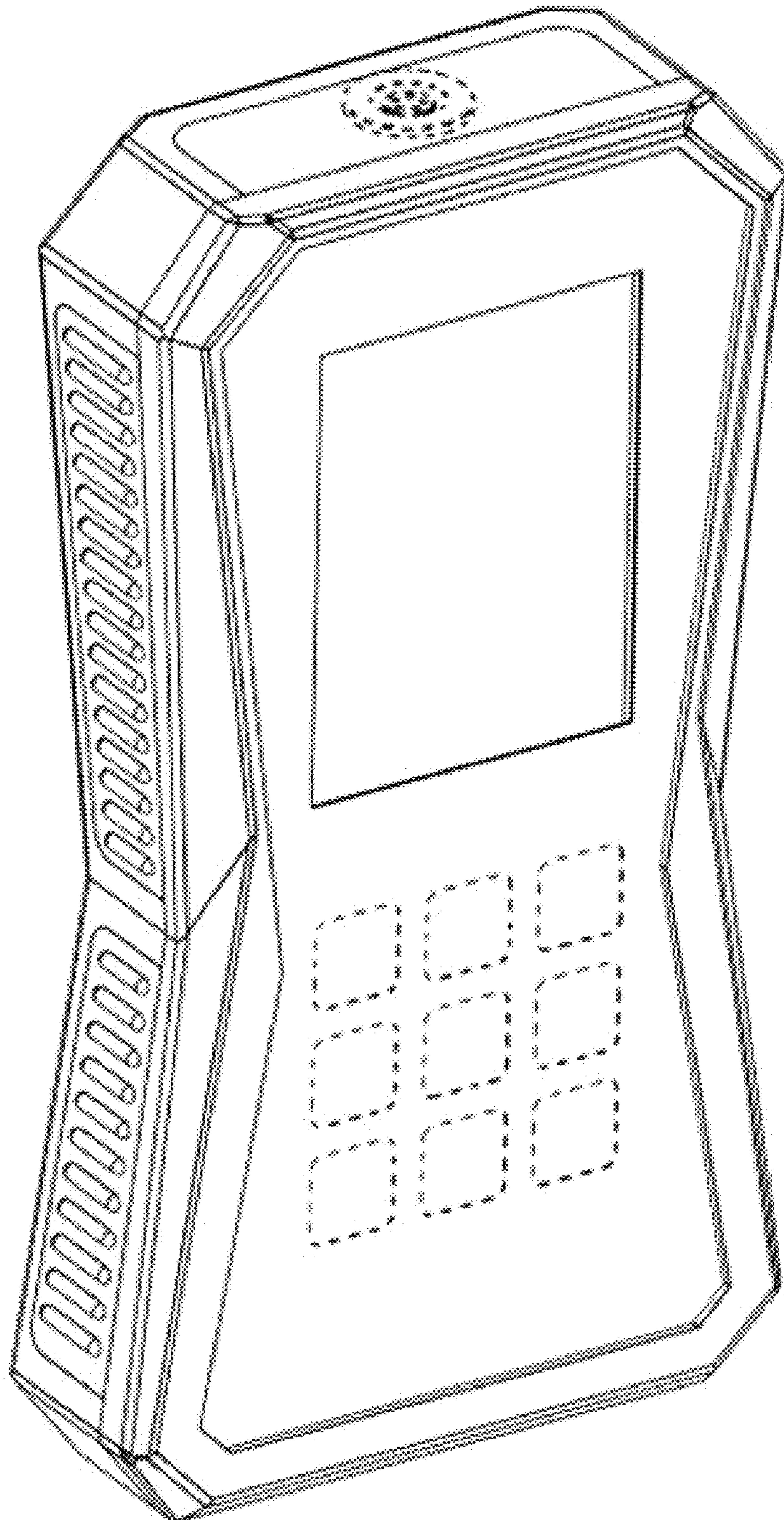
2.1 is a top, front, left side perspective view of a casing for measuring instruments showing my new design;
 2.2 is a left side view thereof;
 2.3 is a right side view thereof;
 2.4 is a top view thereof;
 2.5 is a bottom view thereof;
 2.6 is a front view thereof; and
 2.7 is a rear view thereof.

The broken lines in the figures show features that form no part of the claimed design.

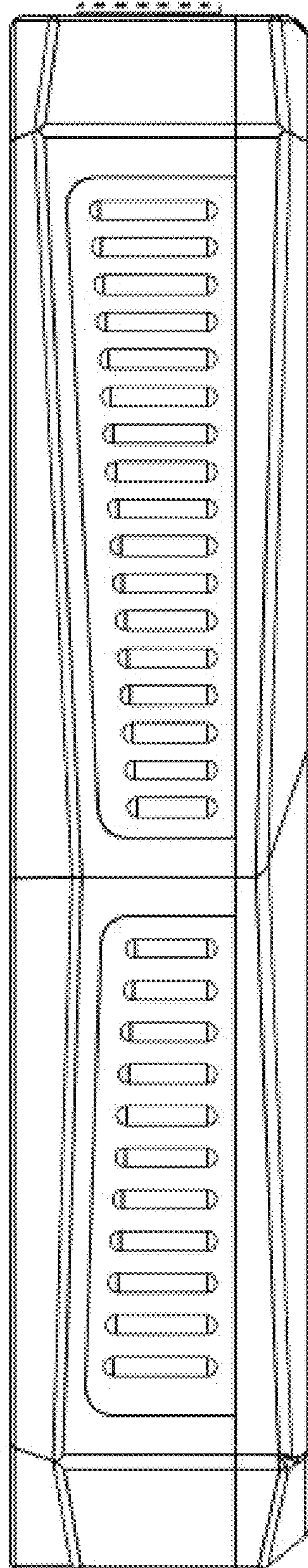
1 Claim, 7 Drawing Sheets



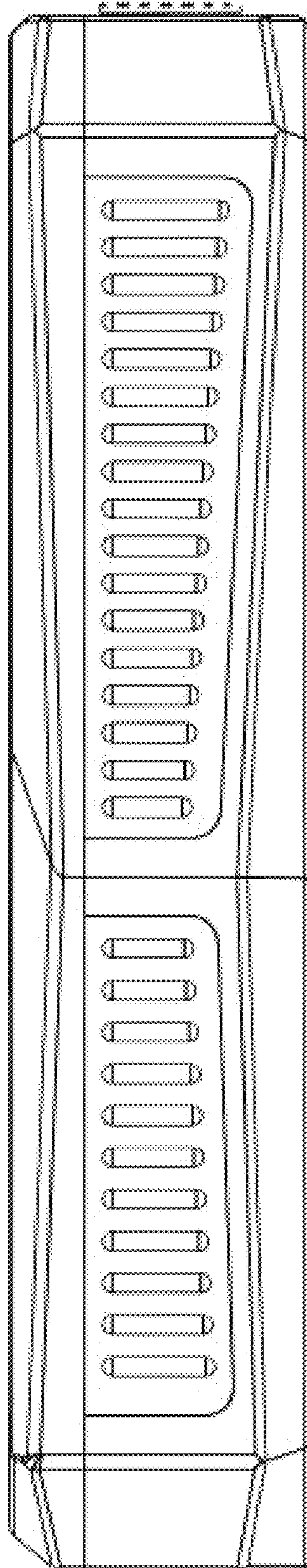
2.1



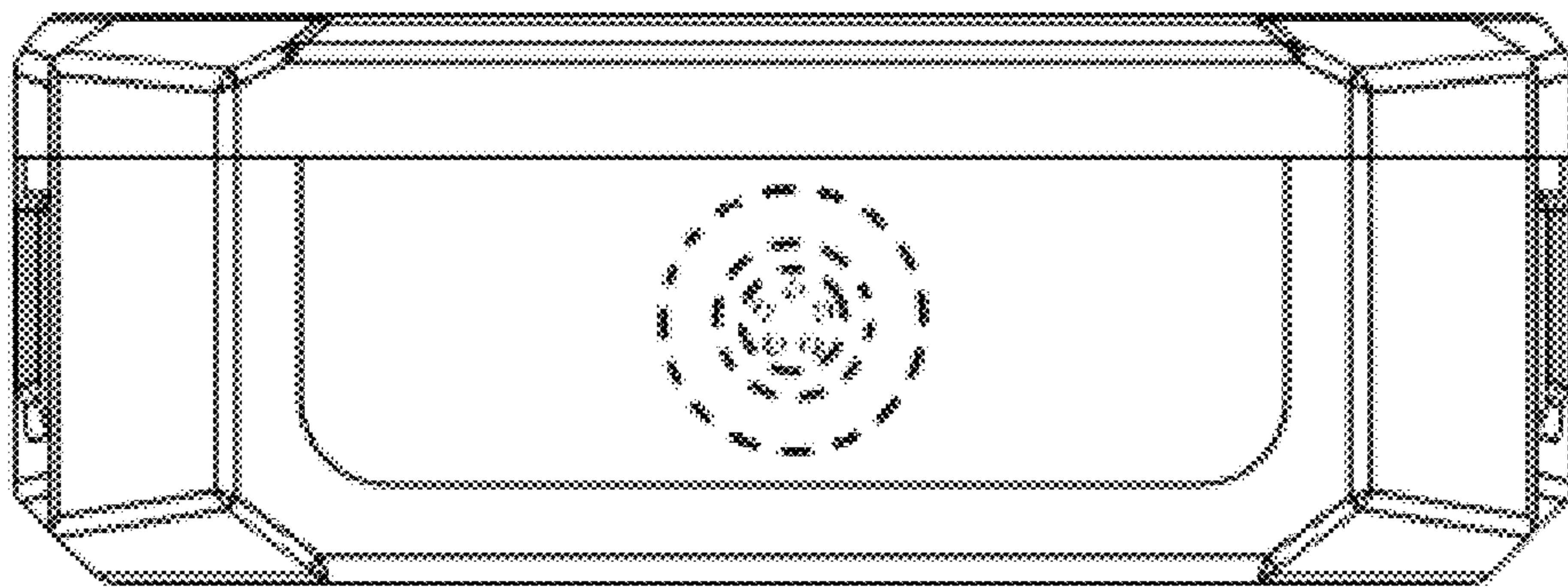
2.2



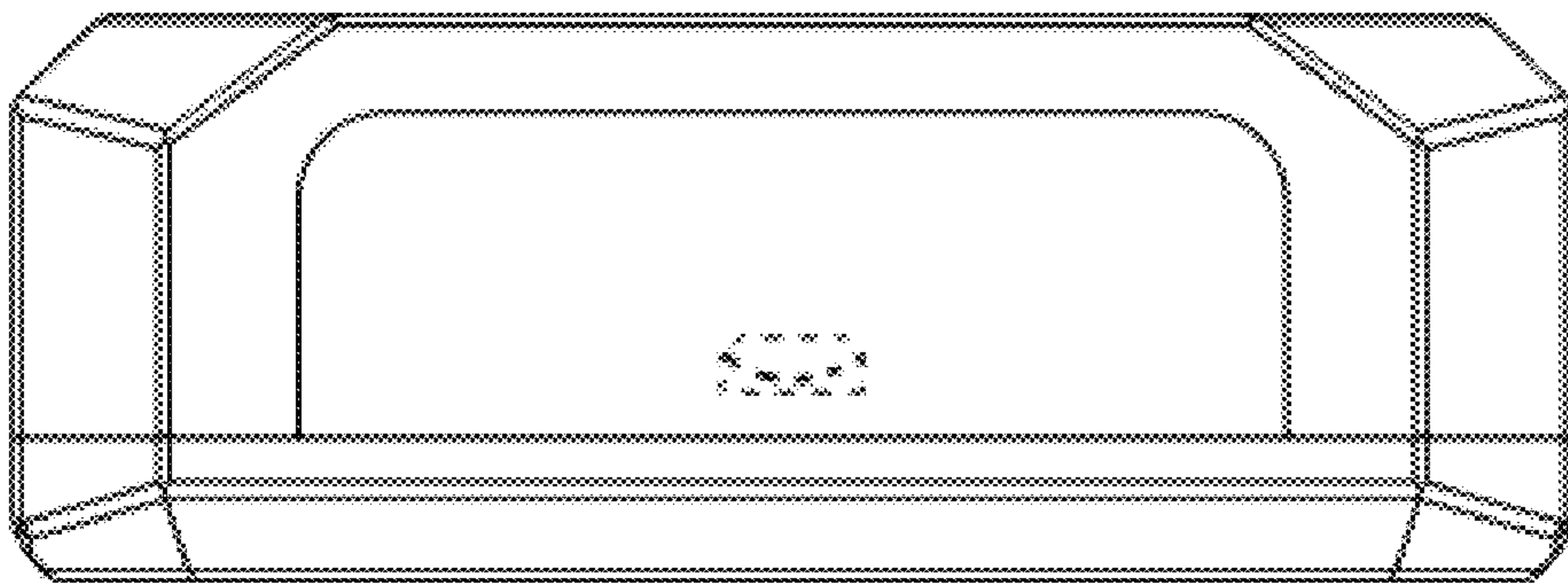
2.3



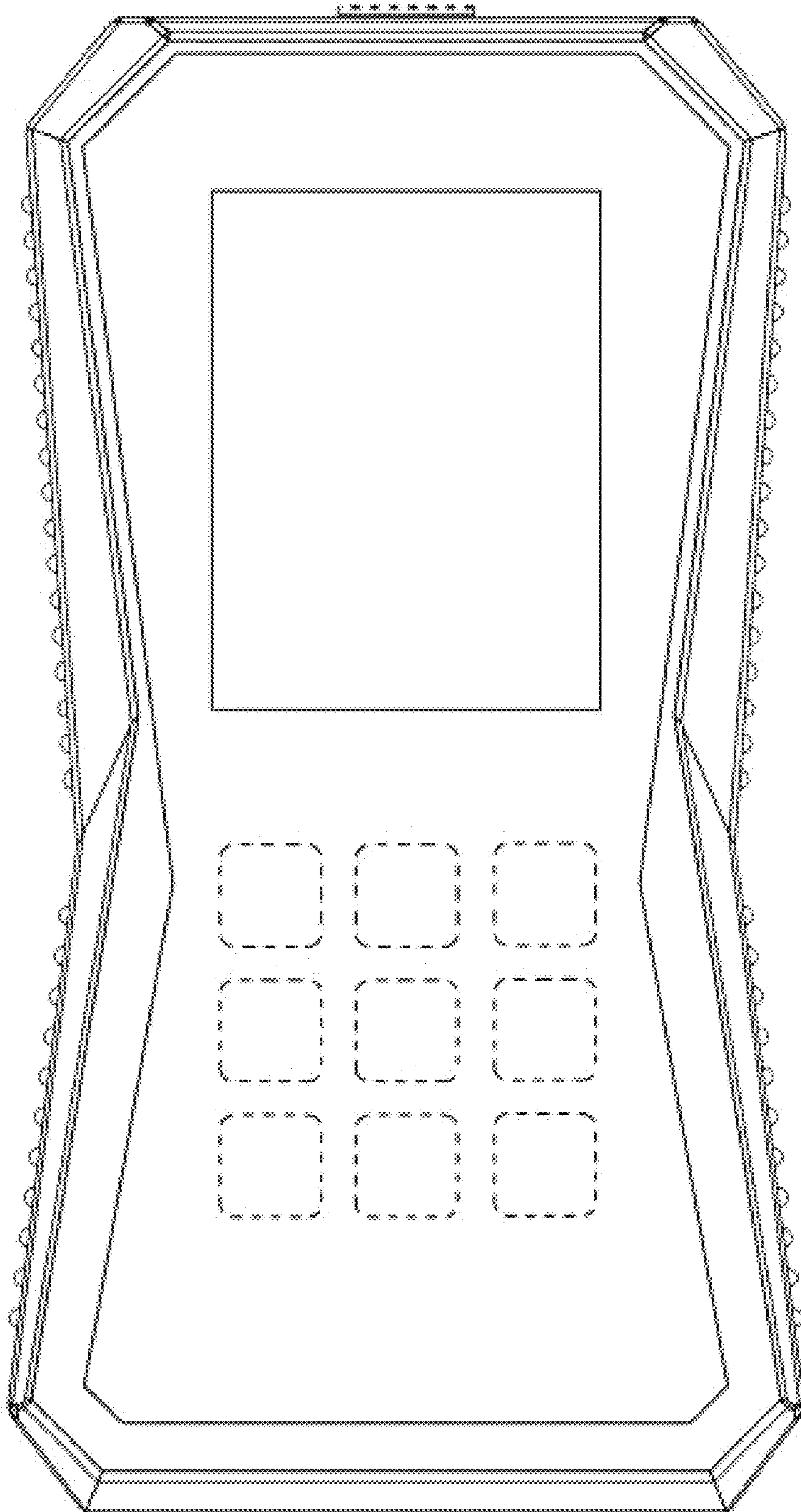
2.4



2.5



2.6



2.7

