

US00D964194S

(12) **United States Design Patent**  
**Pennebaker, III**

(10) **Patent No.:** **US D964,194 S**

(45) **Date of Patent:** **\*\* Sep. 20, 2022**

(54) **SLOPED WIRELESS SENSOR SYSTEM**

(71) Applicant: **E. Strode Pennebaker, III**, Houston,  
TX (US)

(72) Inventor: **E. Strode Pennebaker, III**, Houston,  
TX (US)

(\*\*) Term: **15 Years**

(21) Appl. No.: **29/748,397**

(22) Filed: **Aug. 28, 2020**

(51) **LOC (13) Cl.** ..... **10-05**

(52) **U.S. Cl.**  
USPC ..... **D10/75**

(58) **Field of Classification Search**

USPC ..... D10/75, 65, 70, 81; D12/192; D3/207,  
D3/208; D14/216, 230  
CPC . G06F 3/16; G08B 3/00; H04M 11/00; H04N  
7/14; H04N 7/26

See application file for complete search history.

(56) **References Cited**

**U.S. PATENT DOCUMENTS**

D475,641 S *	6/2003	Glasson	.....	D10/65
D476,242 S *	6/2003	Glasson	.....	D10/65
D620,884 S *	8/2010	Lee	.....	D13/108
D645,047 S *	9/2011	Wike	.....	D14/447
D720,752 S *	1/2015	Bleeds	.....	D14/420
D753,108 S *	4/2016	Kuwabara	.....	D14/344
D786,200 S *	5/2017	Lagerstedt	.....	D13/168
D810,045 S *	2/2018	Kim	.....	D14/204
D827,151 S *	8/2018	Nakagawa	.....	D24/224
D839,755 S *	2/2019	Du	.....	D10/52
D883,374 S *	5/2020	Li	.....	D18/4.4
D885,436 S *	5/2020	Mangum	.....	D14/496

D917,775 S *	4/2021	Mueller	.....	D26/118
D927,550 S *	8/2021	Mangum	.....	D14/496
2003/0079956 A1 *	5/2003	Reimer	.....	B65G 33/22 193/1
2019/0026056 A1 *	1/2019	Wang	.....	G06F 1/1613

\* cited by examiner

*Primary Examiner* — George D. Kirschbaum

*Assistant Examiner* — Antoinette Martine Suiter

(74) *Attorney, Agent, or Firm* — Osha Bergman Watanabe  
& Burton LLP

(57) **CLAIM**

The ornamental design for a sloped wireless sensor system,  
as shown and described.

**DESCRIPTION**

FIG. 1 is a perspective view of a sloped wireless sensor  
system of the new design;

FIG. 2 is a top view of the sloped wireless sensor system of  
FIG. 1;

FIG. 3 is a bottom view of the sloped wireless sensor system  
of FIG. 1;

FIG. 4 is a front view of the sloped wireless sensor system  
of FIG. 1;

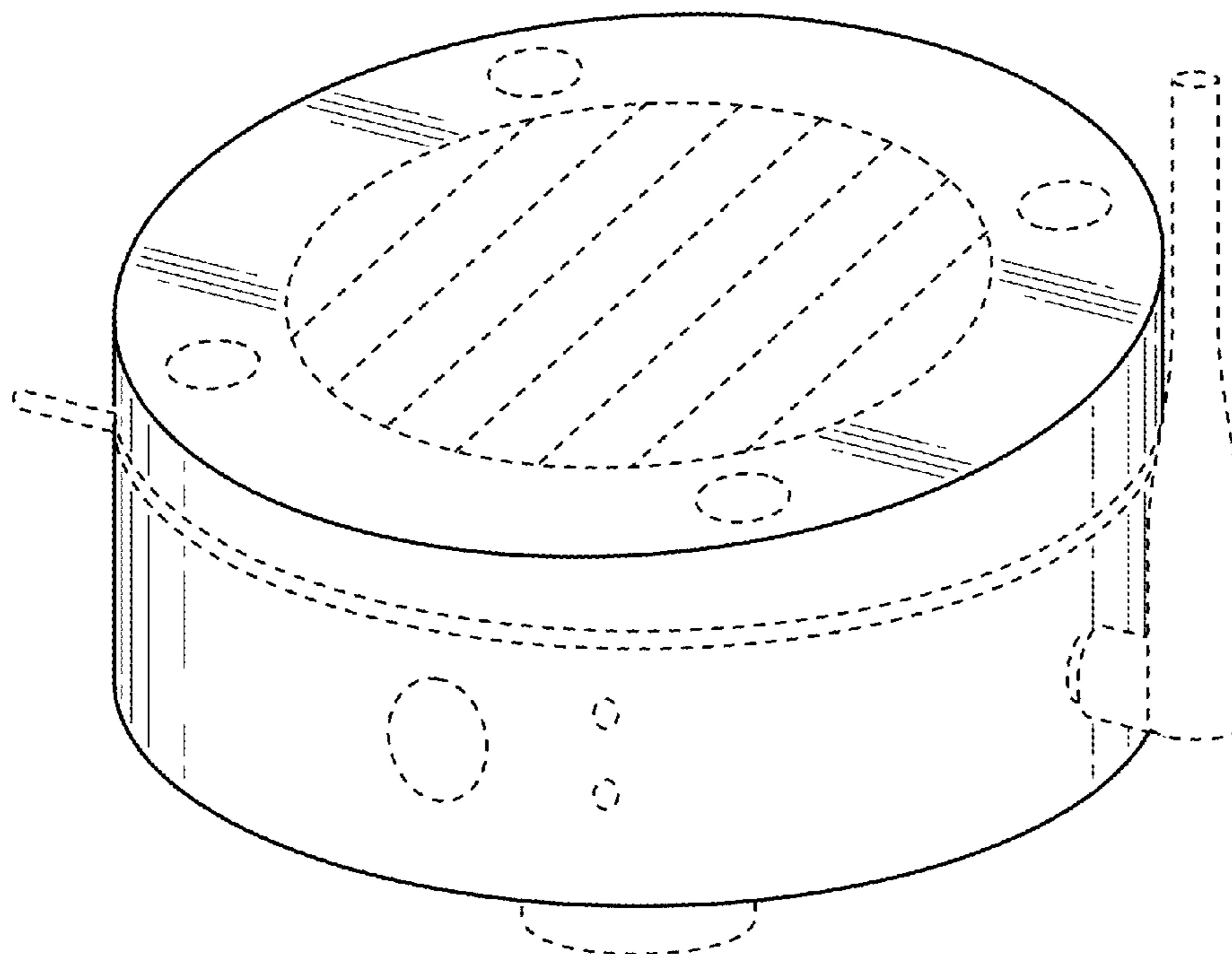
FIG. 5 is a rear view of the sloped wireless sensor system of  
FIG. 1;

FIG. 6 is a left side view of the sloped wireless sensor  
system of FIG. 1; and,

FIG. 7 is a right side view of the sloped wireless sensor  
system of FIG. 1.

The broken lines depict unclaimed portions of the sloped  
wireless sensor system and form no part of the claimed  
design.

**1 Claim, 4 Drawing Sheets**



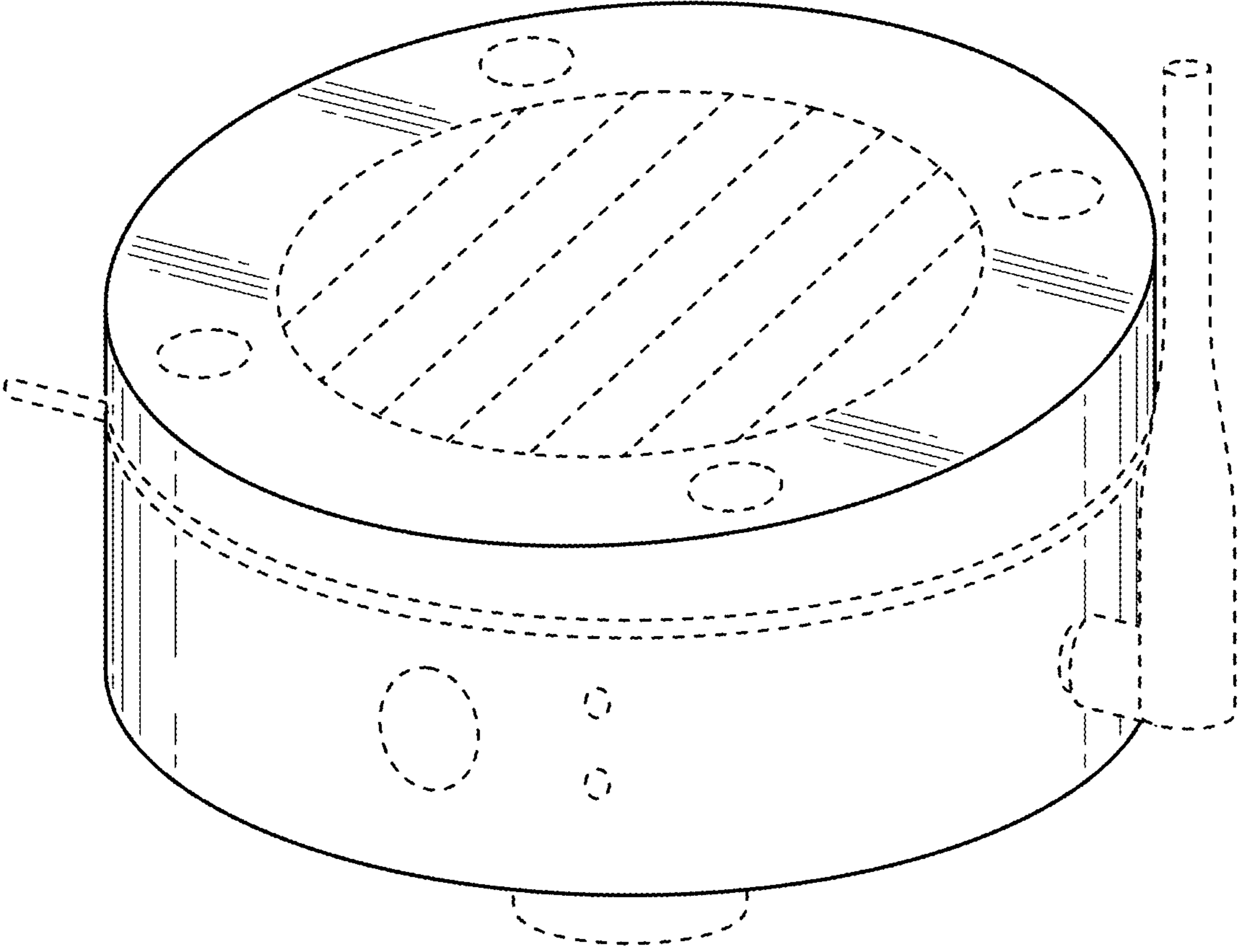
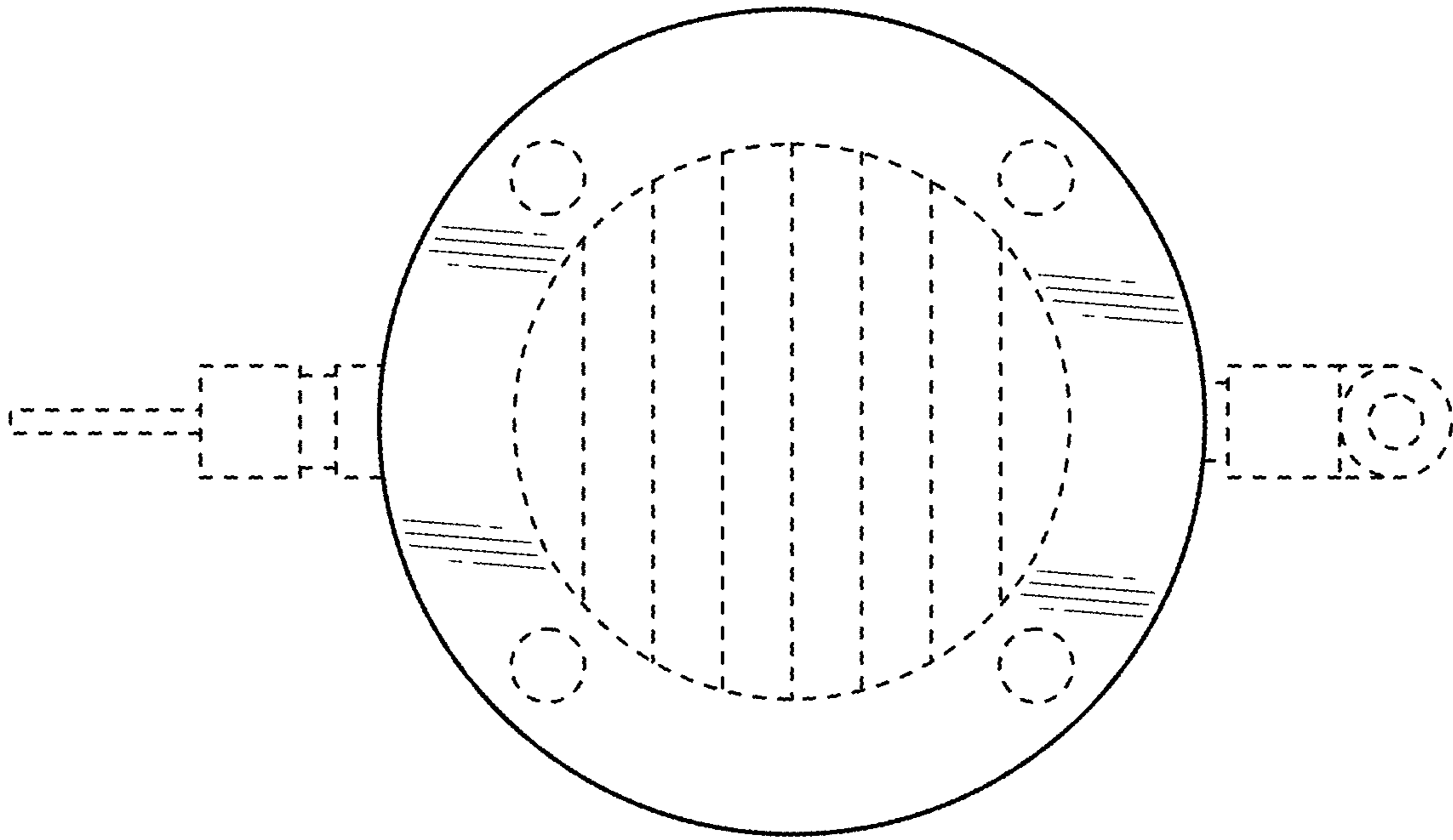
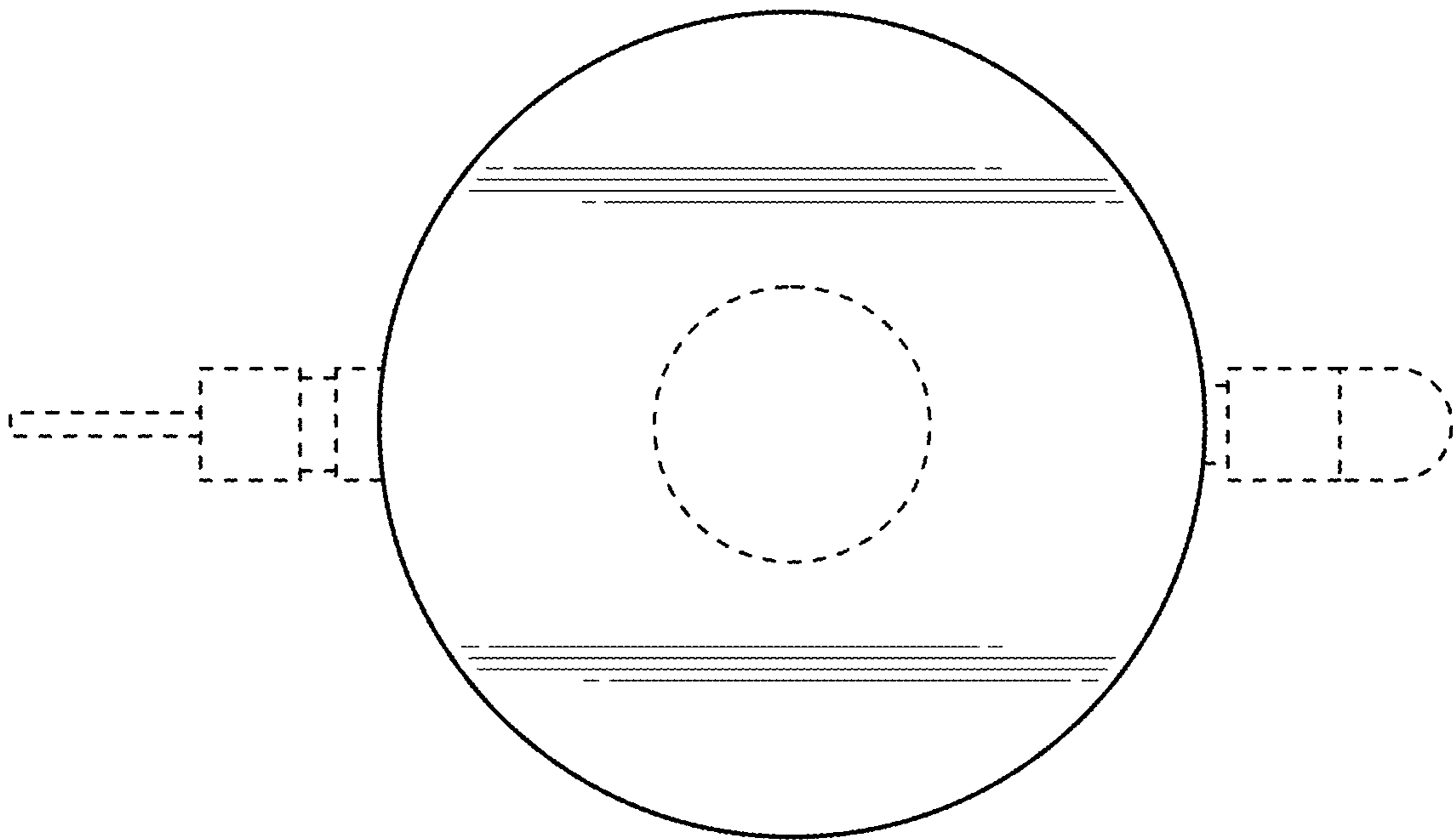


FIG. 1



**FIG. 2**



**FIG. 3**

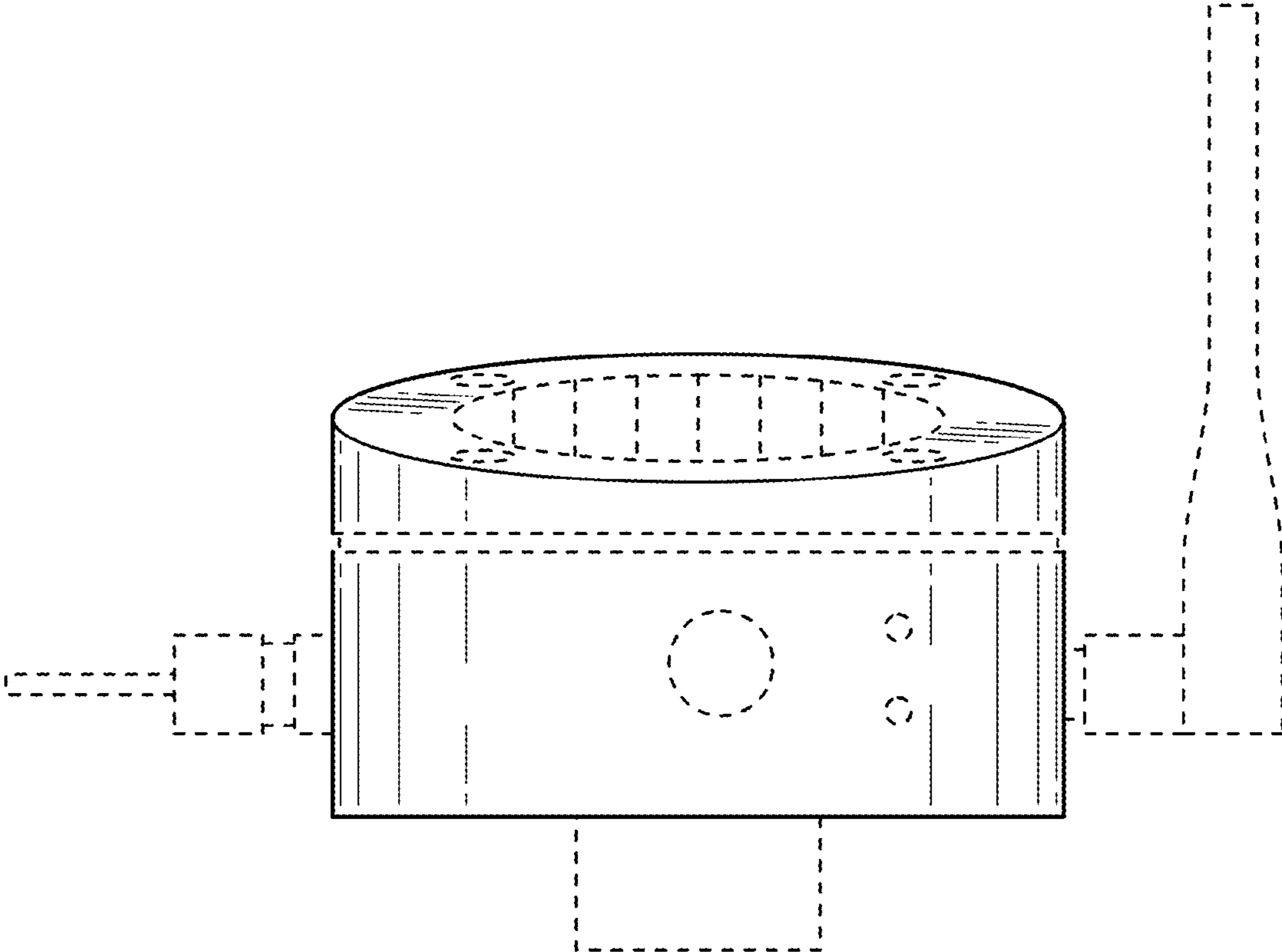


FIG. 4

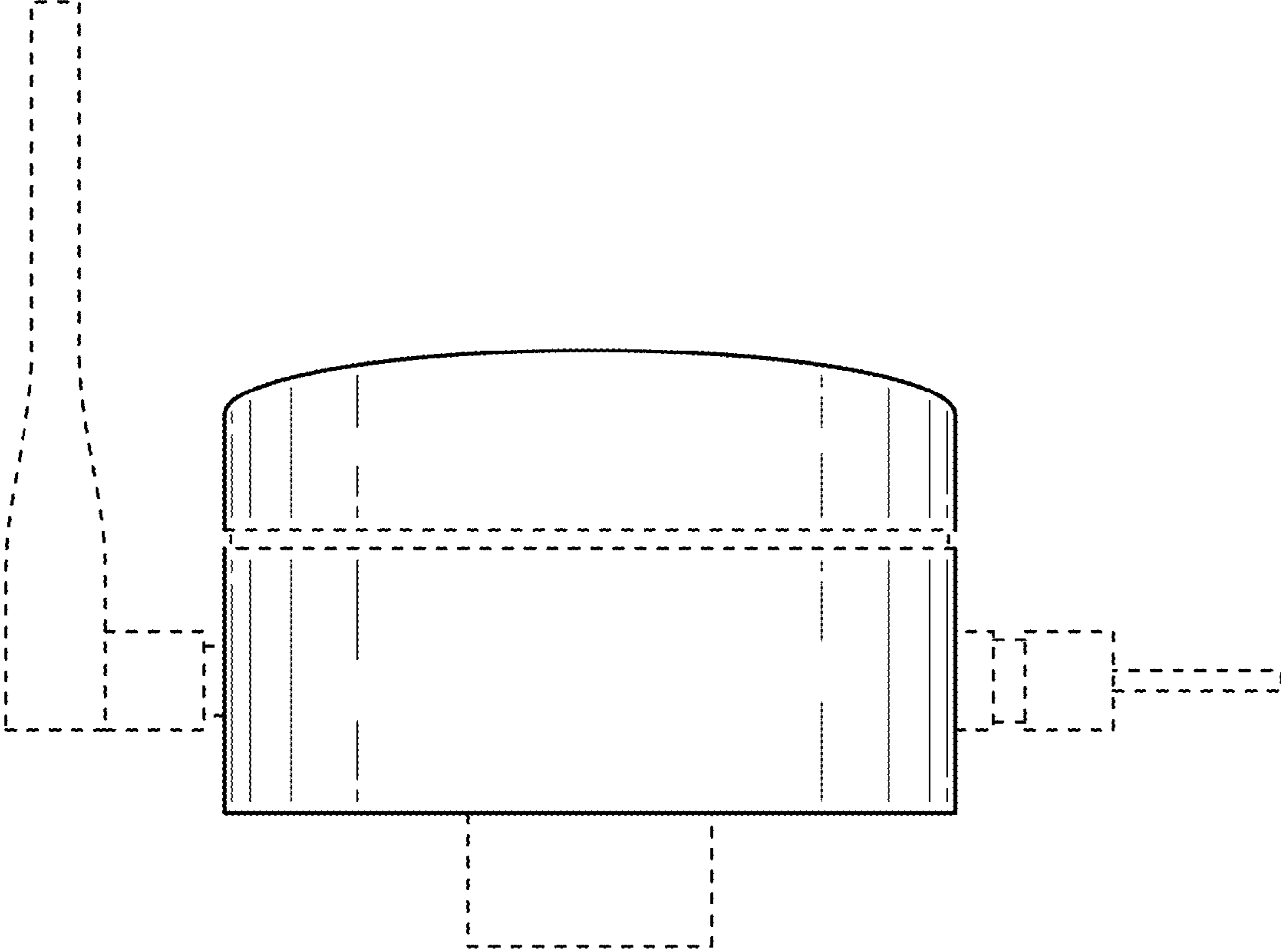
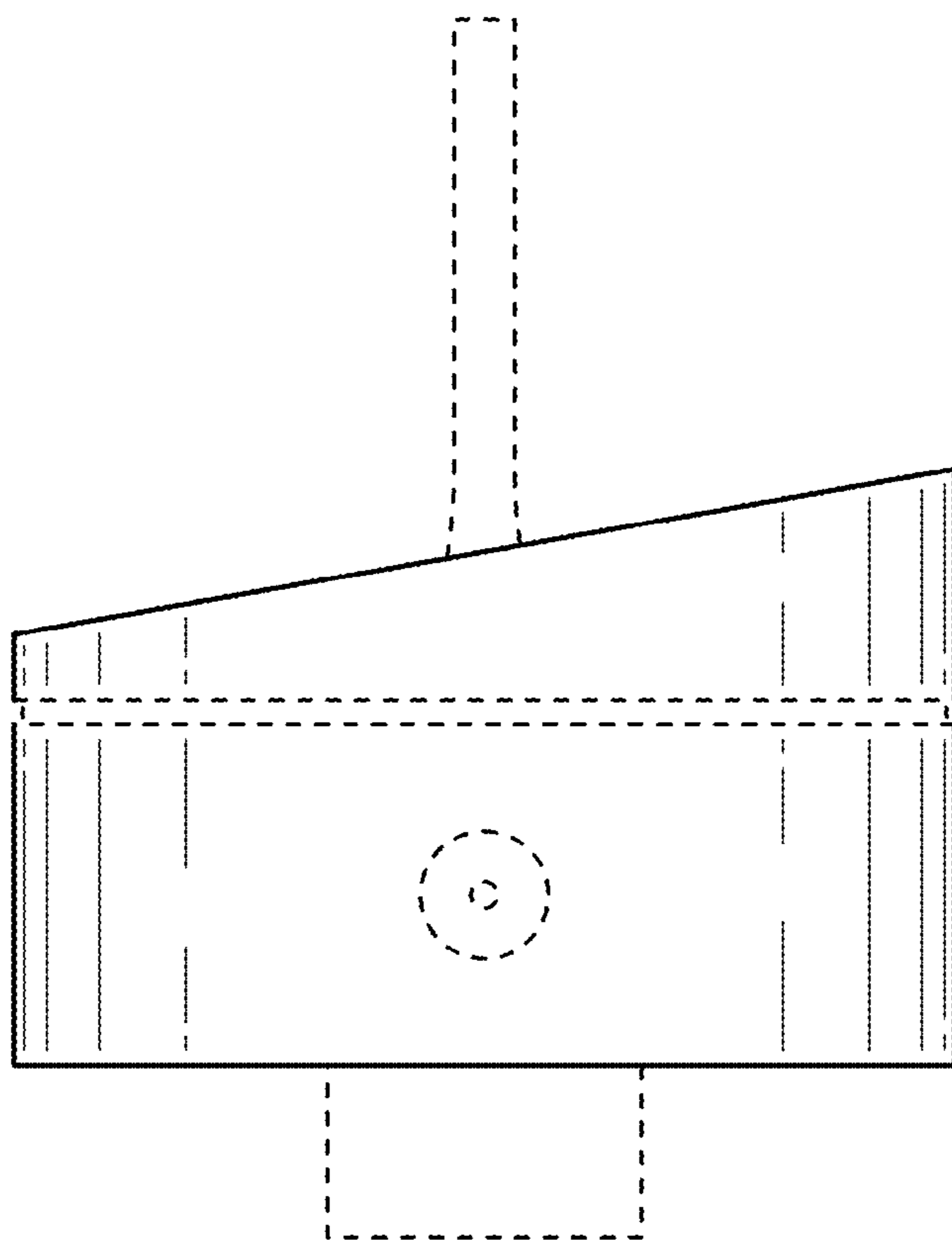
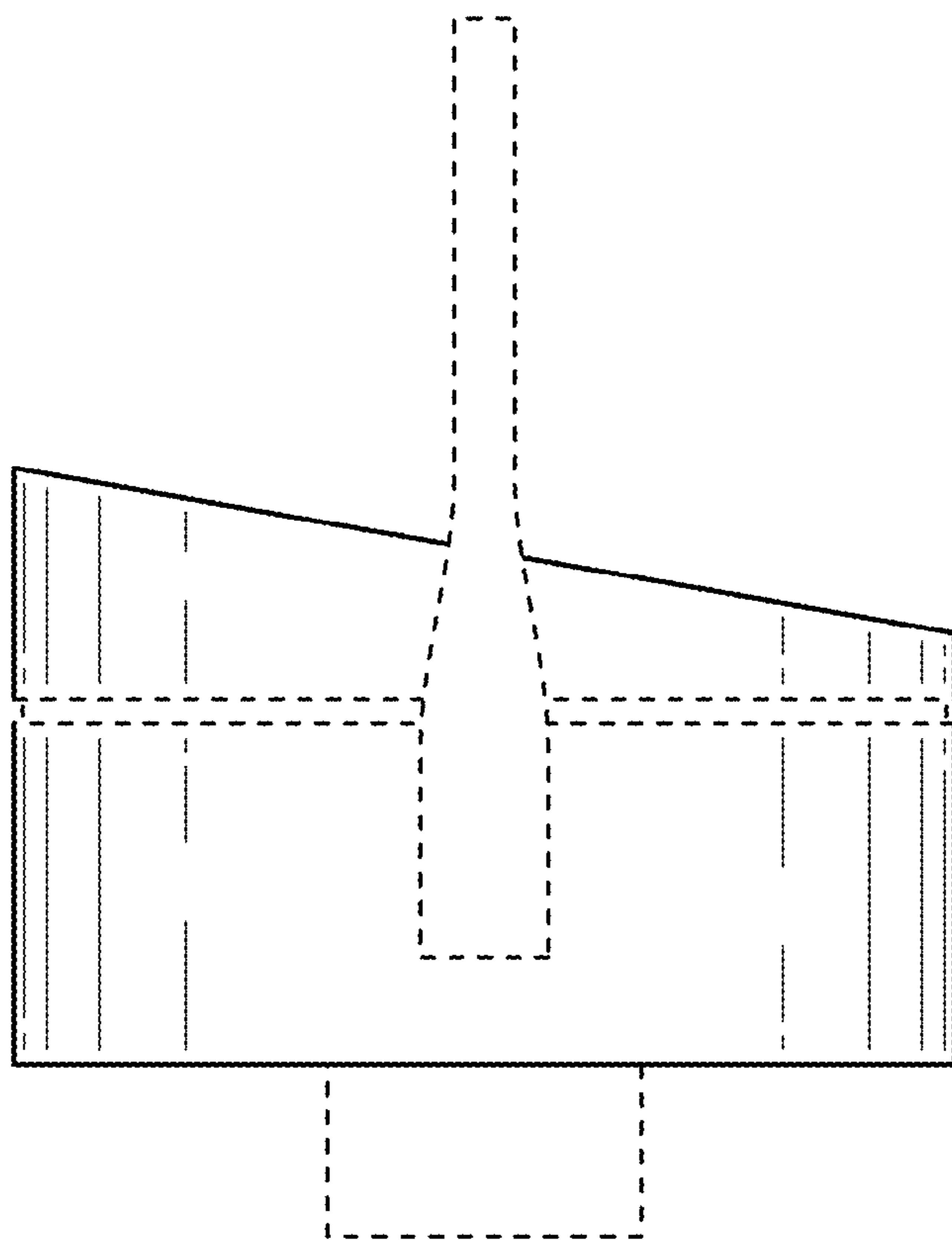


FIG. 5



**FIG. 6**



**FIG. 7**