



US00D964190S

(12) **United States Design Patent**
Xie

(10) **Patent No.:** **US D964,190 S**

(45) **Date of Patent:** **** Sep. 20, 2022**

(54) **POOL THERMOMETER**
(71) Applicant: **SHENZHEN YINGBOWEIYE TECHNOLOGY CO., LTD.**, Shenzhen (CN)

D723,950 S * 3/2015 Chalifoux D10/58
D726,034 S * 4/2015 Chalifoux D10/58
D837,667 S * 1/2019 Wang D10/60
D860,830 S * 9/2019 Carrière D10/57
D896,107 S * 9/2020 Bruneel D10/57
D920,140 S * 5/2021 Wang E04H 4/14
D10/57

(72) Inventor: **Jinghua Xie**, Shenzhen (CN)

* cited by examiner

(**) Term: **15 Years**

Primary Examiner — Antoine Duval Davis

(21) Appl. No.: **29/771,225**

(22) Filed: **Feb. 21, 2021**

(51) **LOC (13) Cl.** **10-04**

(52) **U.S. Cl.**
USPC **D10/57**

(58) **Field of Classification Search**
USPC D10/57
CPC G01K 1/024; G01K 1/08; G01K 13/026
See application file for complete search history.

(57) **CLAIM**

The ornamental design for a pool thermometer, as shown and described.

DESCRIPTION

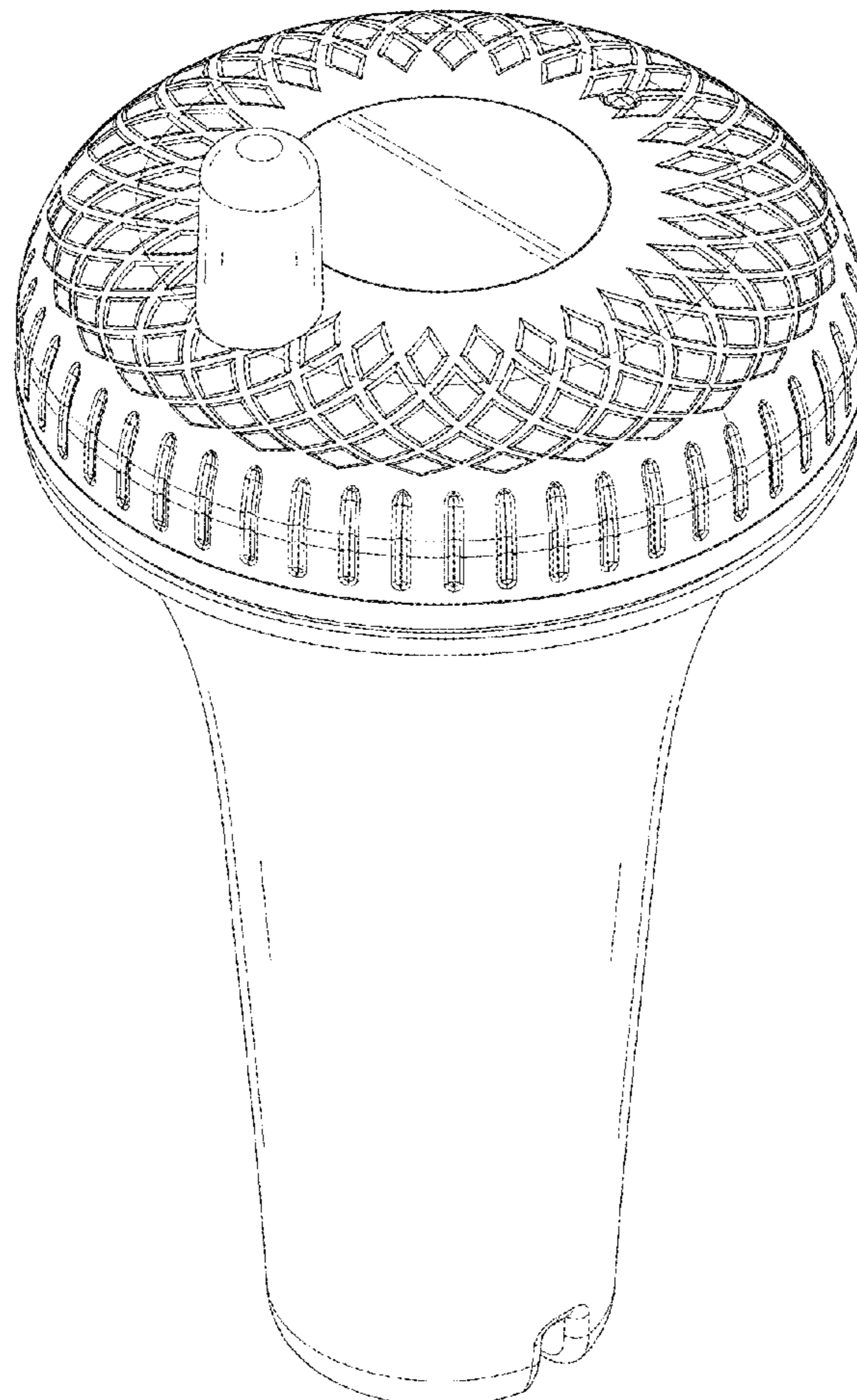
FIG. 1 is a front, right side, top perspective view of a pool thermometer showing my new design;
FIG. 2 is a front elevational view thereof;
FIG. 3 is a rear elevational view thereof;
FIG. 4 is a left side elevational view thereof;
FIG. 5 is a right side elevational view thereof;
FIG. 6 is a top plan view thereof; and,
FIG. 7 is a bottom plan view thereof.

(56) **References Cited**

U.S. PATENT DOCUMENTS

5,152,610 A * 10/1992 Hallett E04H 4/14
374/208
D688,957 S * 9/2013 Rossano D10/57

1 Claim, 7 Drawing Sheets



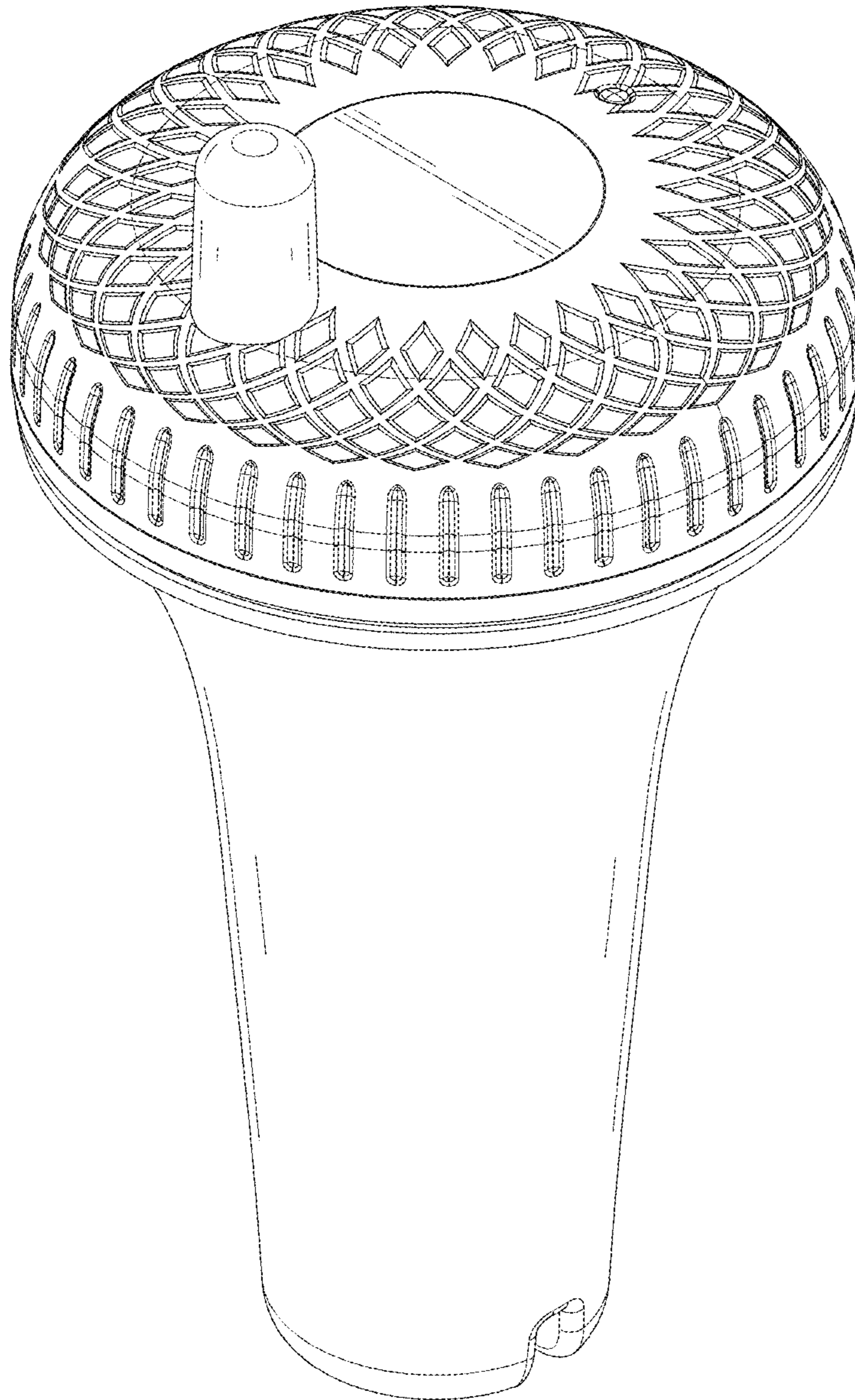


FIG.1

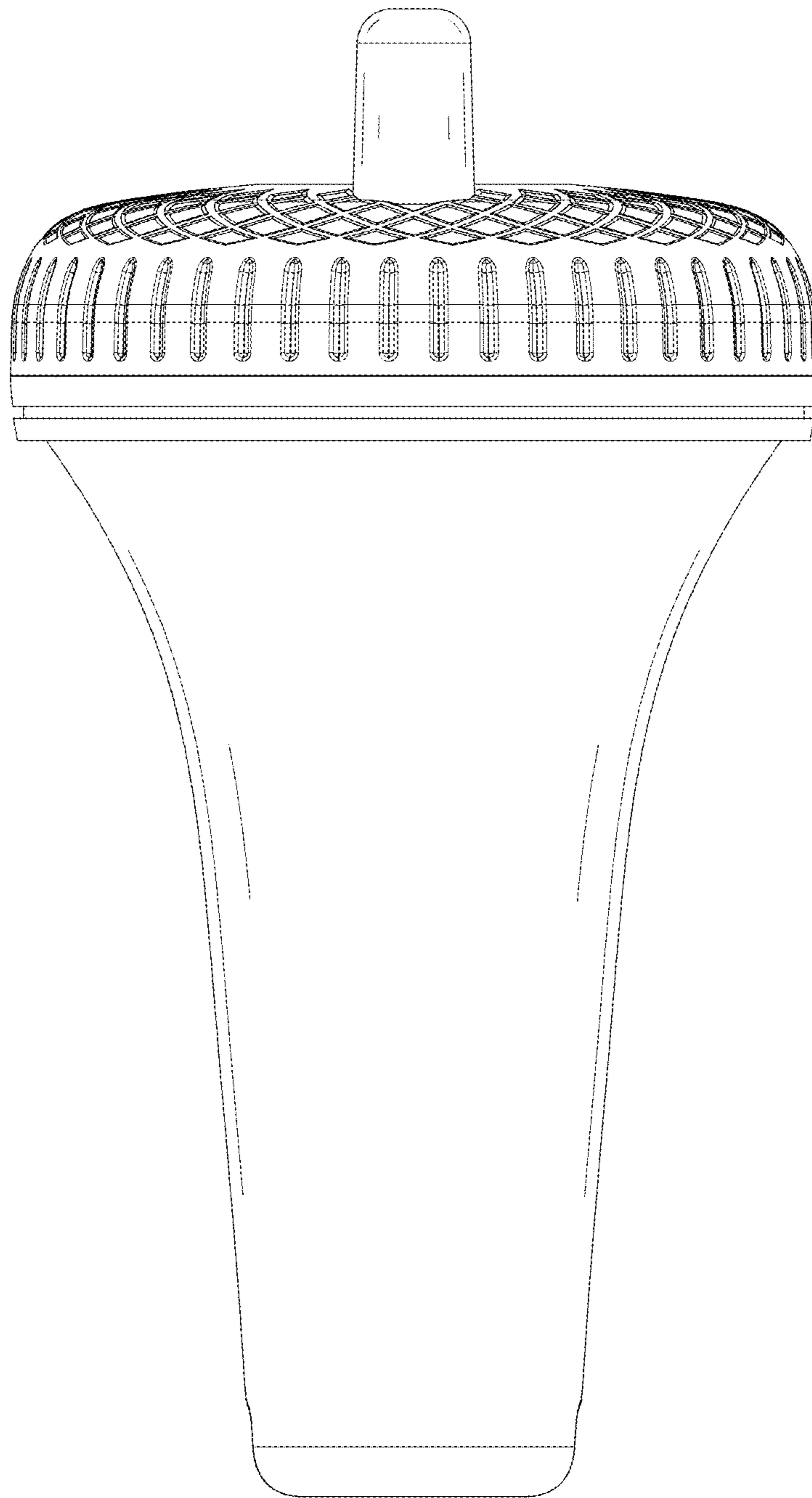


FIG.2

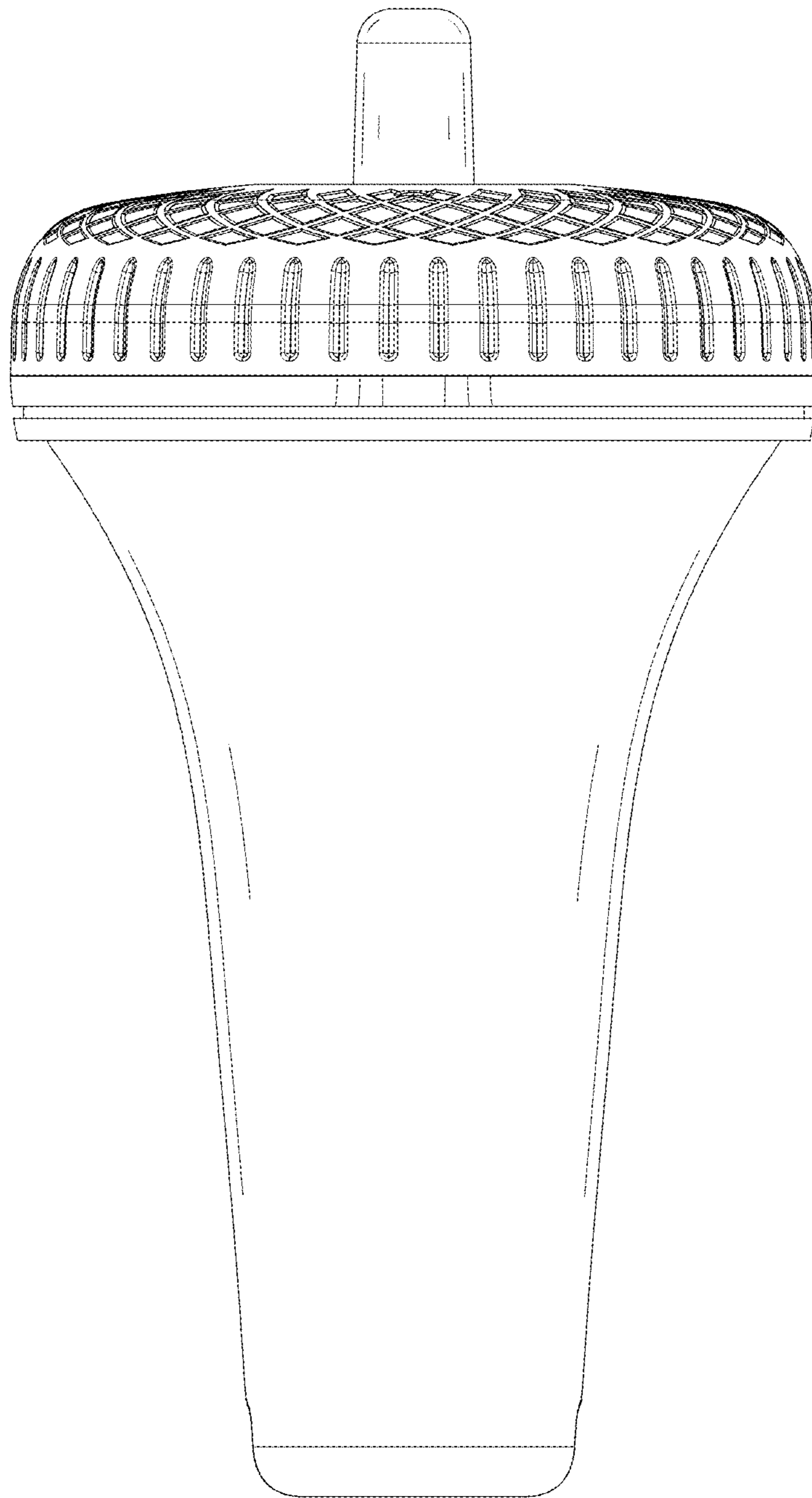


FIG. 3

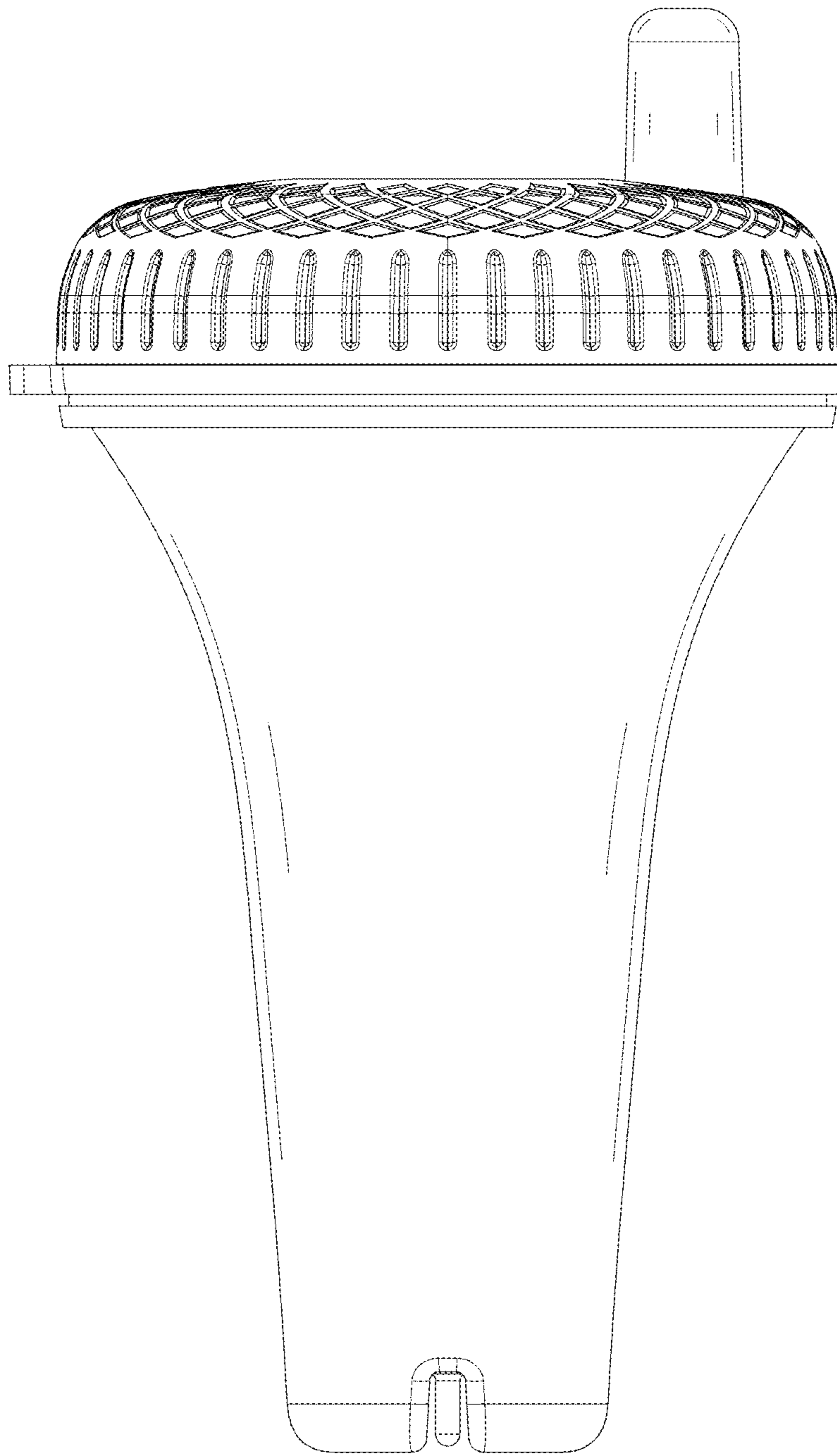


FIG. 4

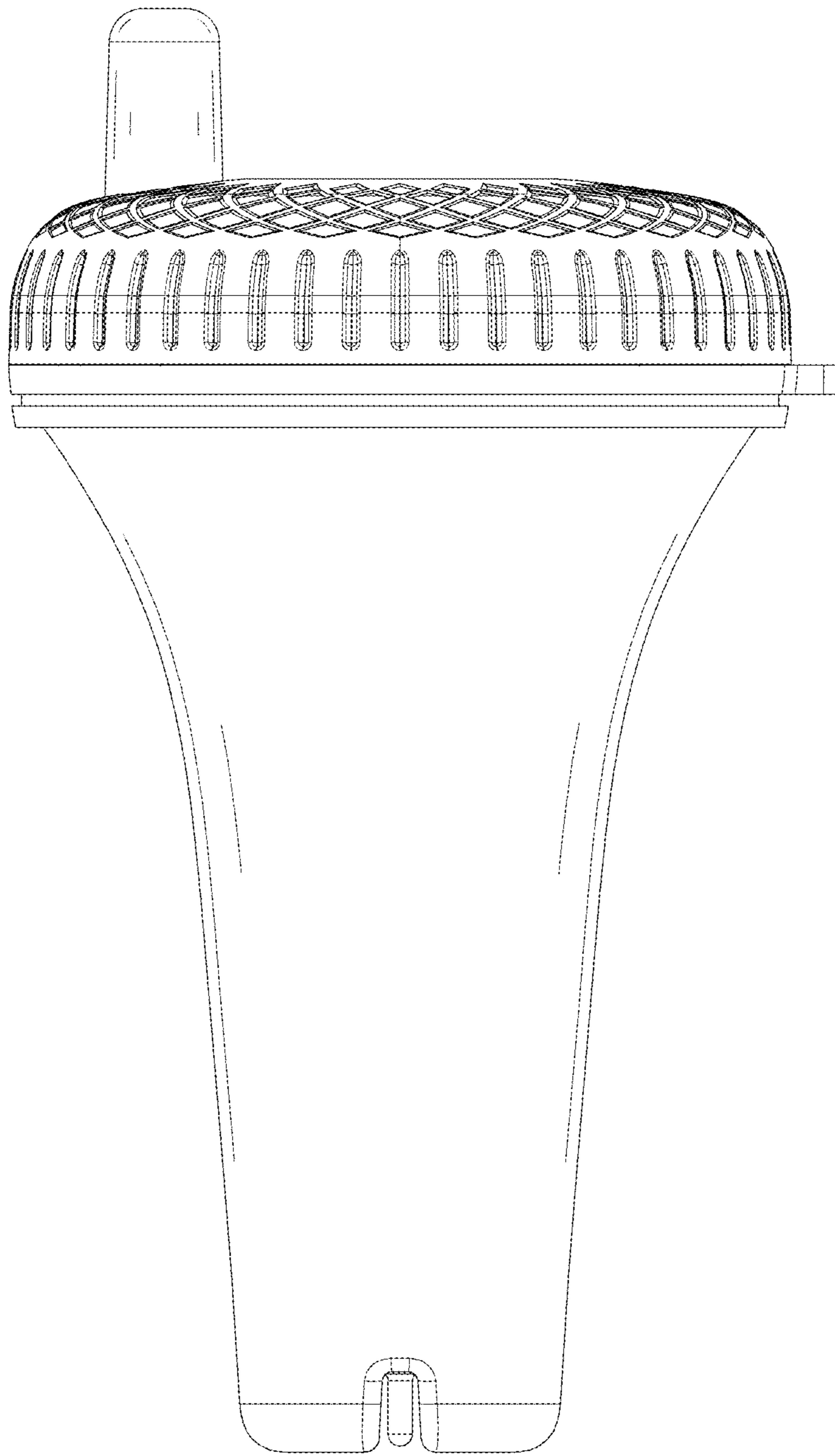


FIG. 5

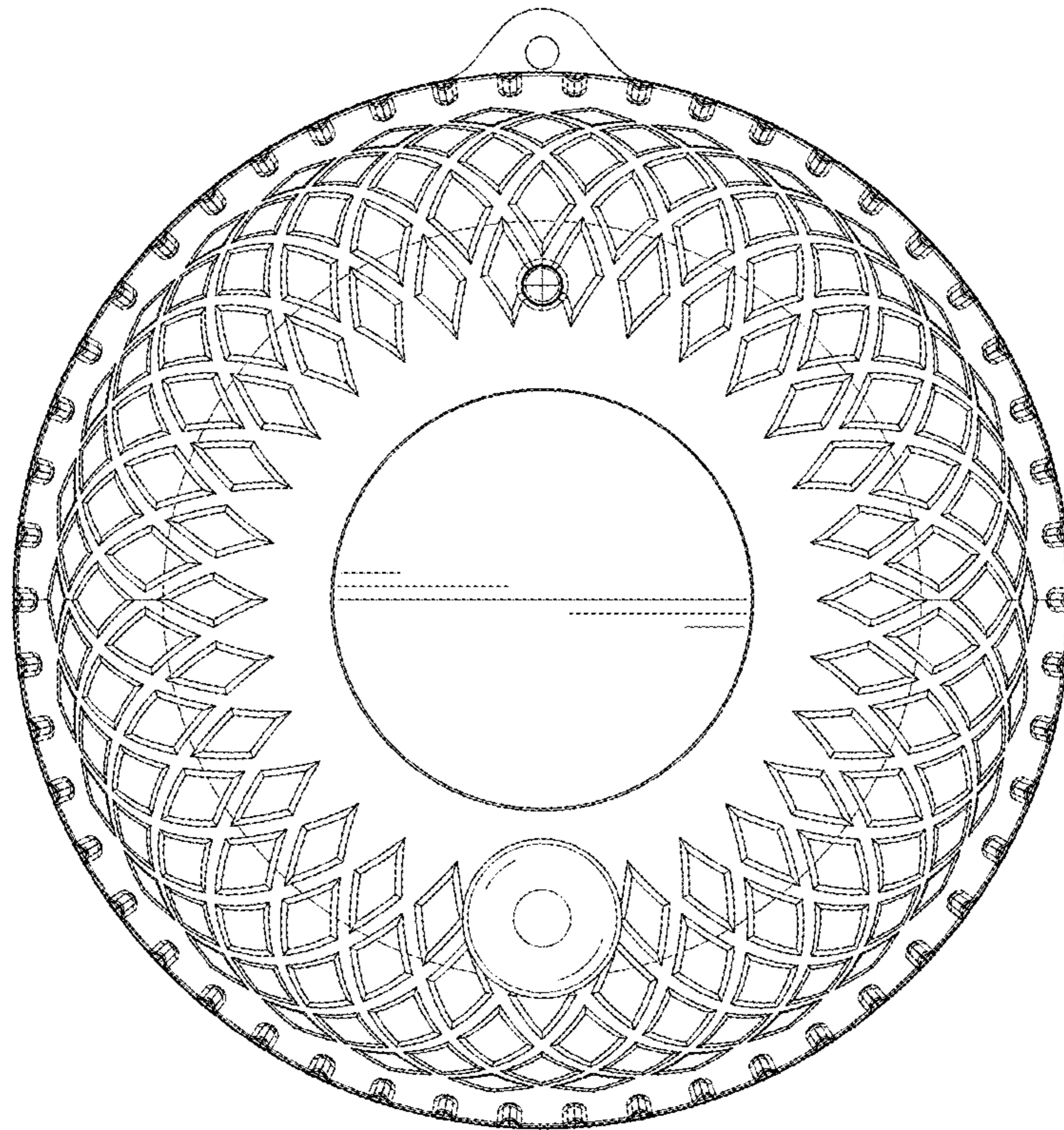


FIG.6

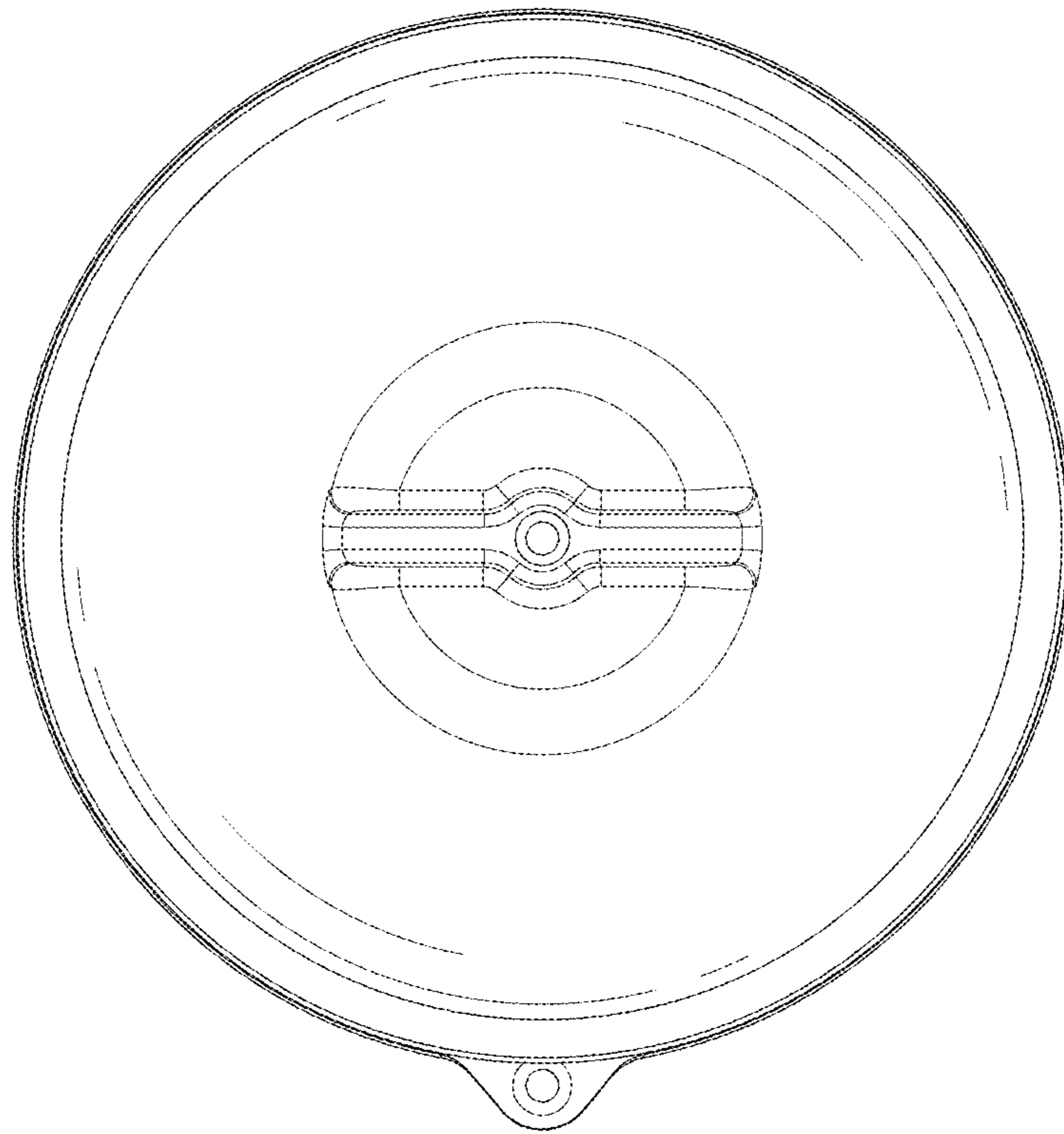


FIG.7