

US00D964189S

(12) **United States Design Patent**
Xie

(10) **Patent No.:** **US D964,189 S**

(45) **Date of Patent:** **** Sep. 20, 2022**

(54) **BBQ THERMOMETER**

D926,056 S * 7/2021 Lagerstedt D10/57
D932,927 S * 10/2021 Wu D10/57
D947,043 S * 3/2022 Wu D10/57

(71) Applicant: **SHENZHEN YINGBOWEIYE TECHNOLOGY CO., LTD.**, Shenzhen (CN)

* cited by examiner

(72) Inventor: **Jinghua Xie**, Shenzhen (CN)

Primary Examiner — Antoine Duval Davis

(**) Term: **15 Years**

(57) **CLAIM**

(21) Appl. No.: **29/771,206**

The ornamental design for a BBQ thermometer, as shown and described.

(22) Filed: **Feb. 21, 2021**

(51) **LOC (13) Cl.** **10-04**

(52) **U.S. Cl.**

USPC **D10/57**

(58) **Field of Classification Search**

USPC D10/57

CPC G01K 2207/02; G01K 2207/04; G01K 2207/06; G01K 2207/08

See application file for complete search history.

DESCRIPTION

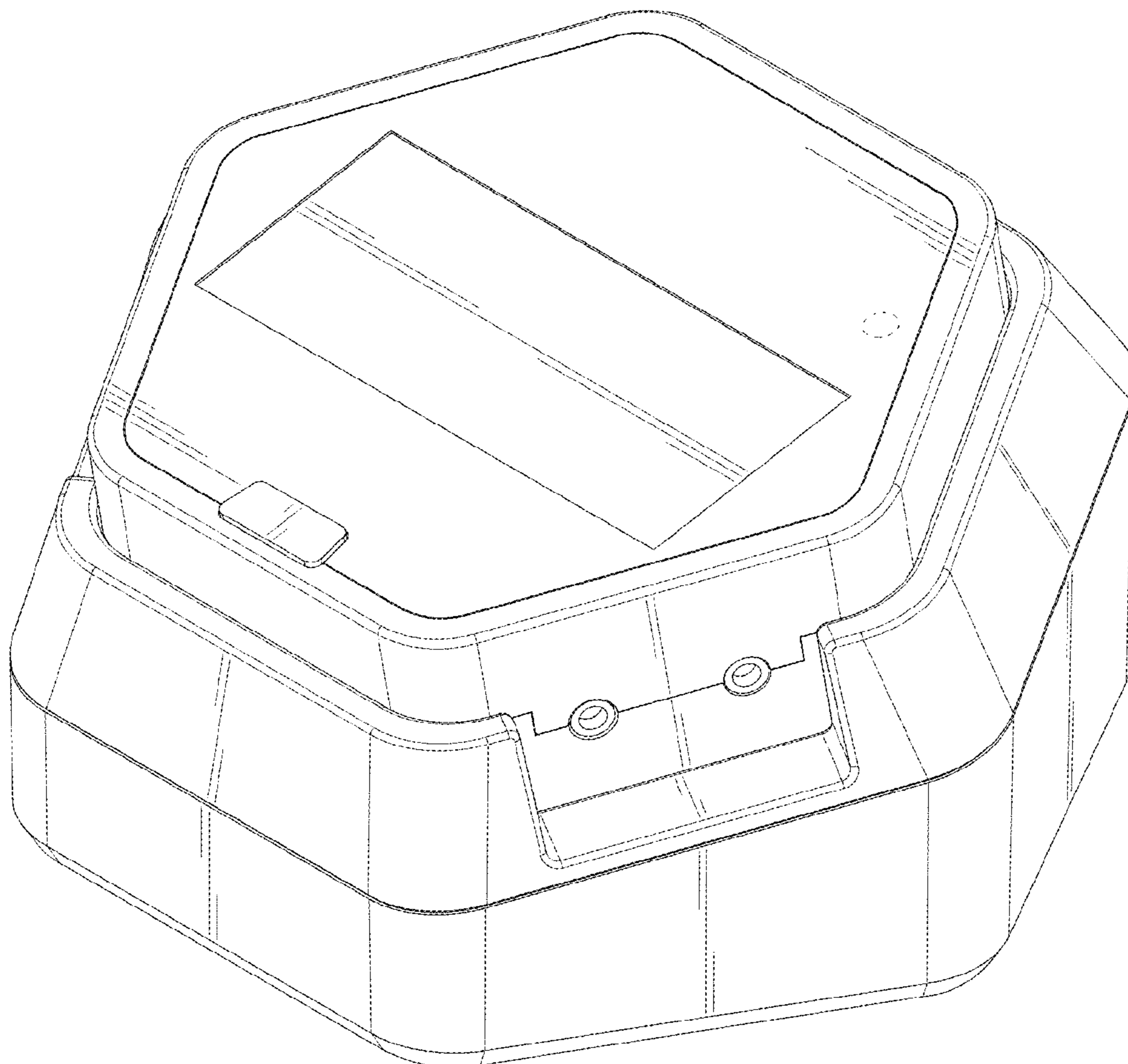
FIG. 1 is a front, right side, top perspective view of a BBQ thermometer showing my new design;
FIG. 2 is a rear, left side, bottom perspective view thereof;
FIG. 3 is a front elevational view thereof;
FIG. 4 is a rear elevational view thereof;
FIG. 5 is a left side elevational view thereof;
FIG. 6 is a right side elevational view thereof;
FIG. 7 is a top plan view thereof; and,
FIG. 8 is a bottom plan view thereof.

(56) **References Cited**

U.S. PATENT DOCUMENTS

D884,497 S * 5/2020 Tang D10/57

1 Claim, 8 Drawing Sheets



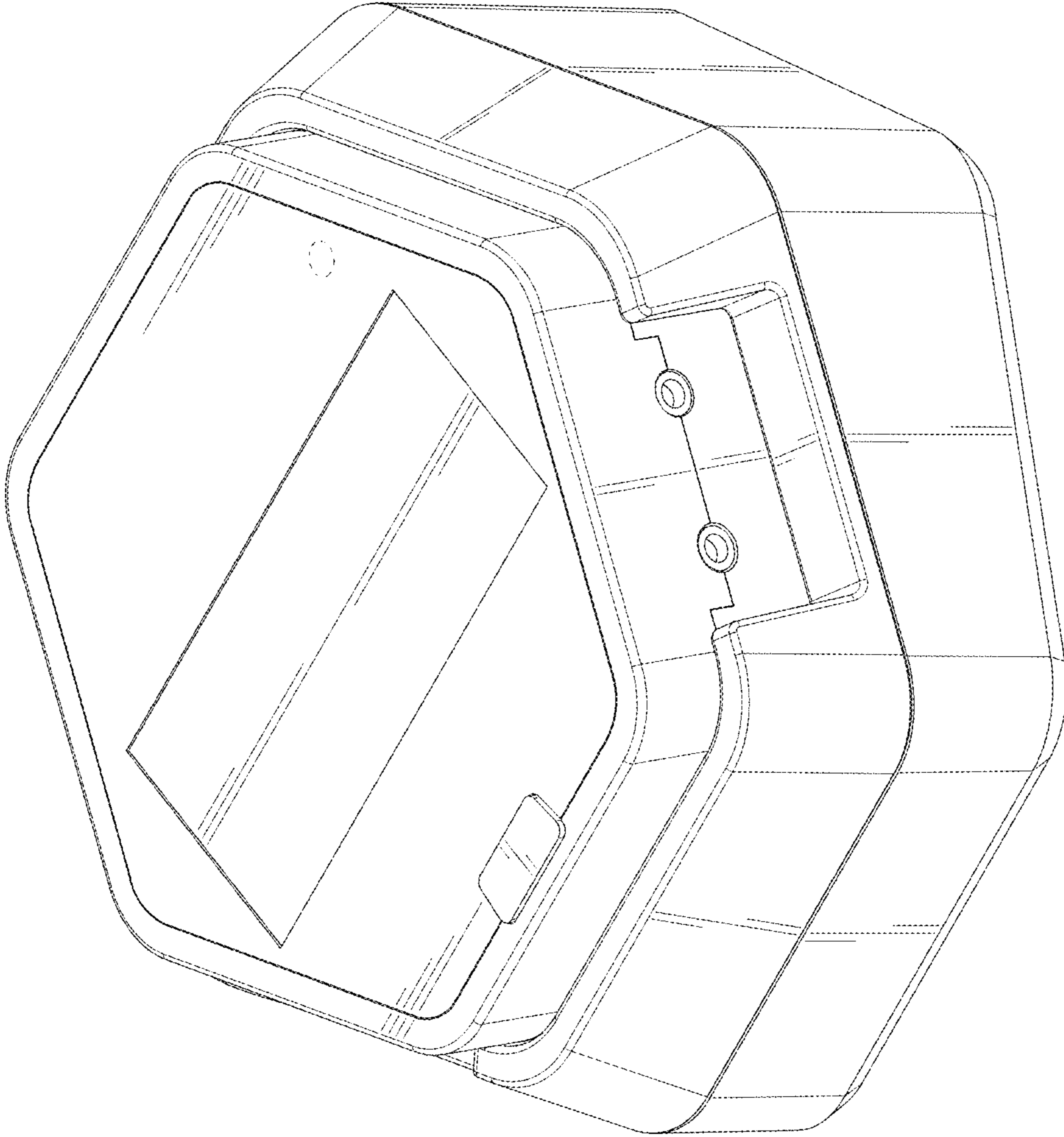


FIG.1

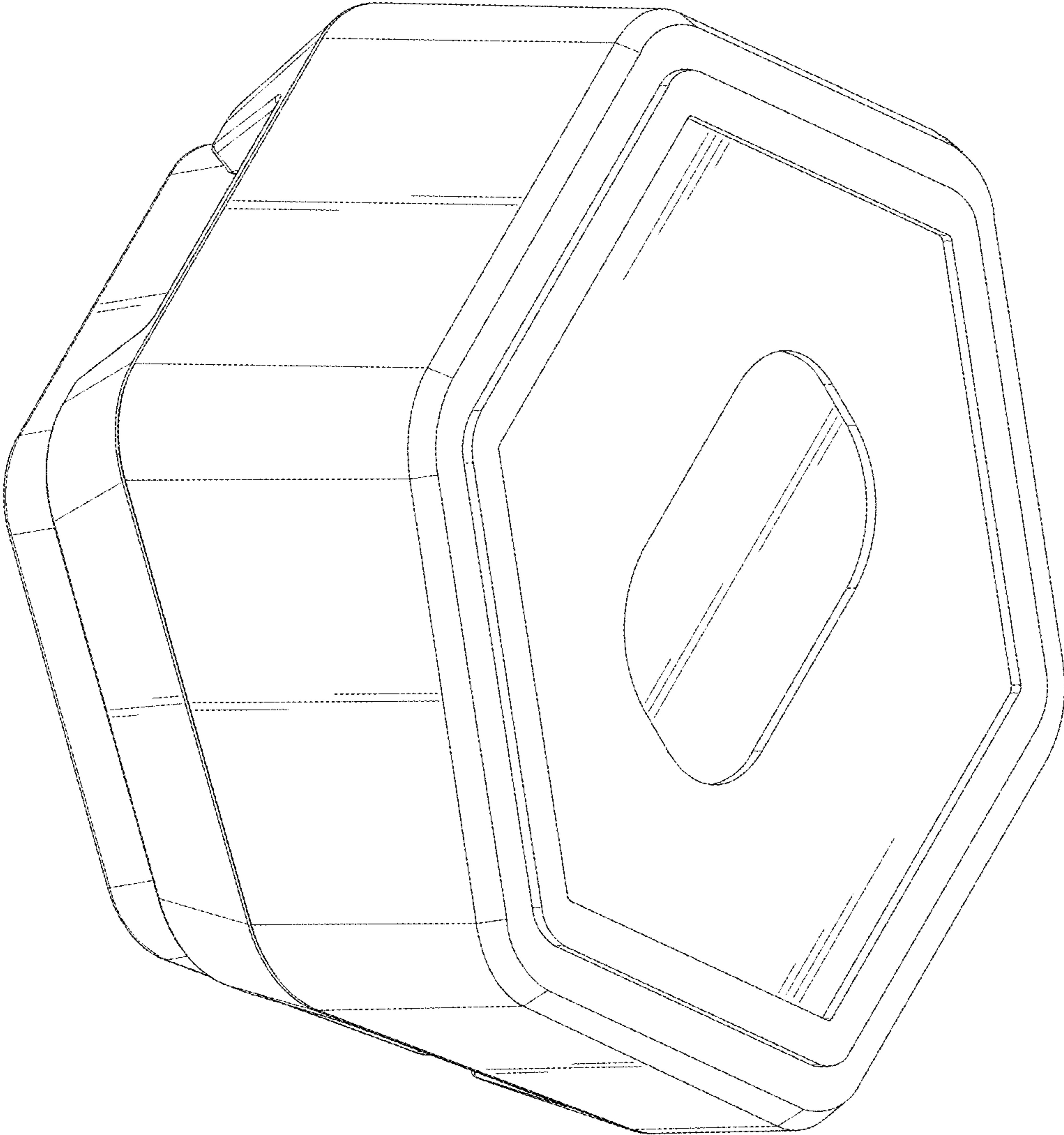


FIG. 2

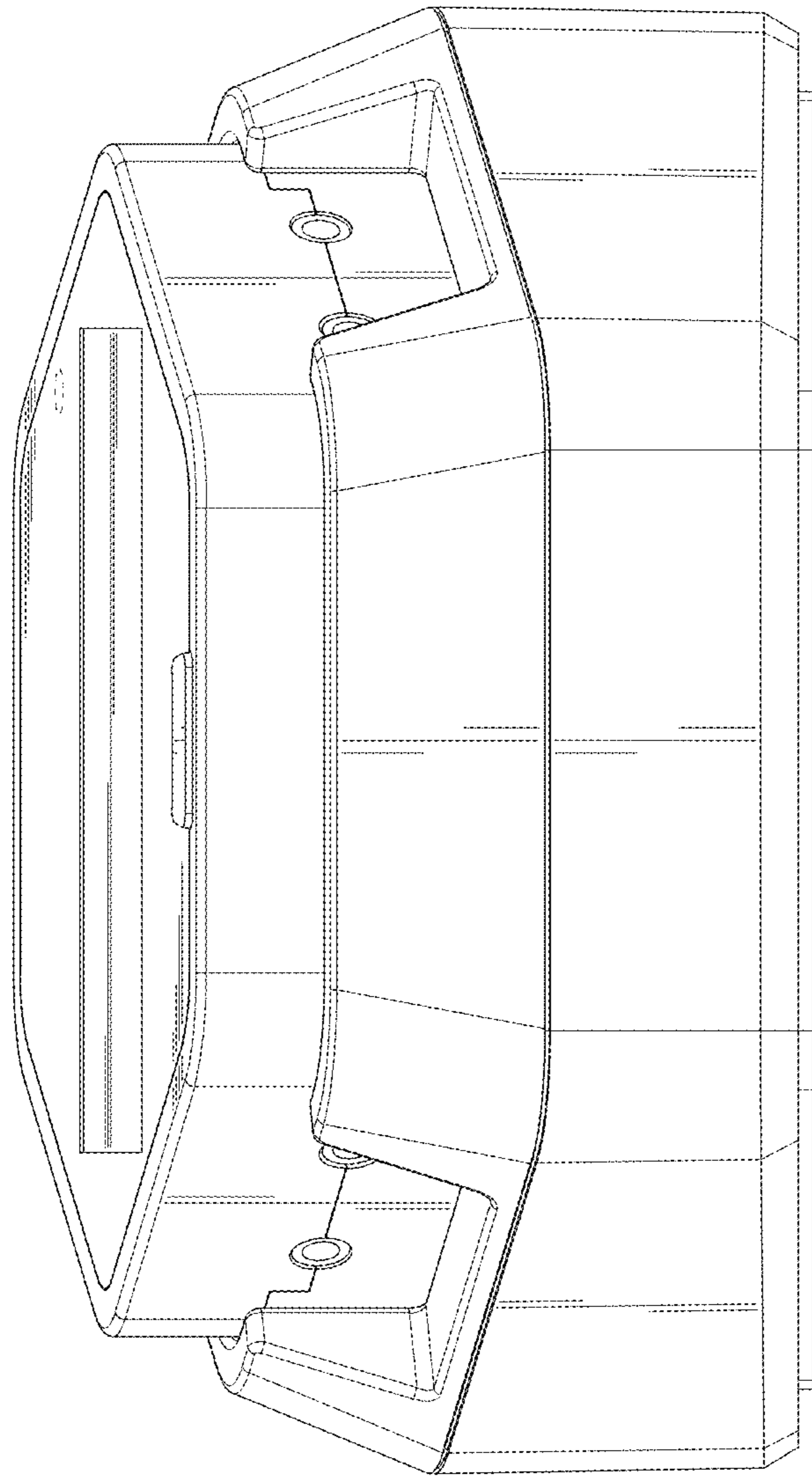


FIG. 3

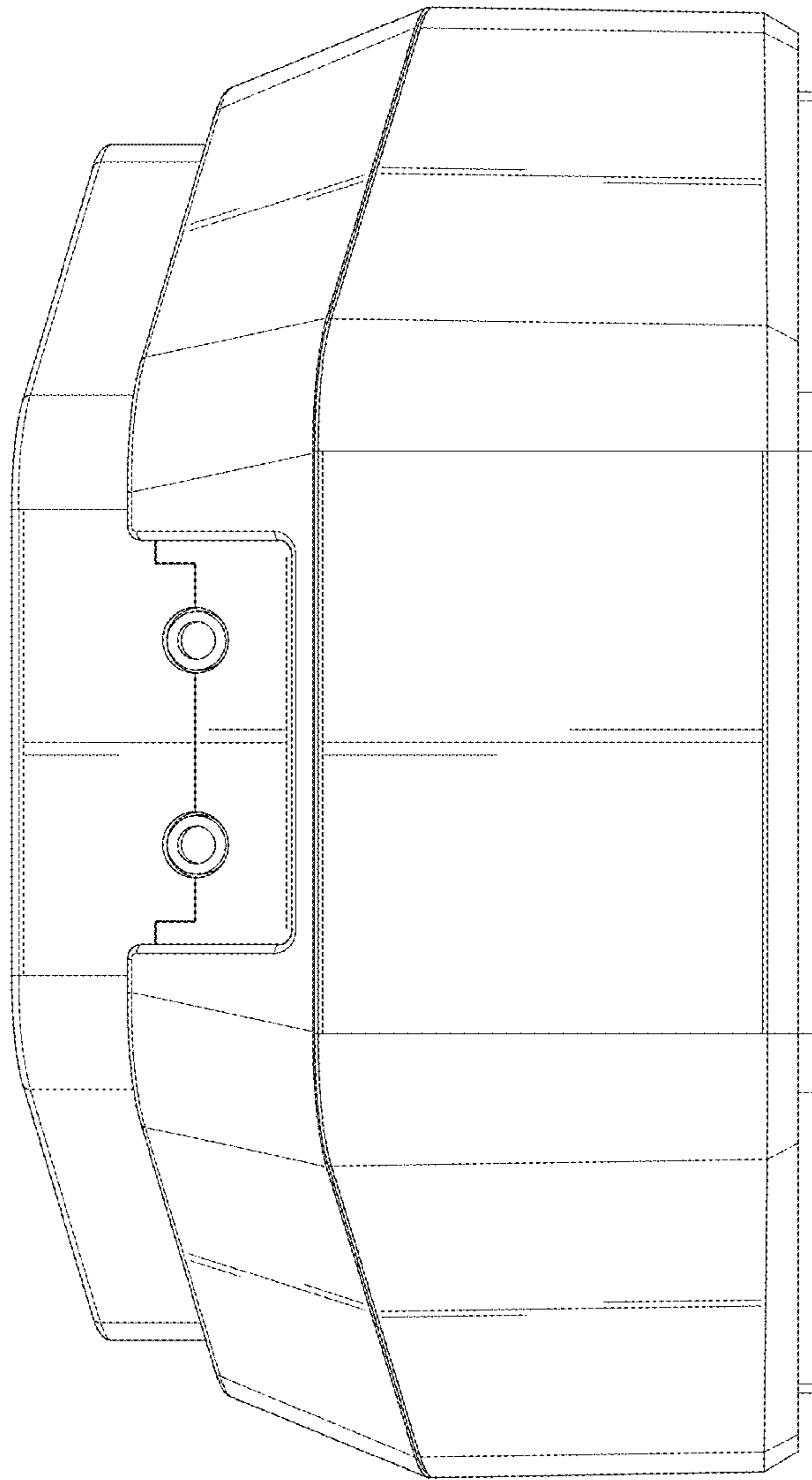


FIG.4

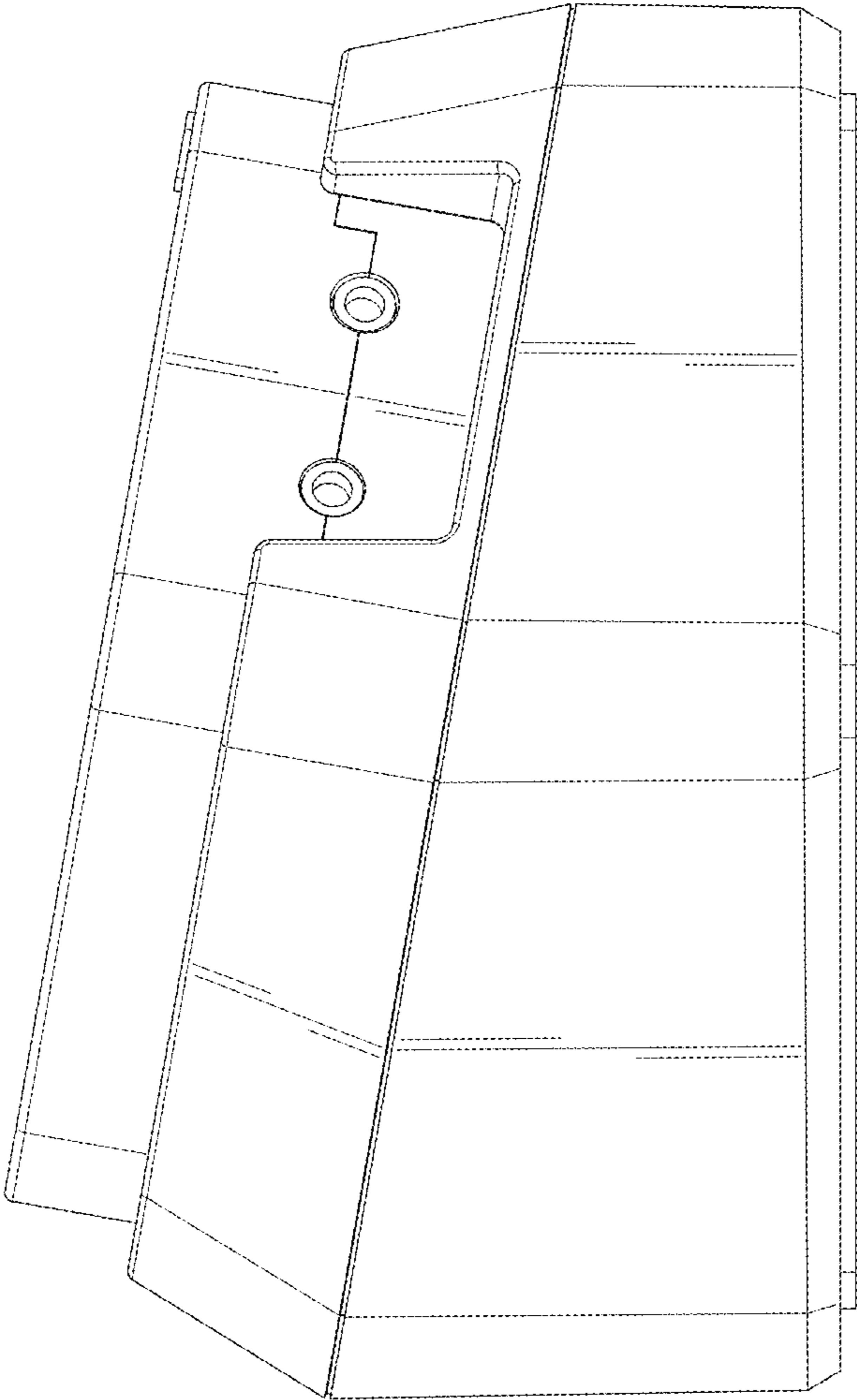


FIG. 5

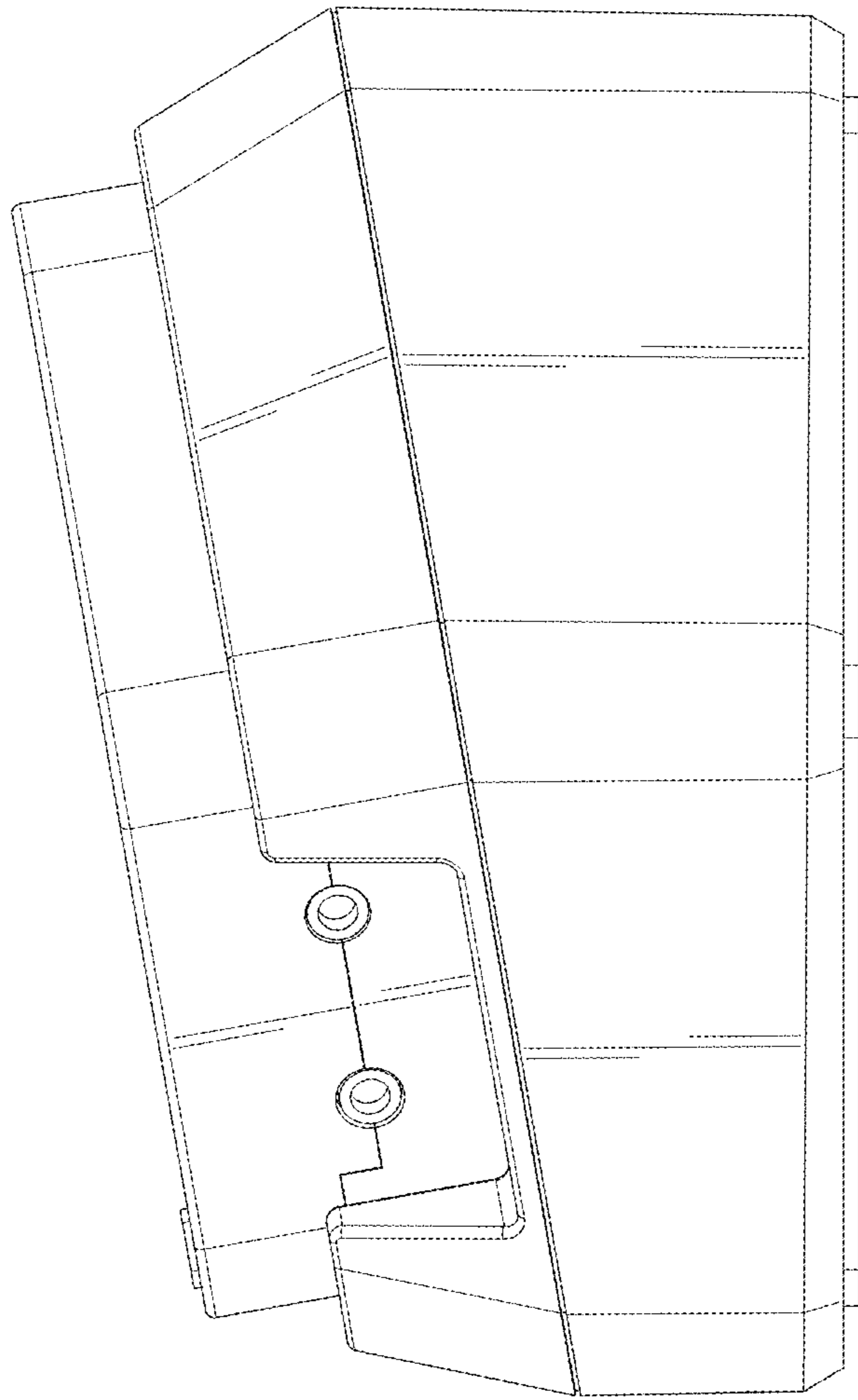


FIG.6

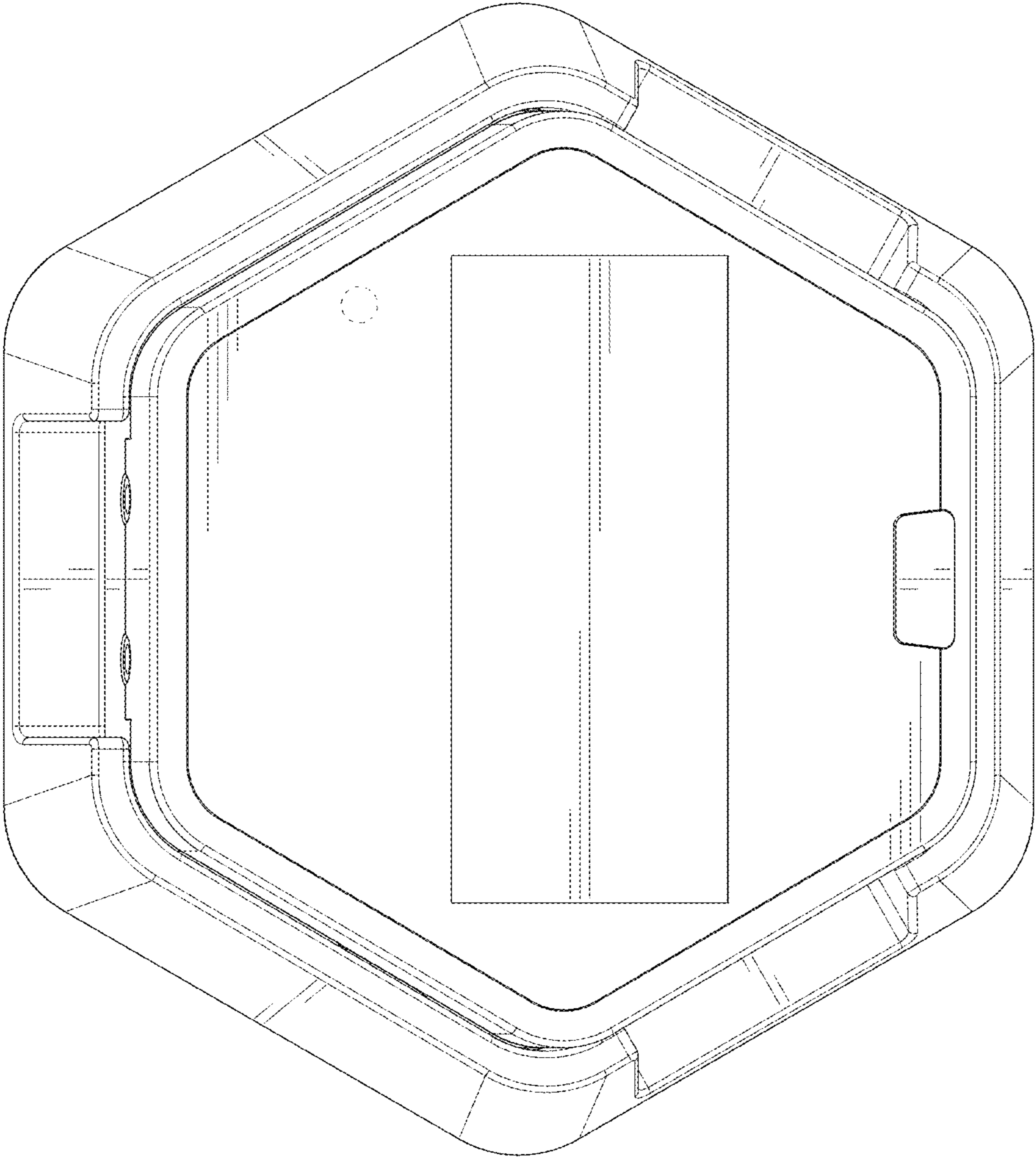


FIG. 7

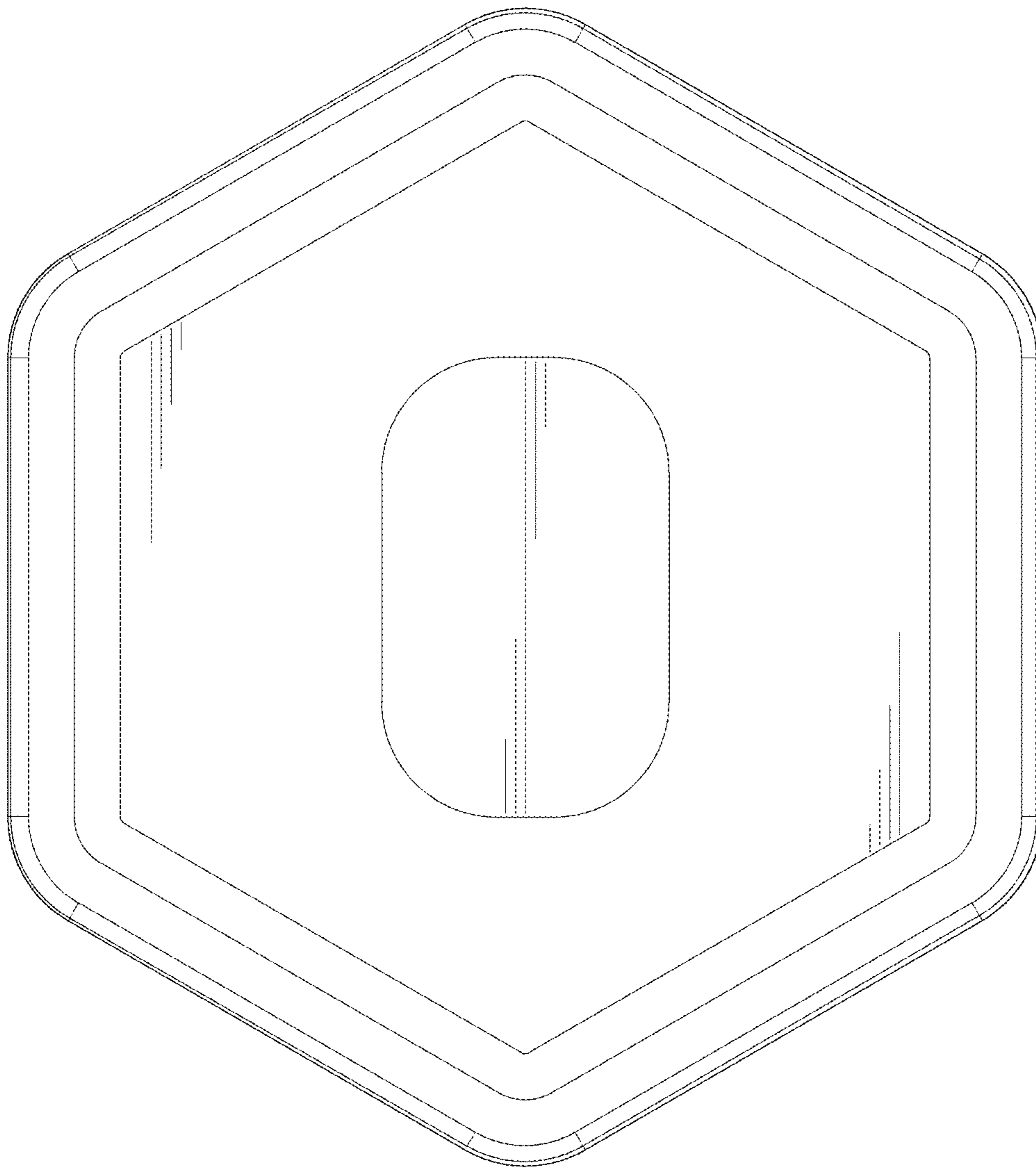


FIG. 8