

US00D964185S

(12) **United States Design Patent** (10) **Patent No.:** **US D964,185 S**
Yu (45) **Date of Patent:** **** Sep. 20, 2022**

(54) **WEATHER STATION**

(71) Applicant: **FUZHOU ESUN ELECTRONIC CO., LTD**, Fuzhou (CN)

(72) Inventor: **Guo Yu**, Fuzhou (CN)

(73) Assignee: **FUZHOU ESUN ELECTRONIC CO., LTD**, Fuzhou (CN)

(**) Term: **15 Years**

(21) Appl. No.: **29/765,821**

(22) Filed: **Jan. 12, 2021**

(30) **Foreign Application Priority Data**

Dec. 16, 2020 (CN) 202030774795.8

(51) **LOC (13) Cl.** **10-05**

(52) **U.S. Cl.**
USPC **D10/53**

(58) **Field of Classification Search**
USPC ... D10/4, 46, 50, 52, 53, 55, 56, 57, 60, 62;
D14/336, 371

CPC G01W 1/00; G01W 1/02; G01W 1/06
See application file for complete search history.

(56) **References Cited**

U.S. PATENT DOCUMENTS

| | | | | |
|--------------|---------|-----------|-------|--------|
| D518,744 S * | 4/2006 | Rosen | | D10/52 |
| D642,081 S * | 7/2011 | Kashimoto | | D10/49 |
| D648,641 S * | 11/2011 | Wallaert | | D10/49 |
| D678,084 S * | 3/2013 | Beland | | D10/50 |
| D733,591 S * | 7/2015 | Golden | | D10/50 |
| D734,179 S * | 7/2015 | Golden | | D10/50 |
| D738,753 S * | 9/2015 | Edgar | | D10/50 |
| D738,756 S * | 9/2015 | Jiang | | D10/50 |
| D801,833 S * | 11/2017 | Jiang | | D10/50 |
| D863,990 S * | 10/2019 | Hu | | D10/53 |
| D864,773 S * | 10/2019 | Zhang | | D10/52 |
| D885,943 S * | 6/2020 | Yu | | D10/57 |

| | | | | |
|-------------------|---------|--------|-------|----------------------|
| D888,579 S * | 6/2020 | Huang | | D10/53 |
| D901,314 S * | 11/2020 | Atwood | | D10/50 |
| D917,312 S * | 4/2021 | Li | | D10/50 |
| D933,504 S * | 10/2021 | Wu | | D10/52 |
| D942,873 S * | 2/2022 | Yu | | D10/57 |
| 2003/0198277 A1 * | 10/2003 | Liao | | G01W 1/02 374/100 |

OTHER PUBLICATIONS

ThermoPro TP55, available in Amazon.com, customer review oldest date Dec. 2, 2017 [online], site visited May 9, 2022, Available from the internet URL: <<https://www.amazon.com/ThermoPro-TP55-Indoor-Thermometer-Touchscreen/dp/B06XTPTG1J/>>. (Year: 2017).*

(Continued)

Primary Examiner — George D. Kirschbaum

Assistant Examiner — Lillian Windham

(74) *Attorney, Agent, or Firm* — Westbridge IP LLC

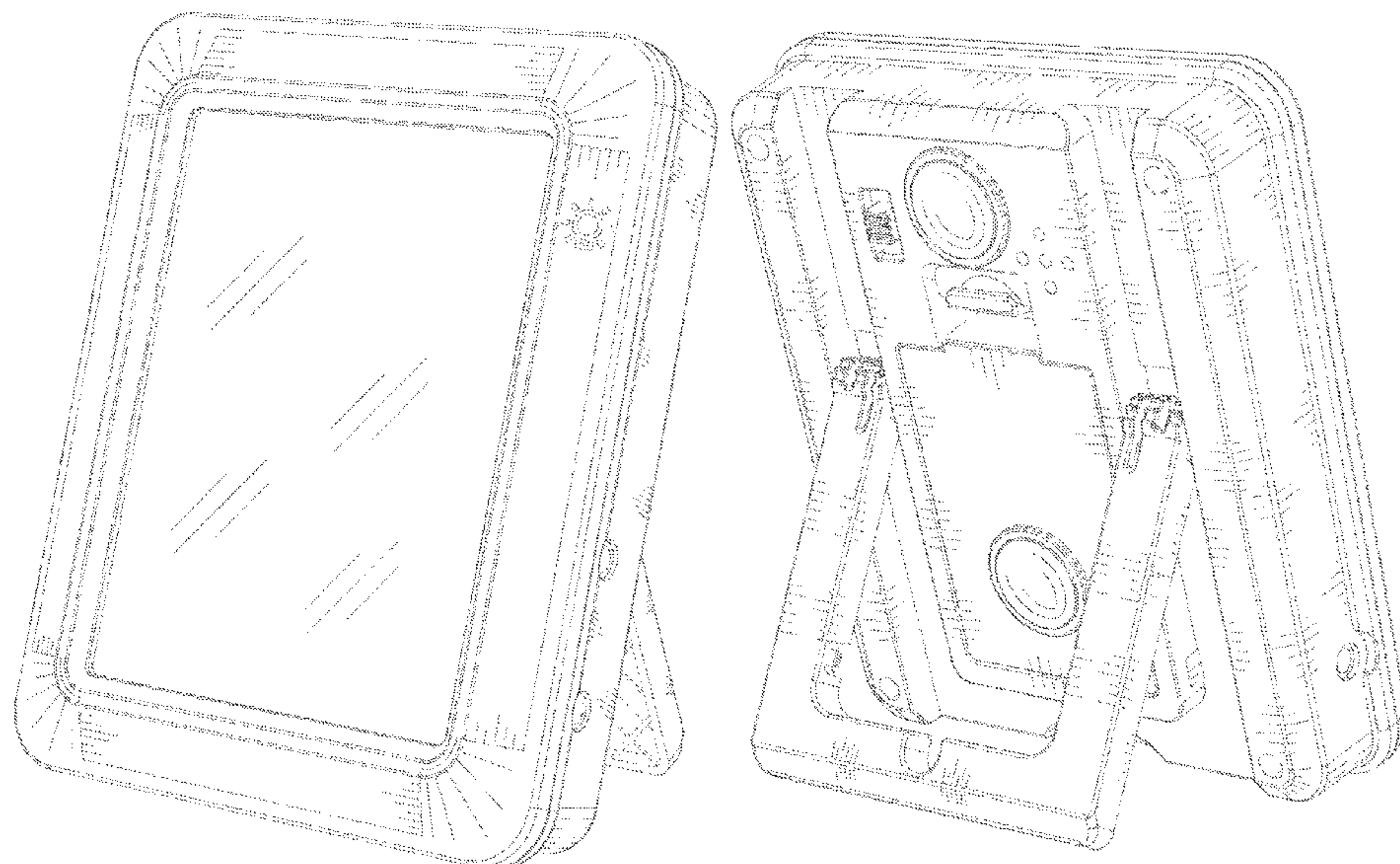
(57) **CLAIM**

The ornamental design for a weather station, as shown and described.

DESCRIPTION

FIG. 1 is a front elevational view of a weather station showing my new design;
FIG. 2 is a rear elevational view thereof;
FIG. 3 is a left side elevational view thereof;
FIG. 4 is a right side elevational view thereof;
FIG. 5 is a top plan view thereof;
FIG. 6 is a bottom plan view thereof;
FIG. 7 is a front perspective view shown in a state of use; and,
FIG. 8 is a rear perspective view shown in a state of use.
The broken line showing in FIG. 7 is included for the purpose of illustrating portions of the weather station and forms no part of the claimed design.

1 Claim, 8 Drawing Sheets



(56)

References Cited

OTHER PUBLICATIONS

Hygrometer Thermometer, available in Amazon.com, date first available Oct. 26, 2017 [online], site visited May 9, 2022, Available from the internet URL: <<https://www.amazon.com/Hygrometer-Thermometer-Humidity-Temperature-Greenhouse/dp/B076VCQ1Z8>>. (Year: 2017).*

* cited by examiner

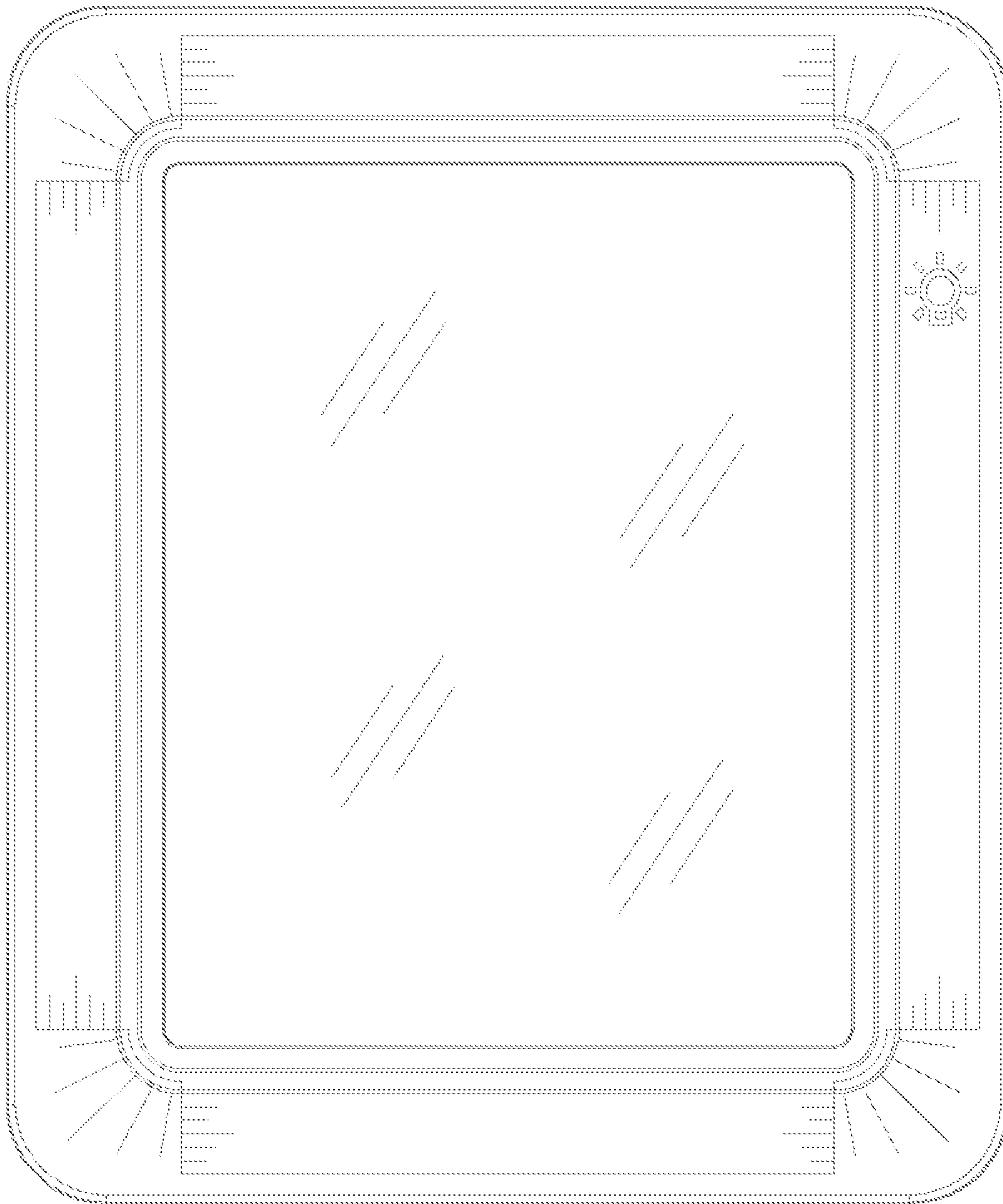


FIG. 1

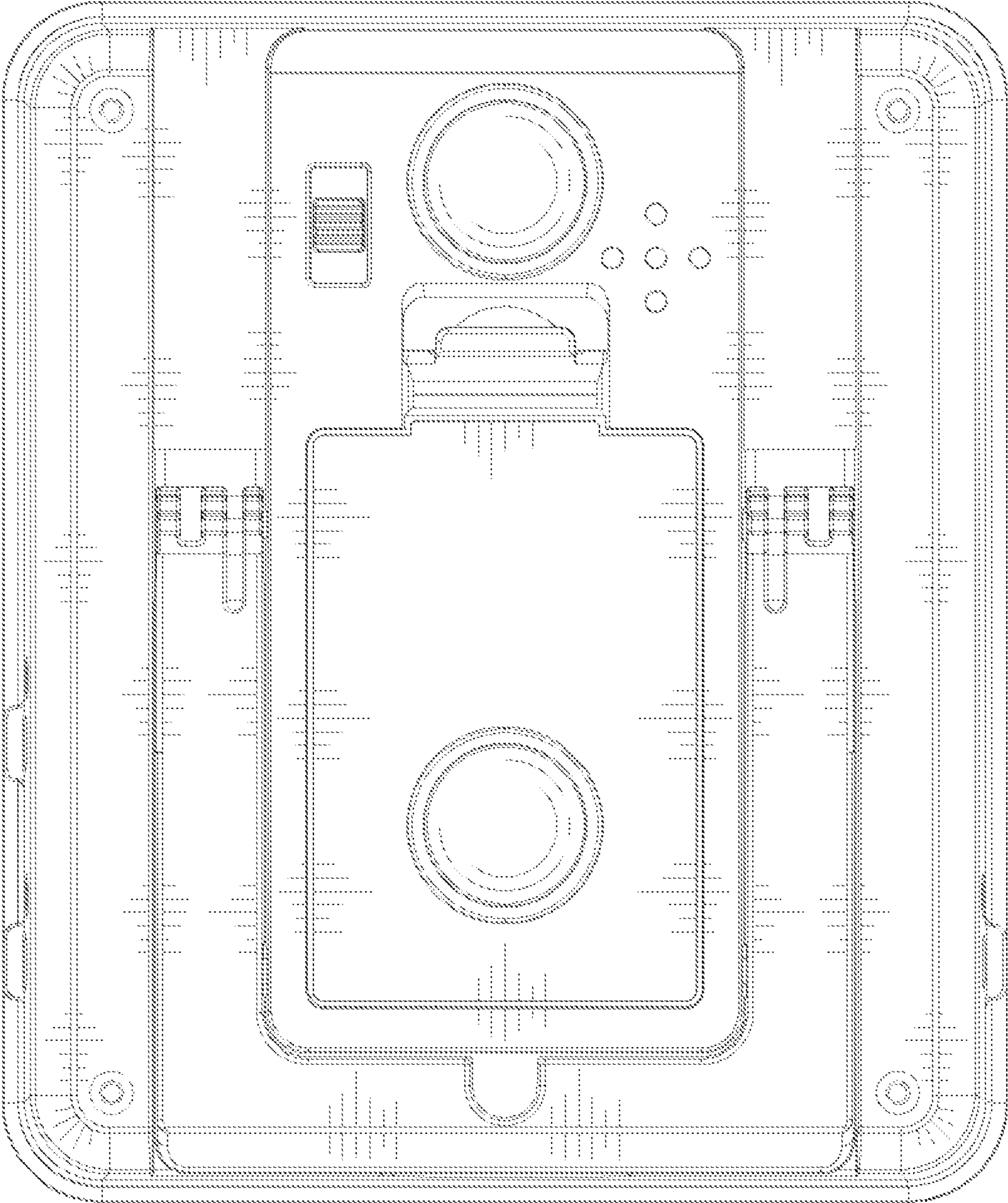


FIG. 2

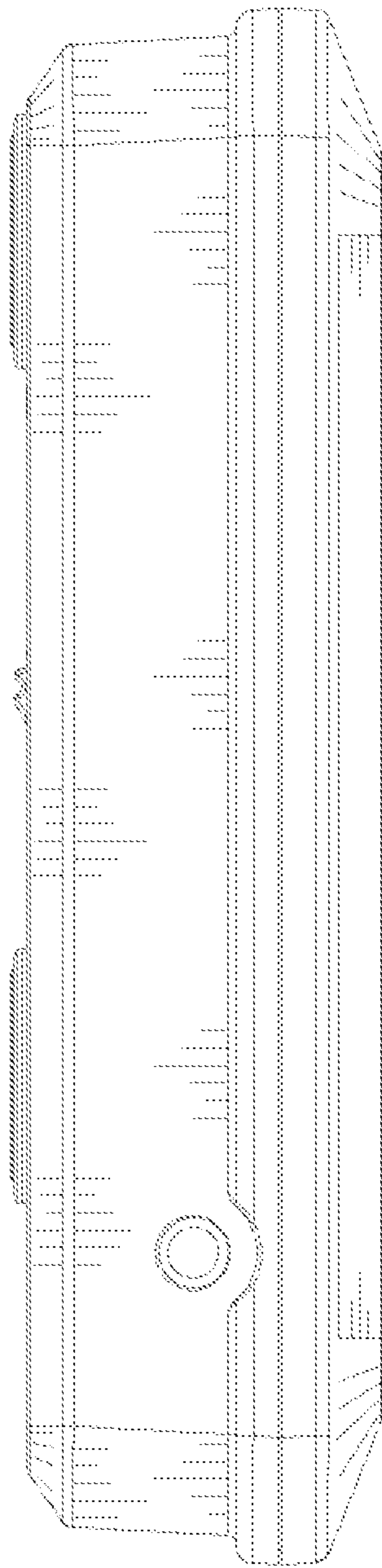


FIG. 3

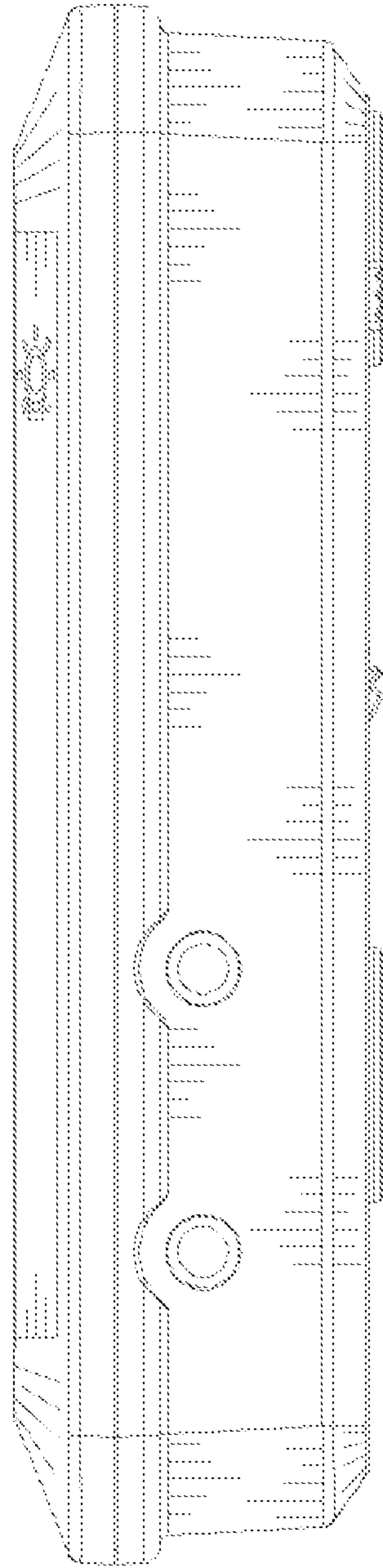


FIG. 4

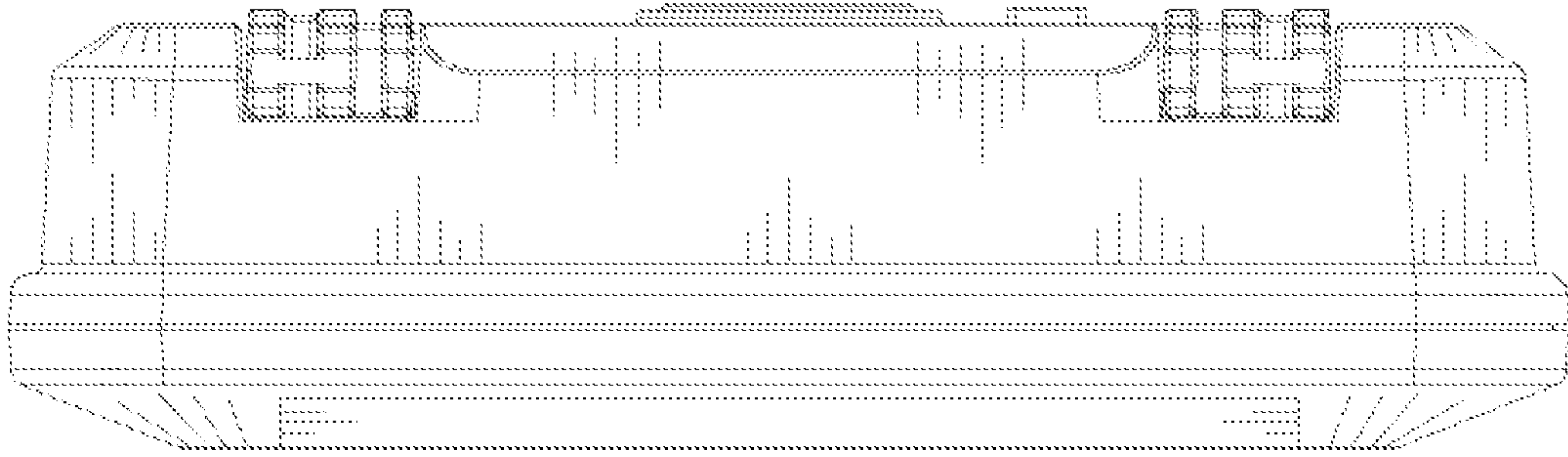


FIG. 5

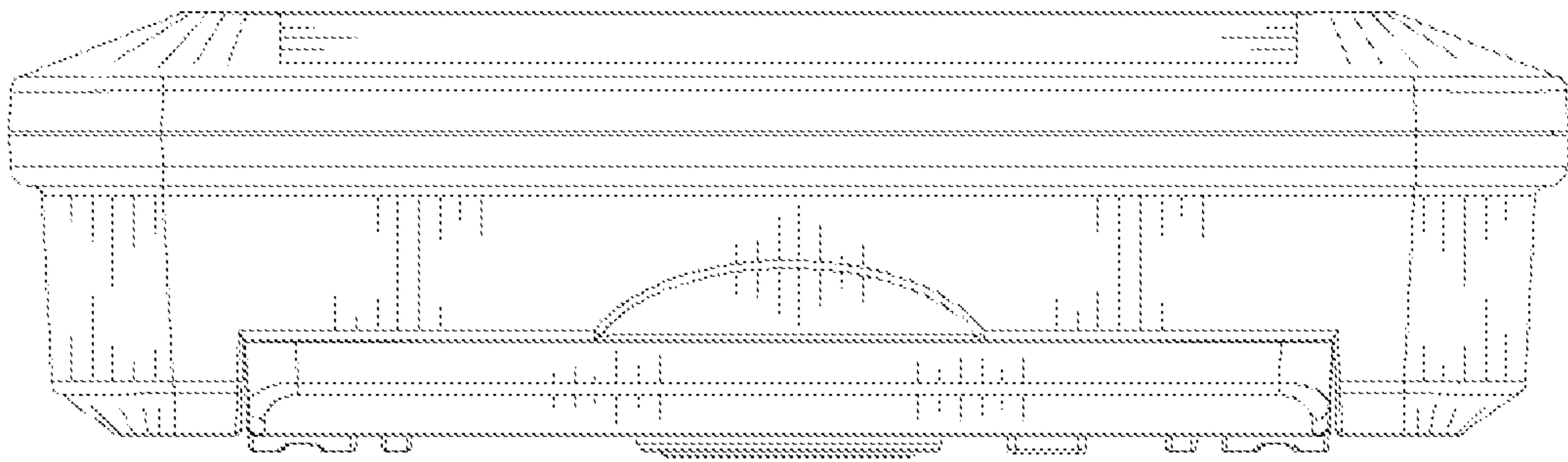


FIG.6

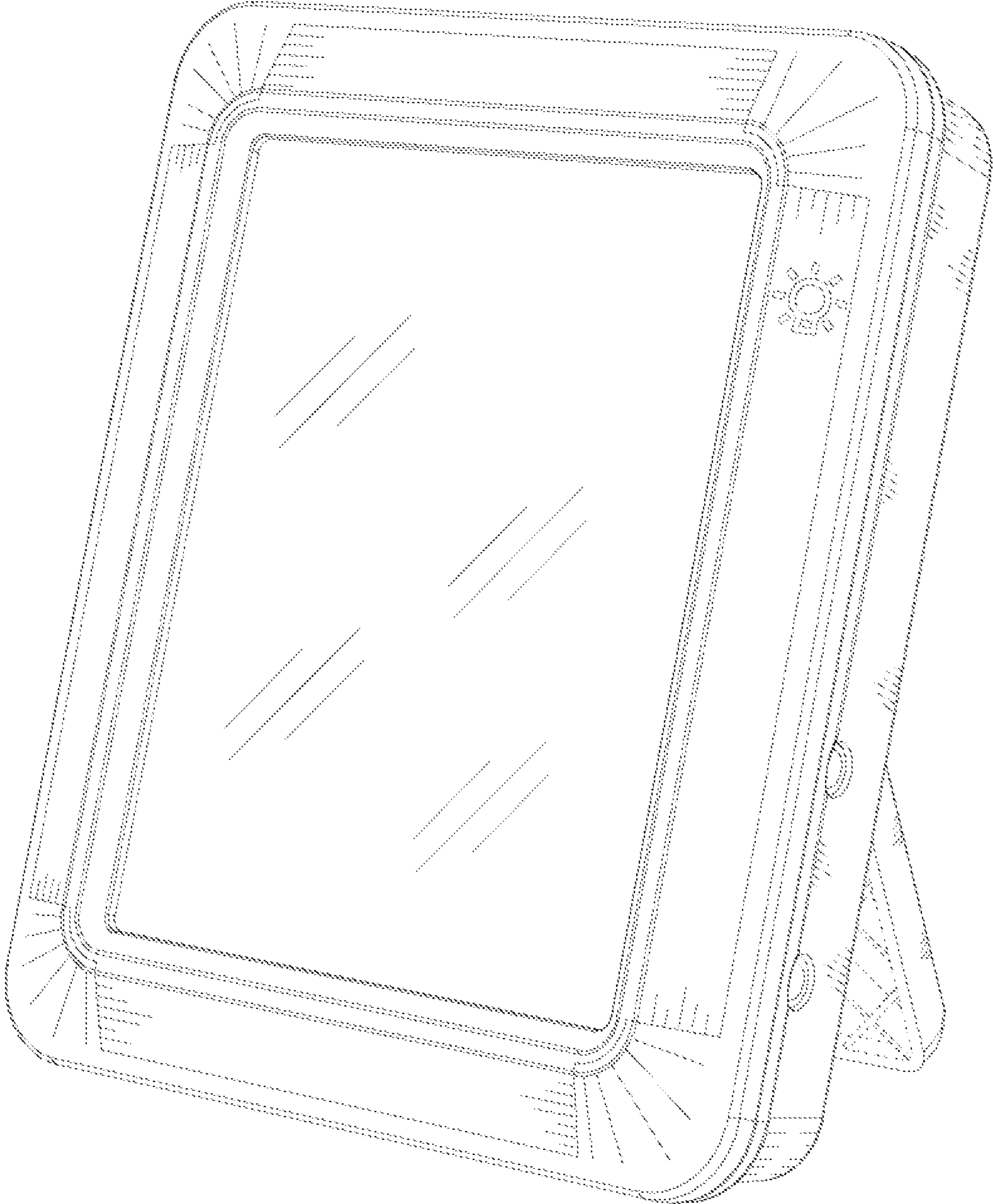


FIG. 7

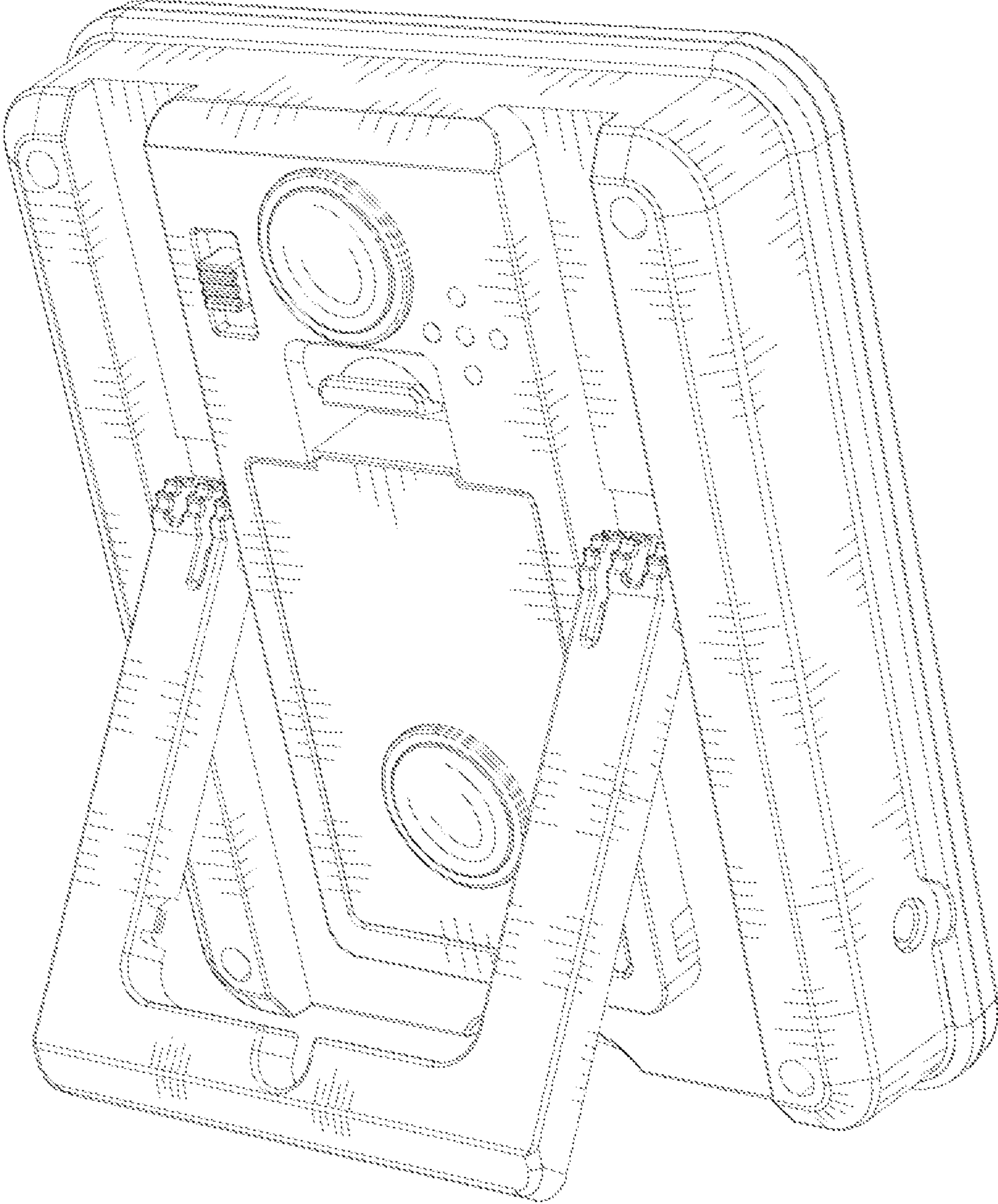


FIG. 8