

US00D964184S

(12) **United States Design Patent**  
**Lu**

(10) **Patent No.:** **US D964,184 S**  
(45) **Date of Patent:** **\*\* Sep. 20, 2022**

(54) **AIR SENSOR**

(71) Applicant: **AMBIT MICROSYSTEMS (SHANGHAI) LTD.**, Shanghai (CN)

(72) Inventor: **Yi-Wen Lu**, New Taipei (TW)

(73) Assignee: **AMBIT MICROSYSTEMS (SHANGHAI) LTD.**, Shanghai (CN)

(\*\*) Term: **15 Years**

(21) Appl. No.: **29/740,290**

(22) Filed: **Jul. 2, 2020**

(30) **Foreign Application Priority Data**

Jan. 20, 2020 (CN) ..... 202030039917.9

(51) **LOC (13) Cl.** ..... **10-04**

(52) **U.S. Cl.**  
USPC ..... **D10/52**

(58) **Field of Classification Search**  
USPC ..... D10/52, 53, 54, 55, 56  
CPC ..... G01N 1/22; G01N 1/2273; G01N 2001/2276; G01N 2001/2285; G01N 25/56; G01N 29/22; G01N 33/0009; G01N 2035/00306; G01N 2201/022; G01N 2201/0221; G01N 2201/0222; G01N 2201/0224; G01N 2201/0225; G01N 2201/0227; G01N 2201/0228; G01N 2201/024

See application file for complete search history.

(56) **References Cited**

U.S. PATENT DOCUMENTS

D711,257 S *	8/2014	Sargent	.....	D10/52
D734,679 S *	7/2015	Liu	.....	D10/53
D805,925 S *	12/2017	Wimberly	.....	D10/53
D875,571 S *	2/2020	Hernandez	.....	D10/52
D885,209 S *	5/2020	Hernandez	.....	D10/53
D893,319 S *	8/2020	Hernandez	.....	D10/53
D900,650 S *	11/2020	Hernandez	.....	D10/53
D947,042 S *	3/2022	Park	.....	D10/52

\* cited by examiner

*Primary Examiner* — Antoine Duval Davis

(74) *Attorney, Agent, or Firm* — ScienBiziP, P.C.

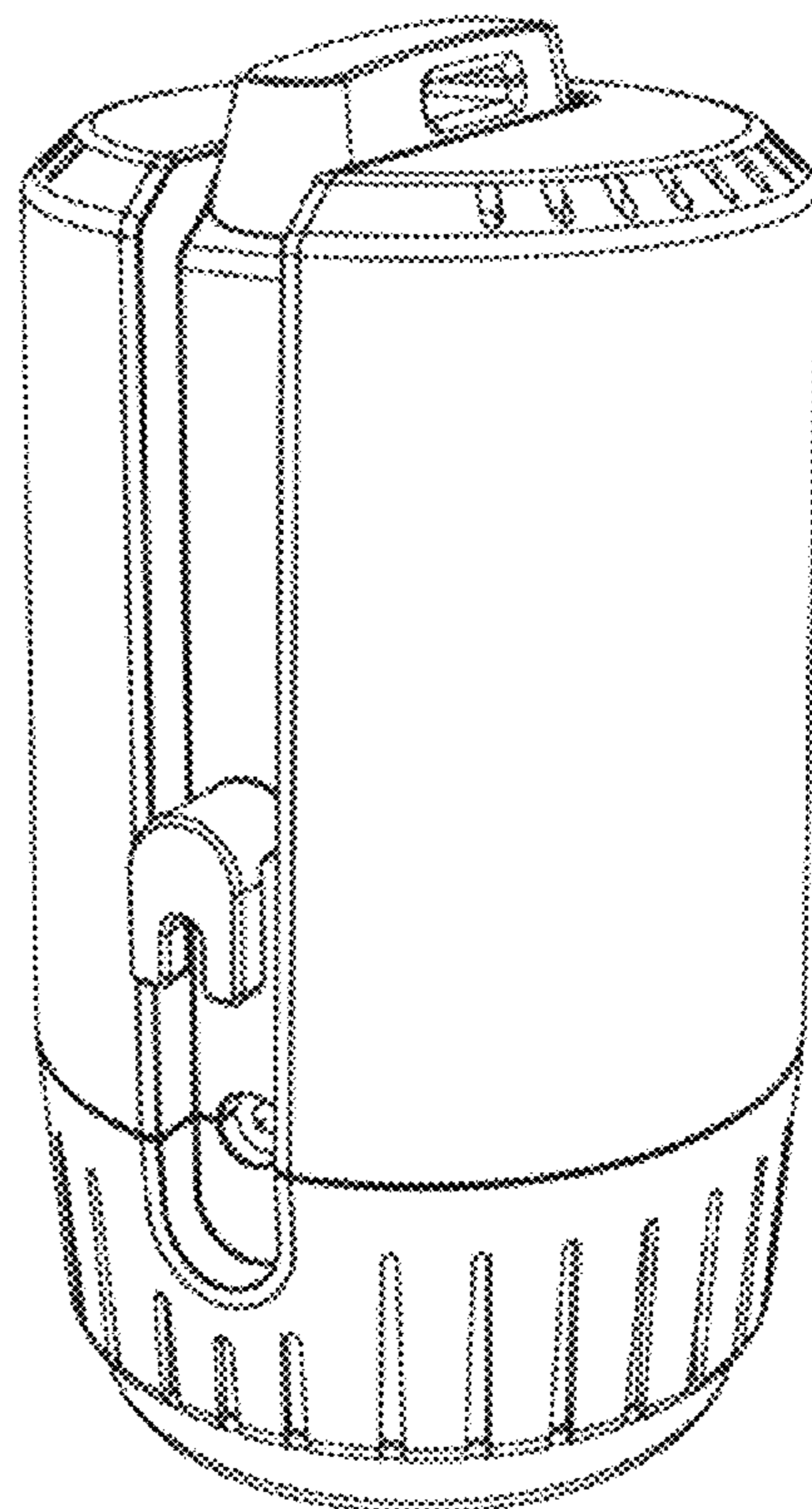
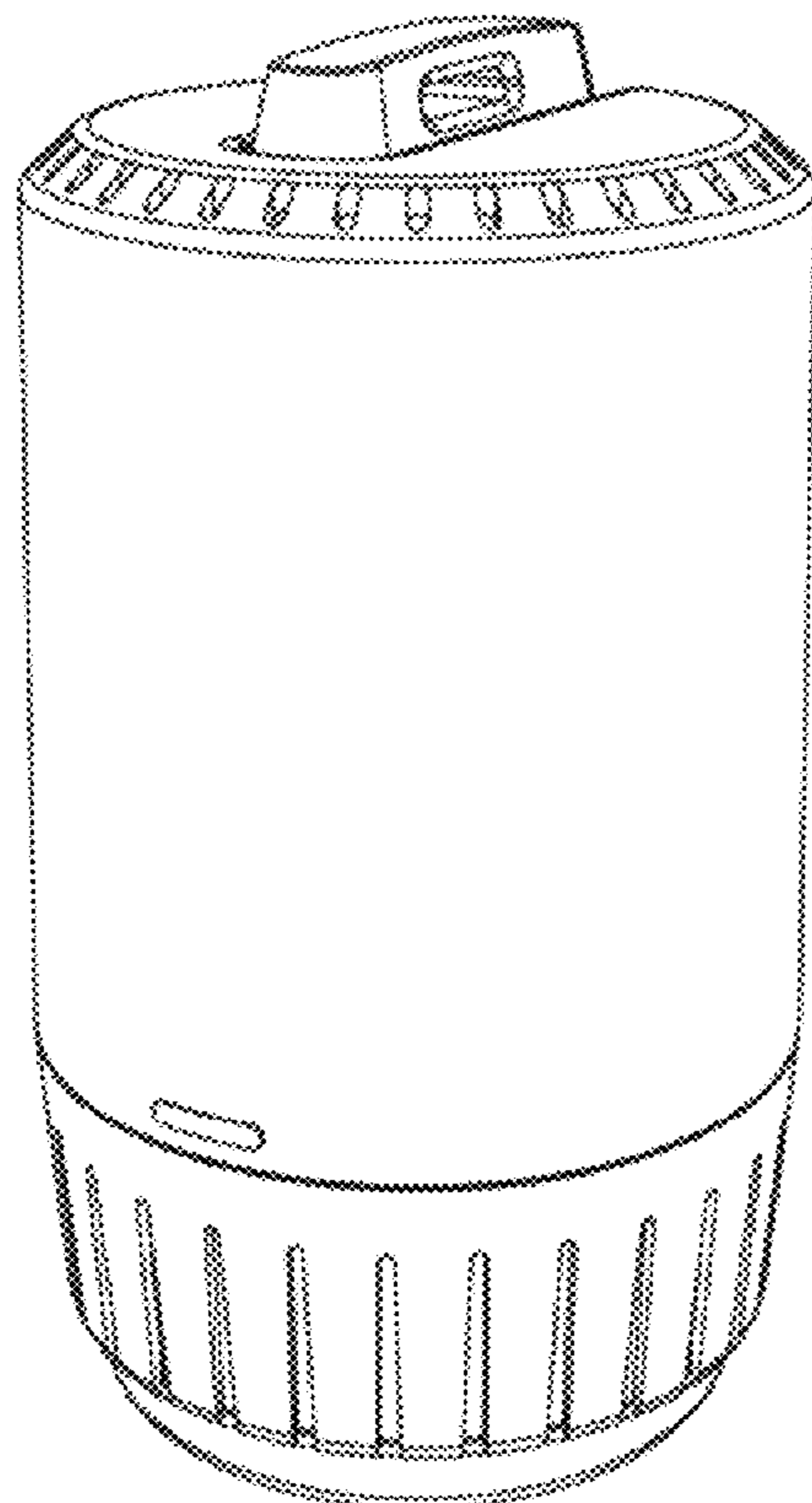
(57) **CLAIM**

The ornamental design for an air sensor, as shown and described.

**DESCRIPTION**

FIG. 1 is a perspective 1 view of an air sensor; FIG. 2 is a perspective 2 view of an air sensor; FIG. 3 is a front elevational view thereof; FIG. 4 is a rear elevational view thereof; FIG. 5 is a left side elevational view thereof; FIG. 6 is a right side elevational view thereof; FIG. 7 is a top plan view thereof; and, FIG. 8 is a bottom plan view thereof.

**1 Claim, 8 Drawing Sheets**



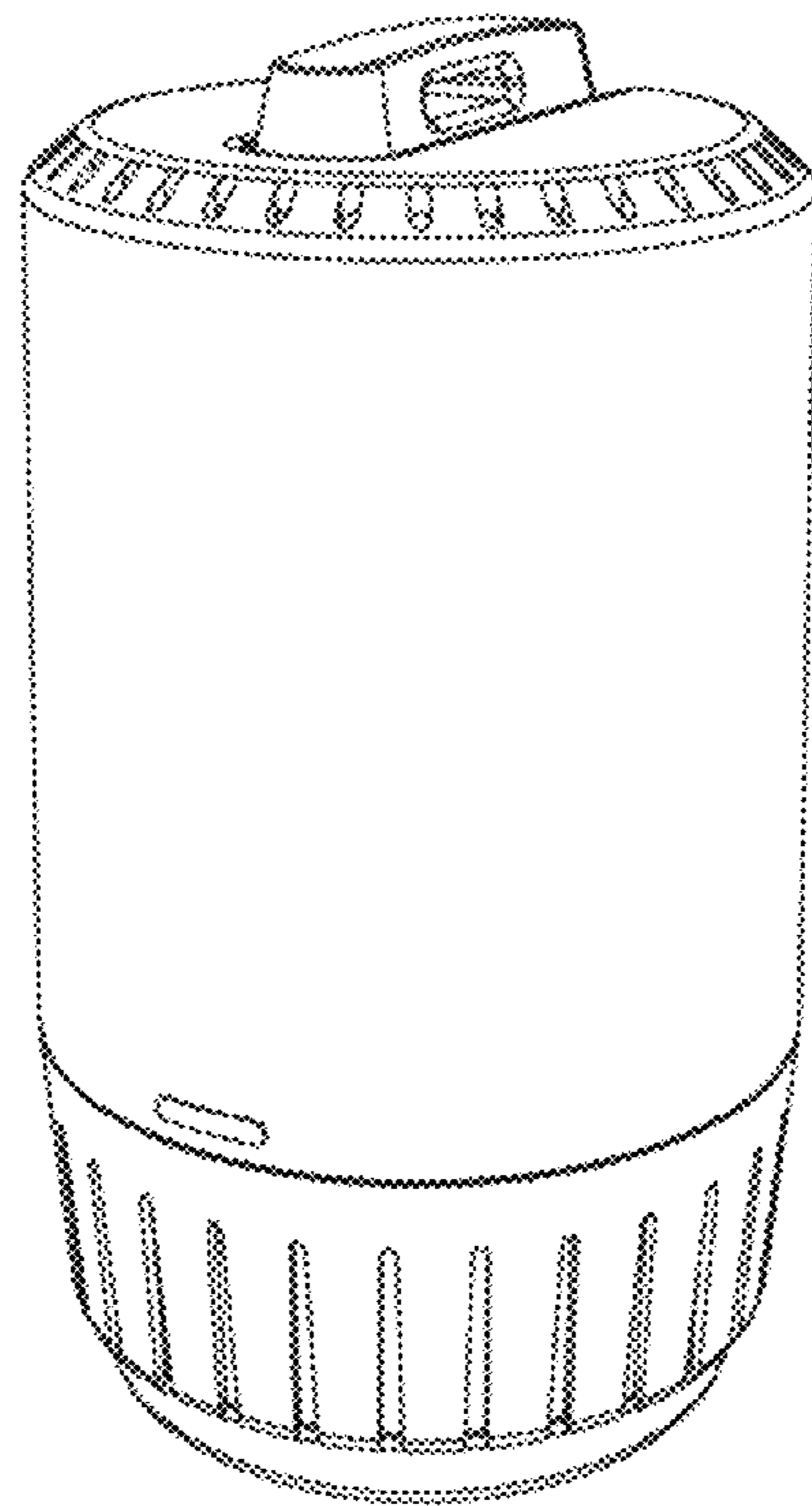


FIG. 1

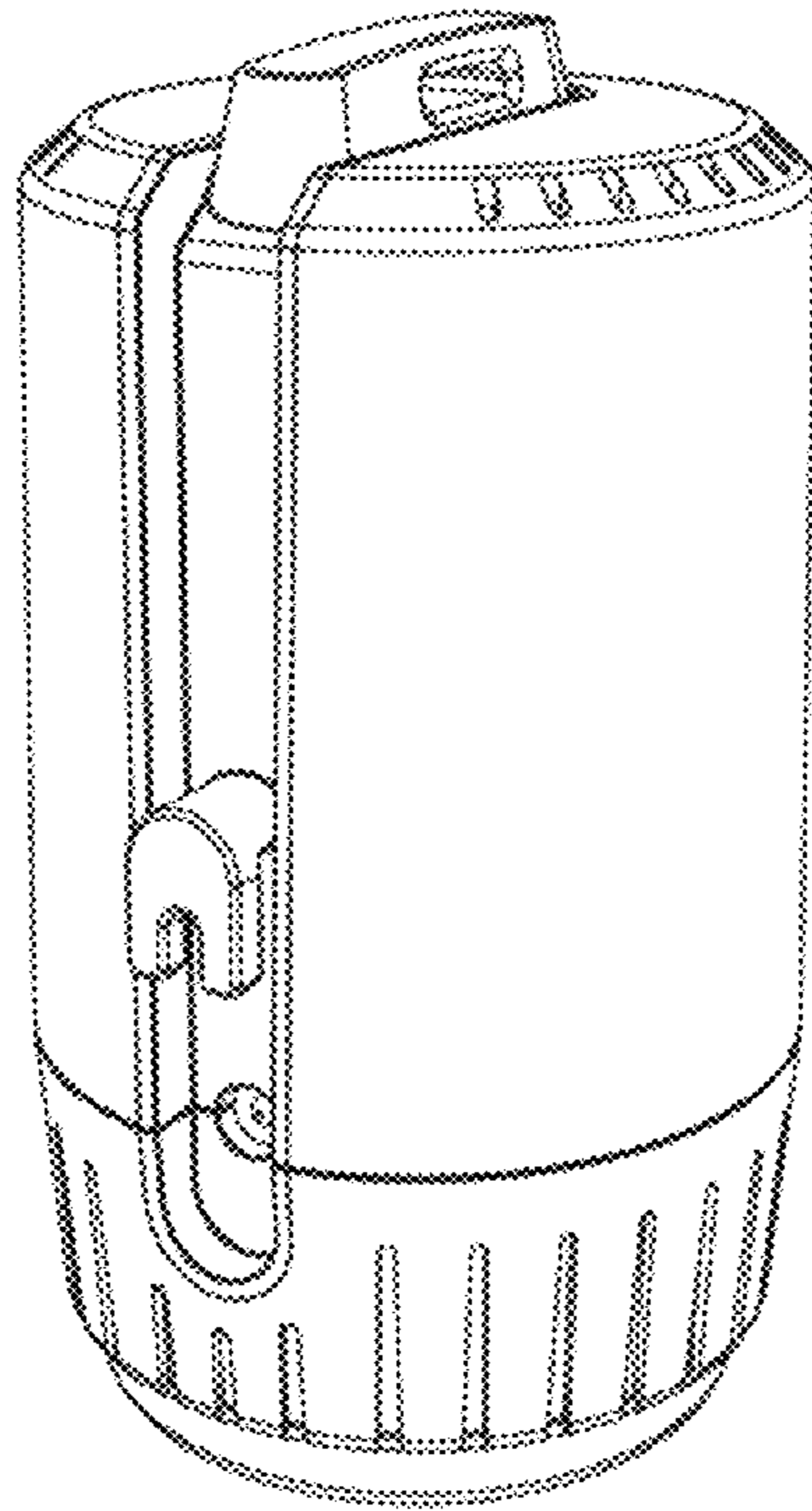


FIG. 2

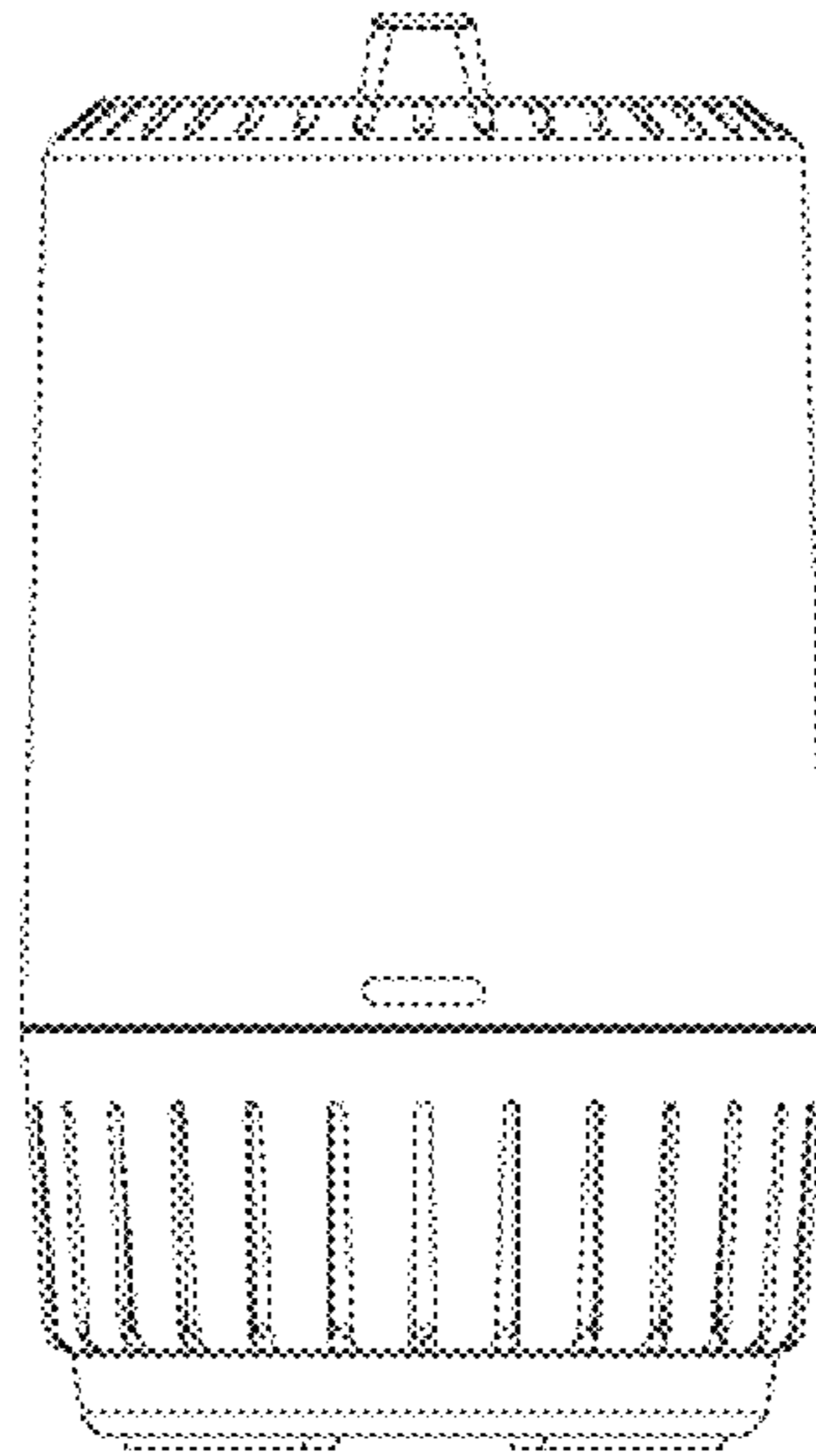


FIG. 3

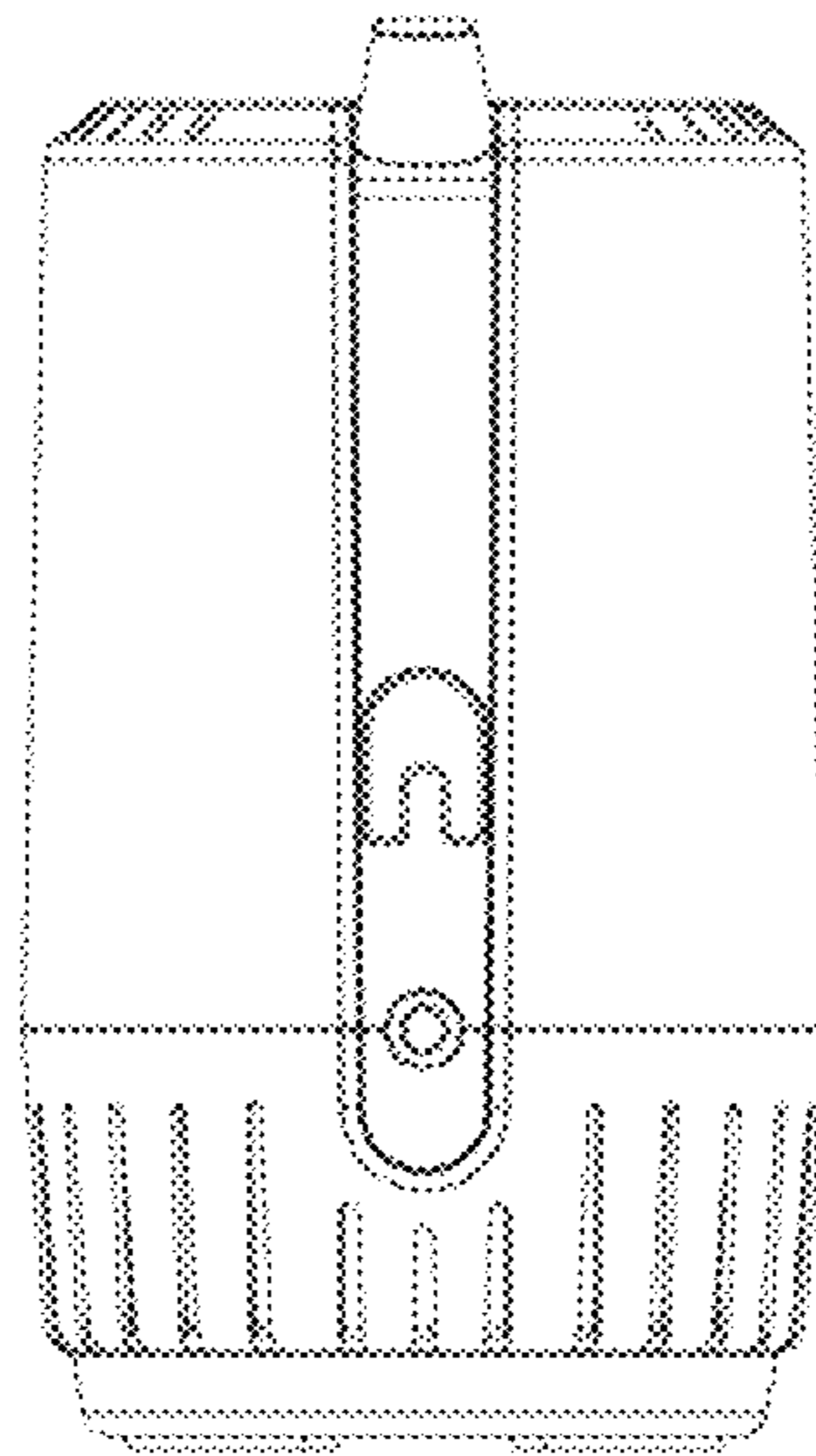


FIG. 4

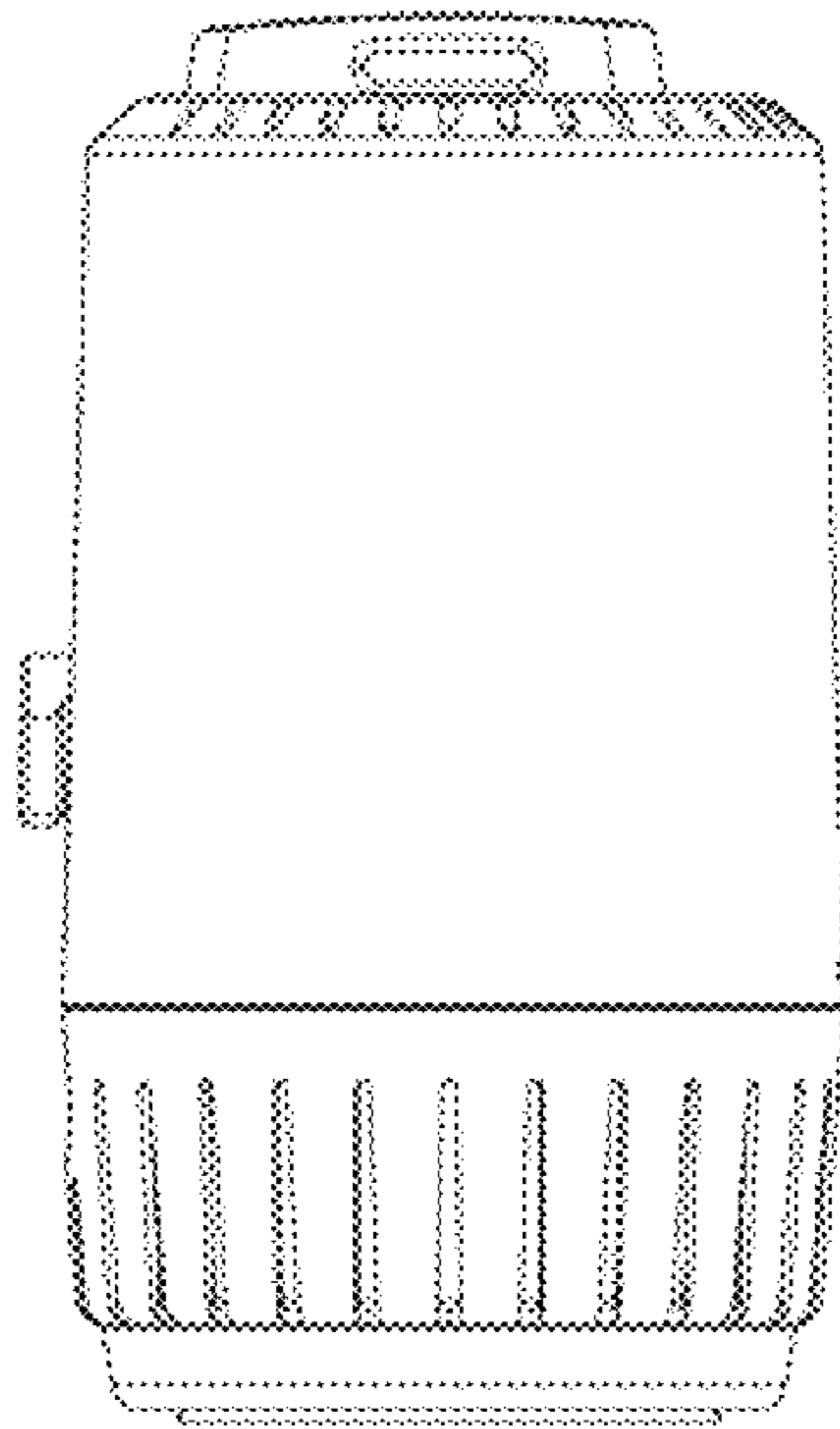


FIG. 5

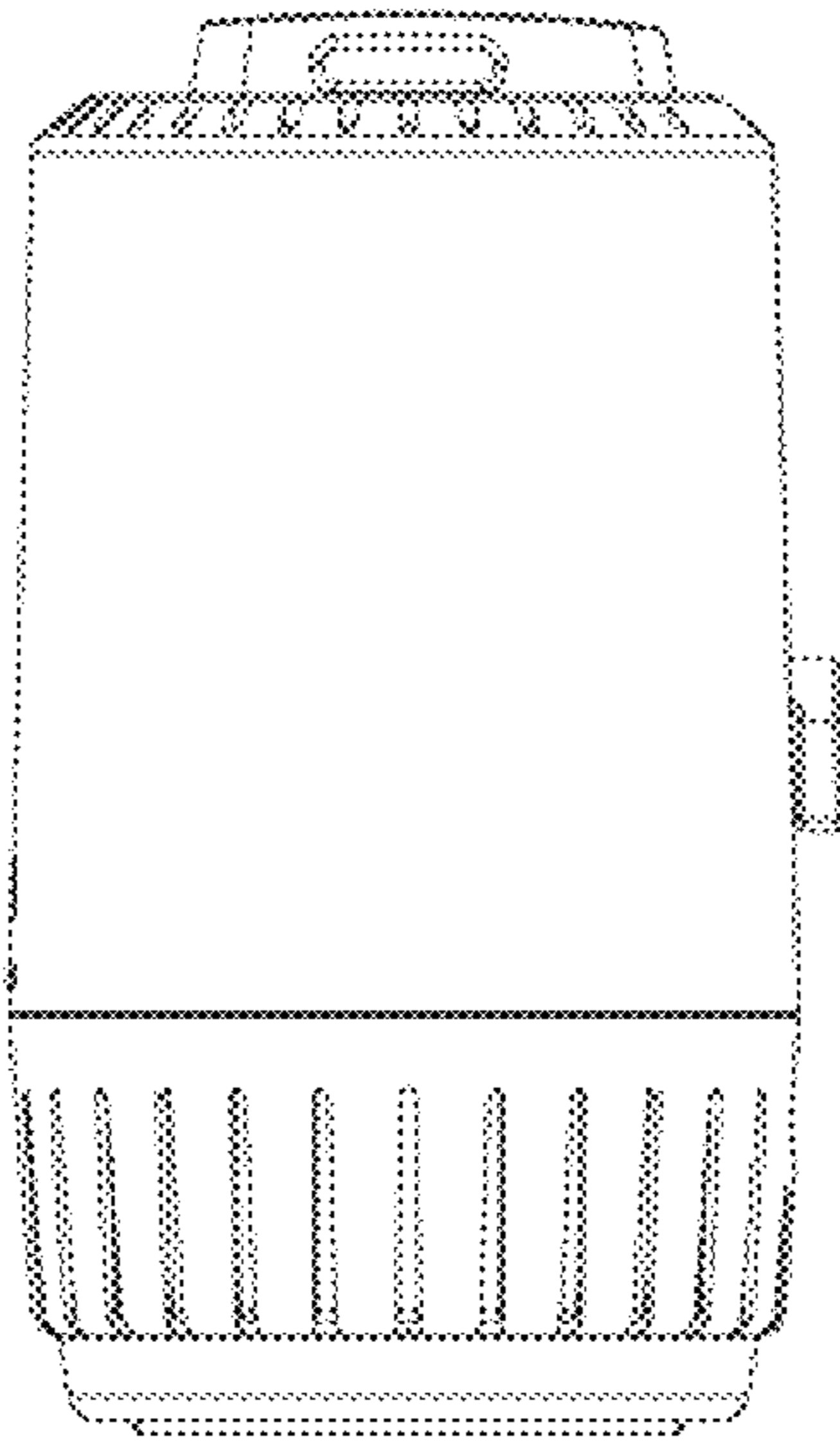


FIG. 6

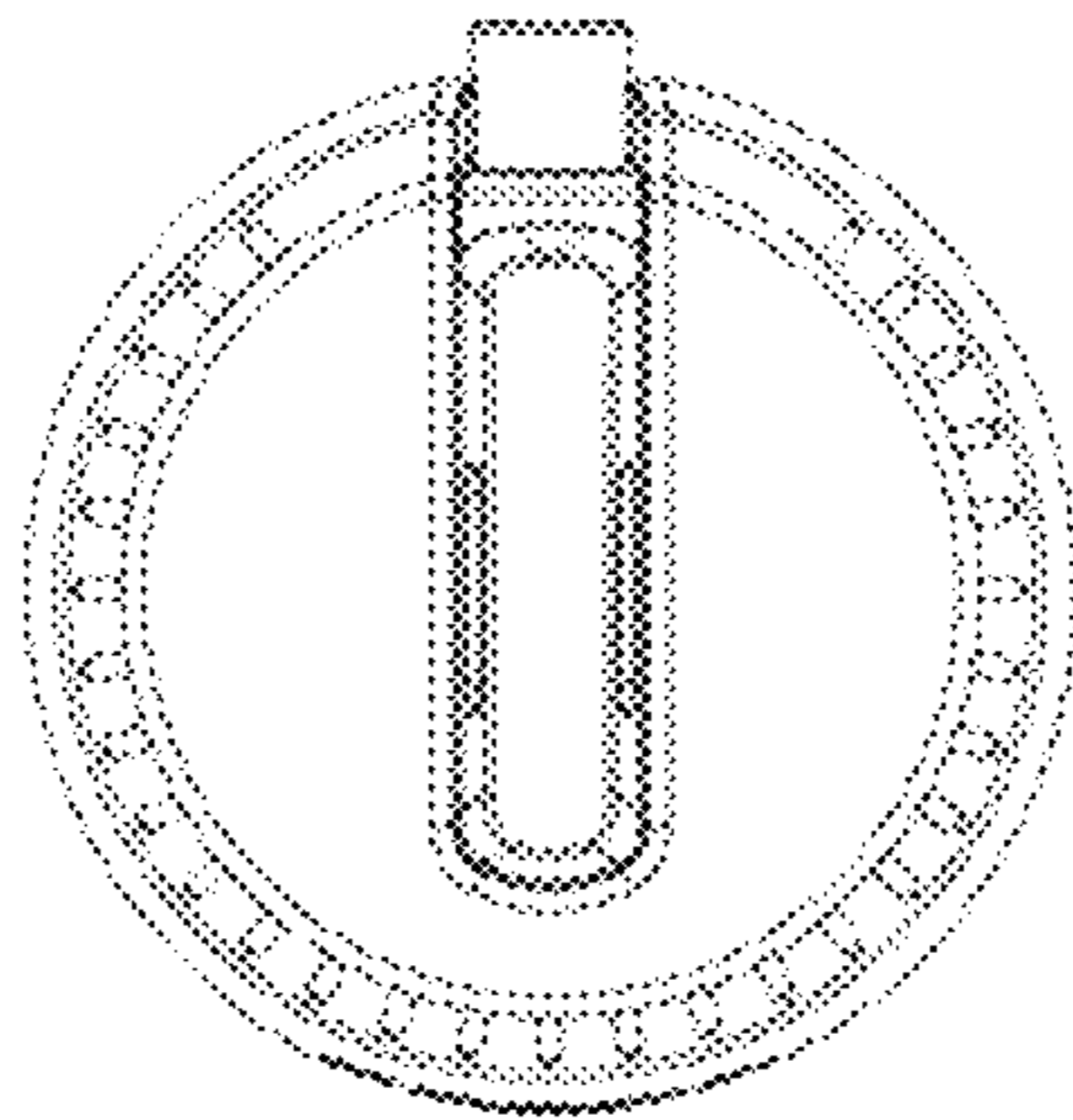


FIG. 7



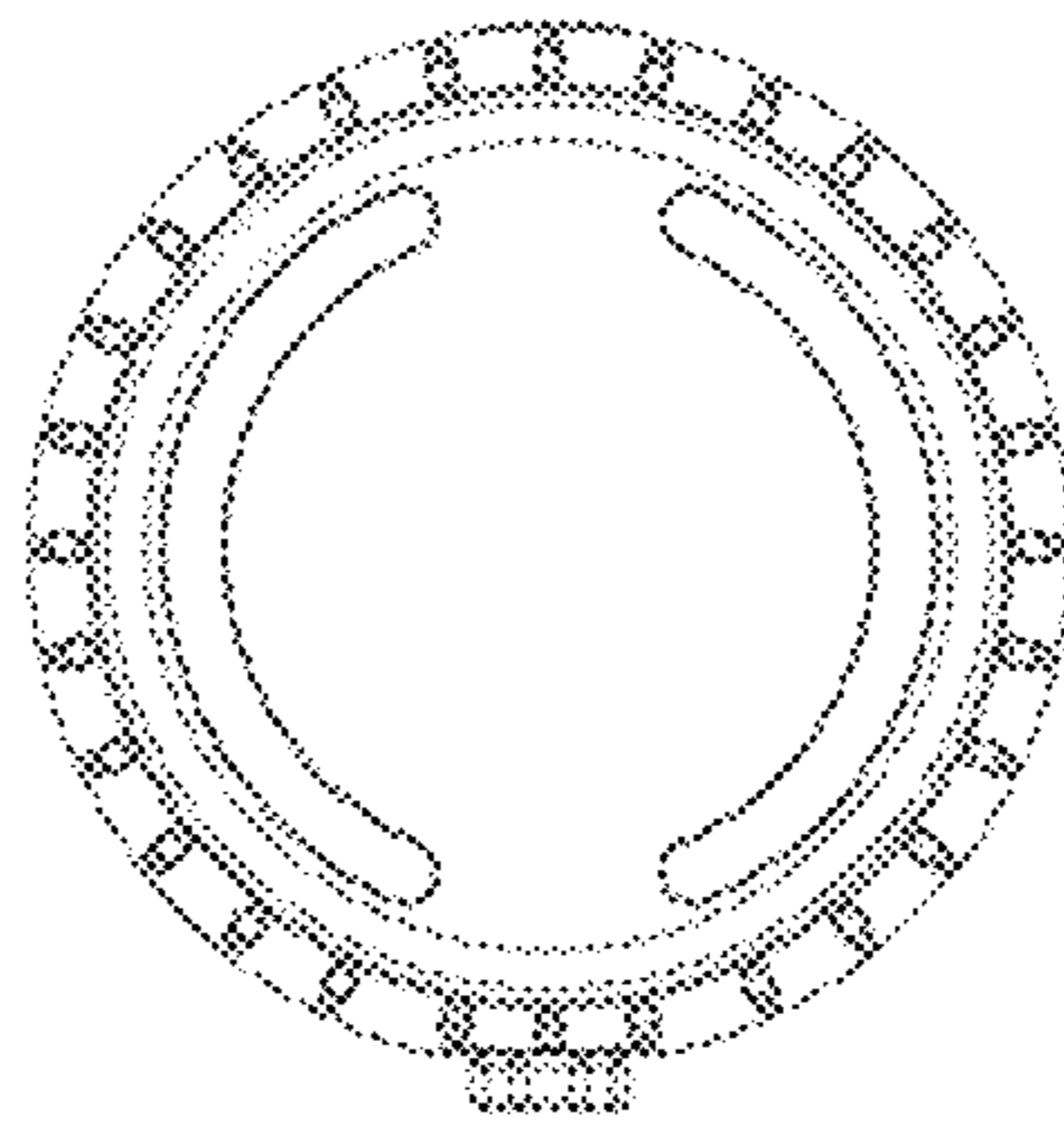


FIG. 8