

US00D964181S

(12) **United States Design Patent** (10) **Patent No.:** **US D964,181 S**
Lapeyrouse, Jr. (45) **Date of Patent:** **** Sep. 20, 2022**

(54) **MULTI-COMPONENT CONFECTIONARY DISPENSER**

FOREIGN PATENT DOCUMENTS

(71) Applicant: **Paul Joseph Lapeyrouse, Jr.**, Marrero, LA (US)

GB 2297306 A ‡ 7/1996 B62J 11/00
GB 2297306 A 7/1996
(Continued)

(72) Inventor: **Paul Joseph Lapeyrouse, Jr.**, Marrero, LA (US)

OTHER PUBLICATIONS

(73) Assignee: **FTGC, LLC**, Marrero, LA (US)

Espacenet English Abstract for JP2016220887 A, printed on Sep. 21, 2020.‡

(**) Term: **15 Years**

Primary Examiner — Keli L Hill

(21) Appl. No.: **29/823,159**

(74) *Attorney, Agent, or Firm* — Cahn & Samuels, LLP

(22) Filed: **Jan. 14, 2022**

Related U.S. Application Data

(62) Division of application No. 35/001,657, filed on Mar. 13, 2019 (U.S. filing date under 35 U.S.C. 384), and (Continued)

(57) **CLAIM**

I claim the ornamental design for a multi-component confectionary dispenser, as shown and described.

(51) **LOC (13) Cl.** **09-01**

(52) **U.S. Cl.**

USPC **D9/715**; D9/711; D1/109

(58) **Field of Classification Search**

USPC D9/414, 418, 444, 451, 454, 600, 614, D9/618, 621, 623, 631, 711, 715, D9/724-727; D1/101, 102, 104-108, D1/109; D28/85, 87, 88; D21/594, 621, D21/630, 631, 634; D7/601, 602, 629
CPC A23B 4/00; A23G 3/54; A23G 3/0065; A23G 3/343; A23G 3/2007; B65D 25/10; B65D 25/60; B65D 47/0838; B65D 85/72-80; B65D 85/804; G01F 11/06; G01F 11/30

DESCRIPTION

FIG. 1 is a perspective view of the ornamental multi-component confectionary dispenser design of the invention. FIG. 2 is a front view of the ornamental multi-component confectionary dispenser design of FIG. 1. FIG. 3 is a back view of the ornamental chromatograph multi-component confectionary dispenser design of FIG. 1. FIG. 4 is a first side view of the ornamental multi-component confectionary dispenser design of FIG. 1. FIG. 5 is a second side view of the ornamental multi-component confectionary dispenser design of FIG. 1. FIG. 6 is a top view of the ornamental multi-component confectionary dispenser design of FIG. 1; and, FIG. 7 is a bottom view of the ornamental multi-component confectionary dispenser design of FIG. 1.

See application file for complete search history.

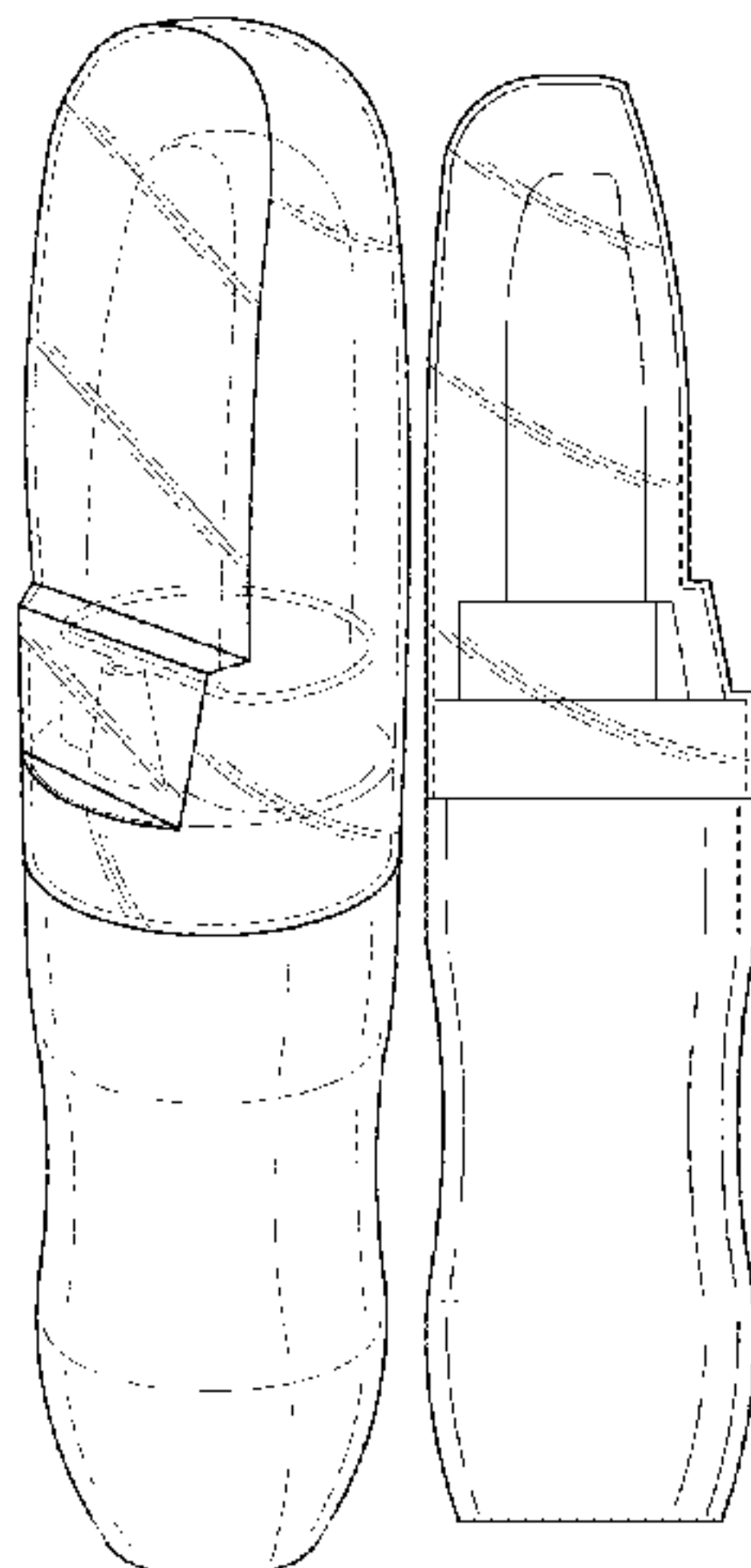
(56) **References Cited**

U.S. PATENT DOCUMENTS

1,903,464 A ‡ 4/1933 Konanz B65D 47/263
222/551
2,121,185 A ‡ 6/1938 Claff A23G 3/56
426/104

(Continued)

1 Claim, 4 Drawing Sheets



Related U.S. Application Data

having an international filing date of Mar. 13, 2019,
now Pat. No. Des. 942,867.

(56)

References Cited

U.S. PATENT DOCUMENTS

D172,014 S † 4/1954 Fine D9/619
D173,638 S † 12/1954 Bryant D9/623
3,063,391 A † 11/1962 Johnston A23G 3/0257
425/96
3,105,612 A † 10/1963 Krasnoff B65D 35/02
222/93
3,118,395 A † 1/1964 Steels et al. A23G 3/0205
425/130
3,545,980 A † 12/1970 Stanger A47G 21/183
426/134
3,821,425 A † 6/1974 Russell A23P 10/10
426/115
4,229,482 A † 10/1980 Kreske, Jr. A23G 3/563
426/660
4,278,189 A † 7/1981 Kirk, Jr. B05B 11/3047
222/464.5
4,902,519 A † 2/1990 Ream A23G 3/54
426/414
5,013,321 A † 5/1991 MacVane A61J 7/0053
426/115
5,161,718 A † 11/1992 Gueret B65D 47/2018
222/549
5,249,715 A † 10/1993 Tobler B05B 11/0008
222/522
5,320,260 A † 6/1994 Song B65D 47/40
222/570
5,323,933 A † 6/1994 Brakarz B05B 11/3018
222/321.2
5,324,527 A † 6/1994 Coleman A23G 3/563
426/115
5,370,884 A † 12/1994 Coleman A23G 3/563
426/115
D359,607 S † 6/1995 Yun 426/115
D365,750 S † 1/1996 Gouveia D21/623
D375,679 S * 11/1996 Russell D20/7
5,593,065 A † 1/1997 Harrold G01F 11/025
222/207
5,706,980 A † 1/1998 Dickerson A47G 19/02
222/481.5
D390,780 S † 2/1998 Walter D11/160
D403,579 S † 1/1999 Gallart D9/418
5,993,870 A † 11/1999 Hoeting A23G 9/44
426/112
6,062,936 A * 5/2000 Rudell B65D 77/24
446/491
D437,219 S † 2/2001 Gallart D9/418
6,187,350 B1 † 2/2001 Gallart A23G 3/545
426/138
6,187,352 B1 † 2/2001 Crosbie A23G 3/50
426/115
6,190,226 B1 † 2/2001 Conconi A23G 9/503
426/123
6,221,407 B1 † 4/2001 Gallart B65D 85/60
426/103
6,279,233 B1 † 8/2001 Cameron A61J 7/0046
30/125
D450,591 S † 11/2001 Escola Gallart D9/504
6,383,536 B1 * 5/2002 Palmer A23G 3/50
426/90

6,399,126 B1 † 6/2002 Weldon, Jr. A23P 10/10
426/87
6,485,348 B2 † 11/2002 Diresta A23G 3/50
426/104
D468,631 S † 1/2003 Hart D9/620
6,565,899 B1 † 5/2003 Cecere B65D 77/28
426/132
D477,529 S * 7/2003 Chan D21/402
6,660,316 B2 † 12/2003 Hart A23G 3/50
426/115
6,730,339 B2 † 5/2004 Chan A23G 3/50
426/115
D490,961 S † 6/2004 Hart D9/667
6,884,447 B2 † 4/2005 Baker B65D 81/366
426/115
D517,418 S † 3/2006 Meyer A23G 3/50
D21/637
7,682,215 B2 † 3/2010 Leonhardt A63H 3/16
446/73
8,092,847 B2 † 1/2012 Chan A23G 3/563
426/115
D656,032 S † 3/2012 Monette-Owens A23G 3/50
D9/614
D684,478 S † 6/2013 Castillo D9/527
8,722,121 B2 * 5/2014 Conway, Jr. B65D 85/60
426/89
D803,720 S † 11/2017 Siboni D11/160
D810,390 S † 2/2018 Lapeyrouse, Jr. B65D 85/72
D1/102
10,918,116 B2 * 2/2021 Lapeyrouse B65D 47/0838
D923,487 S * 6/2021 Hwang D9/711
D928,446 S * 8/2021 Reinhardt B65D 85/60
D1/105
D929,071 S * 8/2021 Reinhardt D1/105
D932,839 S * 10/2021 Lapeyrouse, Jr. D7/589
D932,900 S * 10/2021 Duffy B65D 77/24
D9/504
D935,894 S * 11/2021 Bordogna D9/711
D942,867 S * 2/2022 Lapeyrouse, Jr. D9/614
11,286,103 B2 * 3/2022 Lapeyrouse B65D 81/365
2003/0082279 A1 † 5/2003 Chan A23G 3/563
426/110
2003/0152672 A1 † 8/2003 Coleman A23G 3/563
426/115
2003/0206999 A1 † 11/2003 Coleman A23G 3/54
426/115
2003/0215549 A1 † 11/2003 Coleman A23G 3/563
426/115
2004/0137139 A1 † 7/2004 Diamond A23G 3/50
426/660
2004/0262334 A1 † 12/2004 Green G01F 11/06
222/321.7
2006/0040019 A1 † 2/2006 Cecere A23G 3/563
426/85
2007/0269560 A1 † 11/2007 Scott A23G 3/50
426/106
2018/0029788 A1 † 2/2018 Best B65D 25/10
2020/0198882 A1 † 6/2020 Lapeyrouse A23G 3/563

FOREIGN PATENT DOCUMENTS

JP 2016220887 A † 12/2016
JP 2016220887 A 12/2016
WO 02098764 A1 12/2002
WO WO-02098764 A1 † 12/2002 A23G 3/50
WO DM103431 M 2/2018
WO WO-DM103431 M † 2/2018

* cited by examiner
† imported from a related application

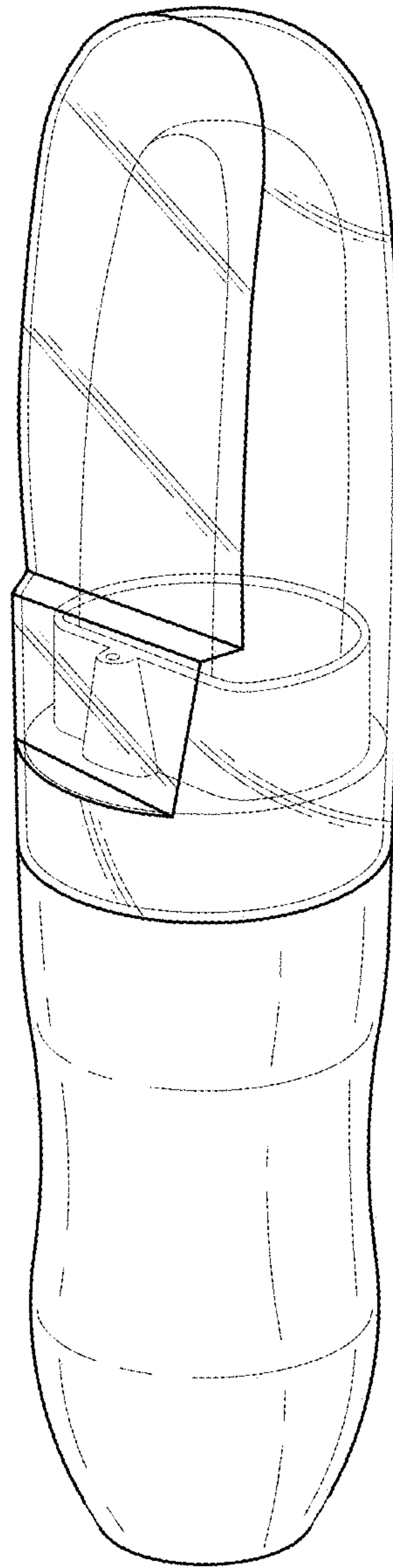


Fig. 1

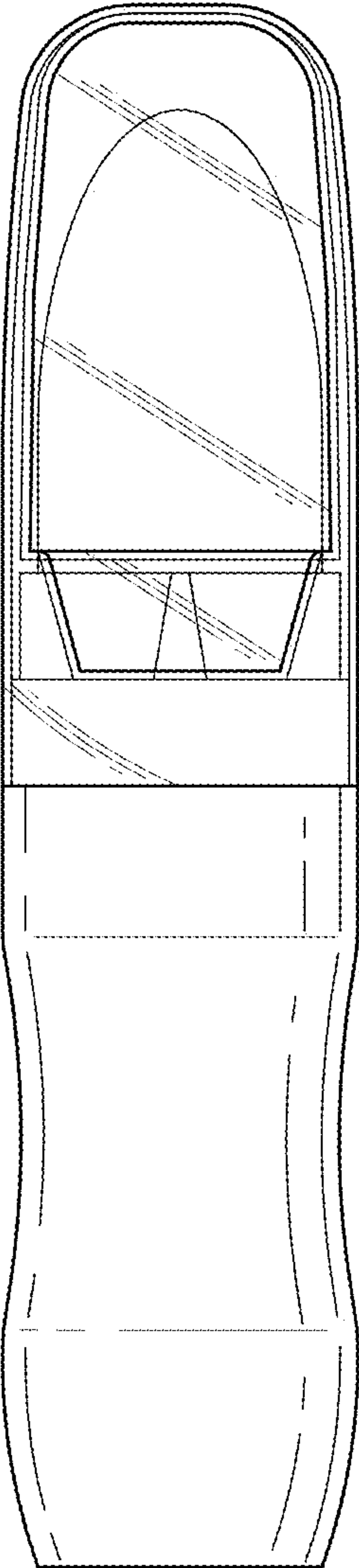


Fig. 2

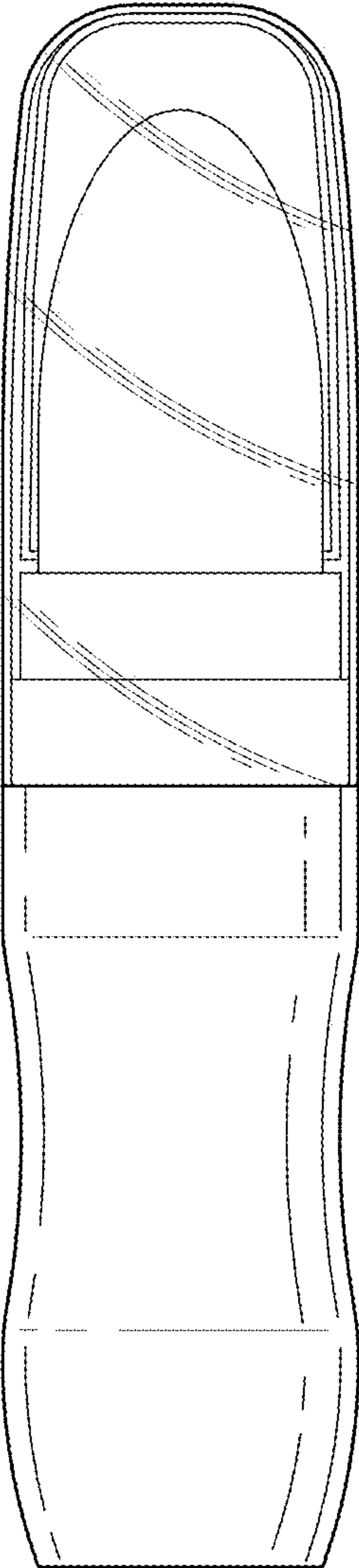


Fig. 3

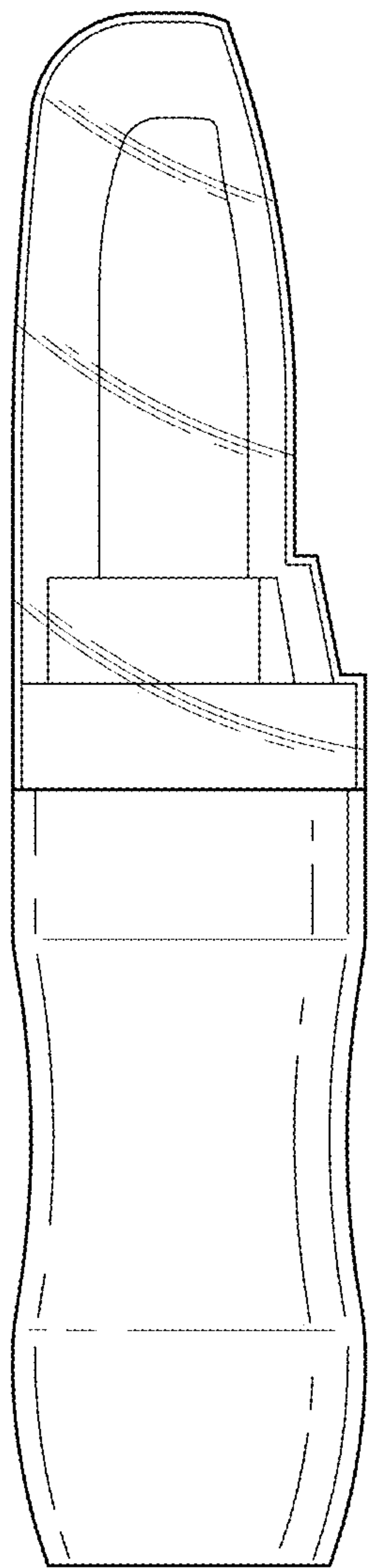


Fig. 4

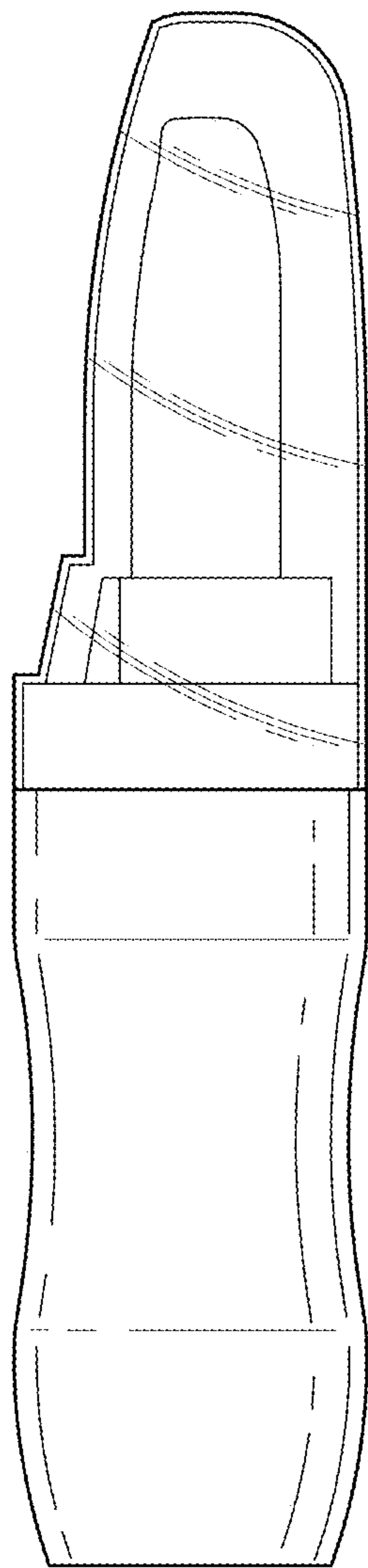


Fig. 5

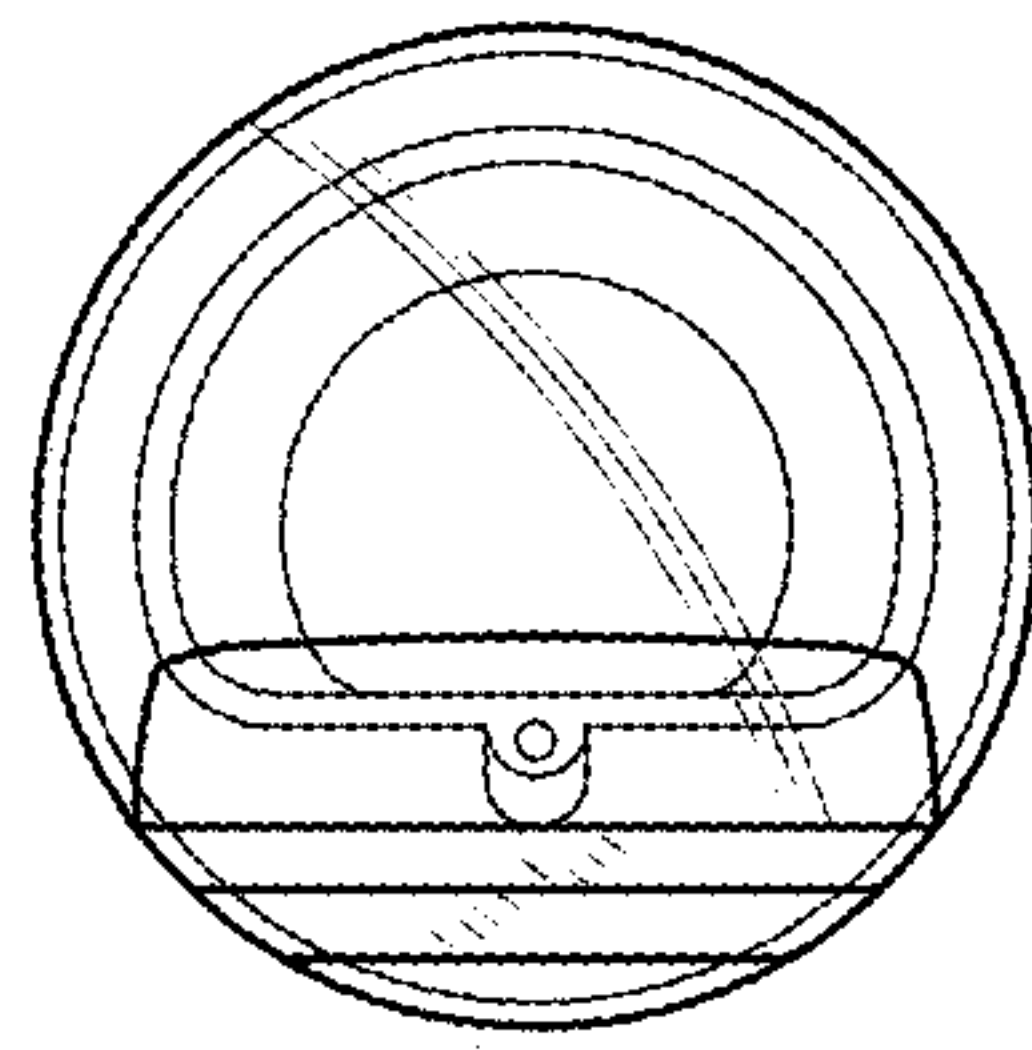


Fig. 6

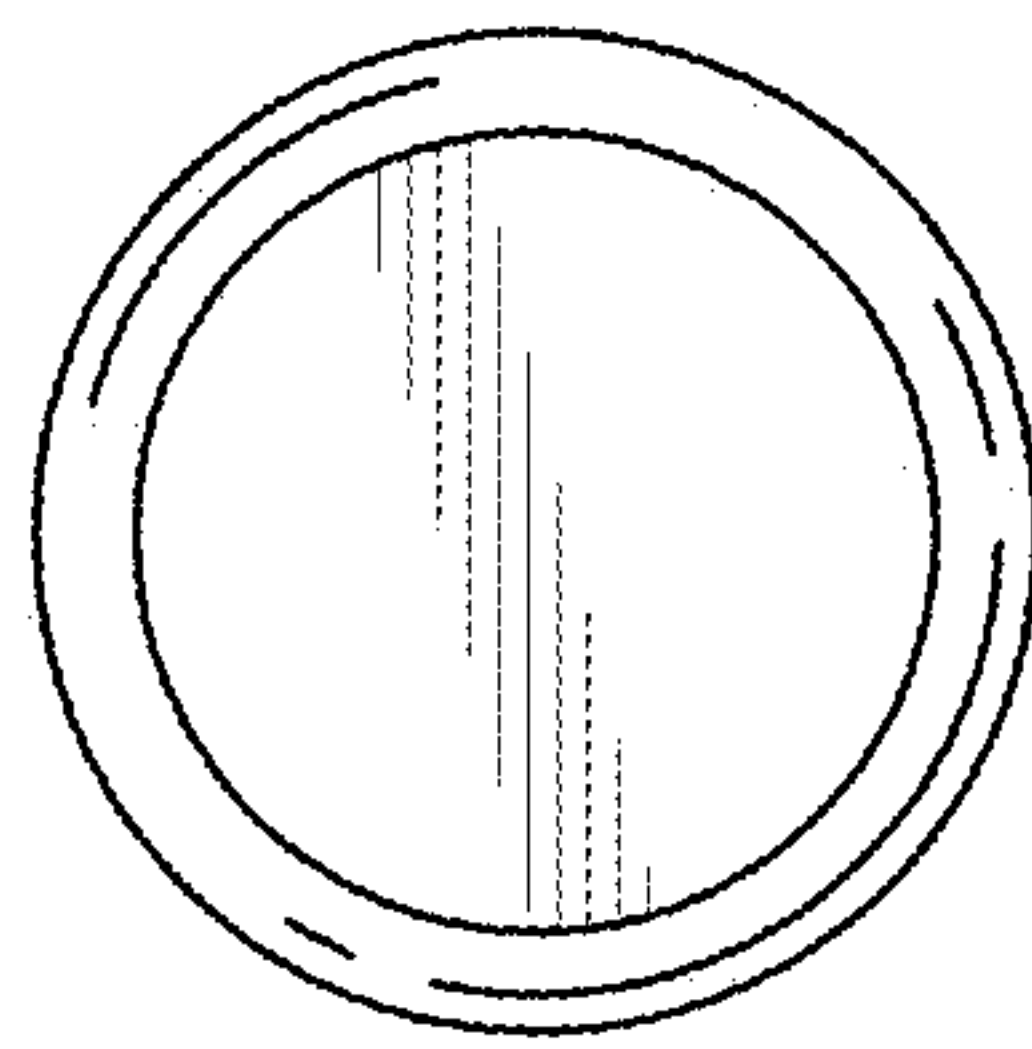


Fig. 7