



US00D964179S

(12) **United States Design Patent** (10) **Patent No.:** **US D964,179 S**
Tan (45) **Date of Patent:** **** Sep. 20, 2022**

(54) **SEALABLE TAPE WITH RECEIPT TAB FOR A BAG ASSEMBLY**

(71) Applicant: **Pan Pacific Plastics Mfg., Inc.**,
Hayward, CA (US)

(72) Inventor: **Hin Siang Michael Tan**, Danville, CA
(US)

(73) Assignee: **Pan Pacific Plastics Mfg., Inc.**,
Hayward, CA (US)

(**) Term: **15 Years**

(21) Appl. No.: **29/757,049**

(22) Filed: **Nov. 2, 2020**

Related U.S. Application Data

(63) Continuation-in-part of application No. 29/751,573,
filed on Sep. 22, 2020, which is a continuation of
application No. 29/748,869, filed on Sep. 1, 2020.

(51) **LOC (13) Cl.** **09-05**

(52) **U.S. Cl.**
USPC **D9/705**

(58) **Field of Classification Search**
USPC D9/702-714, 719, 738-740, 517-518,
D9/522, 416, 435, 444, 460, 455, 414,
(Continued)

(56) **References Cited**

U.S. PATENT DOCUMENTS

2,128,196 A 8/1938 Vogel
3,811,613 A 5/1974 Harrison
(Continued)

FOREIGN PATENT DOCUMENTS

CN 2347943 11/1999
DE 29500157 2/1995
(Continued)

OTHER PUBLICATIONS

International Search Report and Witten Opinion from International
Application No. PCT/US2019/030891, dated Jul. 26, 2019.

(Continued)

Primary Examiner — Abraham Bahta
(74) *Attorney, Agent, or Firm* — Beyer Law Group LLP

(57) **CLAIM**

I claim the ornamental design for a sealable tape with receipt
tab for a bag assembly, substantially as shown and described.

DESCRIPTION

FIG. 1 is a front perspective view of the sealable tape with
receipt tab showing my new design, mounted to a handled
bag assembly, shown in dash-dot-dot-dash lines;

FIG. 2 is a rear perspective view thereof, illustrating the
exposed adhesive;

FIG. 3 is a front perspective view thereof, the sealable tape
shown in a sealed condition with the bag assembly in a
closed condition, and illustrating a receipt, shown in dash-
dot-dash lines, adhered under a receipt tab of the sealable
tape;

FIG. 4 is a rear perspective view of FIG. 3;

FIG. 5 is an enlarged, front perspective view of the sealable
tape of FIG. 1, illustrating the sealable tape with all protec-
tive strips of a sealable portion covering the adhesive;

FIG. 6 is a rear perspective view thereof;

FIG. 7 is a rear perspective view thereof, the protective strips
of the sealable portion in a partially peeled condition;

FIG. 8 is a rear perspective view thereof with the protective
strips of the sealable portion in a fully peeled condition;

FIG. 9 is a front view of the tape of FIG. 5;

FIG. 10 is a front view thereof with the protective strips of
the sealable portion in the fully peeled condition

FIG. 11 is a rear view of FIG. 9;

FIG. 12 is a rear view of FIG. 10;

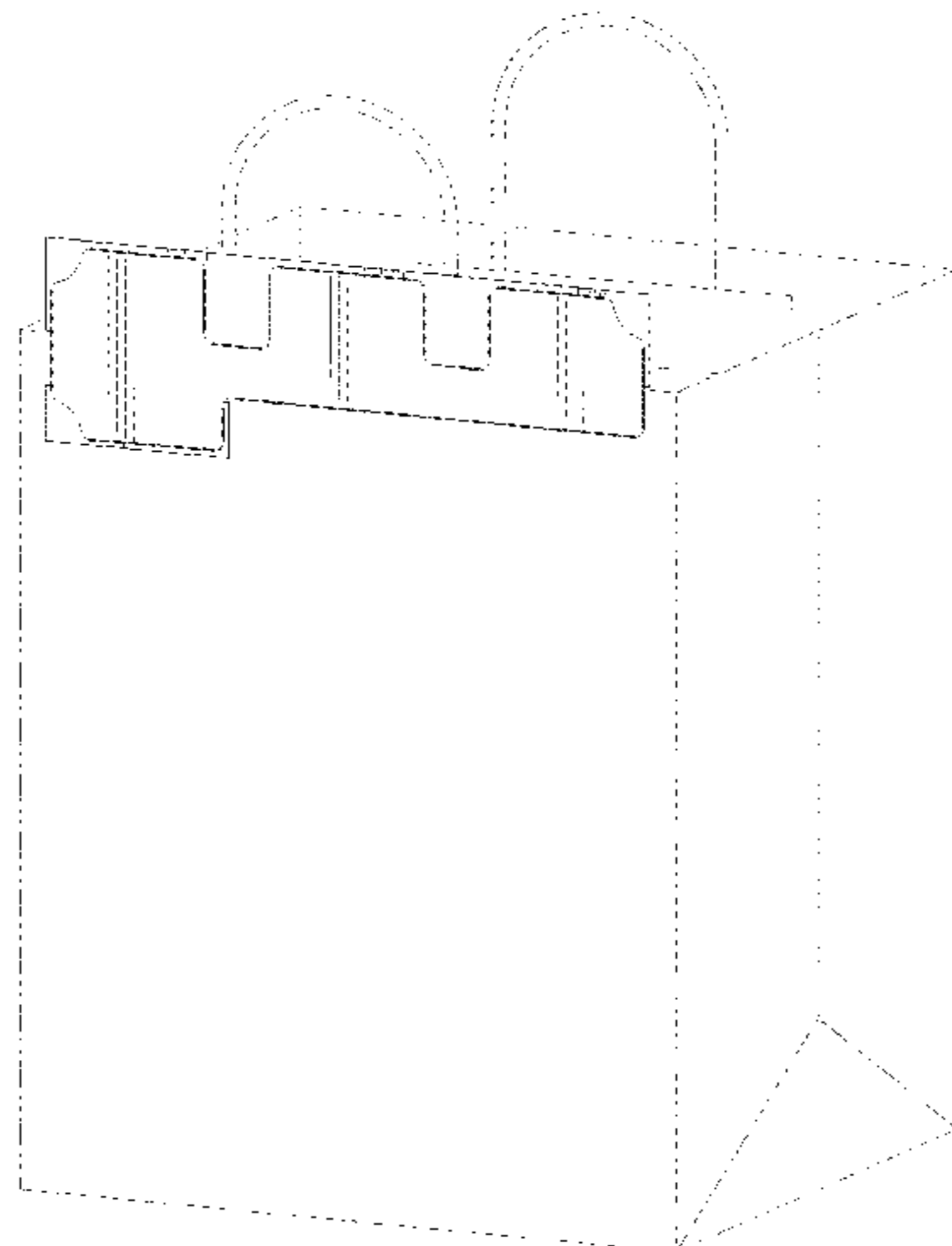
FIG. 13 is a top view of FIG. 9;

FIG. 14 is a bottom view thereof;

FIG. 15 is a right side view thereof; and,

FIG. 16 is a left side view thereof.

(Continued)



All of the material from the U.S. Application which is essential to the claimed design is included herein. Any material in the U.S. Application which is not present herein forms no part of the claimed design.

The broken lines in the Figures show portions of the sealable tape which form no part of the claimed design.

The dash-dot-dash line showing of a receipt adhered under the receipt tab is included for the purpose of illustrating environmental structure and forms no part of the claimed design.

The dash-dot-dot-dash showing of a bag assembly upon which the sealable tape is adhered is included for the purpose of illustrating environmental structure and forms no part of the claimed design.

The shade lines in the Figures show contours and not surface ornamentation.

1 Claim, 10 Drawing Sheets

(58) **Field of Classification Search**

USPC D9/499, 431-432; D7/560-562;
 206/434, 426-427, 429-430, 485, 485.1,
 206/499, 508, 431, 418-422, 588-594;
 229/117.3, 185, 121, 122, 200, 207, 236,
 229/87.01; 220/23.83; 150/100-118;
 294/137, 152; 383/6, 10, 14, 20, 40, 33,
 383/104-105, 117, 108, 120, 93, 121.1,
 383/127; 428/34.3
 CPC B65D 33/00; B65D 33/06; B65D 33/065;
 B65D 33/14; B65D 33/1683; B65D
 33/12; B65D 31/00; B65D 31/04; B65D
 31/10; A45C 3/04; A45C 3/10

See application file for complete search history.

(56) **References Cited**

U.S. PATENT DOCUMENTS

D319,780 S 9/1991 Laaki
 5,352,041 A 10/1994 Fullerton
 5,608,949 A 3/1997 Cooley et al.
 D501,134 S 1/2005 Takahashi

D597,832 S 8/2009 Bischoff et al.
 9,630,748 B2 4/2017 Keller
 D801,826 S 11/2017 O'Connor et al.
 D811,896 S 3/2018 Wigman
 D812,490 S 3/2018 Wigman
 D821,223 S 6/2018 Tan
 D828,763 S 9/2018 Tan
 D830,849 S 10/2018 Tan
 D864,752 S 10/2019 Tan
 10,913,578 B2 2/2021 Tan
 D929,238 S * 8/2021 Chen D9/704
 2006/0072855 A1 4/2006 Shaw
 2007/0292053 A1 12/2007 Lin
 2017/0166358 A1 6/2017 Chandaria
 2019/0112116 A1 4/2019 Su et al.

FOREIGN PATENT DOCUMENTS

DE 102009007985 2/2010
 EP 0515086 11/1992
 EP 3623316 3/2020
 GB 2382562 6/2003
 JP 01254557 10/1989
 JP H02-13001 U 1/1990
 JP 02-031846 7/1990
 JP 05-042035 Y 10/1993
 JP 2017061324 3/2017
 JP 2017186073 10/2017
 KR 10-1935325 12/2018

OTHER PUBLICATIONS

Restriction Requirement from U.S. Appl. No. 29/751,573 dated Mar. 3, 2022.
 Ex Parte Quayle from U.S. Appl. No. 29/748,869 dated Apr. 12, 2022.
 Notice of Allowance from U.S. Appl. No. 17/137,045 dated Mar. 28, 2022.
 International Search Report from International Application No. PCT/US2021/054409 dated Jan. 26, 2022.
 Written Opinion from International Application No. PCT/US2021/054409 dated Jan. 26, 2022.
 Final Office Action from U.S. Appl. No. 17/137,045 dated Jan. 25, 2022.
 Final Office Action from U.S. Appl. No. 17/124,244 dated Feb. 4, 2022.

* cited by examiner

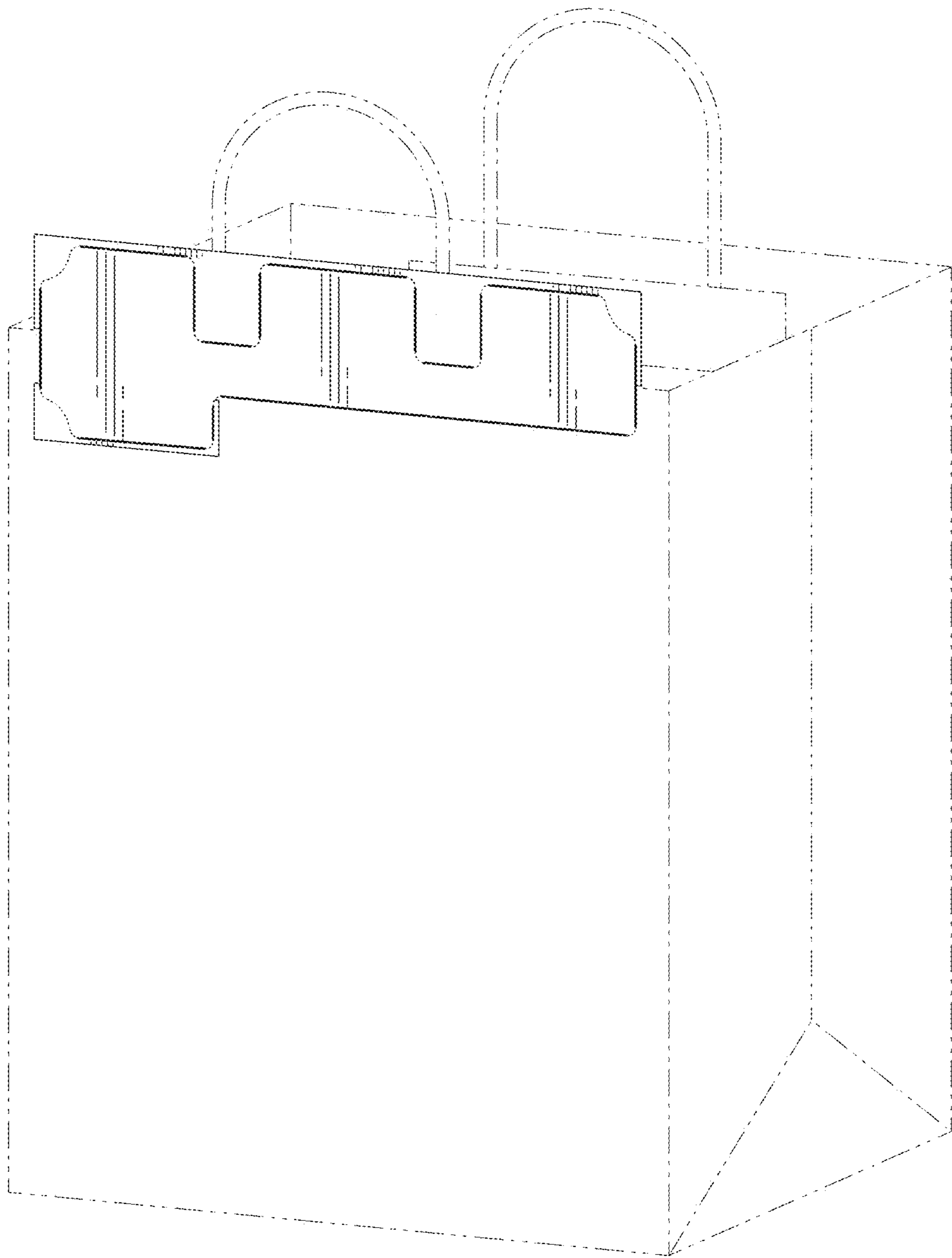


FIG. 1

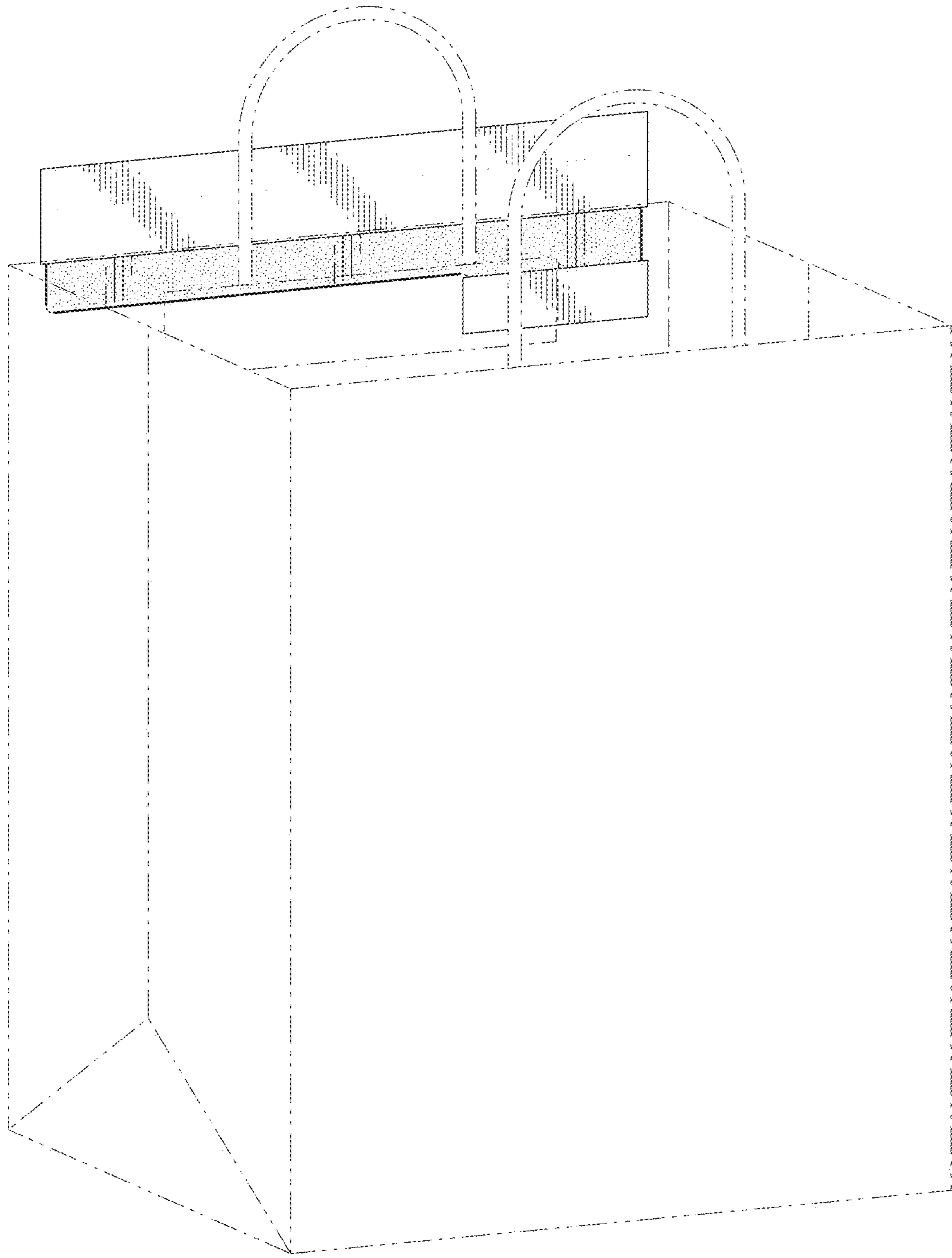


FIG. 2

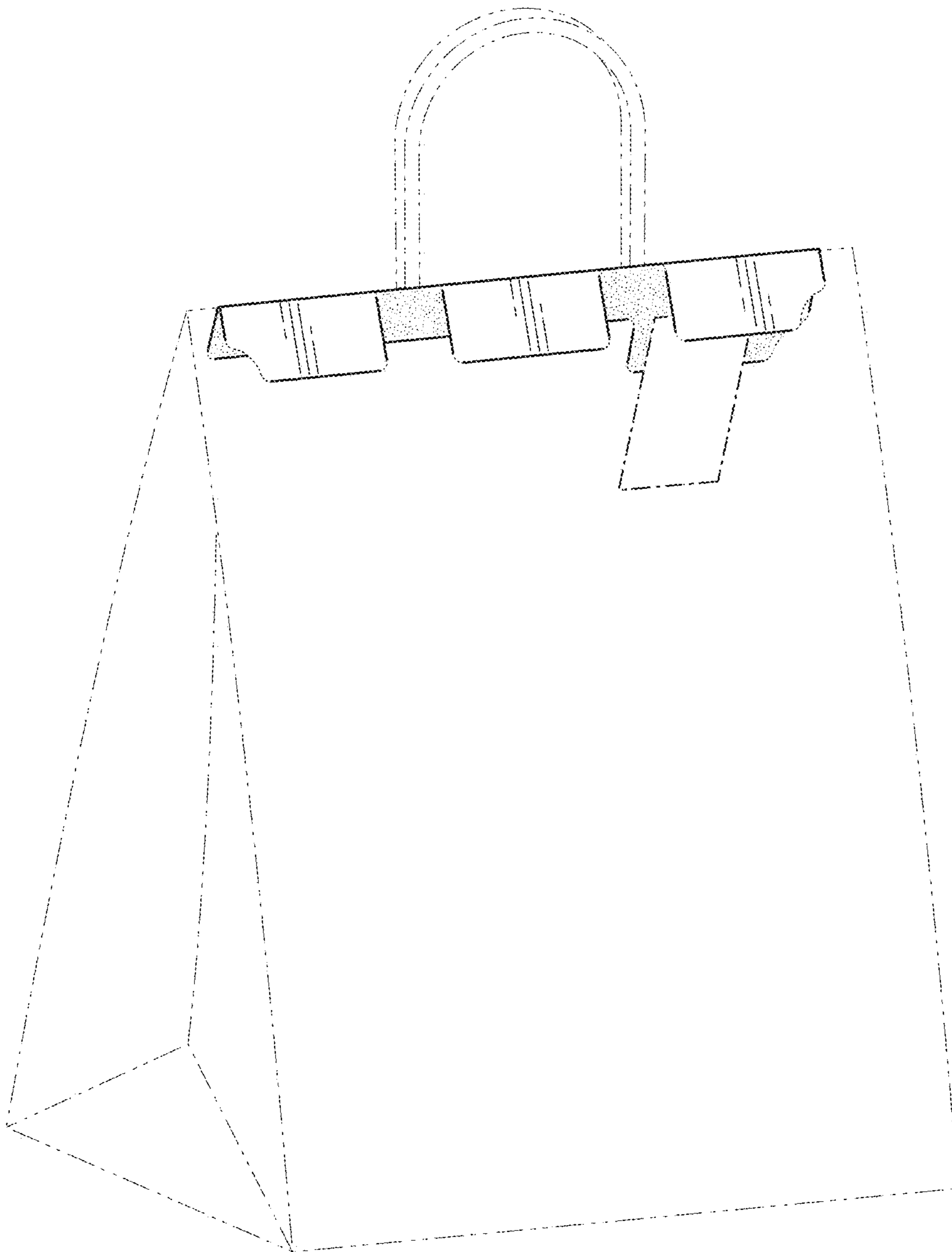


FIG. 3

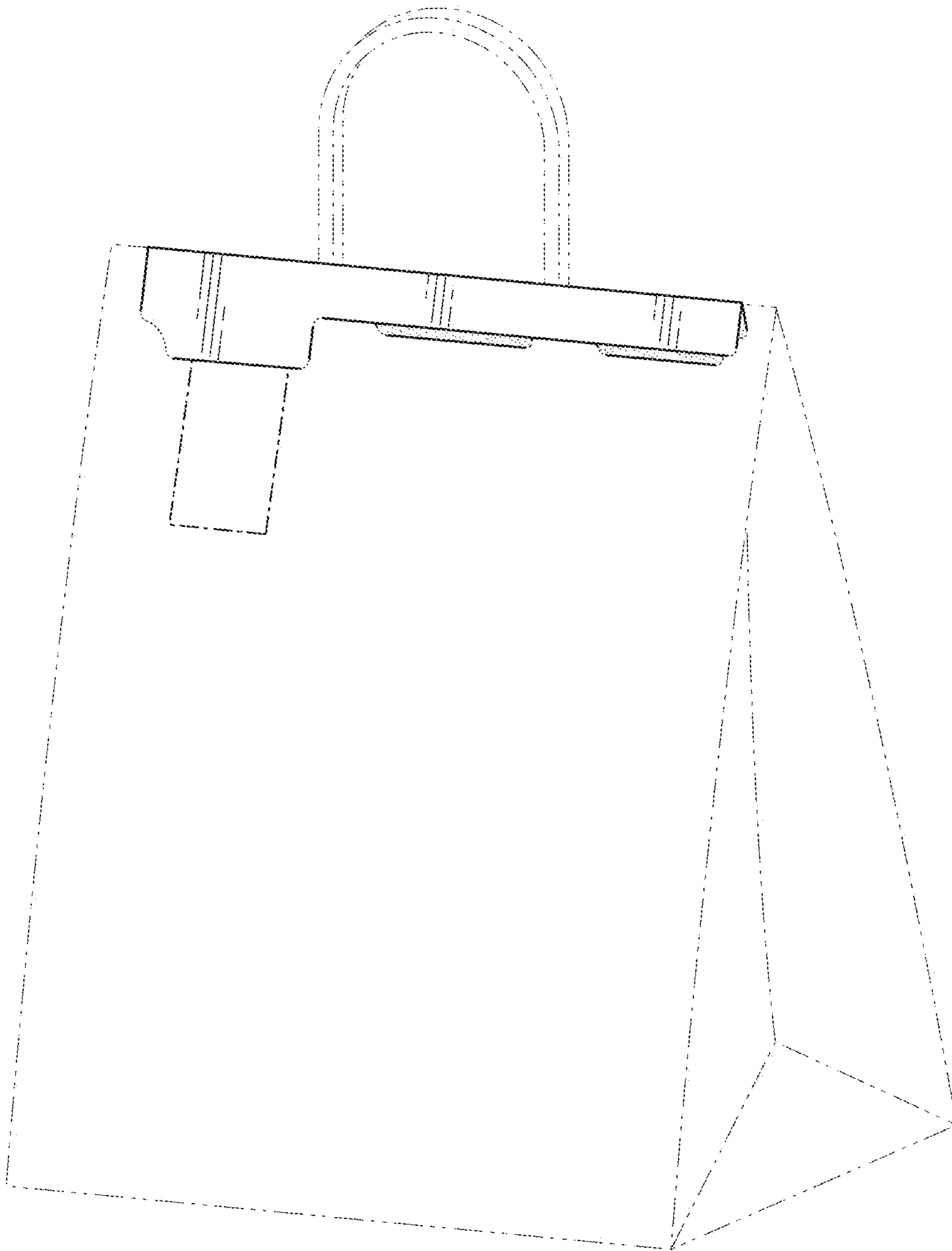


FIG. 4

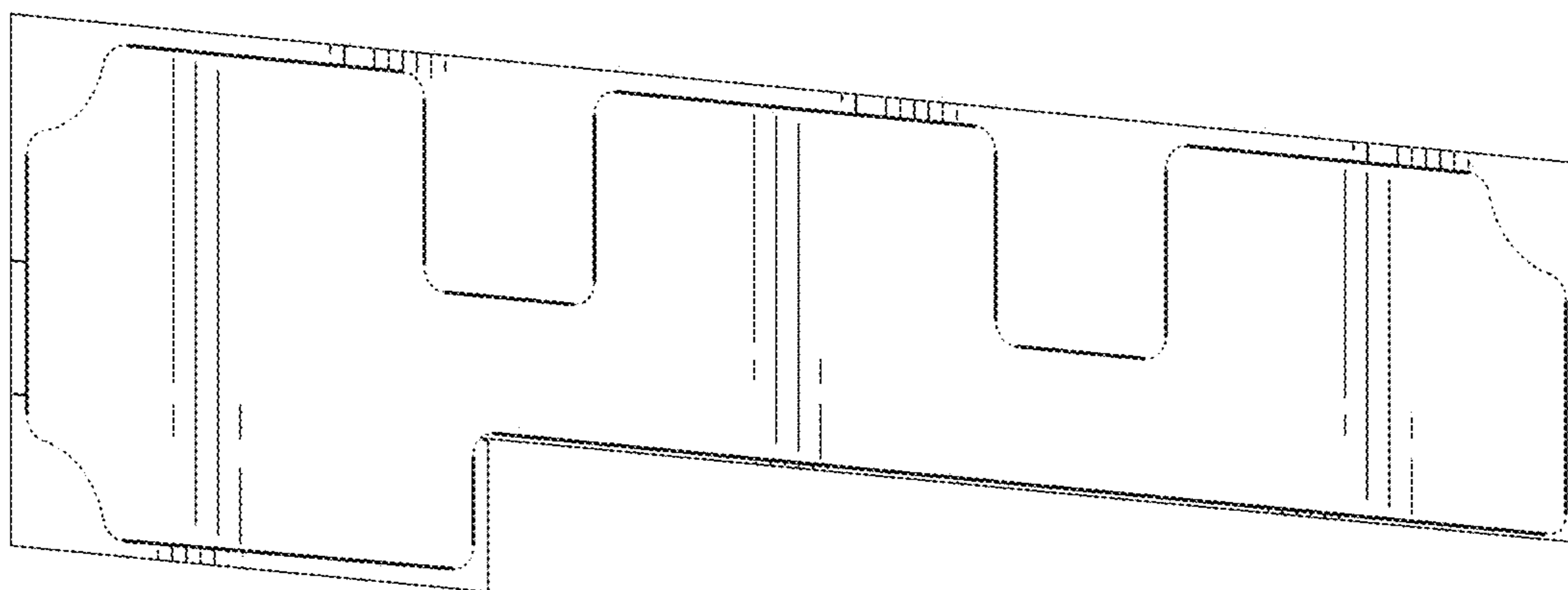


FIG. 5

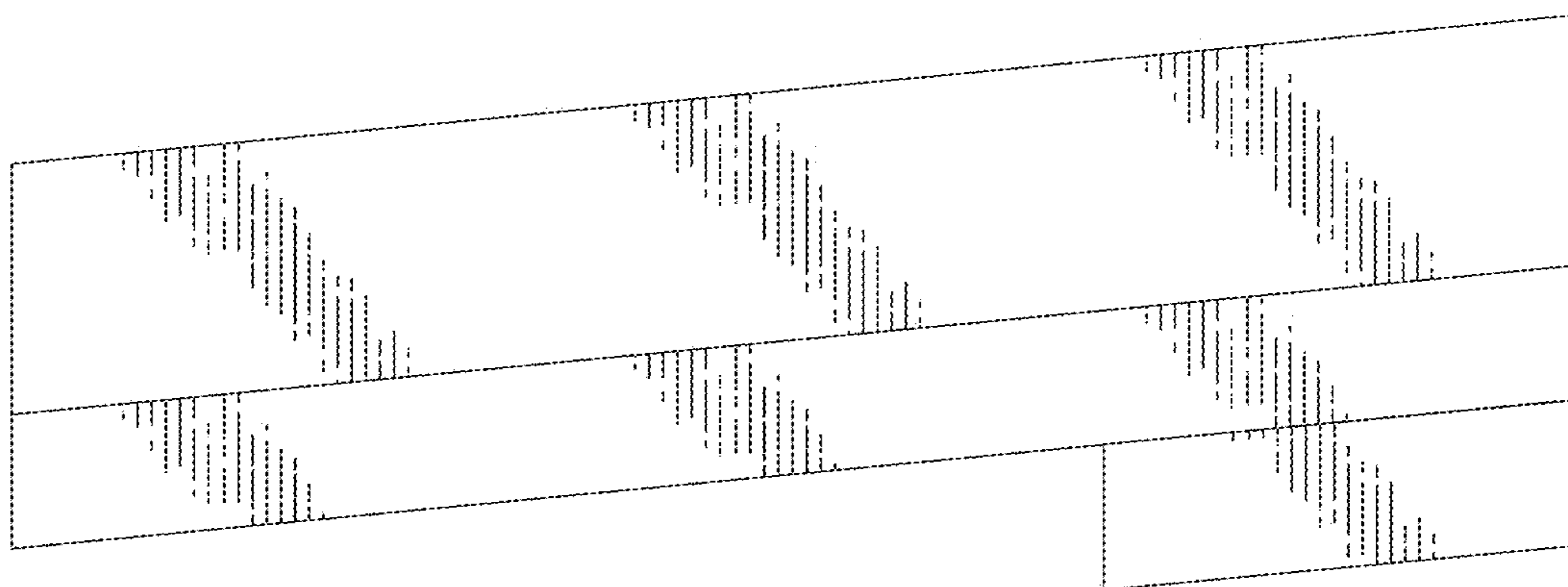


FIG. 6

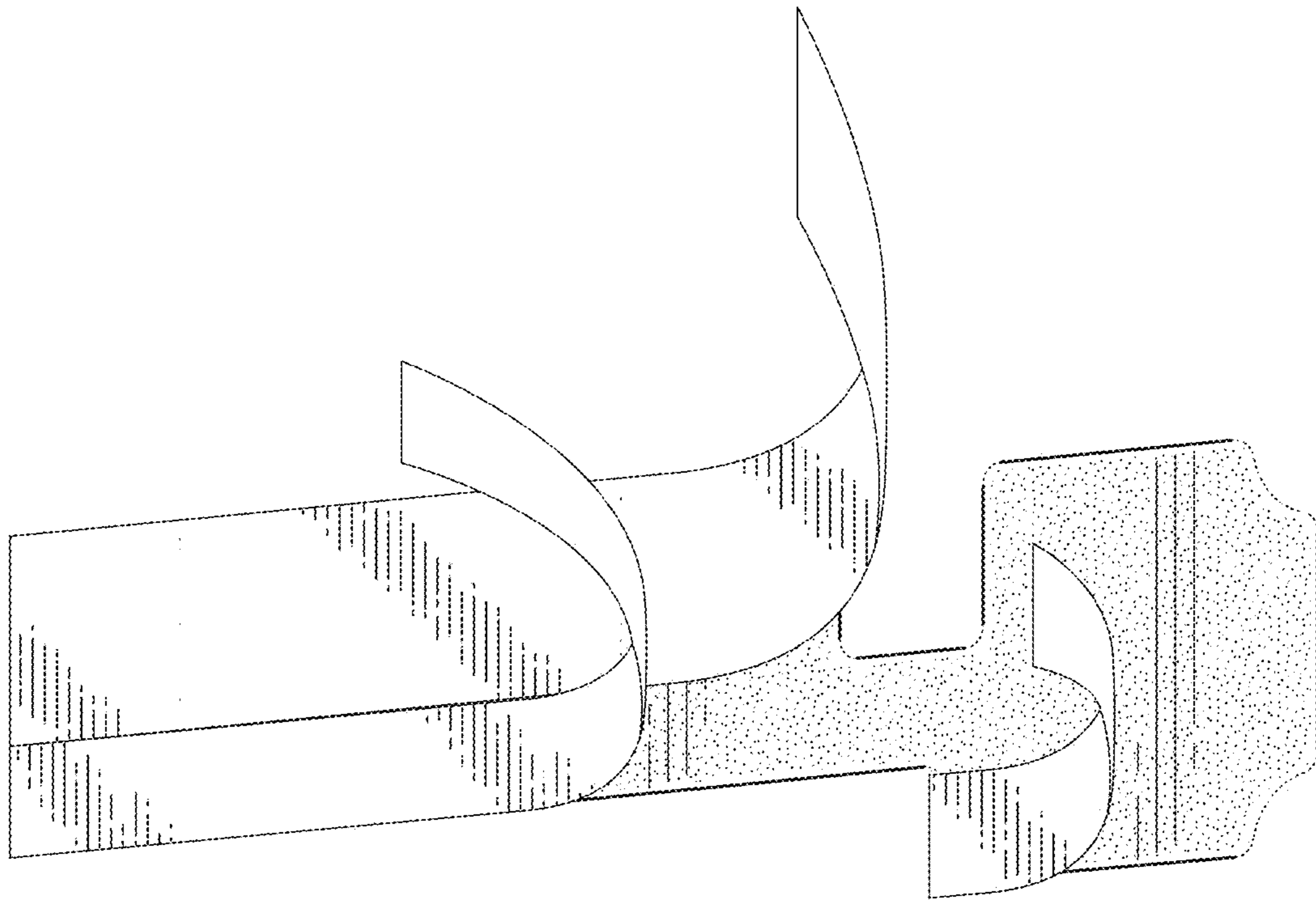


FIG. 7

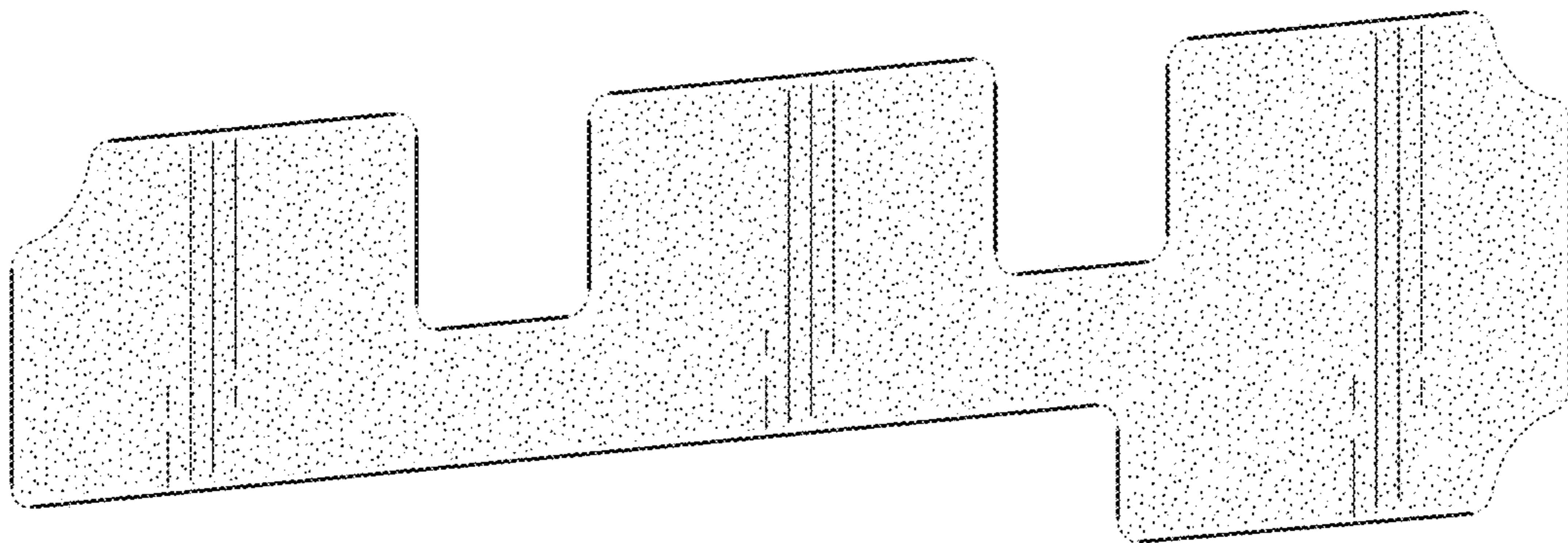


FIG. 8

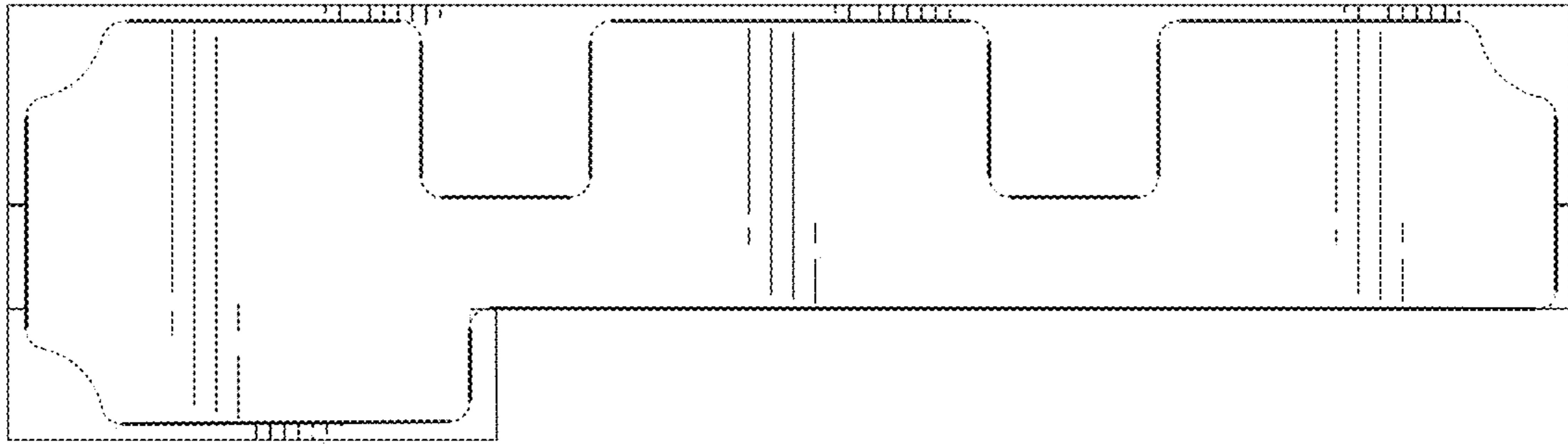


FIG. 9

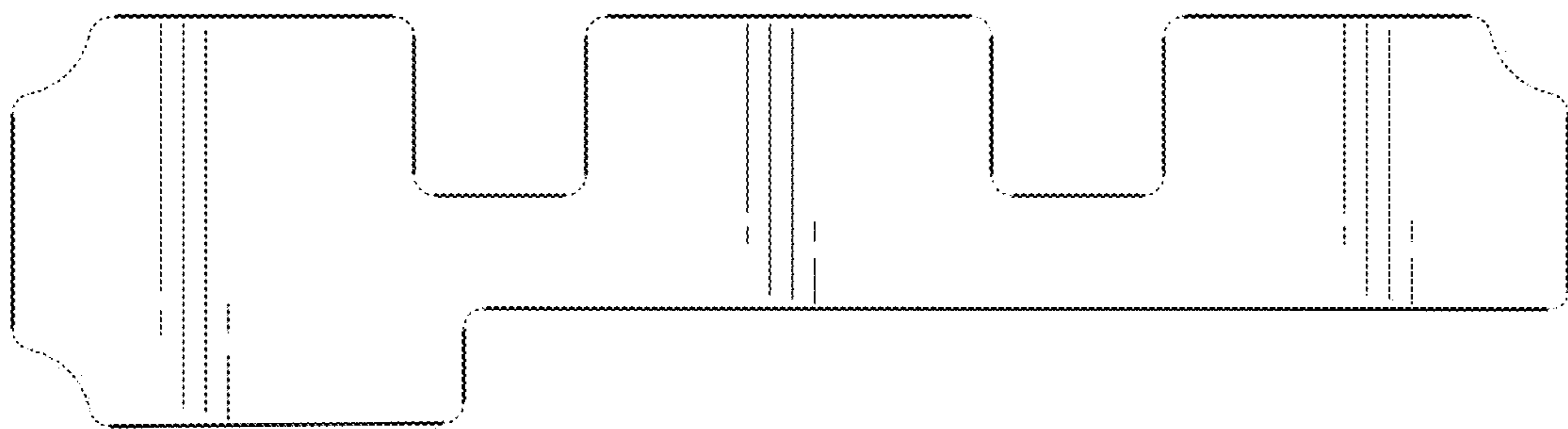


FIG. 10

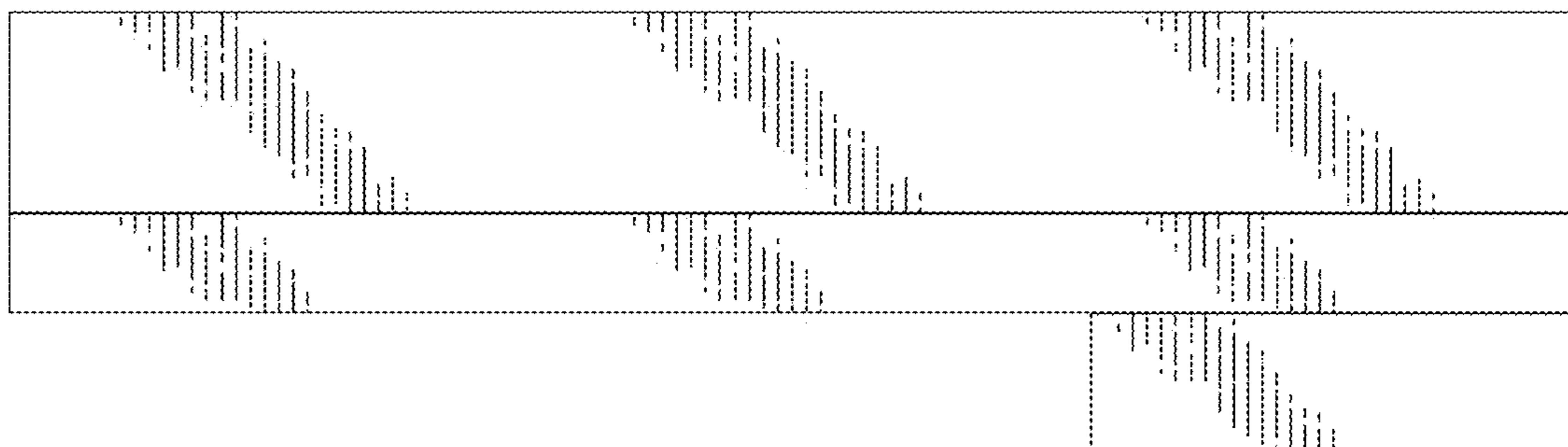


FIG. 11

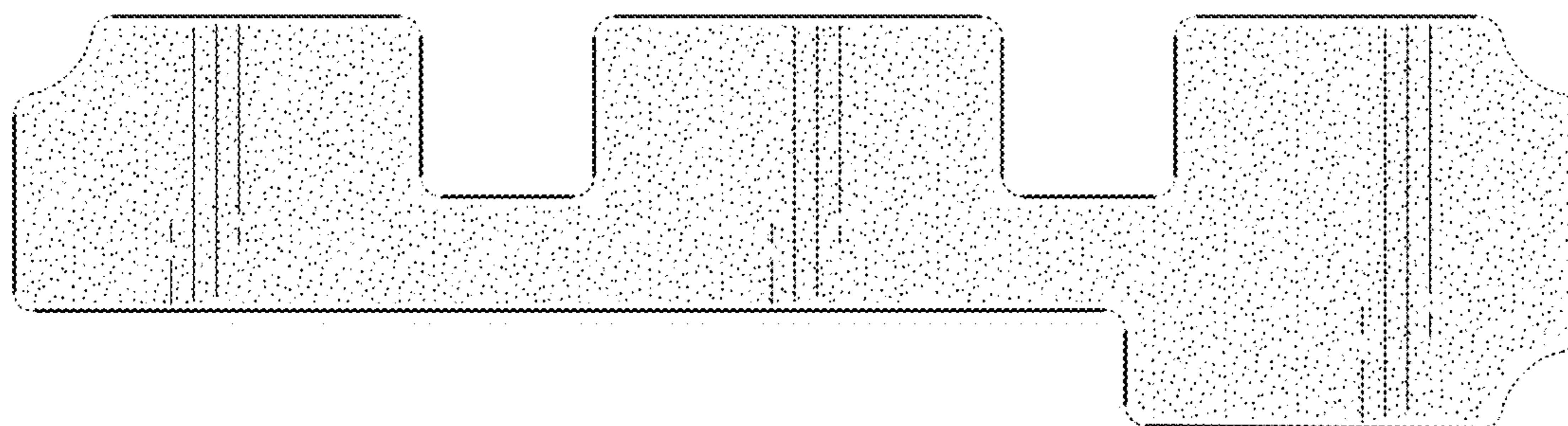


FIG. 12



FIG. 13



FIG. 14



FIG. 15



FIG. 16