

US00D964178S

(12) **United States Design Patent** (10) **Patent No.:** **US D964,178 S**
Lefebure et al. (45) **Date of Patent:** **** Sep. 20, 2022**

(54) **BOTTLE**

FOREIGN PATENT DOCUMENTS

(71) Applicant: **R & D Tool & Engineering Co.**, Lee's Summit, MO (US)

CN 304183120 * 6/2017

(72) Inventors: **Brian R. Lefebure**, Lee's Summit, MO (US); **Kent Wesley Bersuch**, Blue Springs, MO (US); **Mike Wilkerson**, Kansas City, MO (US); **Jincheng Chen**, Leawood, KS (US)

OTHER PUBLICATIONS

International Search Report and Written Opinion dated Mar. 19, 2021 for related PCT Patent Application No. PCT/US2020/065237, 16 pages.

(73) Assignee: **R & D Tool & Engineering Co.**, Lee's Summit, MO (US)

Primary Examiner — Brett Miller

Assistant Examiner — Rani J Abdallah

(**) Term: **15 Years**

(74) *Attorney, Agent, or Firm* — Hovey Williams LLP; Kameron D. Kelly

(21) Appl. No.: **29/717,866**

(57) **CLAIM**

The ornamental design for a bottle, as shown and described.

(22) Filed: **Dec. 19, 2019**

(51) **LOC (13) Cl.** **09-01**

(52) **U.S. Cl.**

USPC **D9/575**; D9/549

(58) **Field of Classification Search**

USPC D9/500–505, 529, 547, 548, 549, 550, D9/556, 557, 558, 573, 575, 428, 445, D9/518, 551, 563, 564, 520; D3/203.2

CPC .. B65D 1/0223; B65D 83/205; B65D 1/0246; A45D 34/045

See application file for complete search history.

DESCRIPTION

FIG. 1 is a top perspective view of an embodiment of a bottle showing our new design;

FIG. 2 is a bottom perspective view thereof;

FIG. 3 is a front elevation view thereof;

FIG. 4 is a left side elevation view thereof, wherein a right side elevation view is a mirror of FIG. 4;

FIG. 5 is a top plan view thereof;

FIG. 6 is a bottom plan view thereof;

FIG. 7 is a rear elevation view thereof; and

FIG. 8 is a cross-section taken along the line 8-8 of FIG. 4;

FIG. 9 is a cross-section taken along the line 9-9 of FIG. 3;

FIG. 10 is a cross-section taken along the line 10-10 of FIG. 3;

FIG. 11 is a perspective view of a cross-section taken along the line 11-11 of FIG. 4; and,

FIG. 12 is another perspective view of a cross-section taken along the line 12-12 of FIG. 4.

The broken lines shown in the figures form no part of the claimed design.

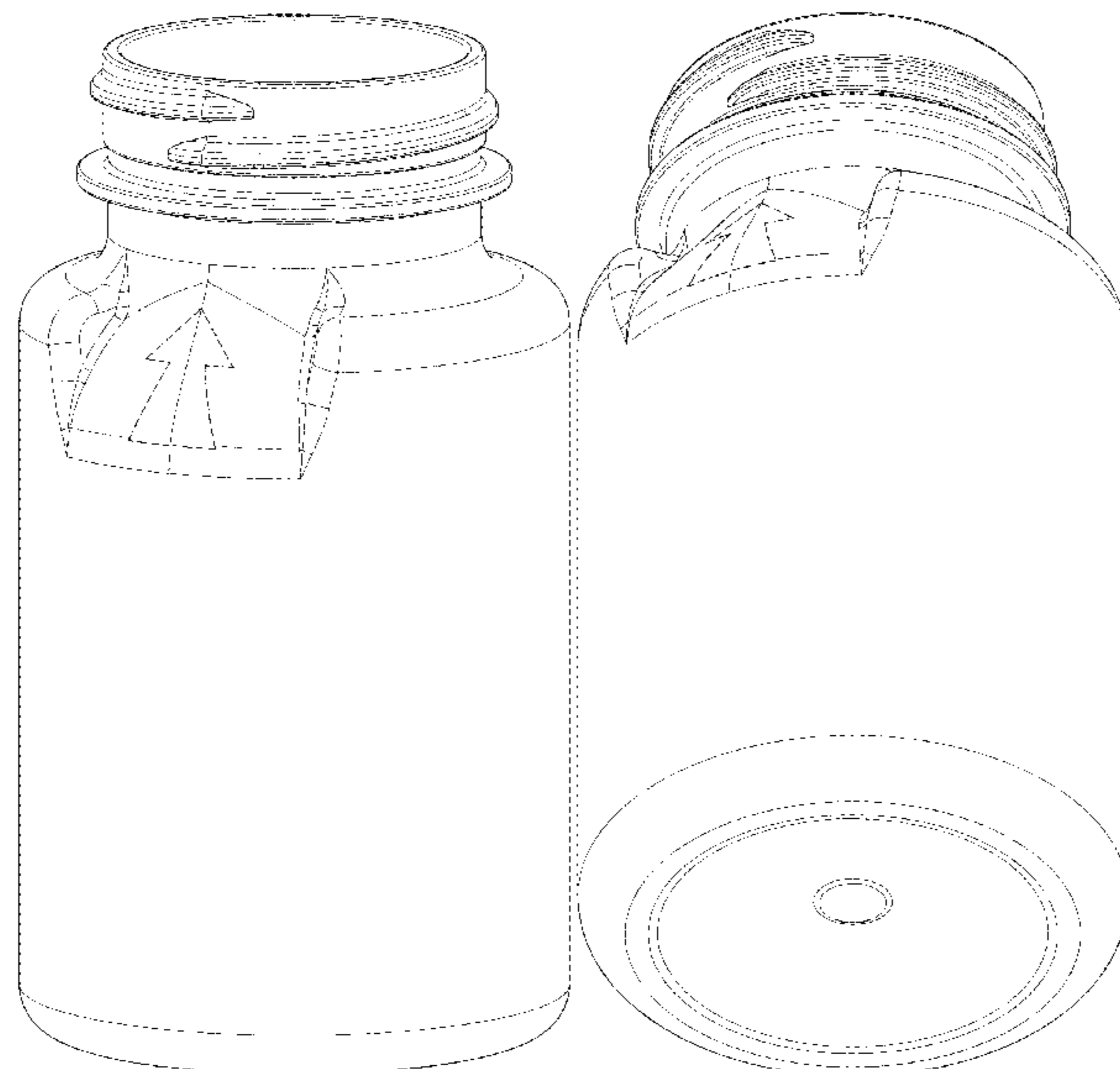
(56) **References Cited**

U.S. PATENT DOCUMENTS

3,235,111	A	2/1966	Whitton, Jr. et al.
3,536,223	A	10/1970	Muhlhoff
3,538,543	A	11/1970	Nataf
4,280,805	A	7/1981	Hafele
4,653,668	A	3/1987	Gibilisco et al.
5,065,875	A	11/1991	Balavich
5,213,232	A	5/1993	Kraft et al.
5,222,615	A	6/1993	Ota et al.
5,881,721	A	3/1999	Bunce et al.

(Continued)

1 Claim, 11 Drawing Sheets



(56)

References Cited

U.S. PATENT DOCUMENTS

D602,357	S *	10/2009	Serrano Diaz	D9/502
D604,619	S *	11/2009	Tebe Poves	D9/575
D652,722	S *	1/2012	Robertson	D9/504
D696,945	S *	1/2014	Newman	D9/500
D799,967	S *	10/2017	Wade	D9/520
D845,131	S *	4/2019	Moretti	D9/500
D848,852	S *	5/2019	Simon	D9/563
D848,853	S *	5/2019	Simon	D9/563
D860,322	S *	9/2019	Edwards	D20/27
D880,844	S *	4/2020	Burrows	D3/203.2
D899,258	S *	10/2020	Miceli	D9/558
D908,505	S *	1/2021	Miceli	D9/558
D926,579	S *	8/2021	Sanders	D9/500
D932,253	S *	10/2021	Ludolph	D9/500
2005/0029219	A1 *	2/2005	Taber	B65D 41/045 215/349
2015/0291319	A1 *	10/2015	Soyama	B29C 45/1603 220/663
2017/0021956	A1	1/2017	Ring et al.		
2020/0339317	A1 *	10/2020	French	B65D 50/046
2021/0188475	A1 *	6/2021	Lefebure	A61J 7/0076

* cited by examiner

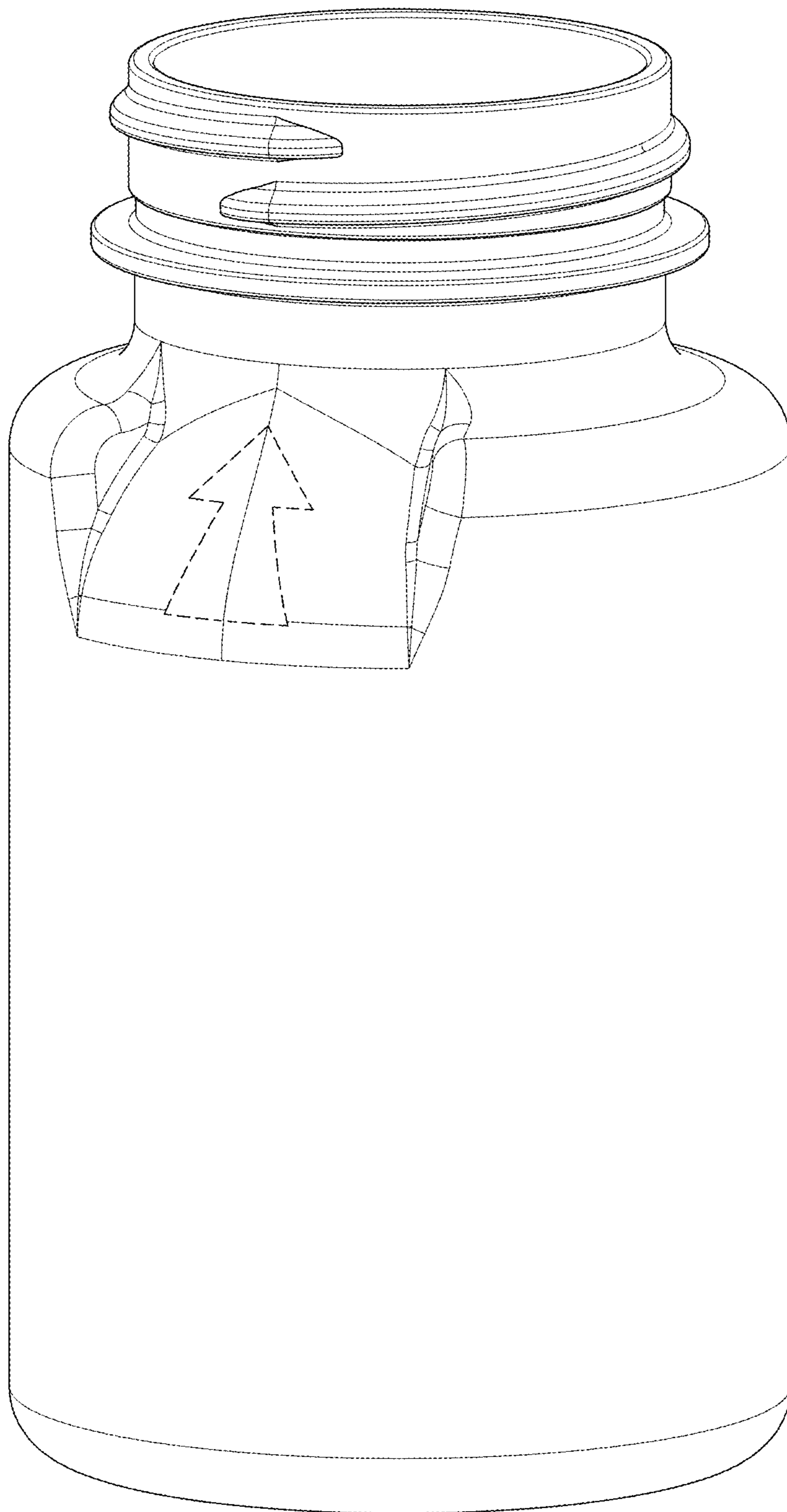


Fig. 1.

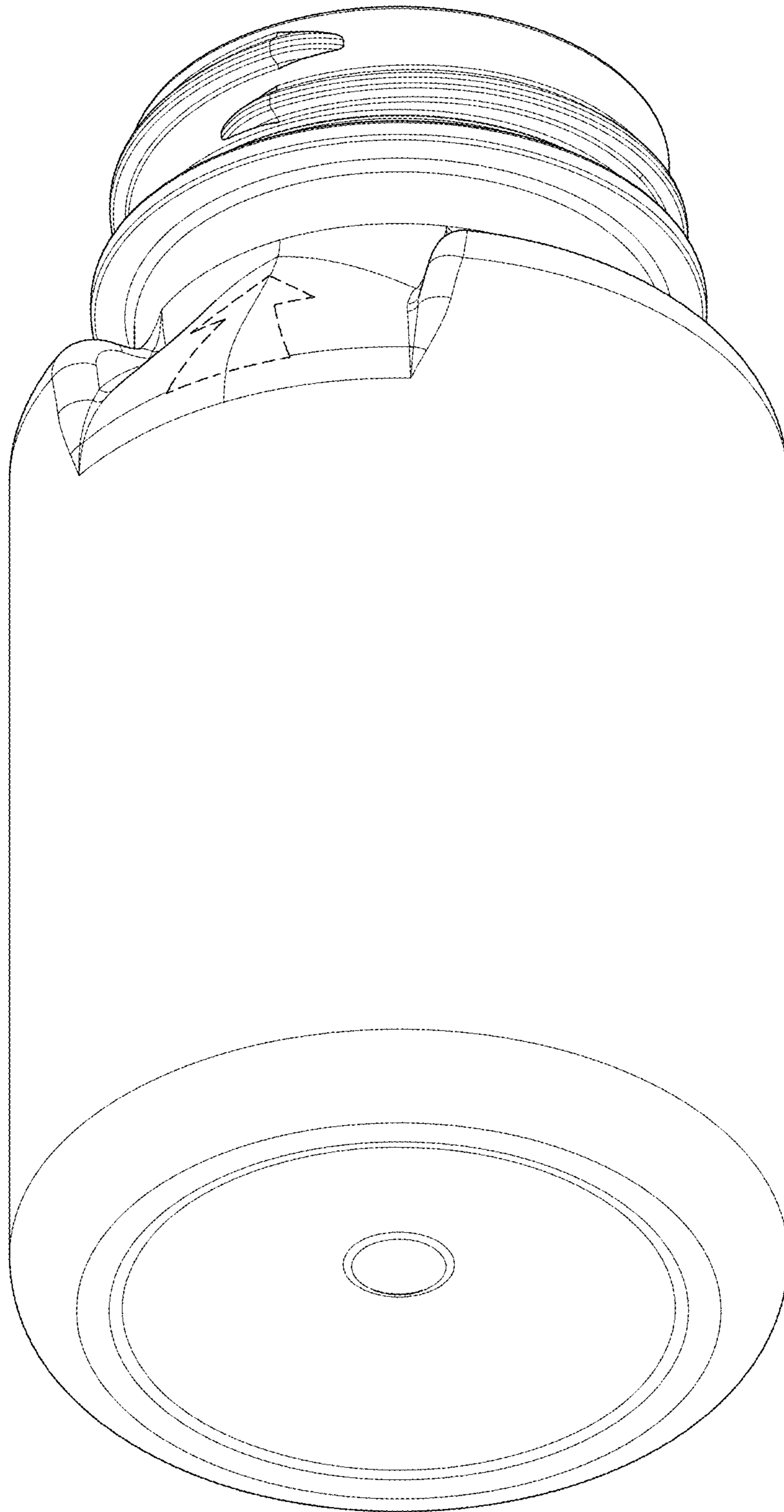
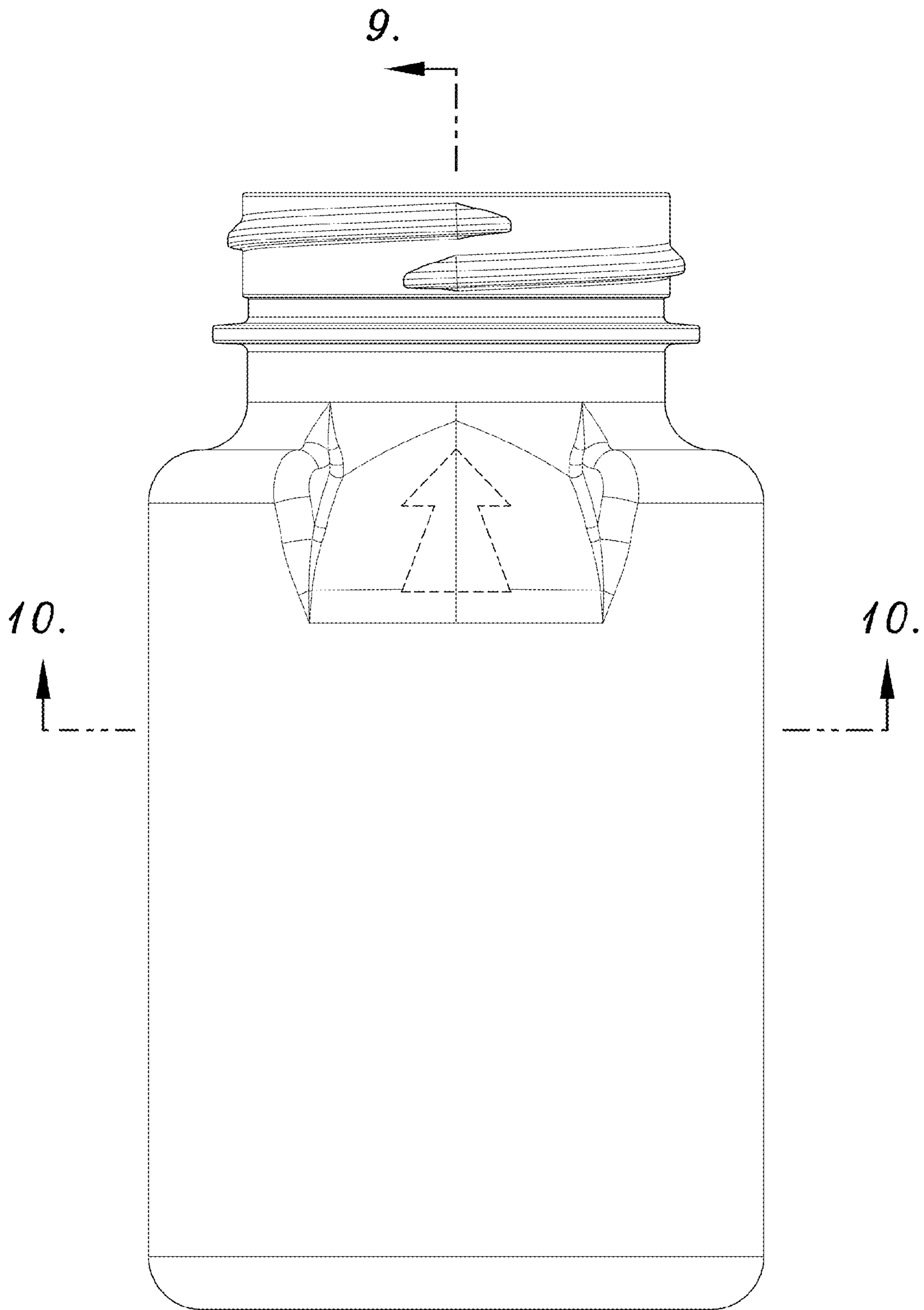
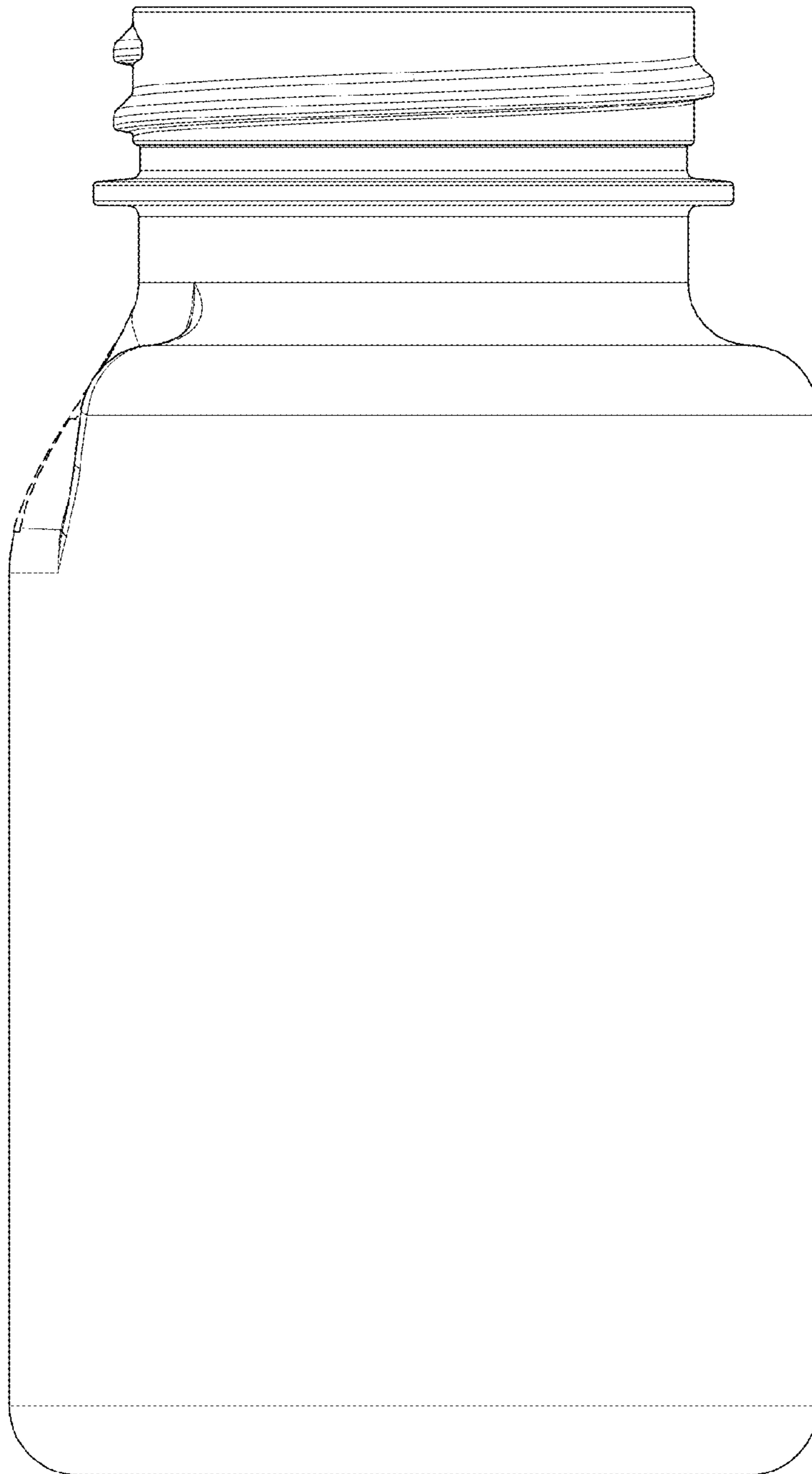
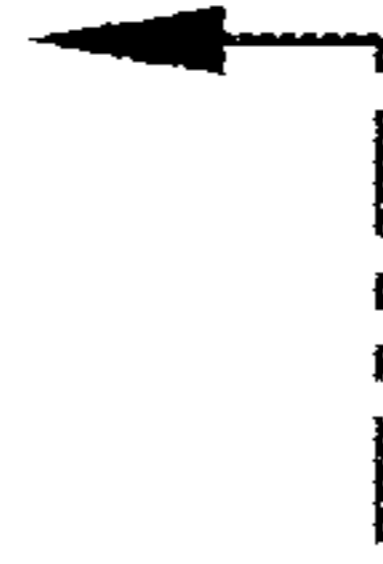


Fig. 2.



9. *Fig. 3.*

8, 11, 12



8, 11, 12

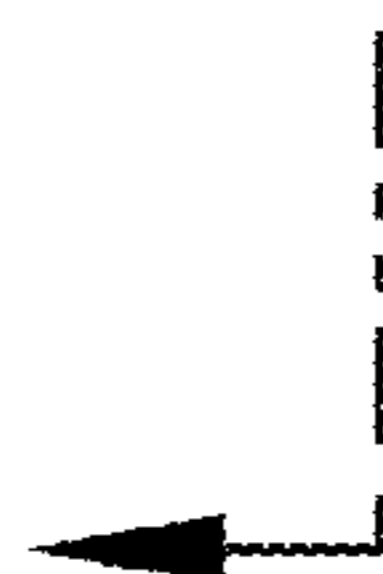


Fig. 4.

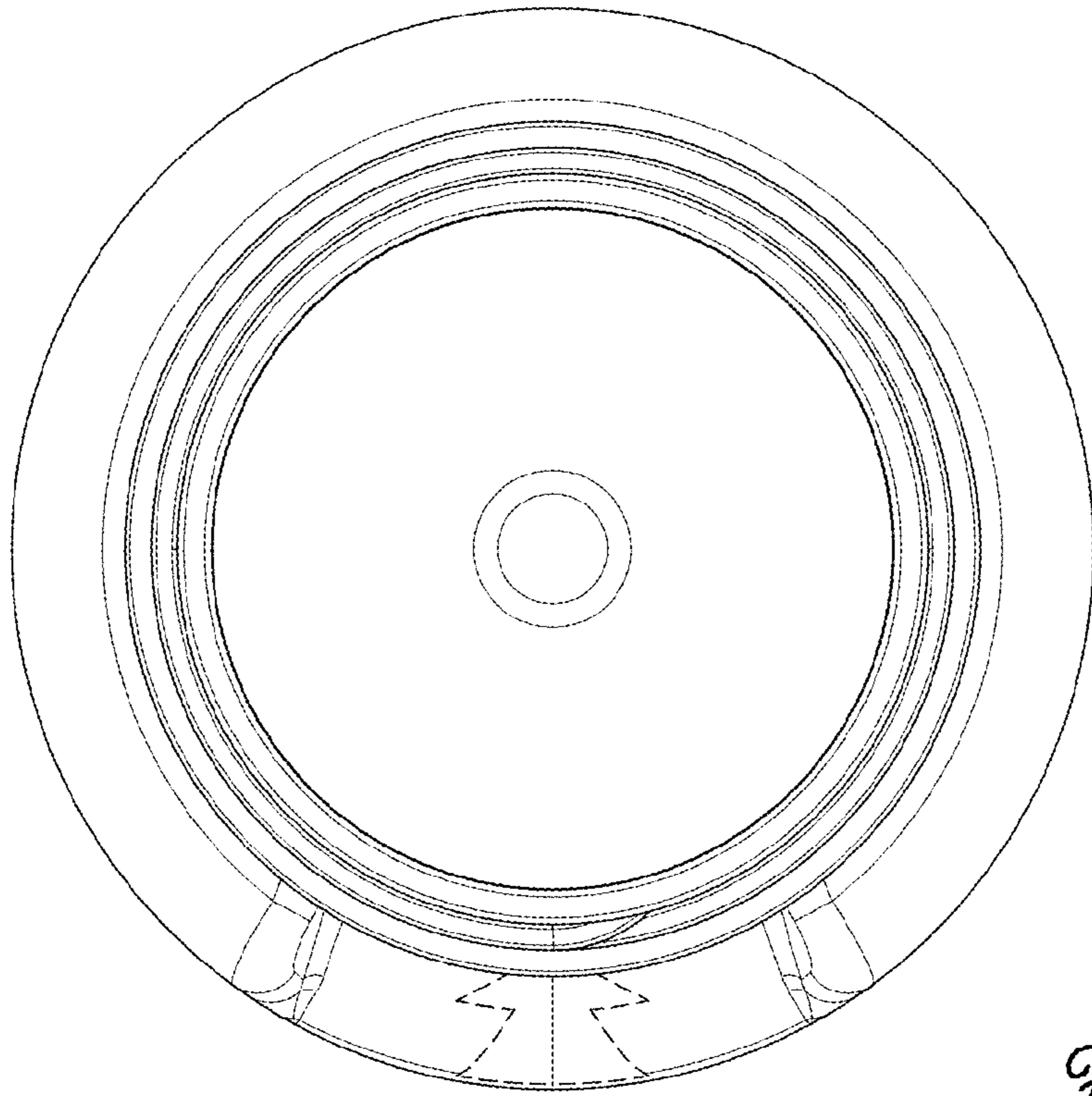


Fig. 5.

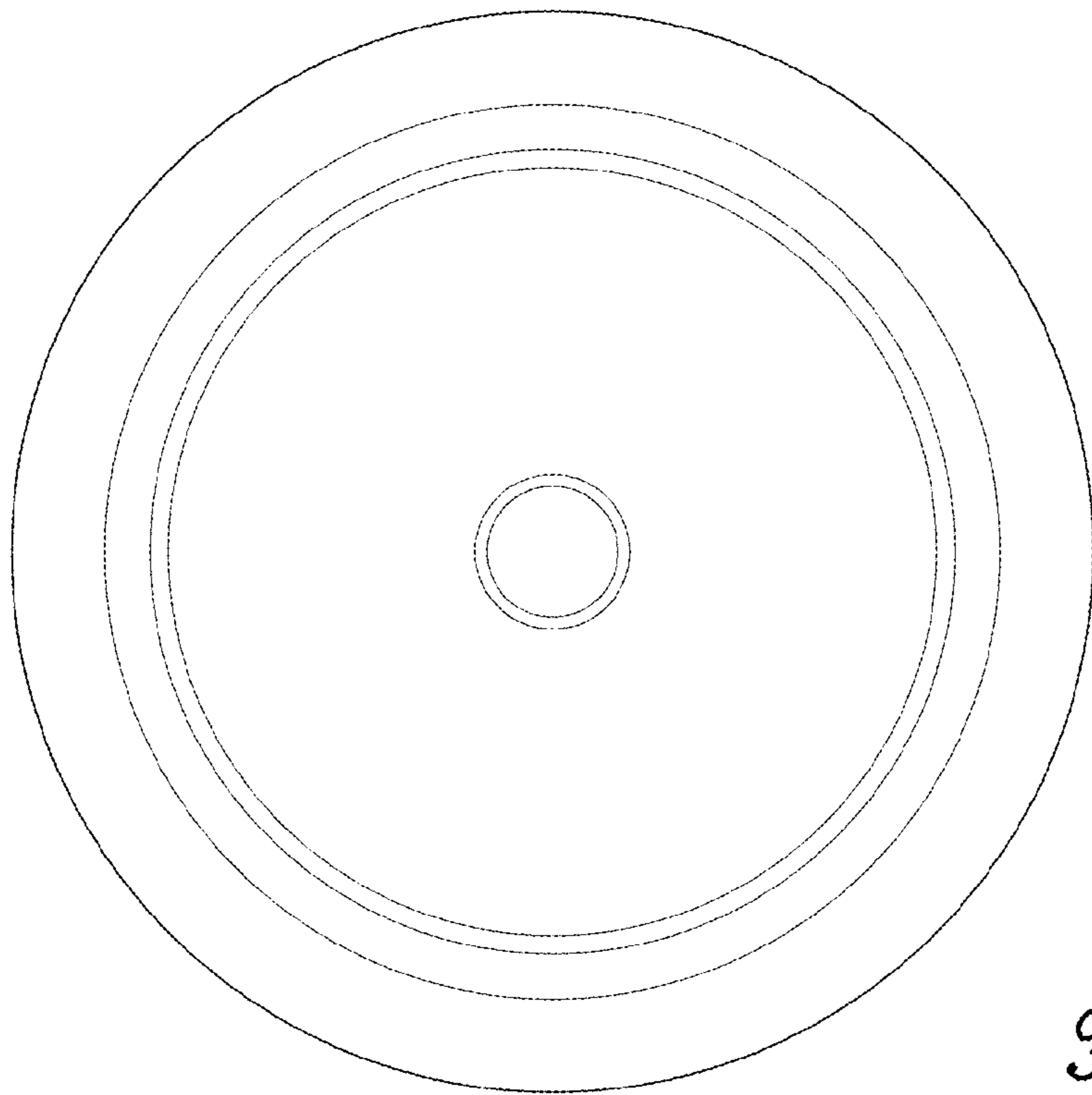


Fig. 6.

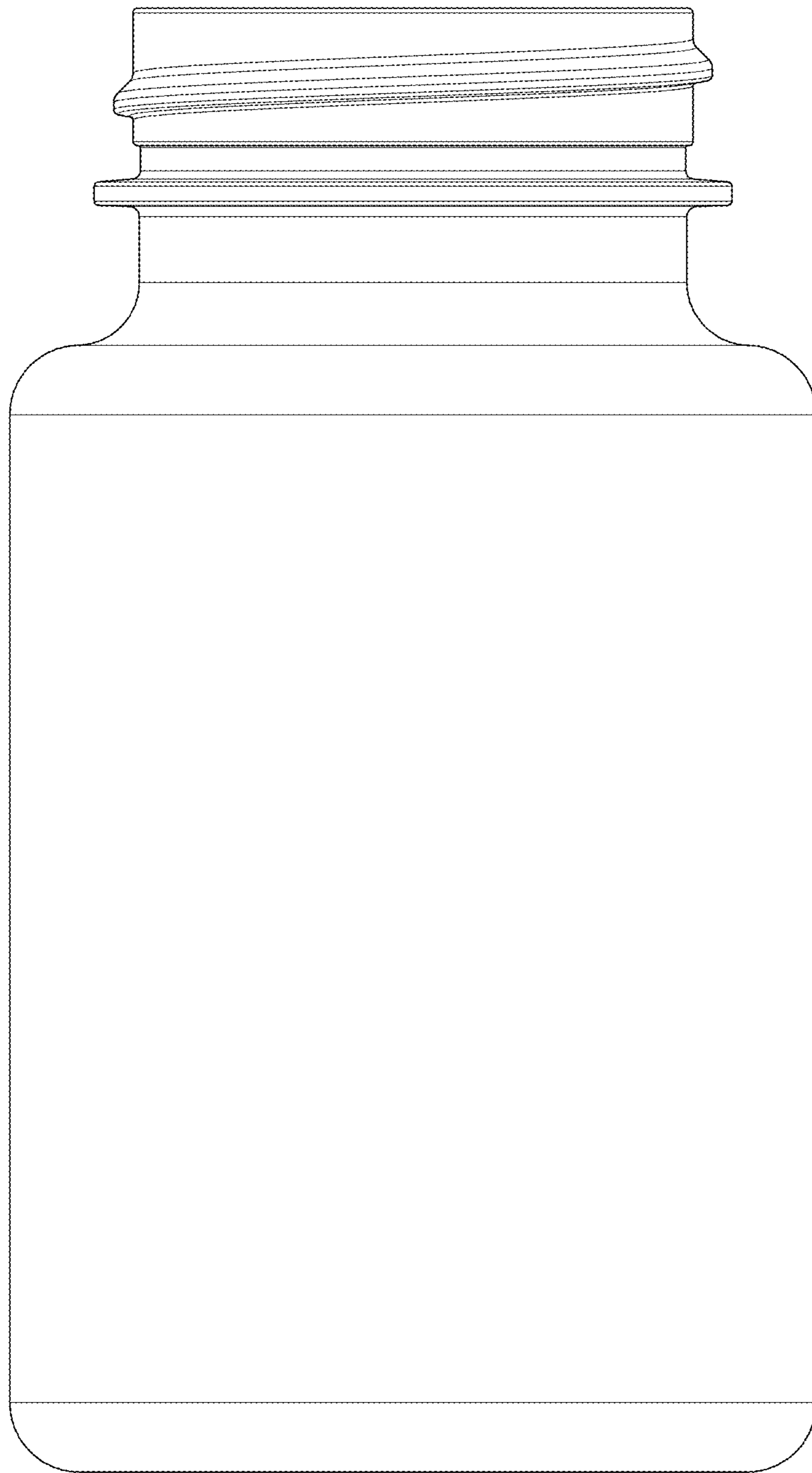


Fig. 7.

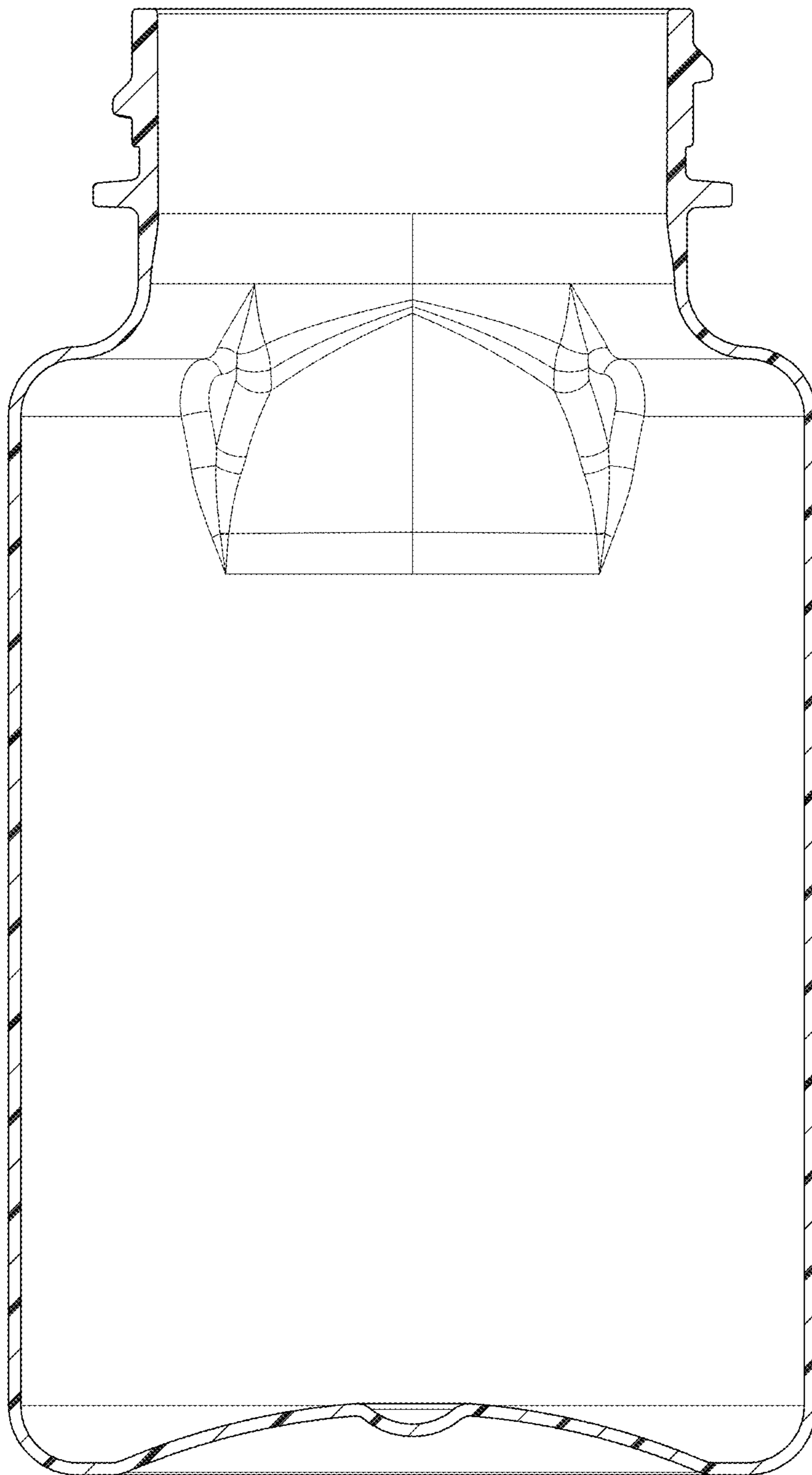


Fig. 8.

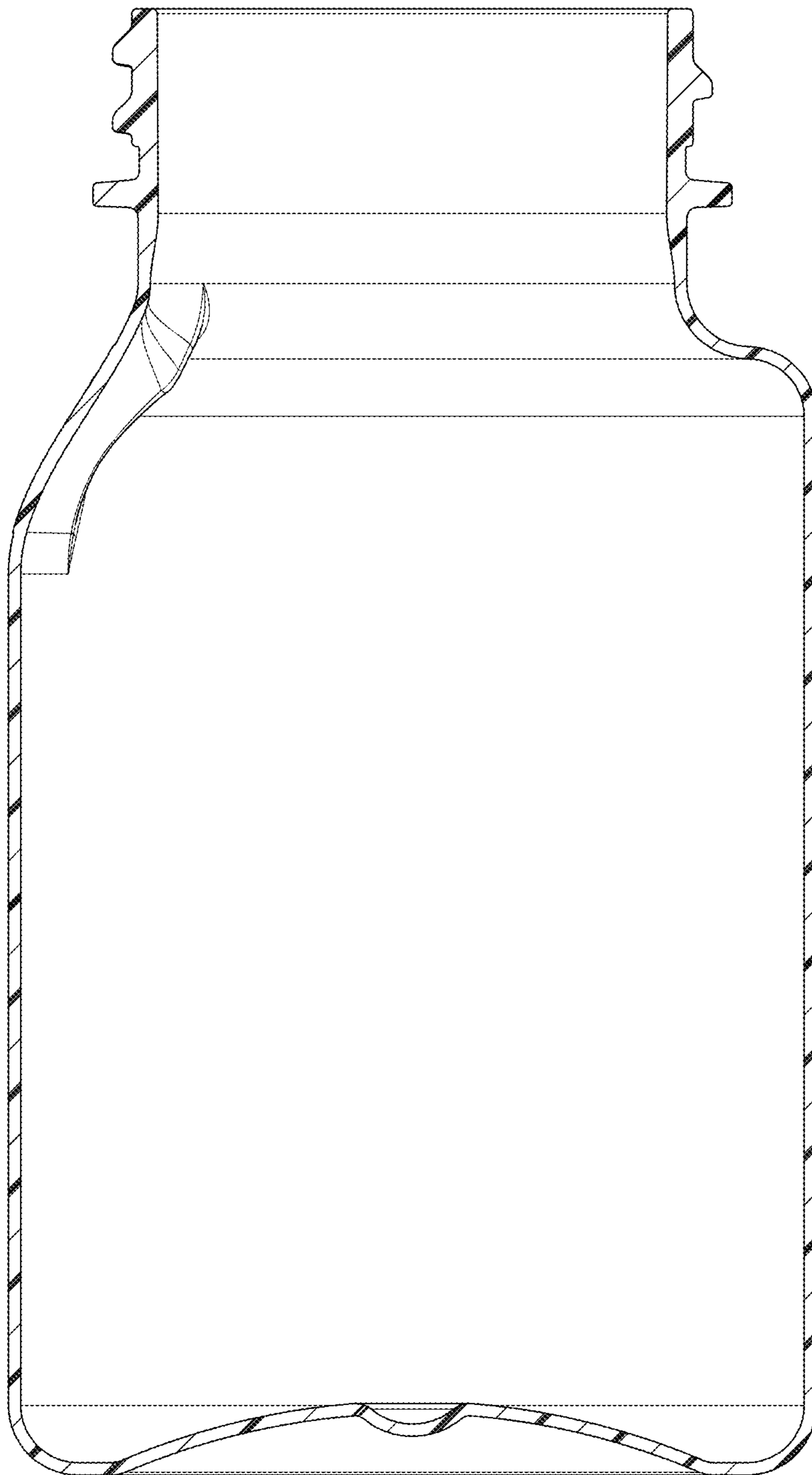


Fig. 9.

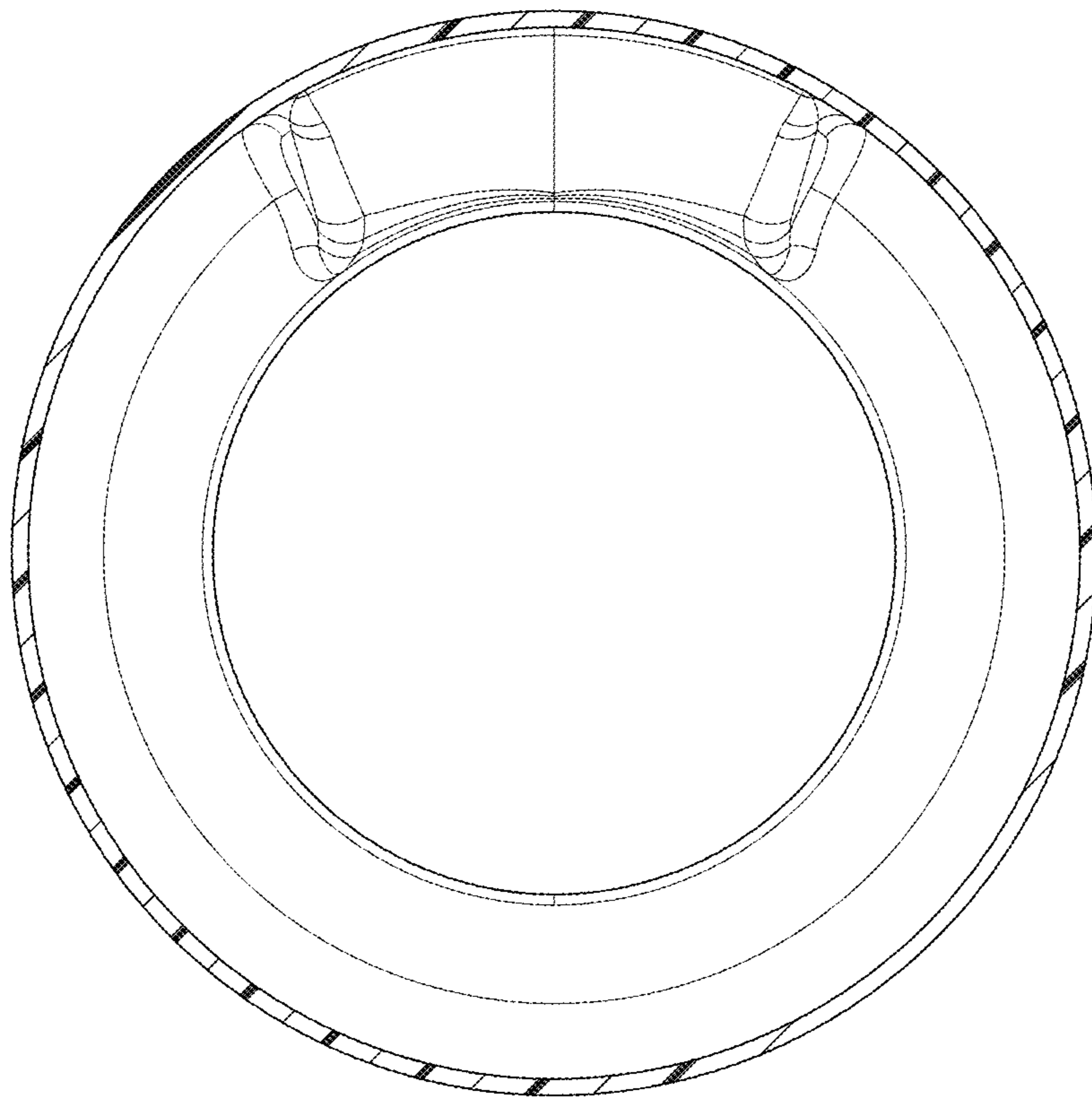


Fig. 10.

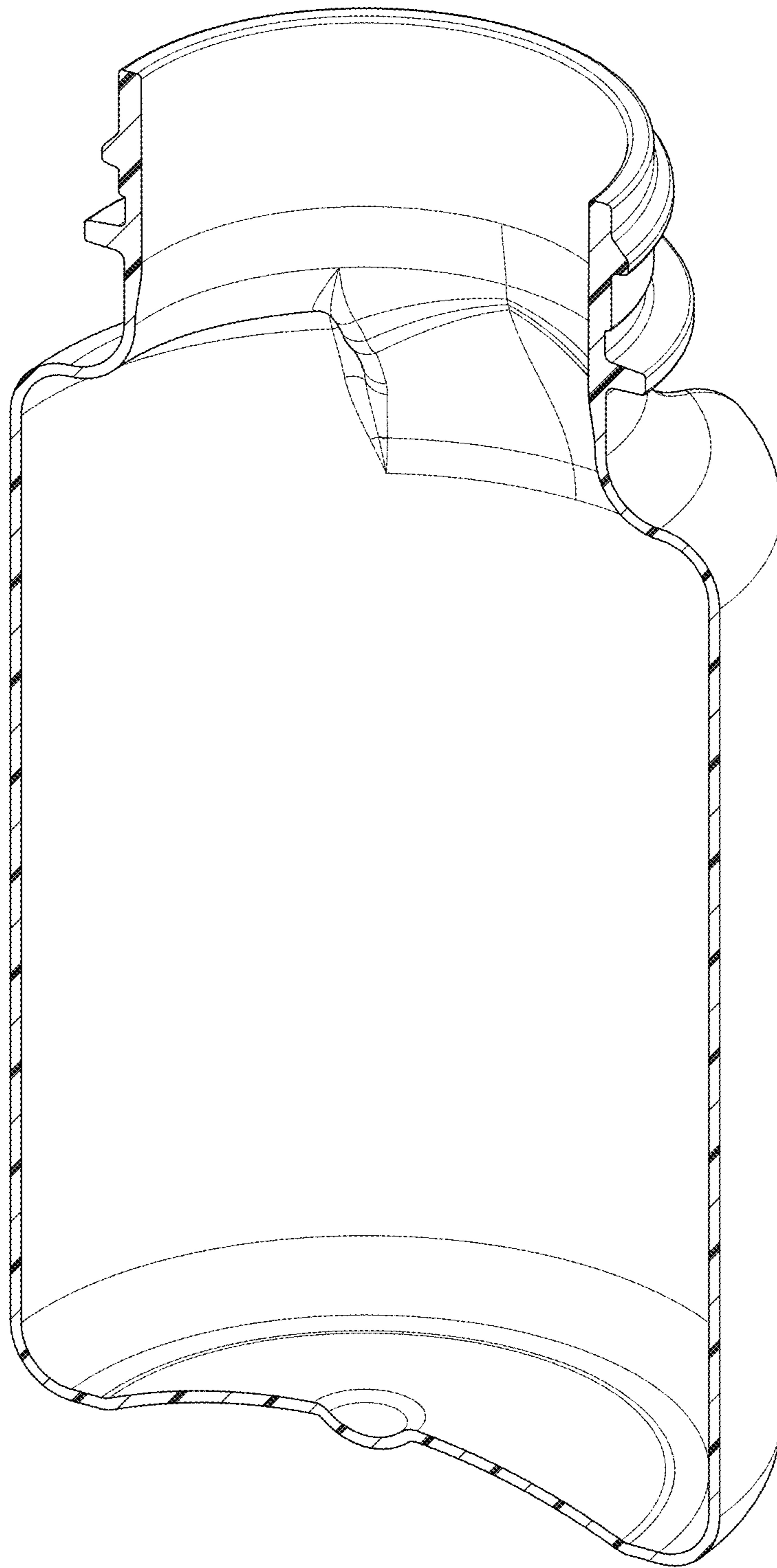


Fig. 11.

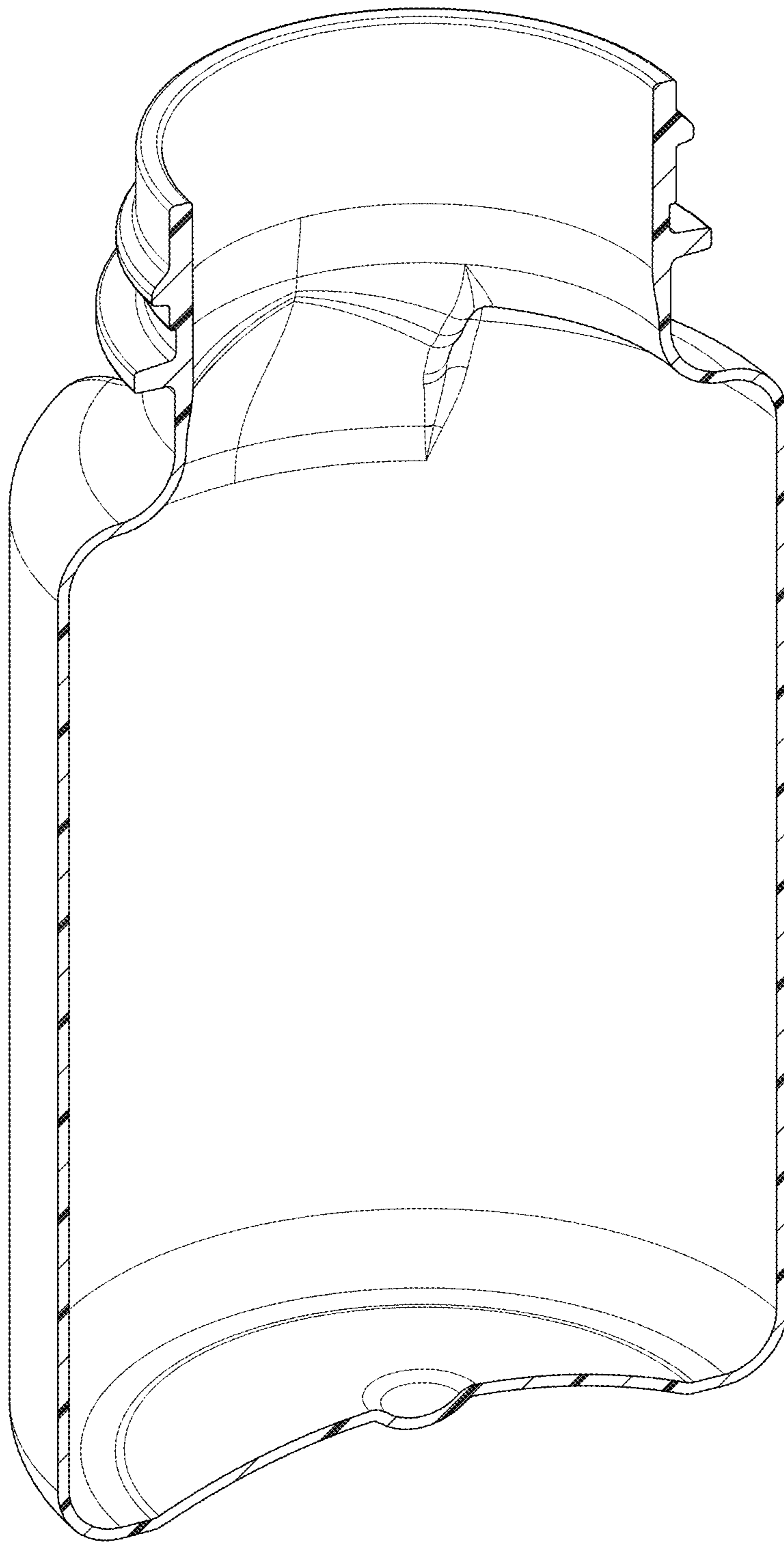


Fig. 12.