



US00D964177S

(12) **United States Design Patent** (10) **Patent No.:** **US D964,177 S**
Shen (45) **Date of Patent:** **** Sep. 20, 2022**

(54) **PERFUME BOTTLE**
(71) Applicant: **Uni President Glass Industrial Co., Ltd.**, Tainan (TW)
(72) Inventor: **Chang Yen Shen**, Tainan (TW)
(73) Assignee: **Uni President Glass Industrial Co., Ltd.**, Tainan (TW)

D454,628 S * 3/2002 Basaganas D23/366
D478,512 S * 8/2003 Duston D9/575
D499,652 S * 12/2004 Mansau D9/551
D541,663 S * 5/2007 Sorensen D9/558
D570,704 S * 6/2008 Boudard D9/682
D642,927 S * 8/2011 Foster D9/558
D871,226 S * 12/2019 Meeker D9/563
D889,994 S * 7/2020 Daniels D9/724

(**) Term: **15 Years**
(21) Appl. No.: **29/763,030**

FOREIGN PATENT DOCUMENTS
CN 201430116556 * 10/2014

(22) Filed: **Dec. 21, 2020**
(51) **LOC (13) Cl.** **09-01**
(52) **U.S. Cl.**
USPC **D9/570**
(58) **Field of Classification Search**
USPC D9/434, 435, 447, 454, 499, 500, 516,
D9/520, 521, 525, 529, 544, 549-558,
D9/572, 575, 723-724, 569, 570, 574;
D3/202, 215, 316; D7/509, 510, 590,
D7/608
CPC B65D 35/28; B65D 35/04; B65D 35/08;
B65D 35/36; B65D 35/38; B65D 5/001;
B65D 2543/00296; B65D 2543/00685;
B65D 2543/00555; B65D 79/005; B65D
25/42; B65D 1/04; B65D 21/0231; B65D
81/3205; B65D 1/40; B65D 51/18; A01K
27/00

OTHER PUBLICATIONS
Lalique Crystal Perfume Bottle Iconic Deux Fleurs 'Two Flowers'.
Online, published date unknown. Retrieved on May 1, 2022 from
URL: https://www.1stdibs.com/furniture/decorative-objects/vases-vessels/bottles/lalique-crystal-perfume-bottle-iconic-deux-fleurs-two-flowers/id-f_13497162/.*

* cited by examiner
Primary Examiner — Omeed Agilee
(74) *Attorney, Agent, or Firm* — Saidman DesignLaw
Group, LLC

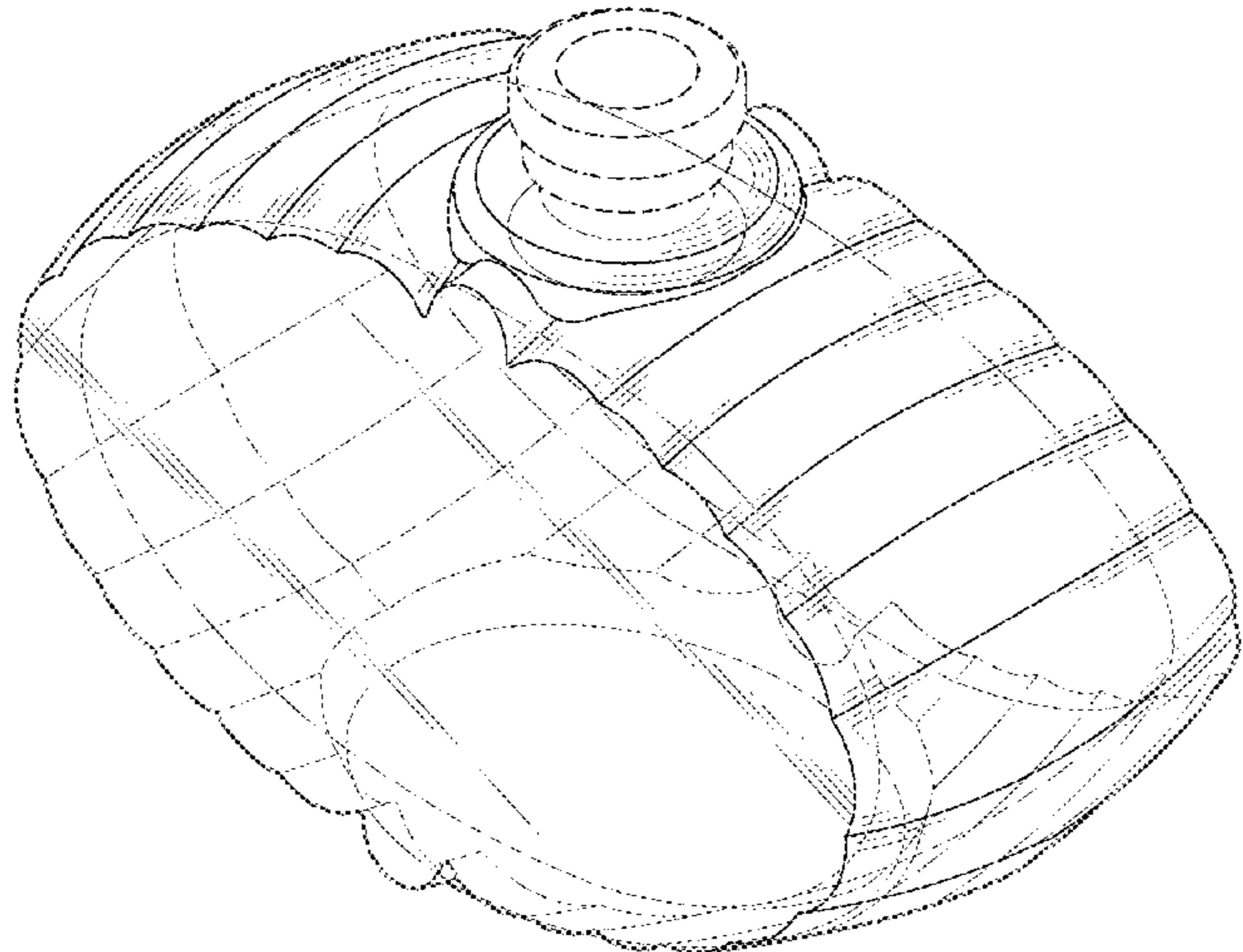
See application file for complete search history.

(56) **References Cited**
U.S. PATENT DOCUMENTS
D108,451 S * 2/1938 Lloyd D9/570
D109,848 S * 5/1938 Lorenzen D9/563
D213,307 S * 2/1969 Kneapler D9/558
D278,209 S * 4/1985 Dinand D9/544
D285,053 S * 8/1986 Marchetti D9/439
D304,552 S * 11/1989 Lippman D9/521
D354,442 S * 1/1995 Hotton D9/523
D386,974 S * 12/1997 Wefler D9/574
D428,579 S * 7/2000 Waitzenegger D9/544

(57) **CLAIM**
The ornamental design for a perfume bottle, as shown and described.

DESCRIPTION
FIG. 1 is a top, front perspective view of a perfume bottle showing my new design;
FIG. 2 is a front view thereof;
FIG. 3 is a rear view thereof;
FIG. 4 is a left side view thereof;
FIG. 5 is a right side view thereof;
FIG. 6 is a top view thereof; and,
FIG. 7 is a bottom view thereof.
The broken lines in the drawings depict portions of the perfume bottle that form no part of the claimed design.

1 Claim, 7 Drawing Sheets



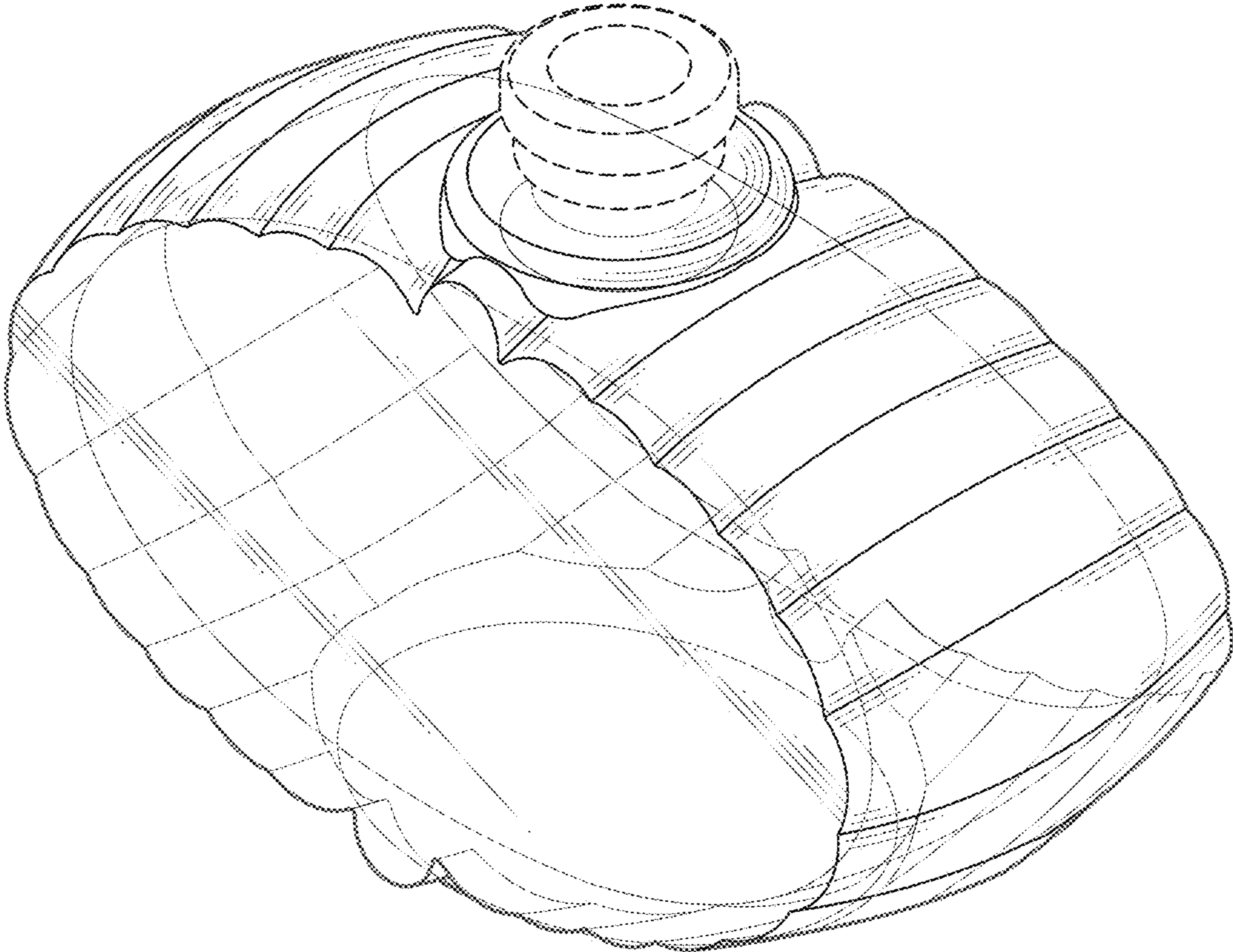


FIG. 1

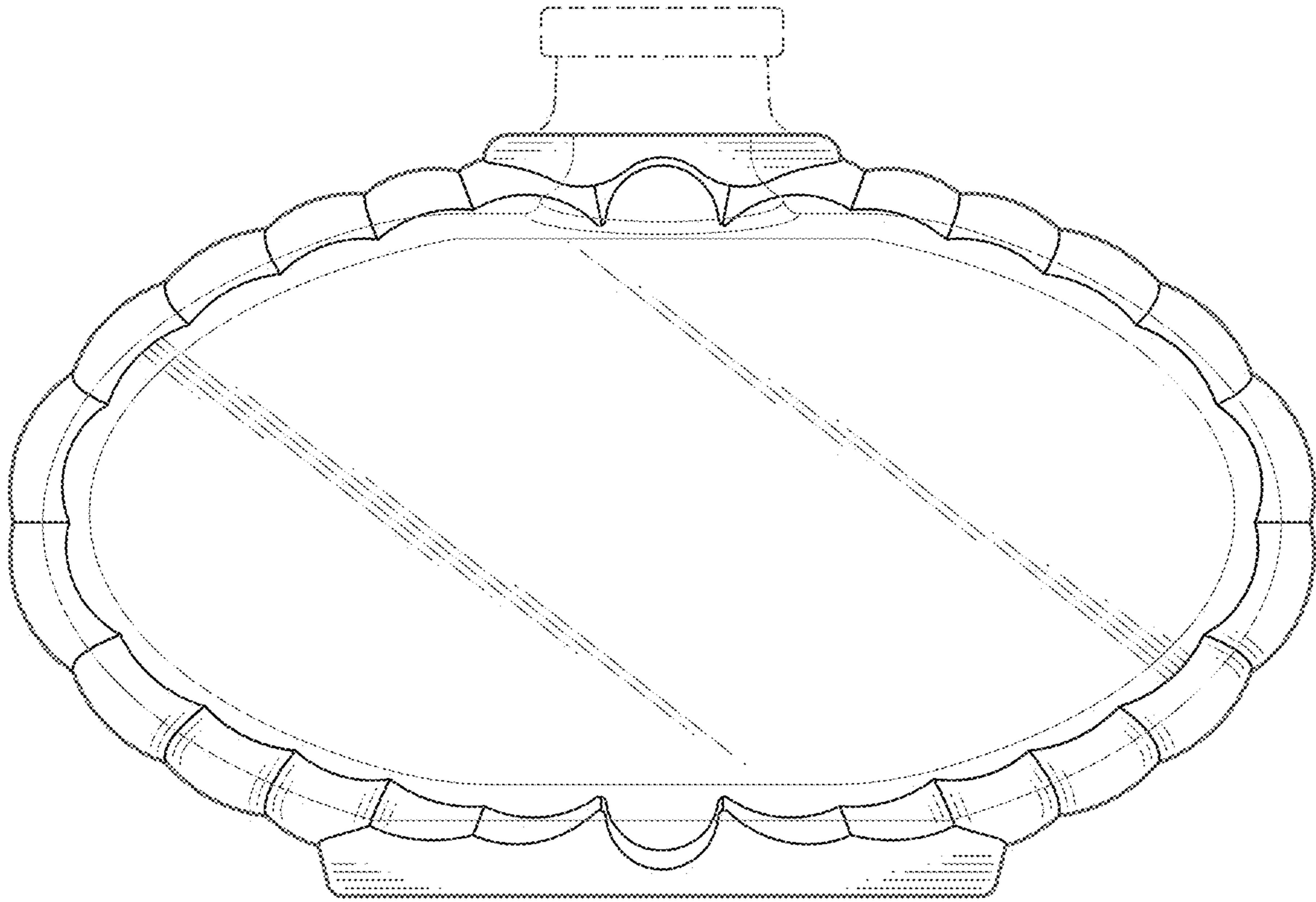


FIG. 2

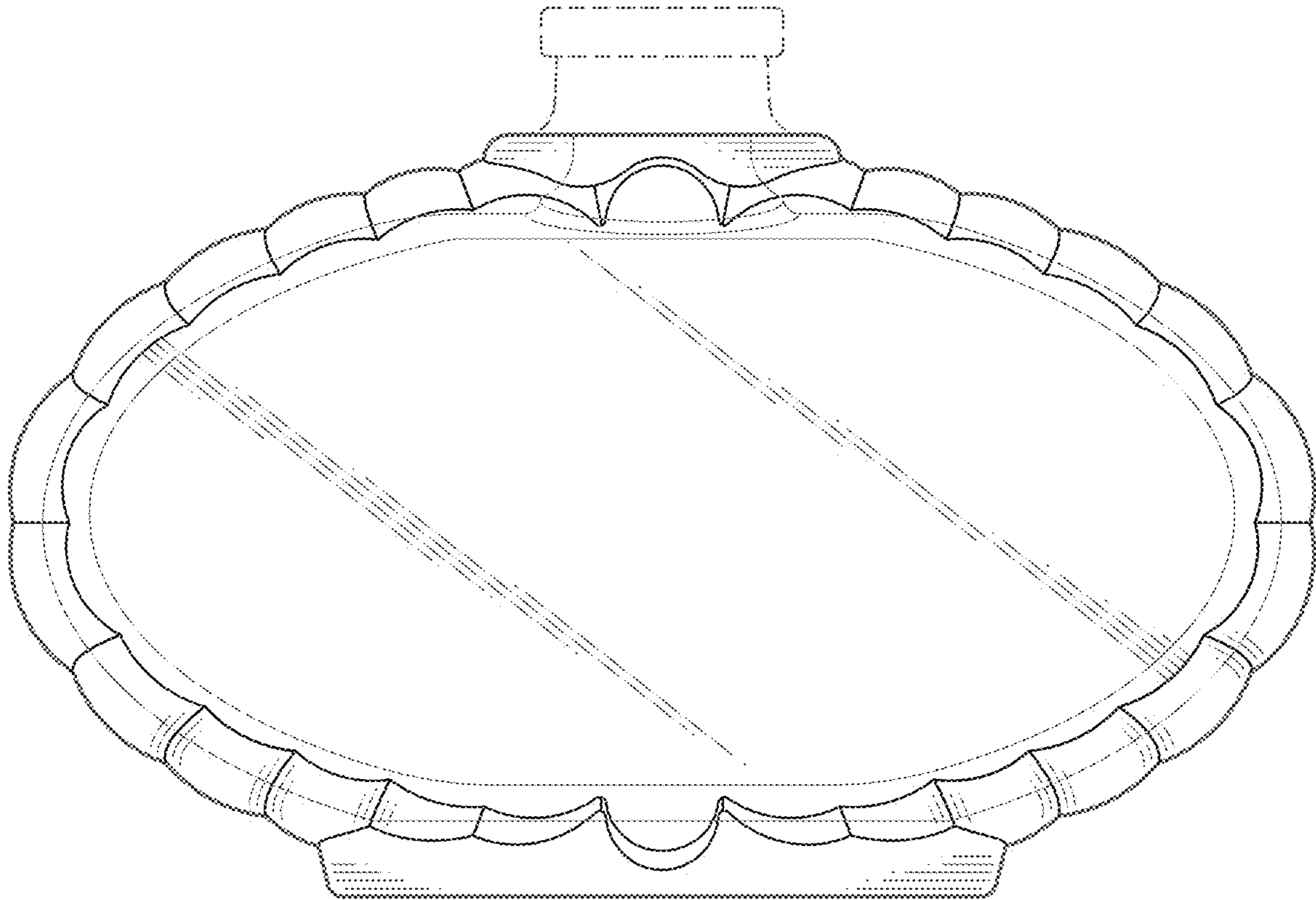


FIG. 3

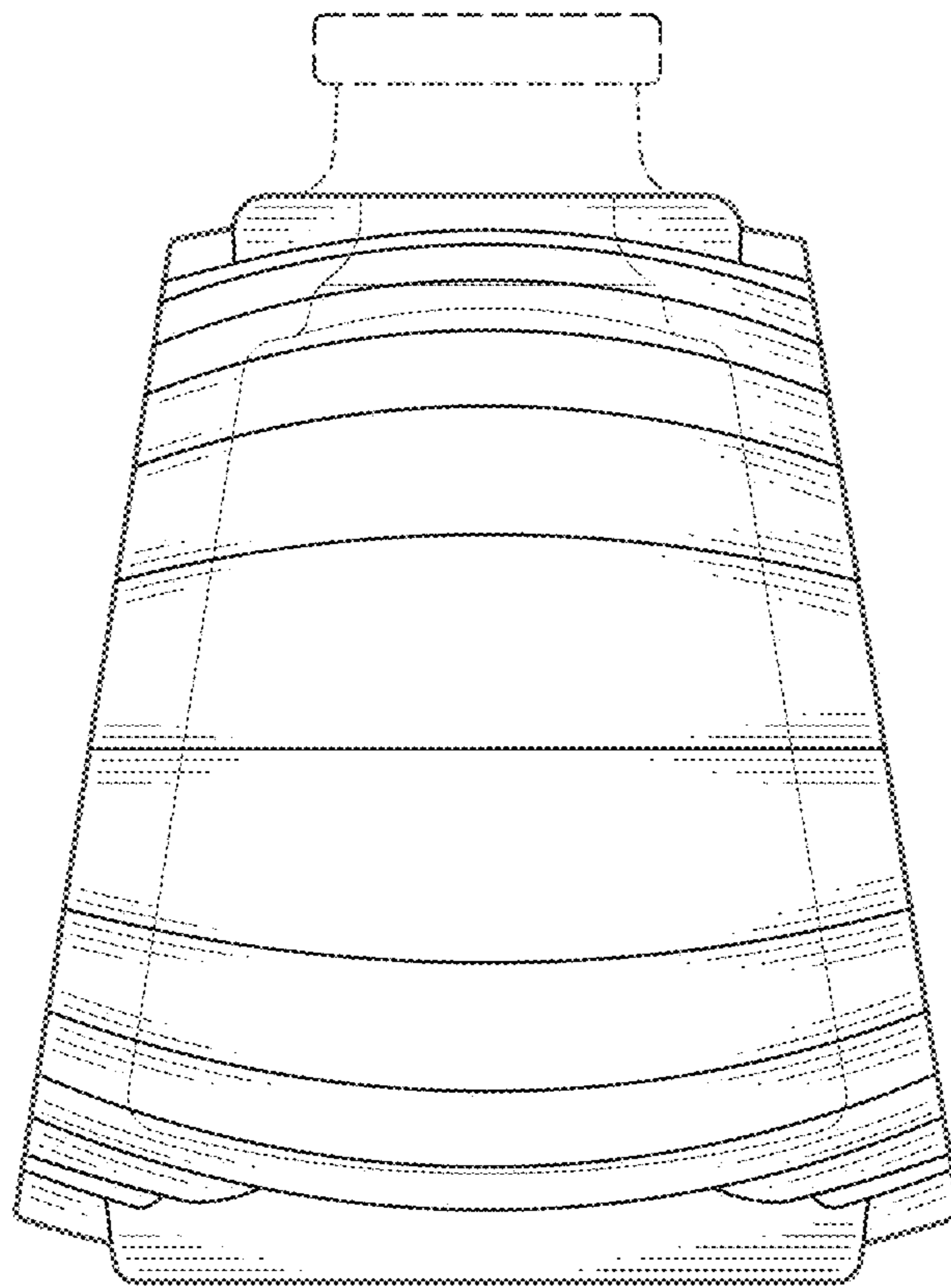


FIG. 4

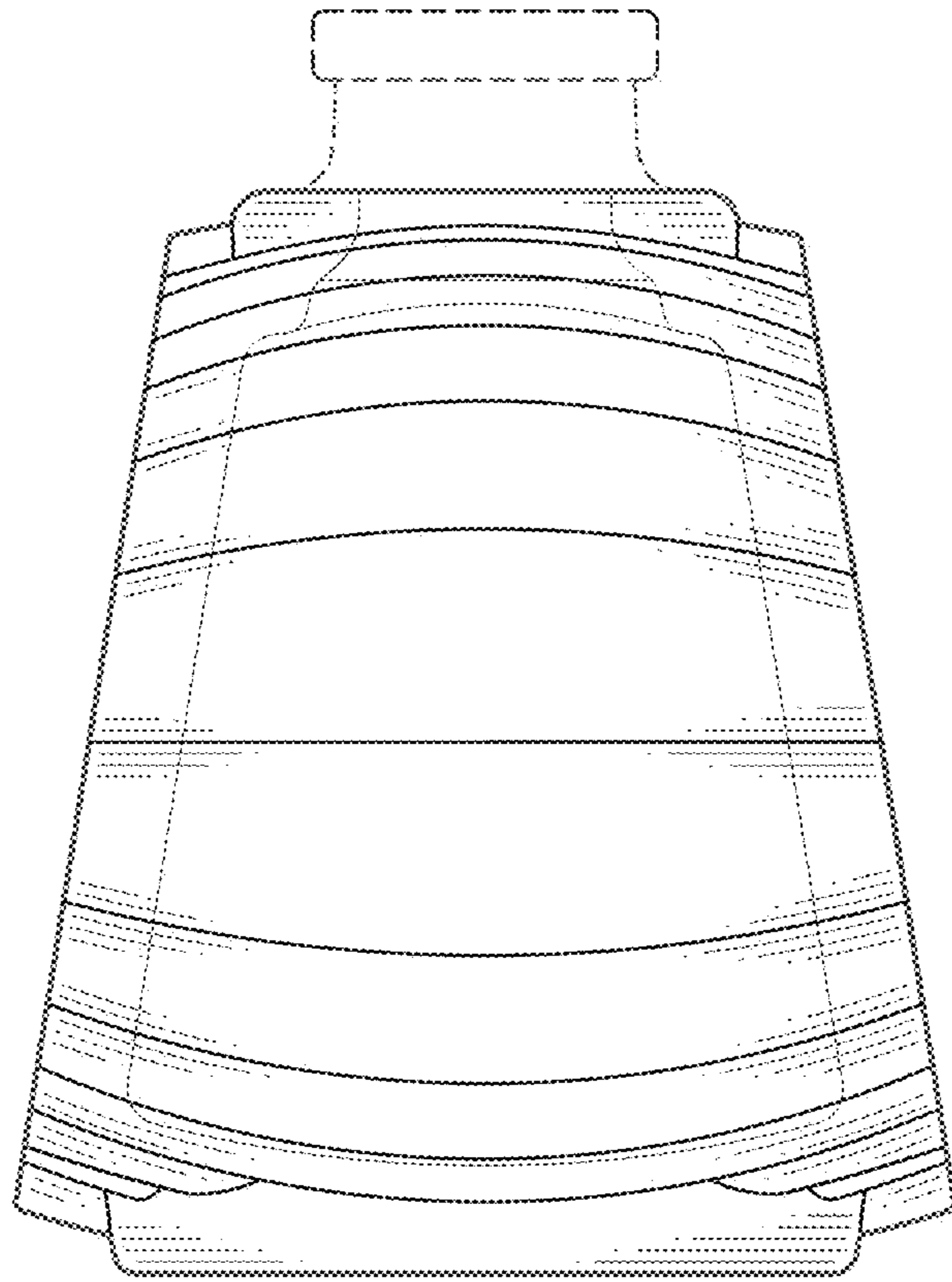


FIG. 5

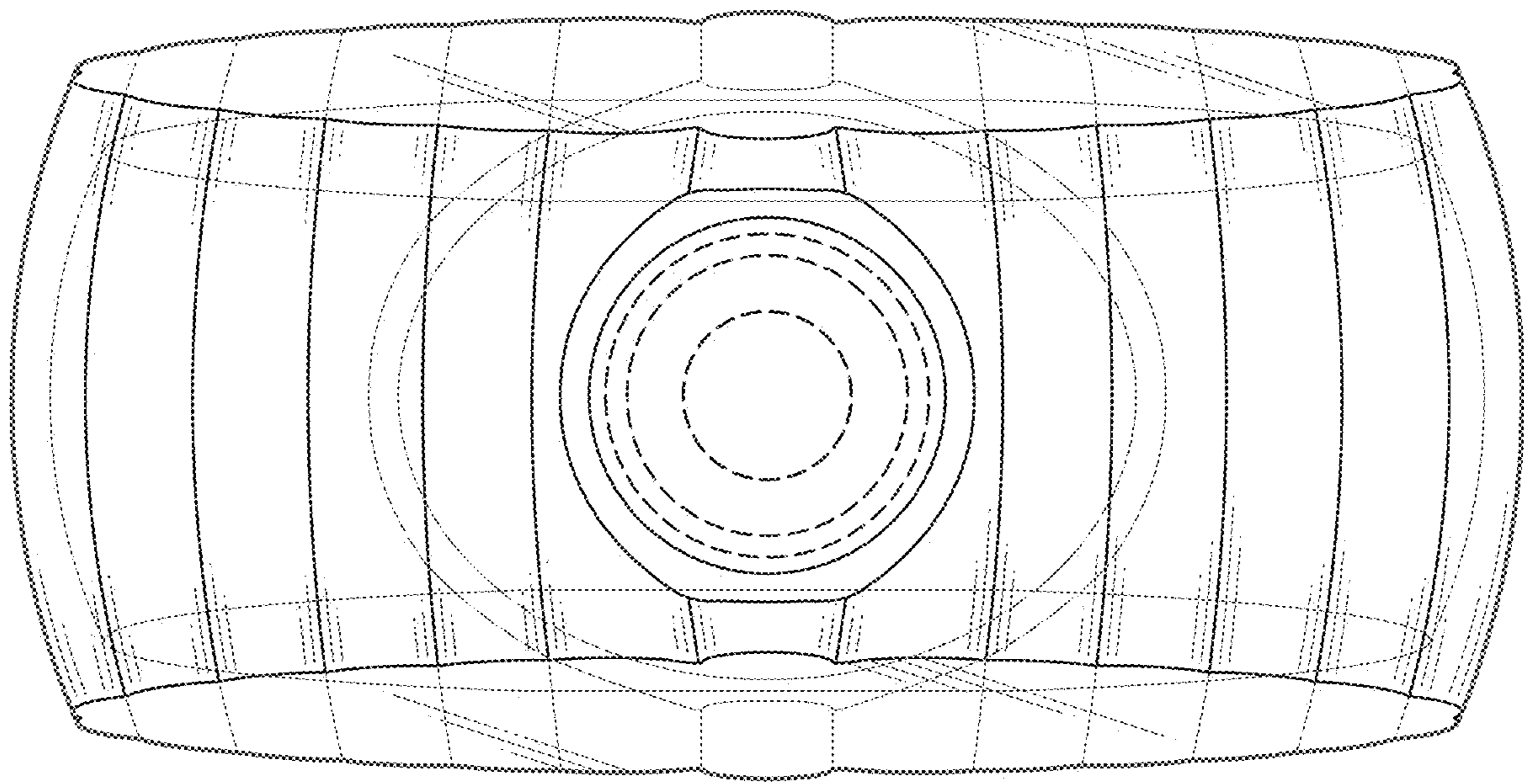


FIG. 6

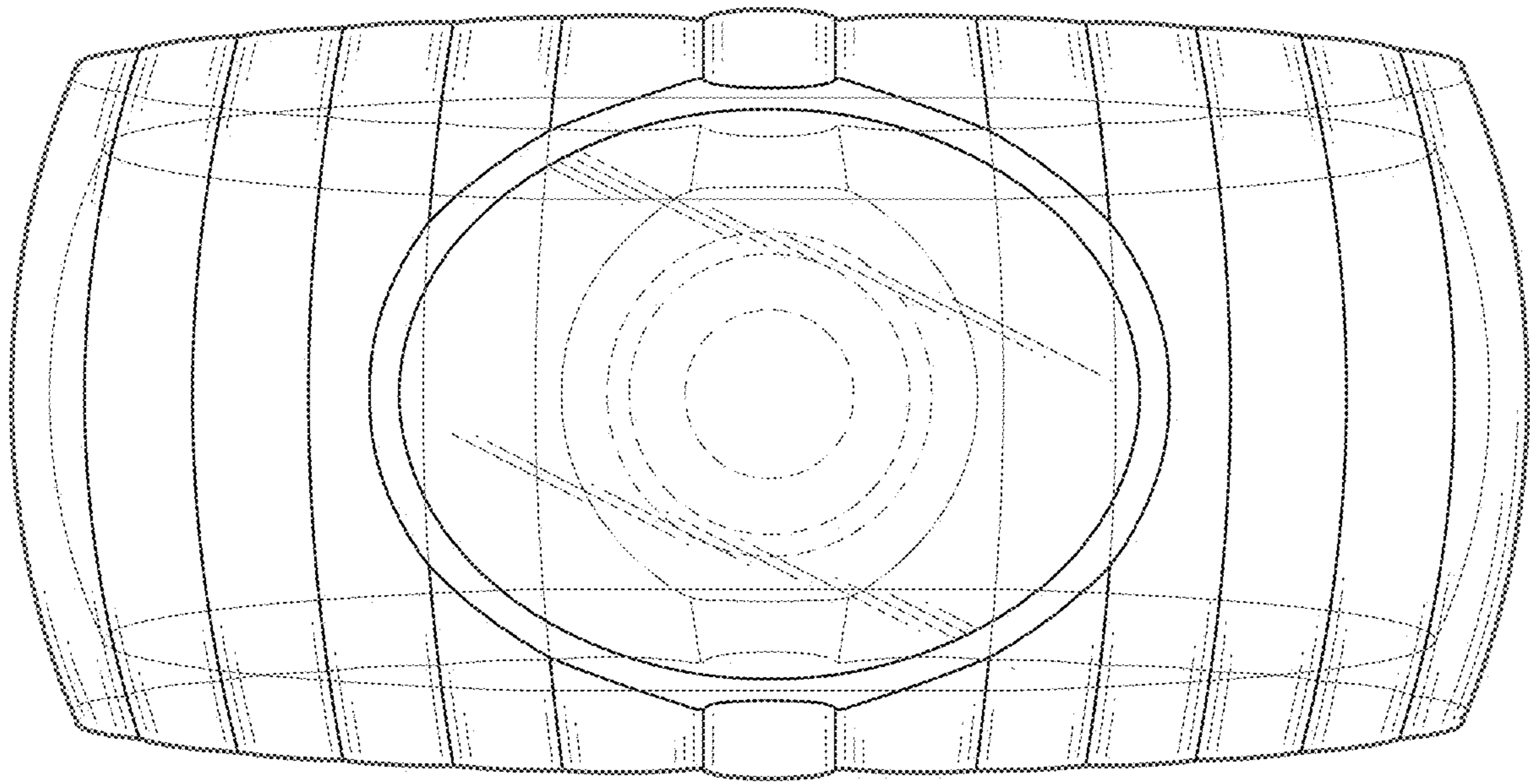


FIG. 7